

EXPLODED VIEW & PARTS LISTING

Air Operated Double Diaphragm Pump

Model: NDP-50BV-PP
Kynar Series



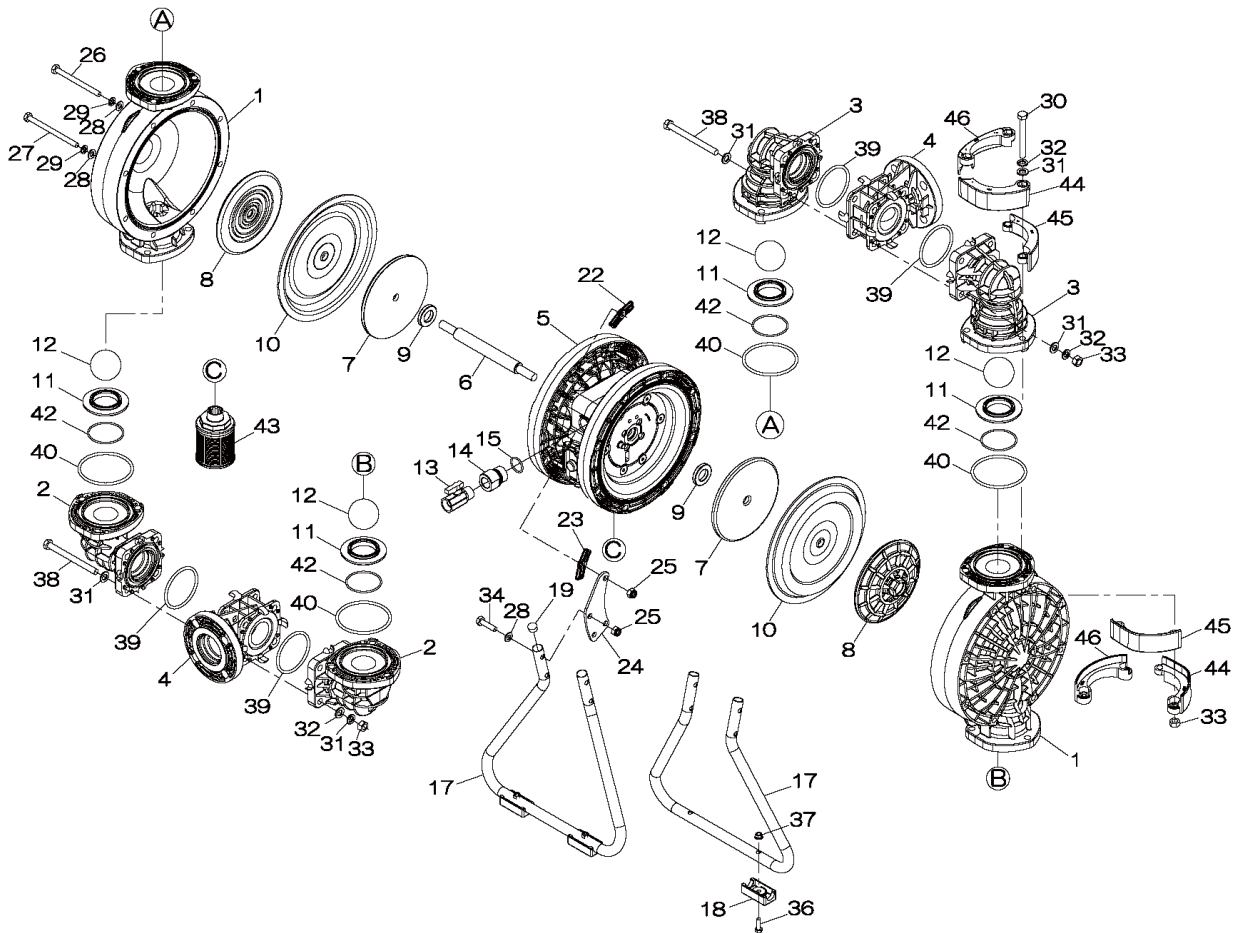
To Purchase:

- ☎ 800-990-7867
- ✉ sales@yamadapump.com
- 📍 Find My Rep

More Information:

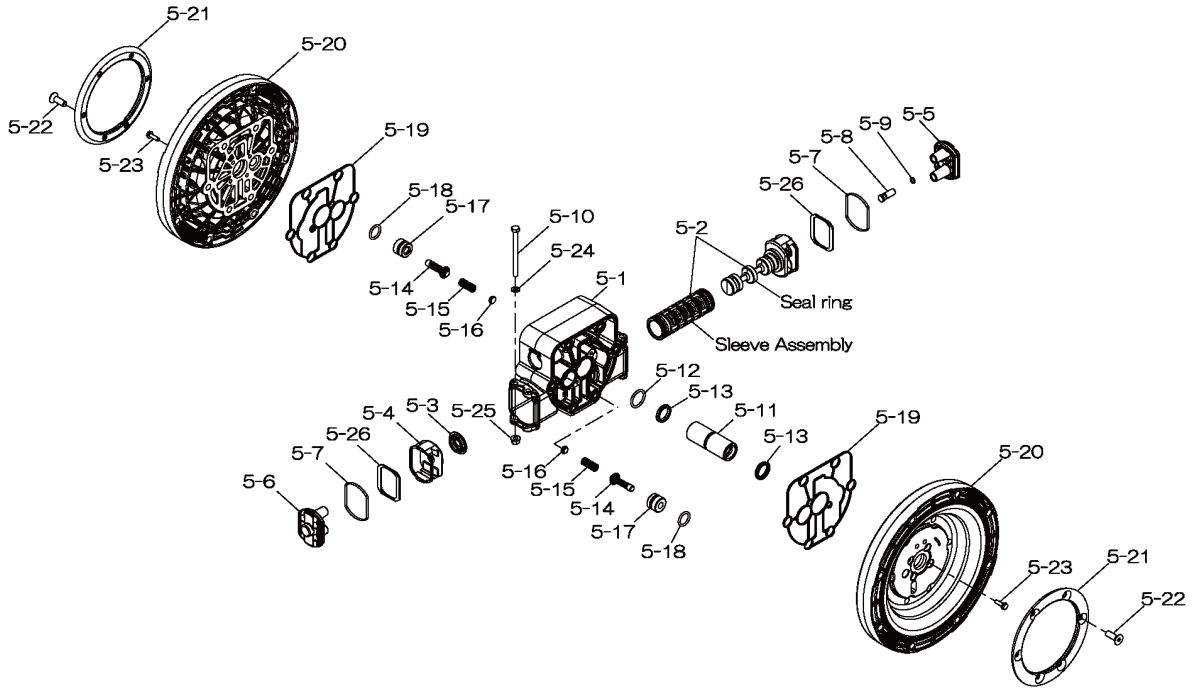
- ▶ YouTube: @yamadapump
- 🌐 yamadapump.com
- Data Sheets | CAD Drawings | Manuals Literature | BOM | Performance Curves*

Trial Program



Air Operated Double Diaphragm Pump

805073 Center Body Assembly



Air Operated Double Diaphragm Pump

| | NDP-50BVE-PP | NDP-50BVV-PP | NDP-50BVH-PP | NDP-50BVS-PP | | | |
|----------|---------------|---------------|---------------|---------------|-------------------------------|------|---------|
| REF. No. | PARTS No. | PARTS No. | PARTS No. | PARTS No. | DESCRIPTION | QTY. | REORDER |
| 1 | 780153 | 780153 | 780153 | 780153 | OUT CHAMBER 50PVDF-2 | 2 | |
| 2 | 780252 | 780252 | 780252 | 780252 | IN MANIFOLD 50PVDF | 2 | |
| 3 | 780154 | 780154 | 780154 | 780154 | OUT MANIFOLD 50PVDF-2 | 2 | |
| 4 | 780115 | 780115 | 780115 | 780115 | CENTER MANIFOLD 50PVDF | 2 | |
| 5 | 805073 | 805073 | 805073 | 805073 | CENTER BODY ASSY 50-PP | 1 | |
| 5- 1 | 833121 | 833121 | 833121 | 833121 | VALVE BODY ASSY (NPT) | 1 | |
| 5- 2 | 805063 | 805063 | 805063 | 805063 | C SPOOL ASSY (NDP-P) | 1 | |
| 5- 3 | 771923 | 771923 | 771923 | 771923 | CUSHION | 1 | |
| 5- 4 | 771735 | 771735 | 771735 | 771735 | SPRING RETAINER 40/50/ | 1 | |
| 5- 5 | 773249 | 773249 | 773249 | 773249 | CAP A | 1 | |
| 5- 6 | 773250 | 773250 | 773250 | 773250 | CAP B | 1 | |
| 5- 7 | 773252 | 773252 | 773252 | 773252 | GASKET B | 2 | |
| 5- 8 | 773259 | 773259 | 773259 | 773259 | RESET BUTTON | 1 | |
| 5- 9 | 640005 | 640005 | 640005 | 640005 | O RING | 1 | |
| 5-10 | 621167 | 621167 | 621167 | 621167 | BOLT | 4 | |
| 5-11 | 773253 | 773253 | 773253 | 773253 | THROAT BEARING | 1 | |
| 5-12 | 640027 | 640027 | 640027 | 640027 | O RING | 1 | |
| 5-13 | 685444 | 685444 | 685444 | 685444 | V-PACKING | 2 | |
| 5-14 | 832162 | 832162 | 832162 | 832162 | PILOT VALVE ASSY | 2 | |
| 5-15 | 711937 | 711937 | 711937 | 711937 | PILOT VALVE SPRING | 2 | |
| 5-16 | 773257 | 773257 | 773257 | 773257 | SPRING SEAT | 2 | |
| 5-17 | 773254 | 773254 | 773254 | 773254 | VALVE SEAT | 2 | |
| 5-18 | 640020 | 640020 | 640020 | 640020 | O RING | 2 | |
| 5-19 | 773251 | 773251 | 773251 | 773251 | GASKET A | 2 | |
| 5-20 | 780294 | 780294 | 780294 | 780294 | AIR CHAMBER | 2 | |
| 5-21 | 717073 | 717073 | 717073 | 717073 | REINFORCING PLATE | 2 | |
| 5-22 | 686748 | 686748 | 686748 | 686748 | BOLT HEX.SOCKET | 12 | |
| 5-23 | 686747 | 686747 | 686747 | 686747 | TAPPING SCREW | 8 | |
| 5-24 | 631173 | 631173 | 631173 | 631173 | WASHER | 4 | |
| 5-25 | 686783 | 686783 | 686783 | 686783 | CUP NUT | 4 | |
| 5-26 | 773334 | 773334 | 773334 | 773334 | SPACER | 2 | |
| 5-27 | 773258 | 773258 | 773258 | 773258 | UNION | 1 | |
| 5-28 | 640131 | 640131 | 640131 | 640131 | O RING | 1 | |
| 6 | 711900 | 711900 | 711900 | 711900 | CENTER ROD 40/50 | 1 | |
| 7 | 711905 | 711905 | 711905 | 711905 | CENTER DISK 50SS | 2 | |
| 8 | 771727 | 771727 | 771727 | 771727 | CENTER DISK 50PP-R | 2 | |
| 9 | 770582 | 770582 | 770582 | 770582 | CUSHION 40/50/80 | 2 | |
| 10 | 771856 | 771800 | 771703 | 771976 | DIAPHRAGM 50 | 2 | |
| 11 | 772097 | 772097 | 772097 | 772097 | VALVE SEAT 50PP-2 | 4 | |
| 12 | 770633 | 770636 | 773143 | 773173 | BALL 50 -63MM | 4 | |
| 13 | 684322 | 684322 | 684322 | 684322 | BALL VALVE | 1 | |
| 14 | 773258 | 773258 | 773258 | 773258 | UNION | 1 | |
| 15 | 640131 | 640131 | 640131 | 640131 | O RING | 1 | |
| 17 | 716885 | 716885 | 716885 | 716885 | STAND 50-PP | 2 | |
| 18 | 771865 | 771865 | 771865 | 771865 | FOOT RUBBER | 4 | |
| 19 | 683641 | 683641 | 683641 | 683641 | CAP 40/50/80PP STAND | 4 | |
| 22 | 716883 | 716883 | 716883 | 716883 | SUPPORTING PLATE A 50-PP | 8 | |

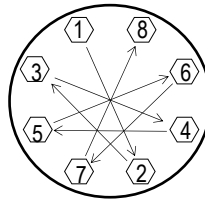
Air Operated Double Diaphragm Pump

| | NDP-50BVE-PP | NDP-50BVV-PP | NDP-50BVH-PP | NDP-50BVS-PP | | | |
|----------|--------------|--------------|--------------|--------------|--------------------------|------|---------|
| REF. No. | PARTS No. | PARTS No. | PARTS No. | PARTS No. | DESCRIPTION | QTY. | REORDER |
| 23 | 716884 | 716884 | 716884 | 716884 | SUPPORTING PLATE B 50-PP | 8 | |
| 24 | 717113 | 717113 | 717113 | 717113 | CONNECTING PLATE 50-PP | 4 | |
| 25 | 685185 | 685185 | 685185 | 685185 | LOCK NUT | 16 | |
| 26 | 686696 | 686696 | 686696 | 686696 | BOLT | 8 | |
| 27 | 686697 | 686697 | 686697 | 686697 | BOLT | 8 | |
| 28 | 631330 | 631330 | 631330 | 631330 | WASHER FLAT | 24 | |
| 29 | 680257 | 680257 | 680257 | 680257 | SPRING WASHER | 16 | |
| 30 | 621213 | 621213 | 621213 | 621213 | BOLT | 12 | |
| 31 | 631331 | 631331 | 631331 | 631331 | WASHER M12 SS FLAT | 28 | |
| 32 | 680607 | 680607 | 680607 | 680607 | SPRING WASHER | 20 | |
| 33 | 628014 | 628014 | 628014 | 628014 | NUT | 20 | |
| 34 | 621179 | 621179 | 621179 | 621179 | BOLT | 8 | |
| 36 | 621149 | 621149 | 621149 | 621149 | BOLT | 4 | |
| 37 | 683837 | 683837 | 683837 | 683837 | NUT W/ FLANGE | 4 | |
| 38 | 684592 | 684592 | 684592 | 684592 | BOLT | 8 | |
| 39 | 684121 | 642064 | 640064 | 684121 | O RING 84.3MM X 5.7MM | 4 | |
| 40 | 684122 | 642069 | 640069 | 684122 | O RING 104.3MM X 5.7MM | 4 | |
| 42 | 685448 | 642139 | 640139 | 685448 | O RING 69MM X 3MM B70 | 4 | |
| 43 | 804764 | 804764 | 804764 | 804764 | SILENCER ASSY. | 1 | |
| 44 | 771786 | 771786 | 771786 | 771786 | PROTECTOR A 50PP&PVDF | 8 | |
| 45 | 771787 | 771787 | 771787 | 771787 | PROTECTOR B 50PP&PVDF | 8 | |
| 46 | 771788 | 771788 | 771788 | 771788 | PROTECTOR C 50PP&PVDF | 8 | |
| KIT | K50-VE | K50-VV | K50-VH | K50-VS | LIQUID SIDE | | |
| KIT | K50-AM-PP | | | | AIR MOTOR | | |

General Tools:

- Socket wrench - 13mm, 17mm, 19mm
- Hexagonal box wrench - 6mm
- Small crowbars - 2 (B_C, B_N, B_E, B_V)
- Open-end wrenches - 19mm, 24mm
- Plastic hammer, Phillips head screw driver, adjustable angle wrenches, needle nose Pliers

Torque Requirements:



- Tightening torque for center rod and out chambers.**
- | | |
|--------------|--------------------|
| Center Rod | 36 ft-lbf {50 N-m} |
| Out Chambers | 26 ft-lbf {35 N-m} |
- Tightening torque for manifold retainer bolts.**
- | | |
|-------|--------------------|
| BV_PP | 18 ft-lbf {25 N-m} |
|-------|--------------------|

Special Tools (sold separately):

- PP wrench (771866) to remove center disk
- Sleeve remover (713180) to remove sleeve

Miscellaneous:

- Assembly Oil—turbine oil none additional class 1 (equivalent to ISO VG32 grade)
- Nuts - M16 x 1.5
- Thread locker
- Urea grease grade (NLGI) No. 2

| Customer Notes | |
|----------------------|-------|
| Model #: | _____ |
| Description: | _____ |
| Serial #: | _____ |
| Date Installed: | _____ |
| Department Location: | _____ |
| Tag/Project: | _____ |