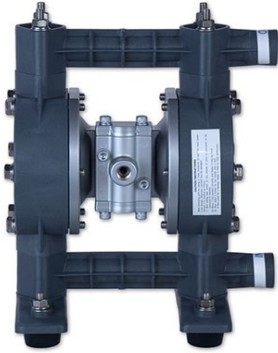


EXPLODED VIEW & PARTS LISTING

Air Operated Double Diaphragm Pump

Model: DP-15FDT

Model# 853867



To Purchase:

☎ 800-990-7867

✉ sales@yamadapump.com

📍 Find My Rep

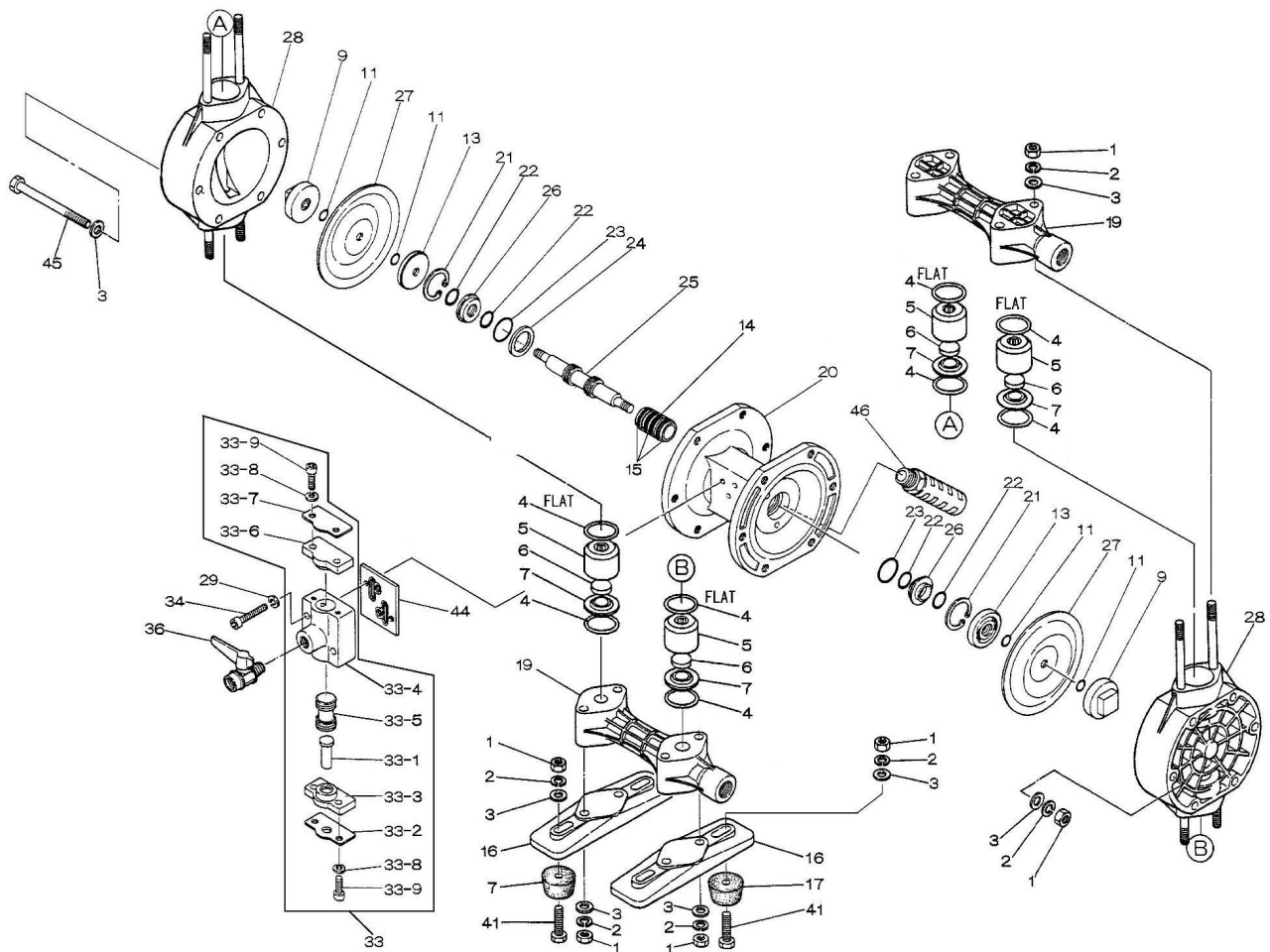
More Information:

▶ YouTube: @yamadapump

🌐 yamadapump.com

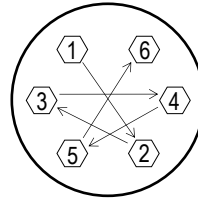
Data Sheets | CAD Drawings | Manuals
Literature | BOM | Performance Curves

Trial Program



Air Operated Double Diaphragm Pump

REF. No.	PARTS No.	DESCRIPTION	QTY.	REORDER
1	628012	NUT	12	
2	681300	SPRING LOCK WASHER	24	
3	631329	PLAIN WASHER	24	
4	643027	O-RING	8	
5	772718	VALVE STOPPER	4	
6	771340	FLAT VALVE	4	
7	772719	VALVE SEAT	4	
9	772722	CENTER DISK	2	
11	643005	O-RING	4	
13	770968	CENTER DISK	2	
14	714678	SLEEVE	1	
15	684900	O-RING	4	
16	772720	BASE	2	
17	770551	CUSHION	4	
19	780202	MANIFOLD	2	
20	715107	BODY	1	
21	630807	RETAINING RING C TYPE	2	
22	684284	PACKING	4	
23	640131	O-RING	2	
24	772651	SPACER	1	
25	801785	CENTER ROD ASSEMBLY	1	
26	772619	GUIDE BUSHING	2	
27	770933	DIAPHRAGM	2	
28	780199	OUT CHAMBER	2	
29	681855	SPRING LOCK WASHER	2	
33	804505	VALVE BODY ASSEMBLY	1	
33-1	706798	PUSH ROD	1	
33-2	710587	REINFORCEMENT PLATE A	1	
33-3	771357	CAP	1	
33-4	710853	SPOOL VALVE CASE	1	
33-5	801404	SPOOL VALVE ASSEMBLY	1	
33-6	771356	CAP	1	
33-7	710636	REINFORCEMENT PLATE B	1	
33-8	681855	SPRING LOCK WASHER	4	
33-9	682943	HEXAGON SOCKET HEAD BOLT	4	
34	682918	HEXAGON SOCKET HEAD BOLT	2	
36	683055	BALL VALVE	1	
41	621153	BOLT	4	
44	771358	GASKET	1	
45	621160	BOLT	12	
46	682520	SILENCER	1	
KIT	K15-DT	LIQUID SIDE		
KIT	K115-AM	AIR MOTOR		



Tightening torque for center rod and out chambers.

Center Rod 122 in-lbf {14 N-m}
Out Chambers 105 in-lbf {12 N-m}

Tightening torque for manifold retainer bolts.

FDT 105 in-lbf {12 N-m}

General Tools:

- Socket wrench - 13mm
- Hexagonal box wrenches - 5mm
- Open-end wrench - 21mm
- Snap ring pliers

Miscellaneous:

- Assembly Oil—turbine oil none additional class 1 (equivalent to ISO VGA32 grade)
- Urea grease grade (NLGI) No. 2

Customer Notes

Model #: _____
Description: _____
Serial #: _____
Date Installed: _____
Department Location: _____
Tag/Project: _____