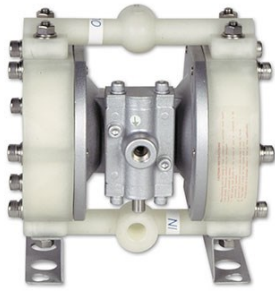


EXPLODED VIEW & PARTS LISTING

Air Operated Double Diaphragm Pump

Model: DP-10BP
Polypropylene Series



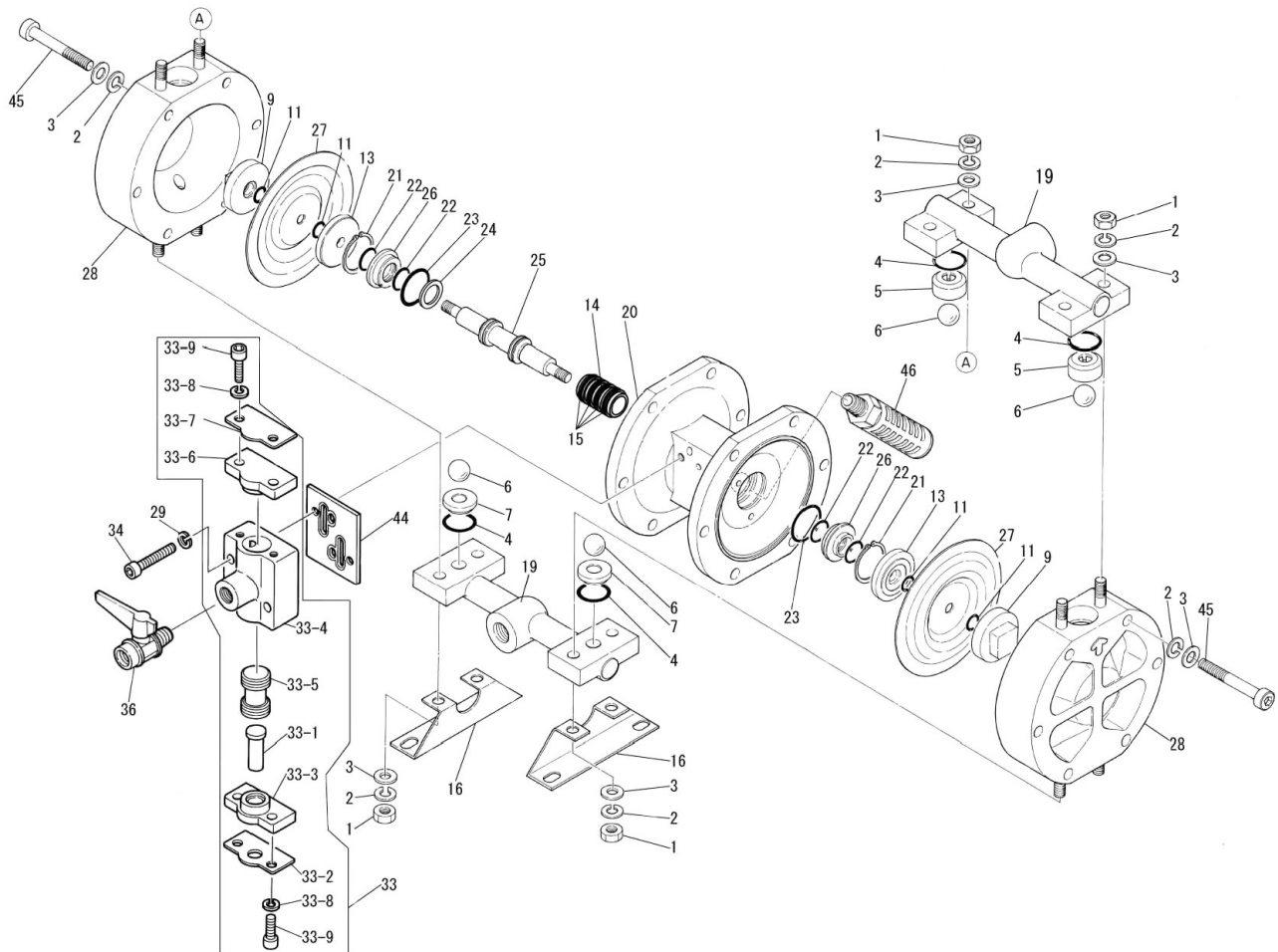
To Purchase:

- ☎ 800-990-7867
- ✉ sales@yamadapump.com
- 📍 Find My Rep

More Information:

- ▶ YouTube: @yamadapump
- 🌐 yamadapump.com
- Data Sheets | CAD Drawings | Manuals Literature | BOM | Performance Curves

Trial Program



Air Operated Double Diaphragm Pump

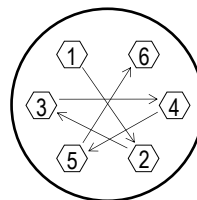
	DP-10BPC	DP-10BPN	DP-10BPH	DP-10BPS	DP-10BPT			
	851844	852388	851849	852679	851843			
REF. No.	PART No.	PART No.	PART No.	PART No.	PART No.	DESCRIPTION	QTY.	REORDER
1	628012	628012	628012	628012	628012	NUT	8	
2	681300	681300	681300	681300	681300	SPRING LOCK WASHER	20	
3	631329	631329	631329	631329	631329	PLAIN WASHER	20	
4	640018	640018	640018	684112	643018	O-RING	4	
5	771136	771136	771136	771136	771136	VALVE STOPPER	2	
6	770970	770972	773124	773168	770931	BALL	4	
7	770975	770976	771187*	771187*	780270*	VALVE SEAT	2	
9	770968	770968	770968	770968	770968	CENTER DISC	2	
11	640005	640005	-	-	643005	O-RING	4	
13	708770	708770	708770	708770	708770	CENTER DISC	2	
14	714678	714678	714678	714678	714678	SLEEVE	1	
15	684900	684900	684900	684900	684900	O-RING	4	
16	708511	708511	708511	708511	708511	PUMP BASE	2	
19	831316	831316	831316	831316	831316	MANIFOLD	2	
20	715107	715107	715107	715107	715107	BODY	1	
21	630807	630807	630807	630807	630807	RETAINING RING R TYPE	2	
22	684284	684284	684284	684284	684284	PACKING	4	
23	640131	640131	640131	640131	640131	O-RING	2	
24	772651	772651	772651	772651	772651	SPACER	1	
25	801785	801785	801785	801785	801785	CENTER ROD ASSY.	1	
26	772619	772619	772619	772619	772619	GUIDE BUSH	2	
27	770971	770973	771372	771972	770933	DIAPHRAGM	2	
28	780194	780194	780194	780194	780194	OUT CHAMBER	2	
29	681855	681855	681855	681855	681855	SPRING LOCK WASHER	2	
33	804505	804505	804505	804505	804505	VALVE BODY ASSY.	1	
33-1	706798	706798	706798	706798	706798	PUSH ROD	1	
33-2	710587	710587	710587	710587	710587	REINFORCEMENT PLATE A	1	
33-3	771357	771357	771357	771357	771357	CAP	1	
33-4	710853	710853	710853	710853	710853	SPOOL VALVE CASE	1	
33-5	801404	801404	801404	801404	801404	SPOOL VALVE ASSY.	1	
33-6	771356	771356	771356	771356	771356	CAP	1	
33-7	710636	710636	710636	710636	710636	REINFORCEMENT PLATE B	1	
33-8	681855	681855	681855	681855	681855	SPRING LOCK WASHER	4	
33-9	682943	682943	682943	682943	682943	HEXAGON BOLT	4	
34	682918	682918	682918	682918	682918	HEXAGON BOLT	2	
36	683055	683055	683055	683055	683055	BALL VALVE	1	
44	771358	771358	771358	771358	771358	GASKET	1	
45	682945	682945	682945	682945	682945	HEXAGON BOLT	12	
46	682520	682520	682520	682520	682520	SILENCER	1	
KIT	K10-PC	K10-PN	K10-PH	K10-PS	K10-PT	LIQUID SIDE KIT		
KIT			K115-AM			AIR MOTOR KIT		

General Tools:

- Socket wrench - 13mm
- Hexagonal box wrenches - 5mm, 6mm
- Snap ring pliers 12-25mm

Miscellaneous:

- Assembly Oil—turbine oil none additional class 1 (equivalent to ISA VGA32 grade)
- Urea grease grade (NLGI) No. 2



Tightening torque for center rod and out chambers.

- Center Rod 122 in-lbf {14 N-m}
- Out Chambers 105 in-lbf {12 N-m}

Tightening torque for manifold retainer bolts.

- BPC/H/N/S/T 70 in-lbf {8 N-m}