

EXPLODED VIEW & PARTS LISTING

Air Operated Double Diaphragm Pump

Model: AD-50ST

Model#: 853400



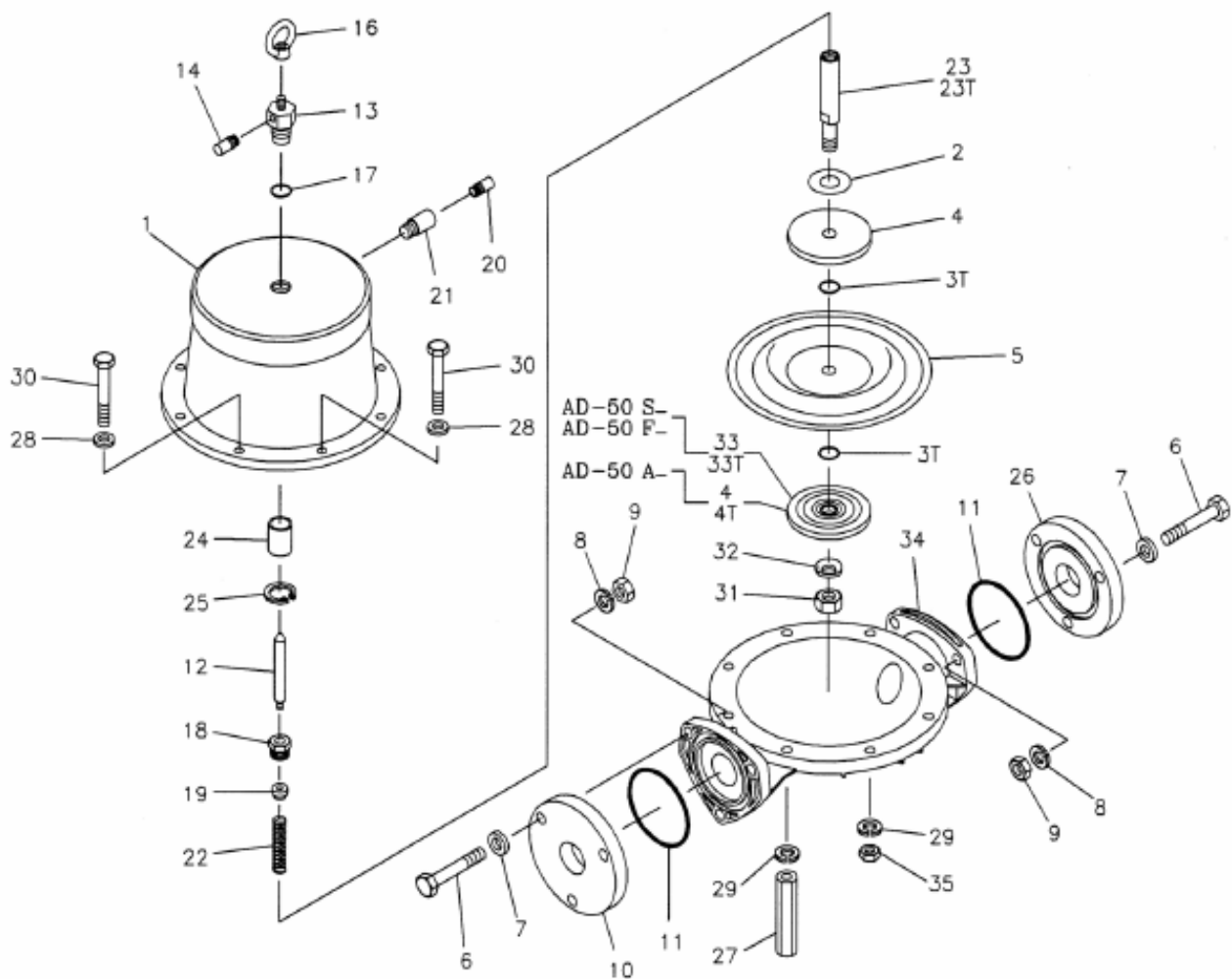
To Purchase:

- ☎ 800-990-7867
- ✉ sales@yamadapump.com
- 📍 Find My Rep

More Information:

- ▶ YouTube: @yamadapump
- 🌐 yamadapump.com
- Data Sheets | CAD Drawings | Manuals Literature | BOM | Performance Curves*

Trial Program



Air Operated Double Diaphragm Pump

REF. NO.	PARTS NO.	DESCRIPTION	QTY.	REORDER
1	713310	AIR CHAMBER	1	
2	771316	CUSHION	1	
3T	643015	O-RING	2	
4	707822	CENTER DISK	1	
5	770815	DIAPHRAGM	1	
6	621213	BOLT	6	
7	631331	WASHER	6	
8	680607	SPRING WASHER	6	
9	628014	NUT	6	
10	772223	FLANGE	1	
11	772063	O-RING	2	
12	795081	VALVE	1	
13	716408	VALVE SEAT	1	
14	802569	SILENCER ASSY.	1	
16	630241	EYE BOLT	1	
17	640017	O-RING	1	
18	710717	NUT	1	
19	710719	NUT	1	
20	681170	SILENCER	1	
21	714085	UNION	1	
22	710762	SPRING	1	
23T	713242	CENTER ROD	1	
24	773092	THROAT BEARING	1	
25	630807	STOP RING	1	
26	772222	FLANGE	1	
27	713243	STUD	4	
28	631330	WASHER FLAT	16	
29	680257	SPRING WASHER	8	
30	683542	BOLT	8	
33T	707823	CENTER DISK	1	
34	780153	OUT CHAMBER	1	
35	628013	NUT	4	
36	771786	PROTECTOR A	4	
37	771787	PROTECTOR B	4	
38	771788	PROTECTOR C	4	
39	714104	FLANGE PROTECTOR	2	