

# Pump Assembly

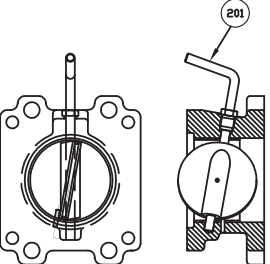
Types ACV & AEV Vertical Condensate Unit Steel Receivers with Type 6 Mechanical Shaft Seal - Bulletin 910

# WEINMAN®

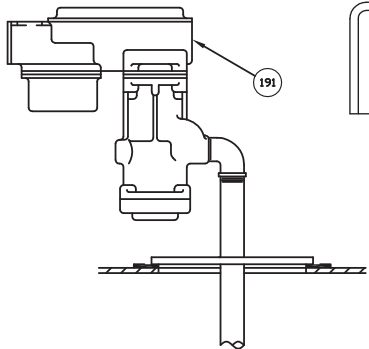
www.cranepumps.com

## Fabricated Steel Condensate Return Units

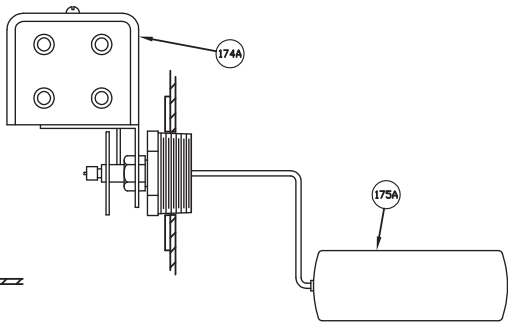
**ISOLATION VALVE**  
(When Specified)



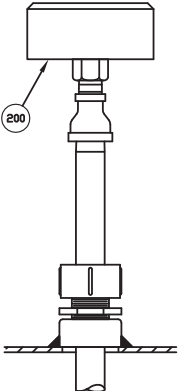
**ELECTRIC WATER FEEDER**  
(When Specified)



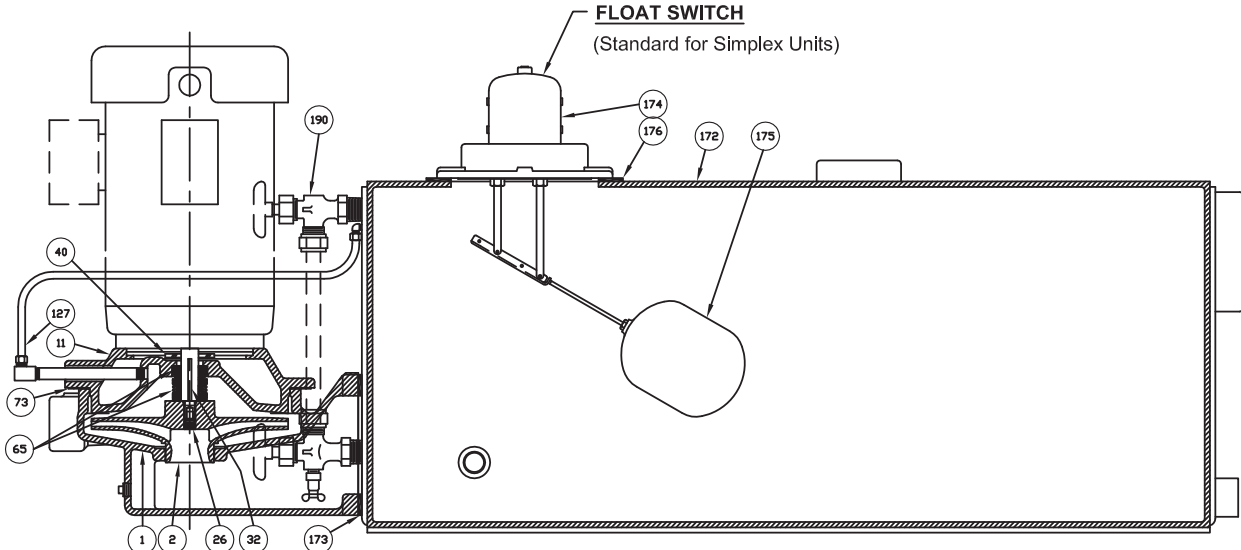
**SIDE MOUNTED ALTERNATOR**  
(Standard for Duplex Units)



**HIGH WATER ALARM**  
(When Specified)




**FLOAT SWITCH**  
(Standard for Simplex Units)



Item No.	Part Name	Material	Item No.	Part Name	Material
1	Casing	Cast Iron	174	Float Switch	Sq. D #9037
* 2	Impeller	Bronze	174A	Mechanical Alternator	Sq. D #9038
11	Casing Cover	Cast Iron	175	Float (Float Switch)	#9049
* 26	Impeller Screw	Stainless	175A	Float (Alternator)	#9049
* 32	Impeller Key	Stainless	176	Float Switch Gasket	Rubber
40	Deflector (Liquid)	Neoprene	176	Water Gauge	Brass
* 65	Mech. Shaft Seal	Carbon/Ceramic/Buna	190	Make-up Valve	McDonnell #101A
* 73	Casing Gasket	Cork-Cellulose	191	(When Specified)	
127	Seal Vent Piping	Copper/Brass	200	High Water Alarm	
172A	Receiver	Cast Iron		(When Specified)	
* 173	Receiver Gasket	Rubber	201	Iso Valve (When Specified)	

\* For Domestic Service we recommend these parts be carried in stock as spares.



**WARNING:**  
CANCER AND REPRODUCTIVE HARM -  
[WWW.P65WARNINGS.CA.GOV](http://WWW.P65WARNINGS.CA.GOV)

SECTION 910  
PAGE 2  
DATE 10/18

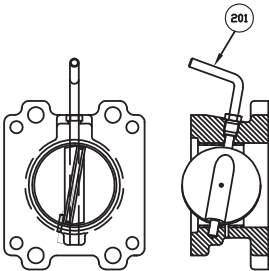
**CRANE**  
A Crane Co. Company

PUMPS & SYSTEMS

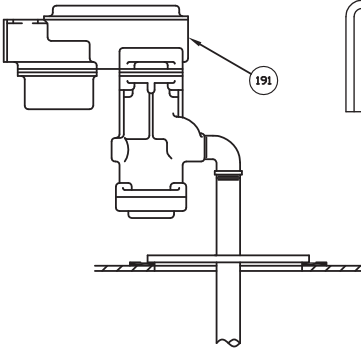
USA: (937) 778-8947 • Canada: (905) 457-6223 • International: (937) 615-3598

### Fabricated Steel Condensate Return Units

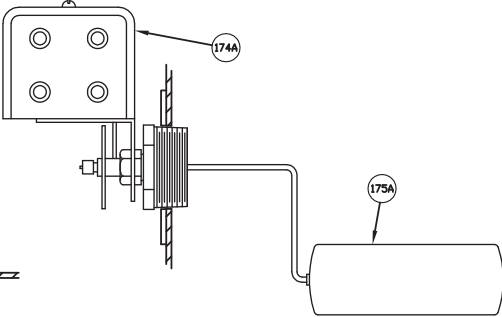
**ISOLATION VALVE**  
(When Specified)



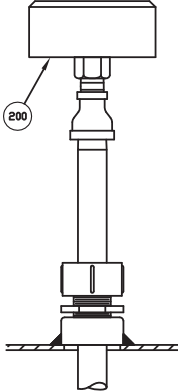
**ELECTRIC WATER FEEDER**  
(When Specified)



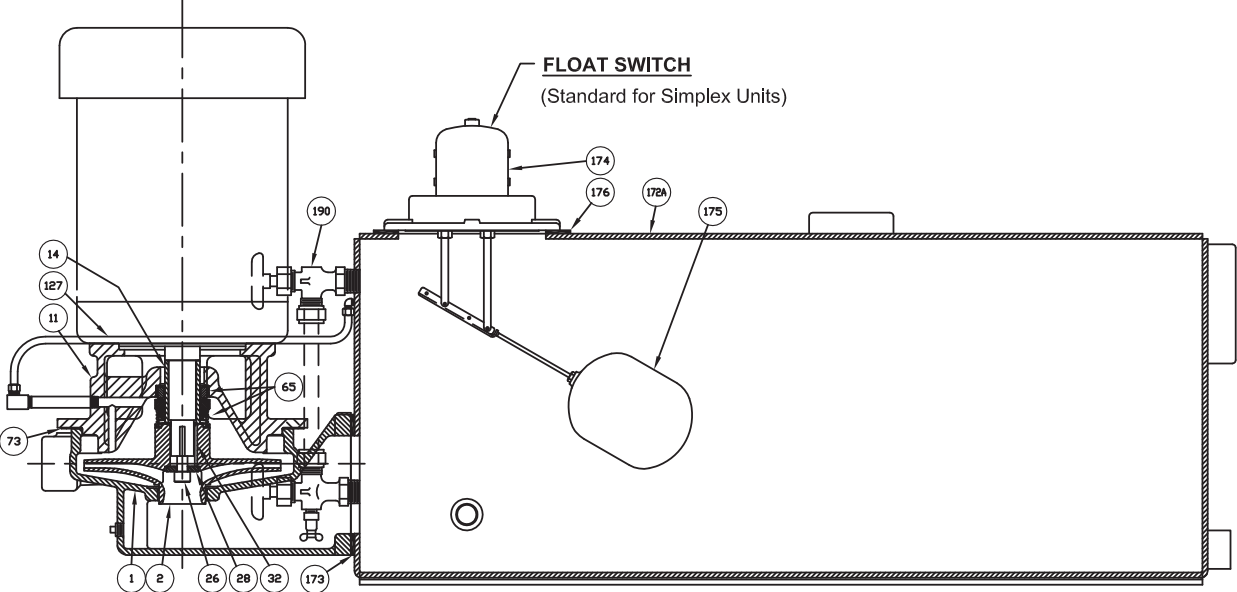
**SIDE MOUNTED ALTERNATOR**  
(Standard for Duplex Units)



**HIGH WATER ALARM**  
(When Specified)




**FLOAT SWITCH**  
(Standard for Simplex Units)



Item No.	Part Name	Material	Item No.	Part Name	Material
1	Casing	Cast Iron	* 173	Receiver Gasket	Rubber
* 2	Impeller	Bronze	174	Float Switch	Sq. D #9037
11	Casing Cover	Cast Iron	174A	Mechanical Alternator	Sq. D #9038
* 14	Shaft Sleeve	Cast Iron	175	Float (Float Switch)	#9049
* 26	Impeller Screw	Stainless	175A	Float (Alternator)	#9049
* 28	Impeller Screw Washer	Stainless	176	Float Switch Gasket	Rubber
* 32	Impeller Key	Stainless	190	Water Gauge	Brass
40	Deflector (Liquid)	Neoprene	191	Make-up Valve (When Specified)	McDonnell #101A
* 65	Mech. Shaft Seal	Carbon/Ni-Resist/Buna			
* 73	Casing Gasket	Cork-Cellulose	200	High Water Alarm (When Specified)	
127	Seal Vent Piping	Copper/Brass			
172A	Receiver	Cast Iron	201	Iso Valve (When Specified)	

\* For Domestic Service we recommend these parts be carried in stock as spares.



**WARNING:**  
CANCER AND REPRODUCTIVE HARM -  
WWW.P65WARNINGS.CA.GOV

# Pump Assembly

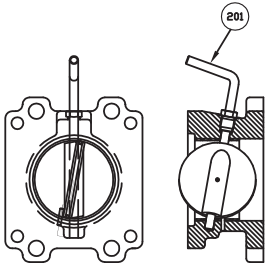
Types ADV & AFV Vertical Condensate Unit Steel Receivers with Type 21 Mechanical Shaft Seal - Bulletin 910

# WEINMAN®

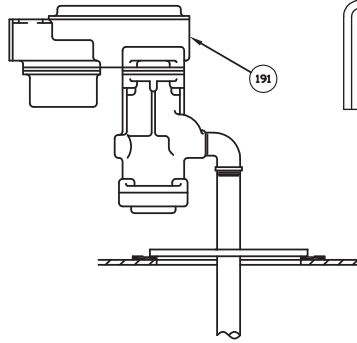
www.cranepumps.com

## Fabricated Steel Condensate Return Units

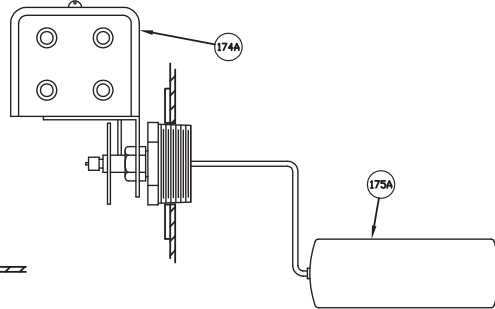
**ISOLATION VALVE**  
(When Specified)



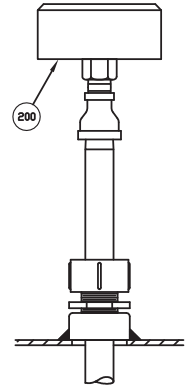
**ELECTRIC WATER FEEDER**  
(When Specified)



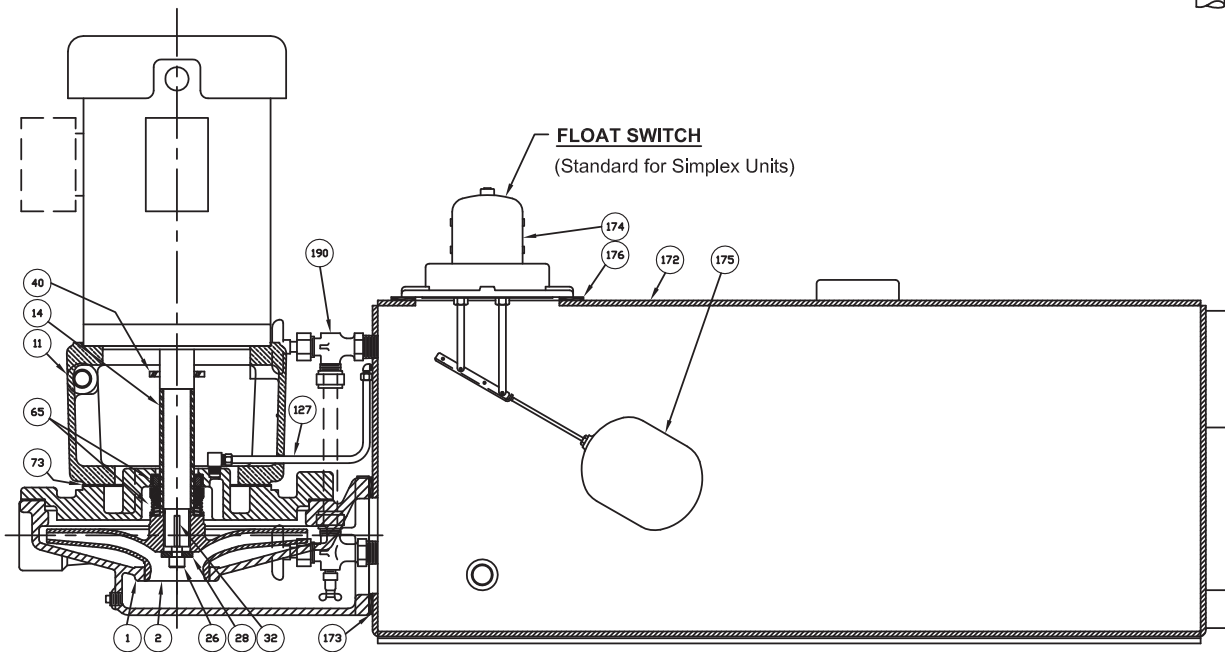
**SIDE MOUNTED ALTERNATOR**  
(Standard for Duplex Units)



**HIGH WATER ALARM**  
(When Specified)



**FLOAT SWITCH**  
(Standard for Simplex Units)



Item No.	Part Name	Material	Item No.	Part Name	Material
1	Casing	Cast Iron	* 173	Receiver Gasket	Rubber
* 2	Impeller	Bronze	174	Float Switch	Sq. D #9037
11	Casing Cover	Cast Iron	174A	Mechanical Alternator	Sq. D #9038
14	Shaft Sleeve	Cast Iron	175	Float (Float Switch)	#9049
* 26	Impeller Screw	Stainless	175A	Float (Alternator)	#9049
* 28	Impeller Screw Washer	Stainless	176	Float Switch Gasket	Rubber
* 32	Impeller Key	Stainless	190	Water Gauge	Brass
40	Deflector (Liquid)	Neoprene	191	Make-up Valve (When Specified)	McDonnell #101A
* 65	Mech. Shaft Seal	Carbon/Ni-Resist/Buna		High Water Alarm (When Specified)	
* 73	Casing Gasket	Cork-Cellulose	200	Iso Valve (When Specified)	
127	Seal Vent Piping	Copper/Brass			
172A	Receiver	Cast Iron	201		

\* For Domestic Service we recommend these parts be carried in stock as spares.



**WARNING:**  
CANCER AND REPRODUCTIVE HARM -  
WWW.P65WARNINGS.CA.GOV

SECTION 910  
PAGE 4  
DATE 10/18

**CRANE**

A Crane Co. Company

PUMPS & SYSTEMS

USA: (937) 778-8947 • Canada: (905) 457-6223 • International: (937) 615-3598