

Type "MG-VS"

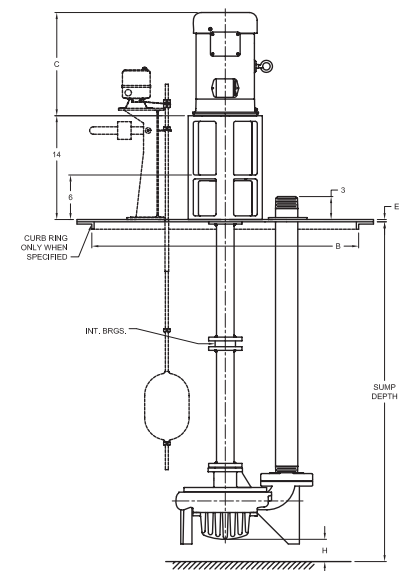
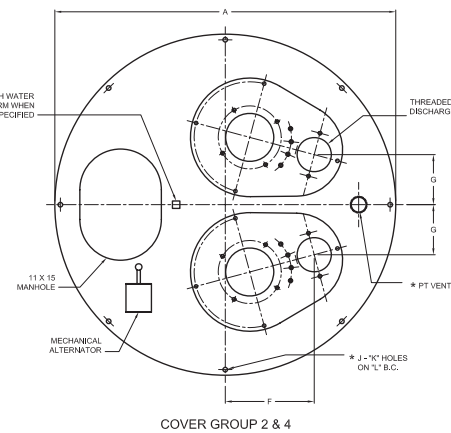
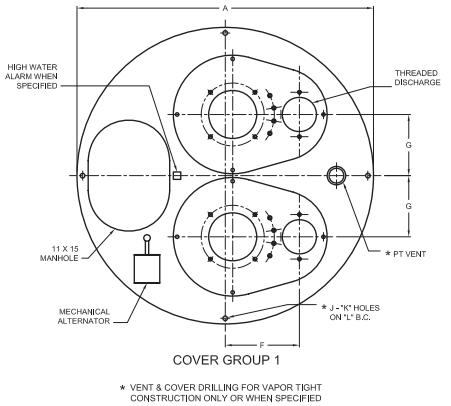
with Round Duplex Covers & Manhole
Bulletin 710



www.cranepumps.com

Column Sump Pumps

PUMP NO.: FOR: CERT. BY: _____ DATE: _____	PUMP: TDH: GPM: SIZE & TYPE:	MOTOR: HP: RPM: PHASE: ENCLOSURE:	VOLTS: HZ: FRAME:
--	---	--	--



Pumps									
Cover Group	Size & Type	Shaft Group	Dis.	F	G	H	Vent Size	Min. Sump Dia.	Min. Cover Dia.
1	228MG-VS	1	1½	10⅞	8¼	4½	2½	36	40
	228MG-VS	1	2	10⅞	8¼	4½	2½		
	236MG-VS	1	1½	10⅞	8¼	4½	2½		
	236MG-VS	1	2	10⅞	8¼	4½	2½		
	328MG-VS	1	3	10⅞	8¼	3⅞	2½		
2	428MG-VS	1	4	13⅞	6¼	3⅞	4	42	46
	438MG-VS	2	4	13⅞	6¼	4⅞	4		
4	635MG-VS	2	6	13½	10¼	3¾	4	48	52

Motors					
Single Phase		Three Phase		Motor Frame	C
1750		1750			
½		½		56	12
¾		¾		56	12
1		1		143T	15
		1½		145T	15
1½		2		145T	15
2		3		182T	18½
3		5		184T	18½
5		7½		213T	22
		10		215T	22
		15		254T	25
		20		256T	25
		25		284T	27
		30		286T	27

Round Basin Covers					
B Sump Dia.	A Cover Dia.	E Cover Thick.	Cover Drilling When Specified		
			J	K	L
36	40	½	4	⅝	38½
42	46	½	8	⅝	44½
48	52	½	8	⅝	50½
60	66	½	8	⅝	64
72	78	⅝	8	¾	76

Standard Sump Depth								
Sump Depth	No. Int. Brgs.		Sump Depth	No. Int. Brgs.		Sump Depth	No. Int. Brgs.	
	Shaft Group 1	Shaft Group 2		Shaft Group 1	Shaft Group 2		Shaft Group 1	Shaft Group 2
2'-6"	0	0	6'-0"	1	0	13'-0"	2	2
3'-0"	0	0	7'-0"	1	1	14'-0"	3	2
3'-6"	0	0	8'-0"	1	1	15'-0"	3	3
4'-0"	0	0	9'-0"	1	1	16'-0"	3	3
4'-6"	0	0	10'-0"	2	1	18'-0"	4	3
5'-0"	0	0	11'-0"	2	2	20'-0"	4	3
5'-6"	1	0	12'-0"	2	2			

SECTION 710
PAGE 10
DATE 10/11



A Crane Co. Company

PUMPS & SYSTEMS

USA: (937) 778-8947 • Canada: (905) 457-6223 • International: (937) 615-3598