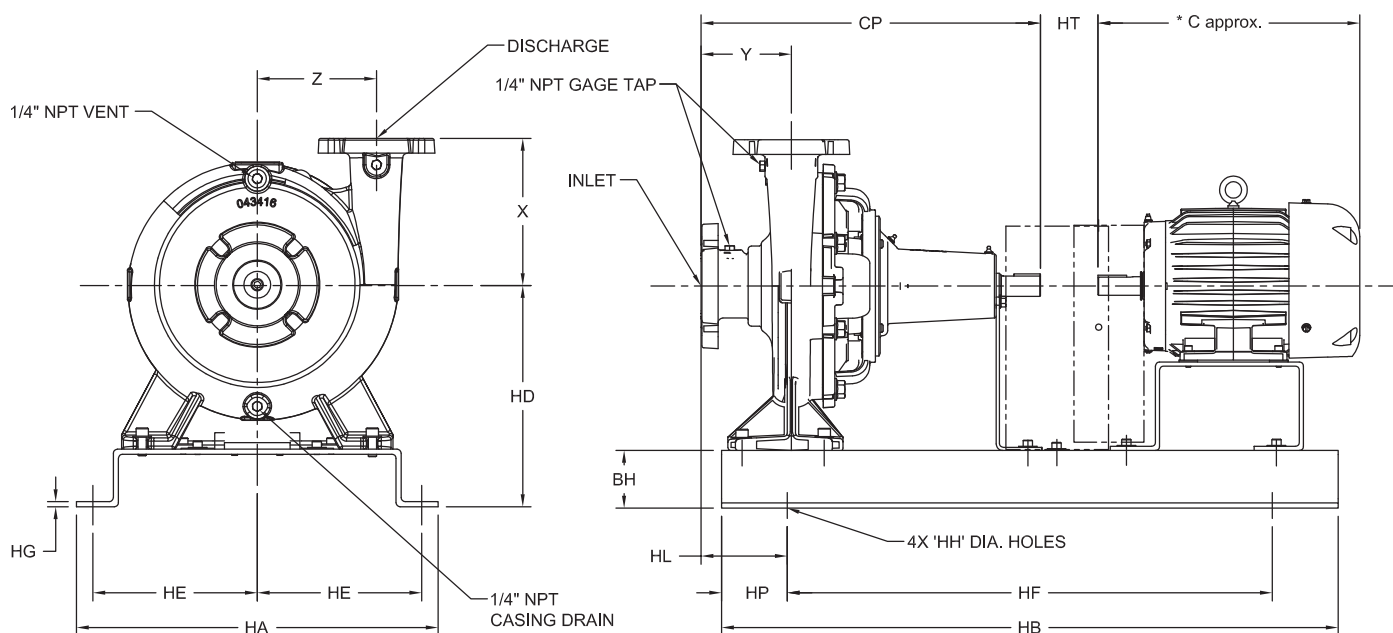


End Suction Back Pull-Out

PUMP NO.	PUMP:	MOTOR:	VOLTS:
FOR:	TDH:	HP:	HZ:
CERT. BY:	GPM:	RPM:	FRAME:
DATE:	FIGURE NO:	PHASE:	ENCLOSURE:

CONNECTIONS FOR 125# STANDARD FLANGES

PUMP	DISCH. (INCH)	INLET (INCH)	HL	X	Y	Z	CP
1.5Q	1.50	2.00	3.62	6.50	3.81	5.75	15.12
2.5Q	2.50	3.00	4.00	6.75	4.00	6.00	15.47
3Q	3.00	4.00	4.94	7.50	4.75	6.13	16.54



NOTES:

- 1) All Dimension $\pm .13$
- 2) Dimension * C will vary based on motor brand

1450/1760 RPM ONLY

CONNECTIONS FOR 125# STANDARD FLANGES

Motor Frame	Base No.	Riser No.	Guard No.	Guard Ext.	* C	HA	HB	HD	HE	HF	HG	HH	HP	HT	BH
143T	135303-01	135302	135537	N/A	12.29	16.00	33.25	11.50	7.25	25.25	0.31	0.75	4.00	3.50	3.50
145T	135303-01	135302	135537	N/A	12.29	16.00	33.25	11.50	7.25	25.25	0.31	0.75	4.00	3.50	3.50
182T	135303-01	135304	135537	135539	15.93	16.00	33.25	11.50	7.25	25.25	0.31	0.75	4.00	3.50	3.50
184T	135303-01	135304	135537	135539	15.93	16.00	33.25	11.50	7.25	25.25	0.31	0.75	4.00	3.50	3.50
213T	135306	135305	135537	135539	17.89	16.00	36.00	11.50	7.25	28.00	0.31	0.75	4.00	3.50	3.50
215T	135306	135305	135537	135539	17.89	16.00	36.00	11.50	7.25	28.00	0.31	0.75	4.00	3.50	3.50
254T	135308-01	135307	135538	135975	23.29	18.00	41.25	11.50	8.25	33.25	0.31	0.75	4.00	3.50	3.50
256T	135308-01	135307	135538	135975	23.29	18.00	41.25	11.50	8.25	33.25	0.31	0.75	4.00	3.50	3.50
284T	135314	*Q70-29-E4	135538	135975	27.76	19.00	42.00	11.50	8.75	34.00	0.31	0.75	4.00	3.50	3.50

* = Quantity 4 Spacer Blocks.



Type "Q"

Models 1.5Q, 2.5Q, 3Q, Small
Metric (Millimeters)

WEINMAN®

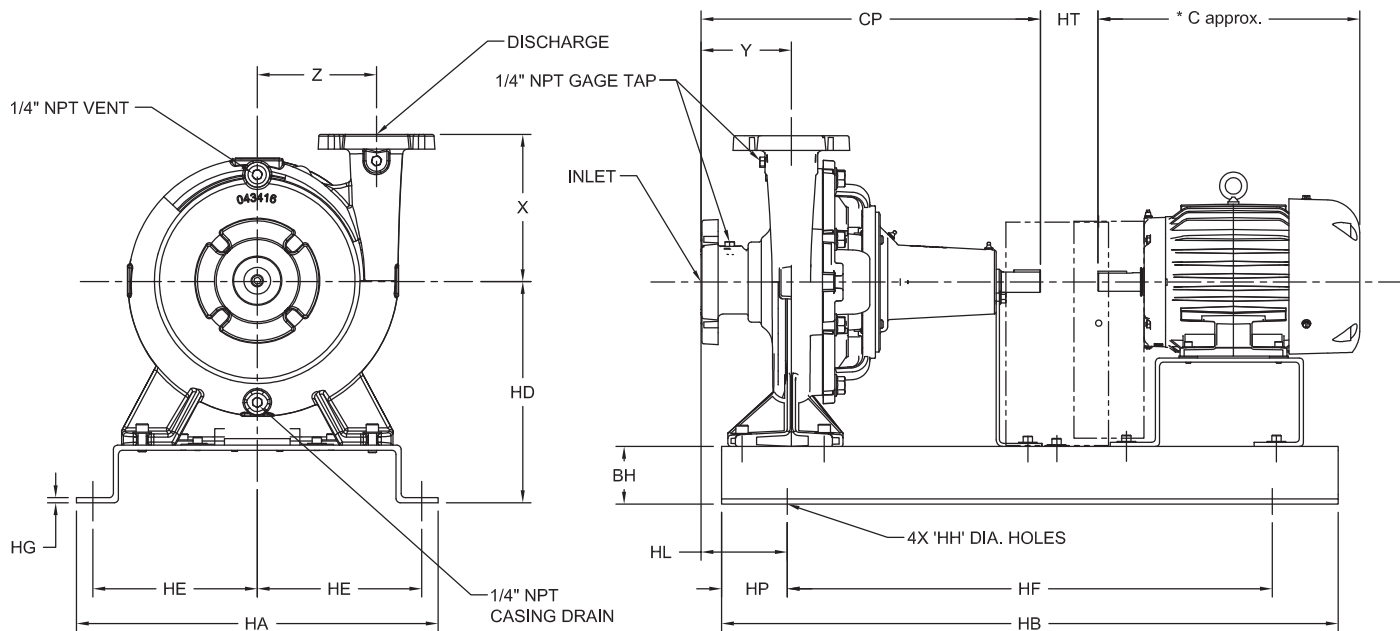
www.cranepumps.com

End Suction Back Pull-Out

PUMP NO.	PUMP:	MOTOR:	VOLTS:
FOR:	TDH:	HP:	HZ:
CERT. BY:	GPM:	RPM:	FRAME:
DATE:	FIGURE NO:	PHASE:	
		ENCLOSURE:	

CONNECTIONS FOR 125# STANDARD FLANGES

PUMP	DISCH. (INCH)	INLET (INCH)	HL	X	Y	Z	CP
1.5Q	1.50	2.00	92	165	97	146	384
2.5Q	2.50	3.00	102	171	102	152	393
3Q	3.00	4.00	126	191	121	156	420



1450/1760 RPM ONLY

NOTES:

- 1) All Dimension ± 3mm
- 2) Dimension * C will vary based on motor brand

CONNECTIONS FOR 125# STANDARD FLANGES

Motor Frame	Base No.	Riser No.	Guard No.	Guard Ext.	* C	HA	HB	HD	HE	HF	HG	HH	HP	HT	BH
143T	135303-01	135302	135537	N/A	312	406	845	292	184	641	8	19	102	89	89
145T	135303-01	135302	135537	N/A	312	406	845	292	184	641	8	19	102	89	89
182T	135303-01	135304	135537	135539	405	406	845	292	184	641	8	19	102	89	89
184T	135303-01	135304	135537	135539	405	406	845	292	184	641	8	19	102	89	89
213T	135306	135305	135537	135539	454	406	914	292	184	711	8	19	102	89	89
215T	135306	135305	135537	135539	454	406	914	292	184	711	8	19	102	89	89
254T	135308-01	135307	135538	135975	592	457	1048	292	210	845	8	19	102	89	89
256T	135308-01	135307	135538	135975	592	457	1048	292	210	845	8	19	102	89	89
284T	135314	*Q70-29-E4	135538	135975	705	483	1067	292	222	864	8	19	102	89	89

* = Quantity 4 Spacer Blocks.

SECTION 575
PAGE 64
DATE 11/16

CRANE
A Crane Co. Company

PUMPS & SYSTEMS

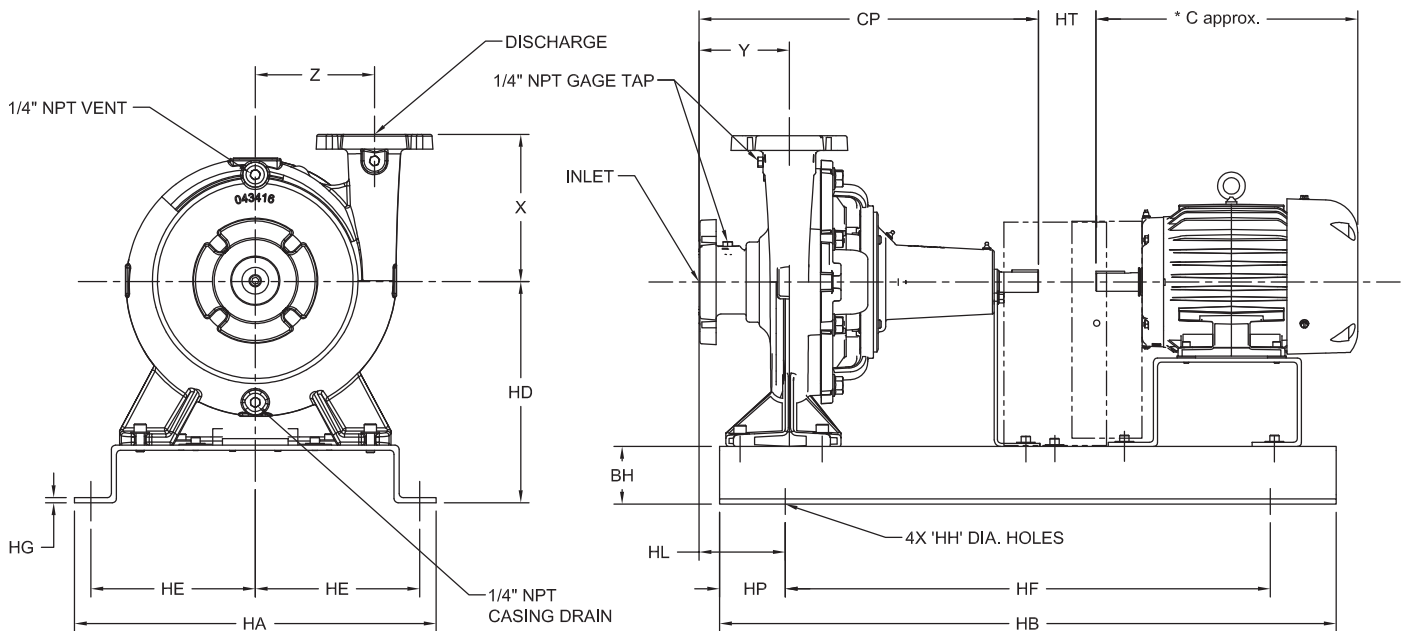
USA: (937) 778-8947 • Canada: (905) 457-6223 • International: (937) 615-3598

End Suction Back Pull-Out

PUMP NO.	PUMP:	MOTOR:	VOLTS:
FOR:	TDH:	HP:	HZ:
CERT. BY:	GPM:	RPM:	FRAME:
DATE:	FIGURE NO:	PHASE:	ENCLOSURE:

CONNECTIONS FOR 125# STANDARD FLANGES

PUMP	DISCH. (INCH)	INLET (INCH)	HL	X	Y	Z	CP
1.5Q	1.50	2.00	3.62	6.50	3.81	5.75	19.08



- NOTES:
 1) All Dimension $\pm .13$
 2) Dimension * C will vary based on motor brand

CONNECTIONS FOR 125# STANDARD FLANGES

Motor Frame	Base No.	Riser No.	Guard No.	Guard Ext.	* C	HA	HB	HD	HE	HF	HG	HH	HP	HT	BH
213T	135888-01	135305	135102	N/A	17.89	16.00	40.00	11.50	7.25	32.00	0.31	0.75	4.00	3.50	3.50
215T	135888-01	135305	135102	N/A	17.89	16.00	40.00	11.50	7.25	32.00	0.31	0.75	4.00	3.50	3.50
254T	135930	135307	135102	135926	23.29	18.00	46.50	11.50	8.25	38.50	0.31	0.75	4.00	3.50	3.50
256T	135930	135307	135102	135926	23.29	18.00	46.50	11.50	8.25	38.50	0.31	0.75	4.00	3.50	3.50
284TS	135317-02	*Q70-29-E4	135102	135926	27.76	19.00	46.00	11.50	8.50	38.00	0.31	0.75	4.00	3.50	3.50
286TS	135317-02	*Q70-29-E4	135102	135926	27.76	19.00	46.00	11.50	8.50	38.00	0.31	0.75	4.00	3.50	3.50
324TS	135316-01	N/A	135102	135926	28.78	22.00	51.00	11.75	10.00	43.00	0.31	0.75	4.00	3.50	3.50

* = Quantity 4 Spacer Blocks.



Type "Q"

Models 1.5Q, Medium
Metric (Millimeters)

WEINMAN®

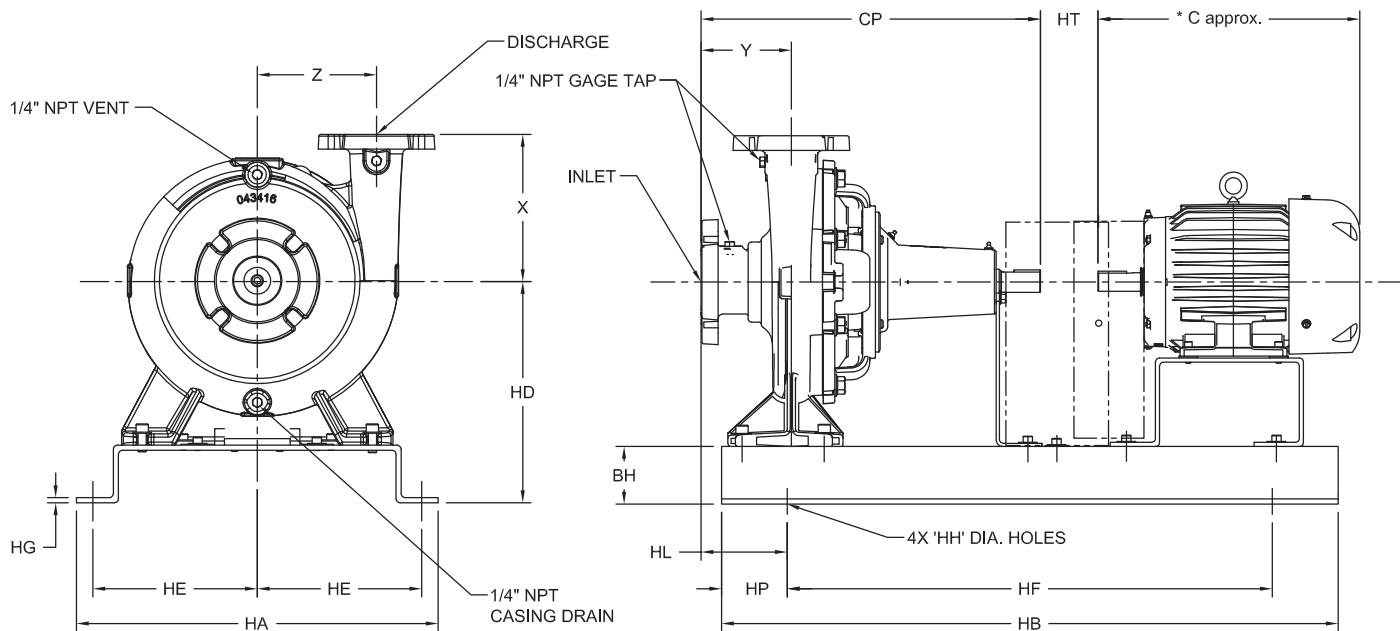
www.cranepumps.com

End Suction Back Pull-Out

PUMP NO.	PUMP:	MOTOR:	VOLTS:
FOR:	TDH:	HP:	HZ:
CERT. BY:	GPM:	RPM:	FRAME:
DATE:	FIGURE NO:	PHASE:	
		ENCLOSURE:	

CONNECTIONS FOR 125# STANDARD FLANGES

PUMP	DISCH. (INCH)	INLET (INCH)	HL	X	Y	Z	CP
1.5Q	1.50	2.00	92	165	97	146	485



- NOTES:
 1) All Dimension ± 3mm
 2) Dimension * C will vary based on motor brand

CONNECTIONS FOR 125# STANDARD FLANGES

Motor Frame	Base No.	Riser No.	Guard No.	Guard Ext.	* C	HA	HB	HD	HE	HF	HG	HH	HP	HT	BH
213T	135888-01	135305	135102	N/A	454	406	1016	292	184	813	8	19	102	89	89
215T	135888-01	135305	135102	N/A	454	406	1016	292	184	813	8	19	102	89	89
254T	135930	135307	135102	135926	592	457	1181	292	210	978	8	19	102	89	89
256T	135930	135307	135102	135926	592	457	1181	292	210	978	8	19	102	89	89
284TS	135317-02	*Q70-29-E4	135102	135926	705	483	1168	292	216	965	8	19	102	89	89
286TS	135317-02	*Q70-29-E4	135102	135926	705	483	1168	292	216	965	8	19	102	89	89
324TS	135316-01	N/A	135102	135926	731	559	1295	298	254	1092	8	19	102	89	89

* = Quantity 4 Spacer Blocks.

SECTION 575
PAGE 66
DATE 11/16

CRANE
A Crane Co. Company

PUMPS & SYSTEMS

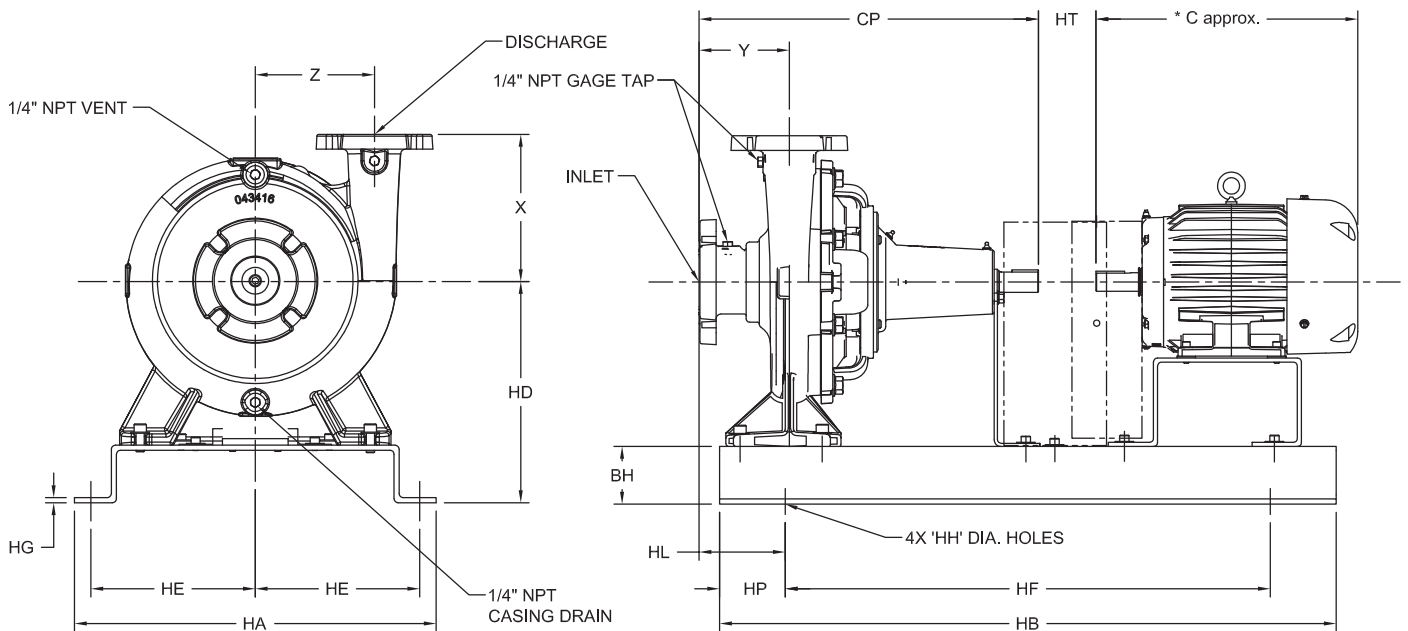
USA: (937) 778-8947 • Canada: (905) 457-6223 • International: (937) 615-3598

End Suction Back Pull-Out

PUMP NO.	PUMP:	MOTOR:	VOLTS:
FOR:	TDH:	HP:	HZ:
CERT. BY:	GPM:	RPM:	FRAME:
DATE:	FIGURE NO:	PHASE:	ENCLOSURE:

CONNECTIONS FOR 125# STANDARD FLANGES

PUMP	DISCH. (INCH)	INLET (INCH)	HL	X	Y	Z	CP
2Q	2.0	2.5	4.00	7.00	4.00	5.88	15.61



NOTES:

- 1) All Dimension $\pm .13$
- 2) Dimension * C will vary based on motor brand

CONNECTIONS FOR 125# STANDARD FLANGES

Motor Frame	Base No.	Riser No.	Guard No.	Guard Ext.	* C	HA	HB	HD	HE	HF	HG	HH	HP	HT	BH
145T	135303-01	135302	135537	N/A	12.29	16.00	33.25	11.50	7.25	25.25	0.31	0.75	4.00	3.50	3.50
182T	135303-01	135304	135537	135539	15.93	16.00	33.25	11.50	7.25	25.25	0.31	0.75	4.00	3.50	3.50
184T	135303-01	135304	135537	135539	15.93	16.00	33.25	11.50	7.25	25.25	0.31	0.75	4.00	3.50	3.50
213T	135306	135305	135537	135539	17.89	16.00	36.00	11.50	7.25	28.00	0.31	0.75	4.00	3.50	3.50
215T	135306	135305	135537	135539	17.89	16.00	36.00	11.50	7.25	28.00	0.31	0.75	4.00	3.50	3.50
254T	135308-01	135307	135538	135975	23.29	16.00	41.25	11.50	8.25	33.25	0.31	0.75	4.00	3.50	3.50
256T	135308-01	135307	135538	135975	23.29	16.00	41.25	11.50	8.25	33.25	0.31	0.75	4.00	3.50	3.50
284T	135314	Q70-29-E4	135538	N/A	27.76	16.00	42.00	11.50	8.75	34.00	0.31	0.75	4.00	3.50	3.50

* = Quantity 4 Spacer Blocks.



Type "Q"

Models 2Q, Small
Metric (Millimeters)

WEINMAN®

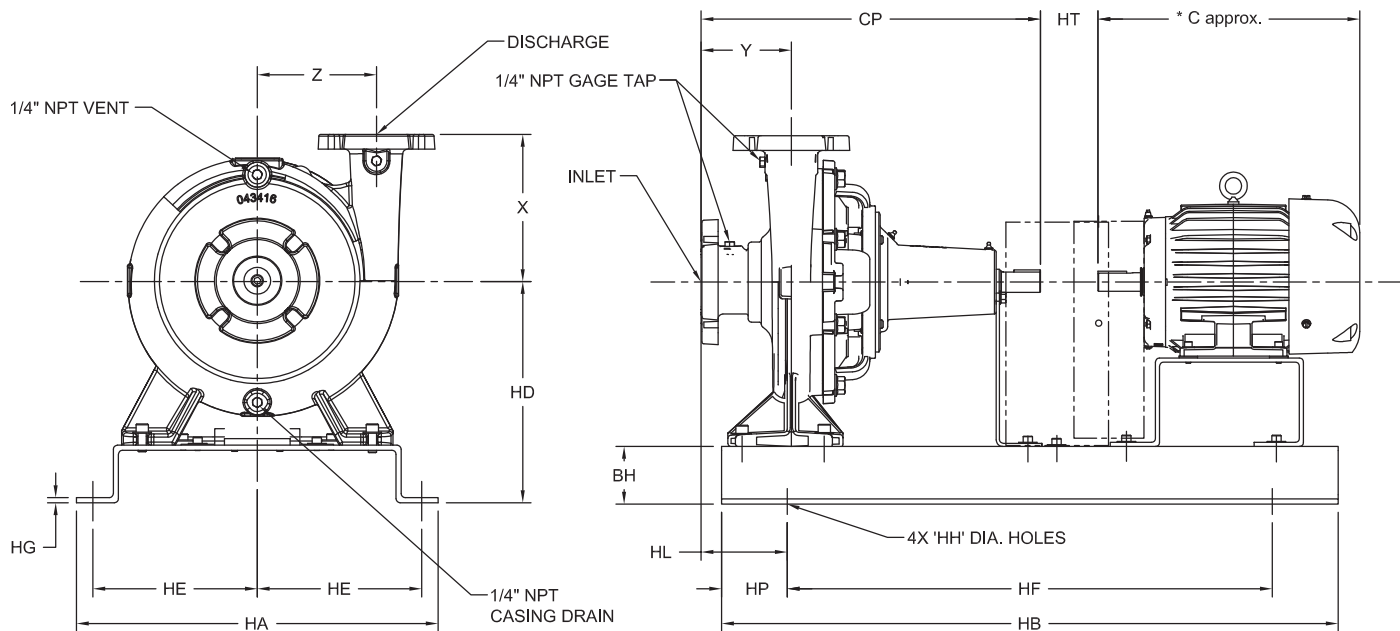
www.cranepumps.com

End Suction Back Pull-Out

PUMP NO.	PUMP:	MOTOR:	VOLTS:
FOR:	TDH:	HP:	HZ:
CERT. BY:	GPM:	RPM:	FRAME:
DATE:	FIGURE NO:	PHASE:	
		ENCLOSURE:	

CONNECTIONS FOR 125# STANDARD FLANGES

PUMP	DISCH. (INCH)	INLET (INCH)	HL	X	Y	Z	CP
2Q	2.0	2.5	102	178	102	149	396



- NOTES:
 1) All Dimension $\pm 3\text{mm}$
 2) Dimension * C will vary based on motor brand

CONNECTIONS FOR 125# STANDARD FLANGES

Motor Frame	Base No.	Riser No.	Guard No.	Guard Ext.	* C	HA	HB	HD	HE	HF	HG	HH	HP	HT	BH
145T	135303-01	135302	135537	N/A	312	406	845	292	184	641	8	19	102	89	89
182T	135303-01	135304	135537	135539	405	406	845	292	184	641	8	19	102	89	89
184T	135303-01	135304	135537	135539	405	406	845	292	184	641	8	19	102	89	89
213T	135306	135305	135537	135539	454	406	914	292	184	711	8	19	102	89	89
215T	135306	135305	135537	135539	454	406	914	292	184	711	8	19	102	89	89
254T	135308-01	135307	135538	135975	592	406	1048	292	210	845	8	19	102	89	89
256T	135308-01	135307	135538	135975	592	406	1048	292	210	845	8	19	102	89	89
284T	135314	Q70-29-E4	135538	N/A	705	406	1067	292	222	864	8	19	102	89	89

* = Quantity 4 Spacer Blocks.

SECTION 575
PAGE 68
DATE 11/16

CRANE
A Crane Co. Company

PUMPS & SYSTEMS

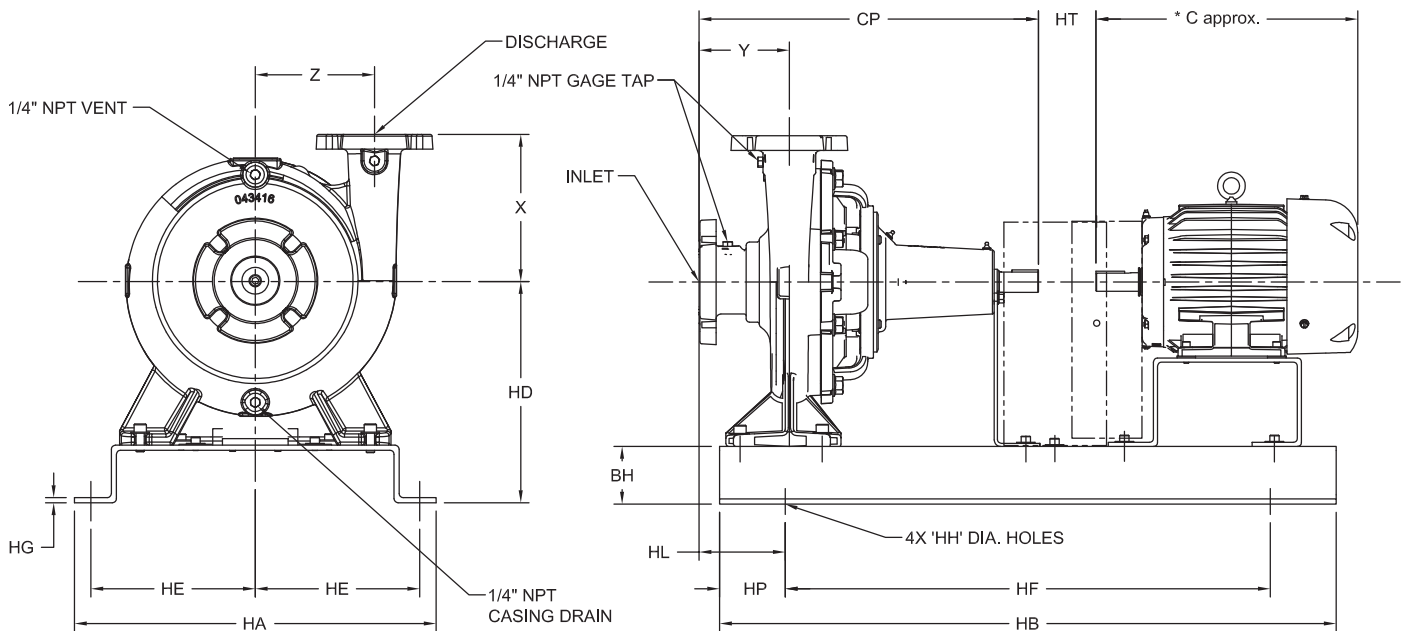
USA: (937) 778-8947 • Canada: (905) 457-6223 • International: (937) 615-3598

End Suction Back Pull-Out

PUMP NO.	PUMP:	MOTOR:	VOLTS:
FOR:	TDH:	HP:	HZ:
CERT. BY:	GPM:	RPM:	FRAME:
DATE:	FIGURE NO:	PHASE:	ENCLOSURE:

CONNECTIONS FOR 125# STANDARD FLANGES

PUMP	DISCH. (INCH)	INLET (INCH)	HL	X	Y	Z	CP
2Q	2.0	2.5	4.00	7.00	4.00	5.88	19.57



NOTES:

- 1) All Dimension $\pm .13$
- 2) Dimension * C will vary based on motor brand

CONNECTIONS FOR 125# STANDARD FLANGES

Motor Frame	Base No.	Riser No.	Guard No.	Guard Ext.	* C	HA	HB	HD	HE	HF	HG	HH	HP	HT	BH
213T	135888-01	135305	135102	N/A	17.89	16.00	40.00	11.50	7.25	32.00	0.31	0.75	4.00	3.50	3.50
215T	135888-01	135305	135102	N/A	17.89	16.00	40.00	11.50	7.25	32.00	0.31	0.75	4.00	3.50	3.50
254T	135930	135307	135102	135926	23.29	18.00	46.50	11.50	8.25	38.50	0.31	0.75	4.00	3.50	3.50
256T	135930	135307	135102	135926	23.29	18.00	46.50	11.50	8.25	38.50	0.31	0.75	4.00	3.50	3.50
284TS	135317-02	Q70-29-E4	135102	135926	27.76	19.00	46.00	11.50	8.50	38.00	0.31	0.75	4.00	3.50	3.50
286TS	135314-02	Q70-29-E4	135102	135926	27.76	19.00	46.00	11.50	8.50	38.00	0.31	0.75	4.00	3.50	3.50
324TS	135316-01	None	135102	135926	28.78	22.00	51.00	11.75	10.00	43.00	0.31	0.75	4.00	3.50	3.50
284T	135314	Q70-29-E4	135538	N/A	27.76	16.00	42.00	11.50	8.75	34.00	0.31	0.75	4.00	3.50	3.50
326TS	135316-01	N/A	135102	135926	28.78	22.00	51.00	11.75	10.00	43.00	0.31	0.75	4.00	3.50	3.50

* = Quantity 4 Spacer Blocks.

Type "Q"

Models 2Q, Medium
Metric (Millimeters)

WEINMAN®

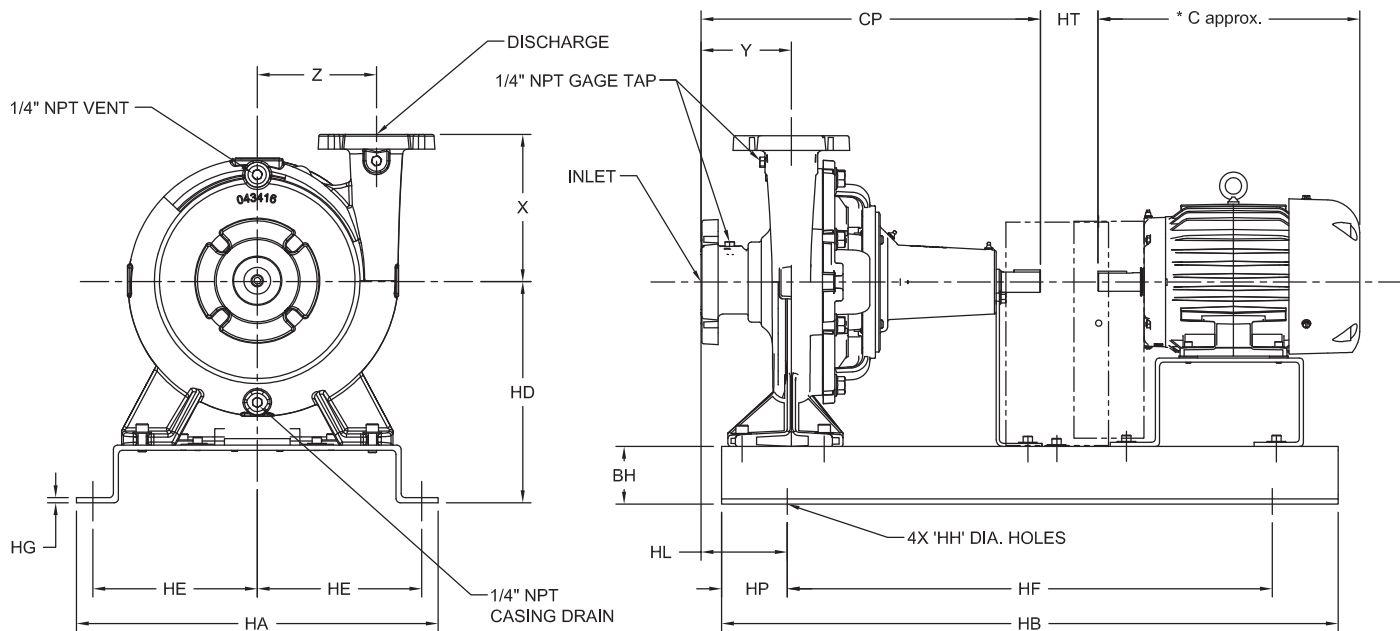
www.cranepumps.com

End Suction Back Pull-Out

PUMP NO.	PUMP: TDH: GPM:	MOTOR: HP: RPM: PHASE: ENCLOSURE:	VOLTS: HZ: FRAME:
FOR:	FIGURE NO.:		
CERT. BY:	DATE:		

CONNECTIONS FOR 125# STANDARD FLANGES

PUMP	DISCH. (INCH)	INLET (INCH)	HL	X	Y	Z	CP
2Q	2.0	2.5	102	178	102	149	497



- NOTES:
 1) All Dimension \pm 3mm
 2) Dimension * C will vary based on motor brand

CONNECTIONS FOR 125# STANDARD FLANGES

Motor Frame	Base No.	Riser No.	Guard No.	Guard Ext.	* C	HA	HB	HD	HE	HF	HG	HH	HP	HT	BH
213T	135888-01	135305	135102	N/A	454	406	1016	292	184	813	8	19	102	89	89
215T	135888-01	135305	135102	N/A	454	406	1016	292	184	813	8	19	102	89	89
254T	135930	135307	135102	135926	592	457	1181	292	210	978	8	19	102	89	89
256T	135930	135307	135102	135926	592	457	1181	292	210	978	8	19	102	89	89
284TS	135317-02	Q70-29-E4	135102	135926	705	483	1168	292	216	965	8	19	102	89	89
286TS	135314-02	Q70-29-E4	135102	135926	705	483	1168	292	216	965	8	19	102	89	89
324TS	135316-01	None	135102	135926	731	559	1295	298	254	1092	8	19	102	89	89
284T	135314	Q70-29-E4	135538	N/A	705	406	1067	292	222	864	8	19	102	89	89
326TS	135316-01	N/A	135102	135926	731	559	1295	298	254	1092	8	19	102	89	89

* = Quantity 4 Spacer Blocks.

SECTION 575
PAGE 70
DATE 11/16

CRANE
A Crane Co. Company

PUMPS & SYSTEMS

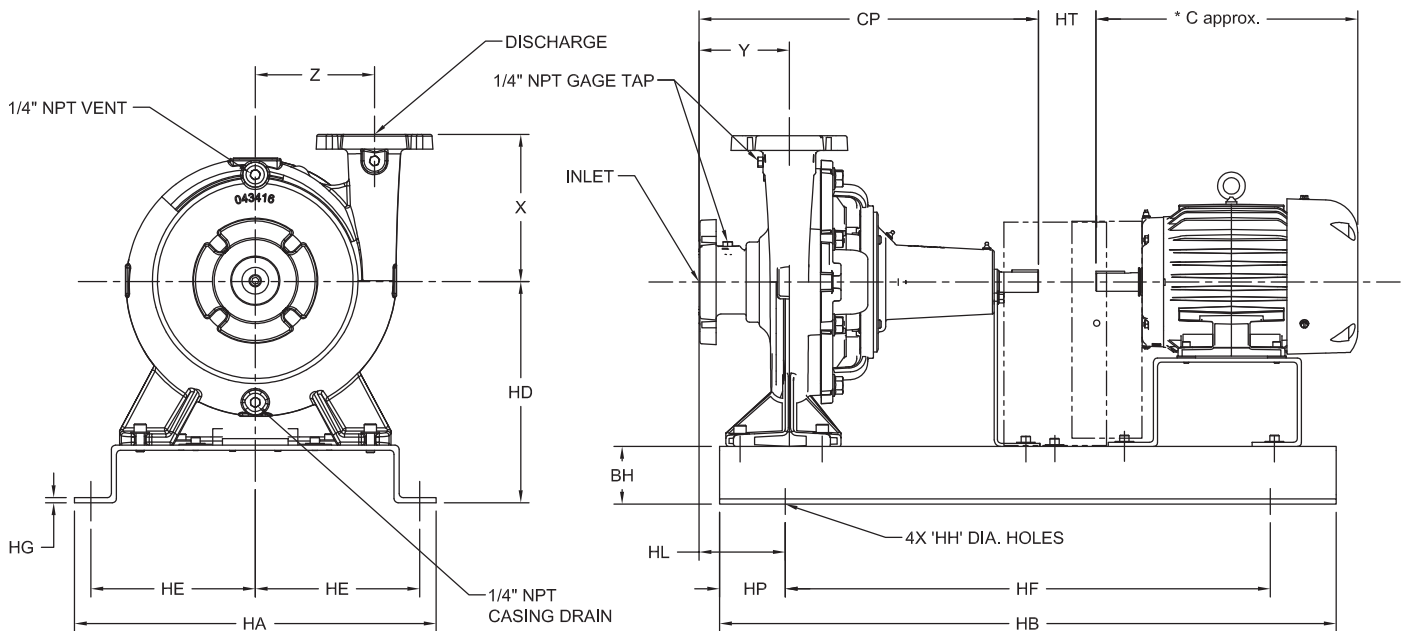
USA: (937) 778-8947 • Canada: (905) 457-6223 • International: (937) 615-3598

End Suction Back Pull-Out

PUMP NO. FOR: CERT. BY:	DATE:	PUMP: TDH: GPM: FIGURE NO.:	MOTOR: HP: RPM: PHASE: ENCLOSURE:	VOLTS: HZ: FRAME:
--	--------------	--	--	--

CONNECTIONS FOR 125# STANDARD FLANGES

PUMP	DISCH. (INCH)	INLET (INCH)	HL	X	Y	Z	CP
2.5Q	2.50	3.00	4.00	6.75	4.00	6.00	19.44



NOTES:

- 1) All Dimension $\pm .13$
- 2) Dimension * C will vary based on motor brand

CONNECTIONS FOR 125# STANDARD FLANGES

Motor Frame	Base No.	Riser No.	Guard No.	Guard Ext.	* C	HA	HB	HD	HE	HF	HG	HH	HP	HT	BH
213T	135888-01	135305	135102	N/A	17.89	16.00	40.00	11.50	7.25	32.00	0.31	0.75	4.00	3.50	3.50
215T	135888-01	135305	135102	N/A	17.89	16.00	40.00	11.50	7.25	32.00	0.31	0.75	4.00	3.50	3.50
254T	135930	135307	135102	135926	23.29	18.00	46.50	11.50	8.25	38.50	0.31	0.75	4.00	3.50	3.50
256T	135930	135307	135102	135926	23.29	18.00	46.50	11.50	8.25	38.50	0.31	0.75	4.00	3.50	3.50
284TS	135317-02	*Q70-29-E4	135102	135926	27.76	19.00	46.00	11.50	8.50	38.00	0.31	0.75	4.00	3.50	3.50
286TS	135317-02	*Q70-29-E4	135102	135926	27.76	19.00	46.00	11.50	8.50	38.00	0.31	0.75	4.00	3.50	3.50
324TS	135316-01	N/A	135625	N/A	28.78	22.00	51.00	11.75	10.00	43.00	0.31	0.75	4.00	3.50	3.50
326TS	135316-01	N/A	135625	N/A	28.78	22.00	51.00	11.75	10.00	43.00	0.31	0.75	4.00	3.50	3.50
364TS	135315	N/A	135625	N/A	31.36	24.00	52.00	12.63	11.00	44.00	0.31	0.75	4.00	3.50	3.50

* = Quantity 4 Spacer Blocks.

Type "Q"

Models 2.5Q, Medium
Metric (Millimeters)

WEINMAN®

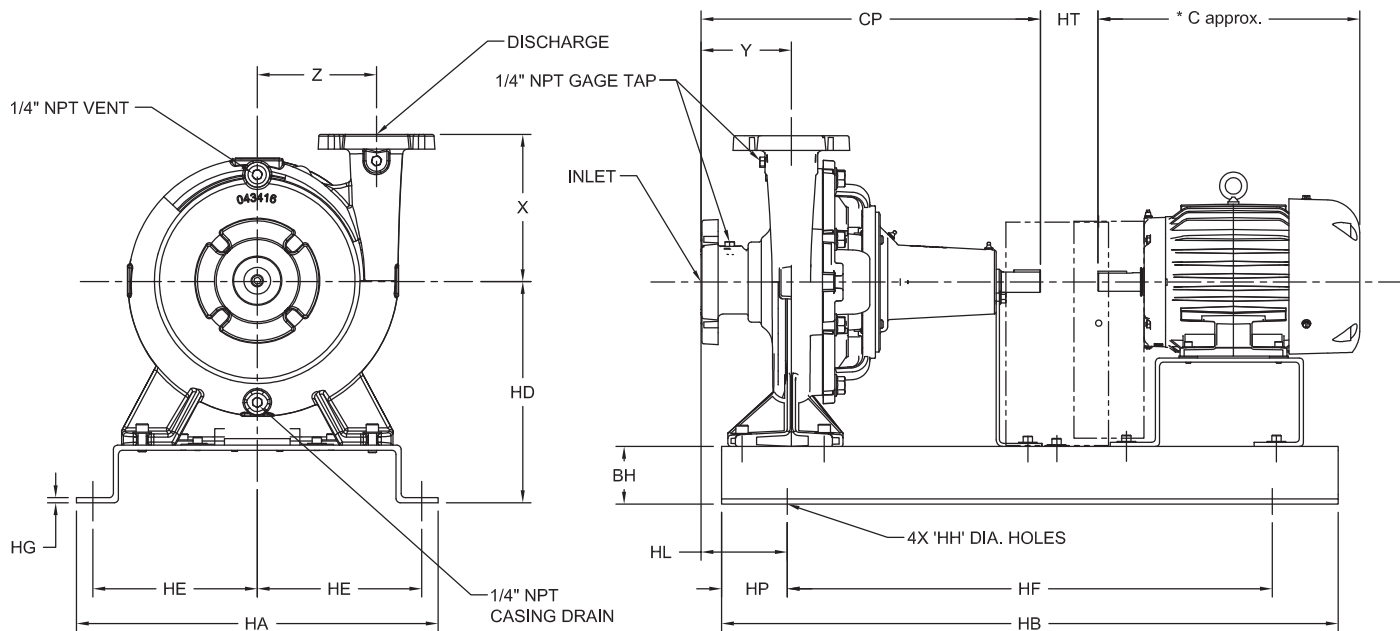
www.cranepumps.com

End Suction Back Pull-Out

PUMP NO.		PUMP: TDH: GPM:		MOTOR: HP: RPM: PHASE: ENCLOSURE:		VOLTS: HZ: FRAME:	
FOR:		DATE:		FIGURE NO:			
CERT. BY:							

CONNECTIONS FOR 125# STANDARD FLANGES

PUMP	DISCH. (INCH)	INLET (INCH)	HL	X	Y	Z	CP
2.5Q	2.50	3.00	102	171	102	152	494



- NOTES:
 1) All Dimension \pm 3mm
 2) Dimension * C will vary based on motor brand

CONNECTIONS FOR 125# STANDARD FLANGES

Motor Frame	Base No.	Riser No.	Guard No.	Guard Ext.	* C	HA	HB	HD	HE	HF	HG	HH	HP	HT	BH
213T	135888-01	135305	135102	N/A	454	406	1016	292	184	813	8	19	102	89	89
215T	135888-01	135305	135102	N/A	454	406	1016	292	184	813	8	19	102	89	89
254T	135930	135307	135102	135926	592	457	1181	292	210	978	8	19	102	89	89
256T	135930	135307	135102	135926	592	457	1181	292	210	978	8	19	102	89	89
284TS	135317-02	*Q70-29-E4	135102	135926	705	483	1168	292	216	965	8	19	102	89	89
286TS	135317-02	*Q70-29-E4	135102	135926	705	483	1168	292	216	965	8	19	102	89	89
324TS	135316-01	N/A	135625	N/A	731	559	1295	298	254	1092	8	19	102	89	89
326TS	135316-01	N/A	135625	N/A	731	559	1295	298	254	1092	8	19	102	89	89
364TS	135315	N/A	135625	N/A	797	610	1321	321	279	1118	8	19	102	89	89

* = Quantity 4 Spacer Blocks.

SECTION 575
PAGE 72
DATE 11/16

CRANE
A Crane Co. Company

PUMPS & SYSTEMS

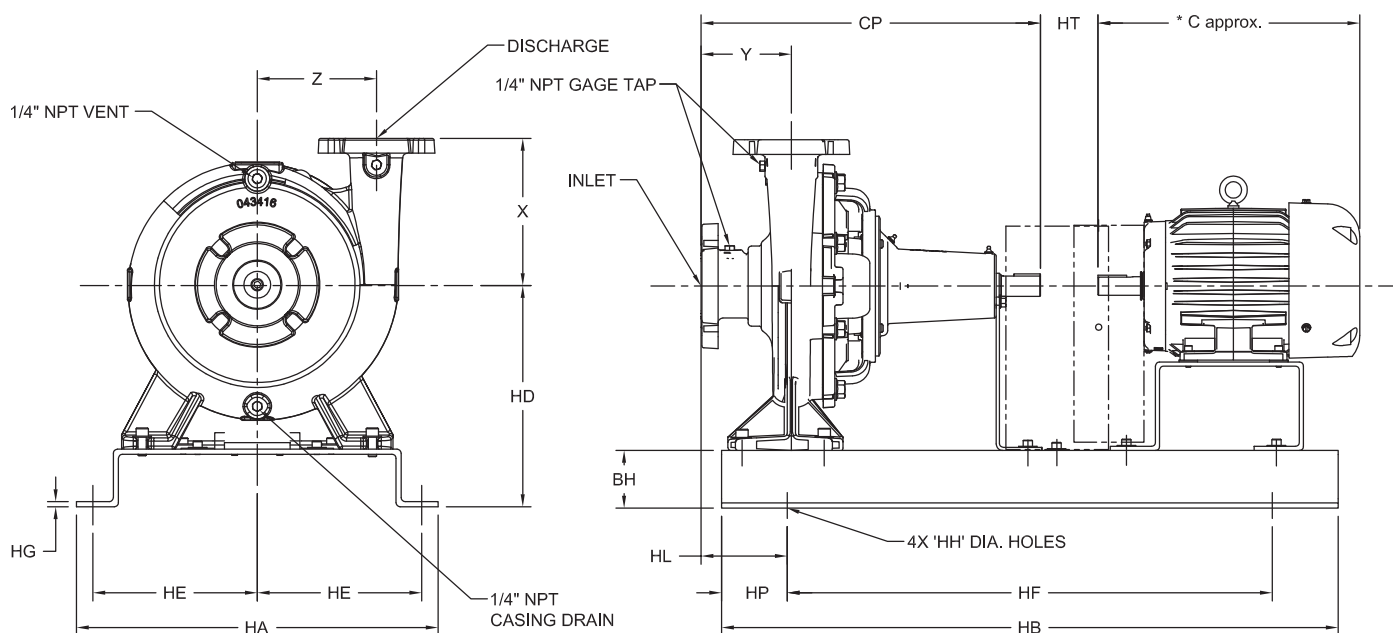
USA: (937) 778-8947 • Canada: (905) 457-6223 • International: (937) 615-3598

End Suction Back Pull-Out

PUMP NO.	PUMP:	MOTOR:	VOLTS:
FOR:	TDH:	HP:	HZ:
CERT. BY:	GPM:	RPM:	FRAME:
DATE:	FIGURE NO:	PHASE:	ENCLOSURE:

CONNECTIONS FOR 125# STANDARD FLANGES

PUMP	DISCH. (INCH)	INLET (INCH)	HL	X	Y	Z	CP
3Q	3.00	4.00	4.94	7.50	4.75	6.13	19.62



NOTES:

- 1) All Dimension $\pm .13$
- 2) Dimension * C will vary based on motor brand

CONNECTIONS FOR 125# STANDARD FLANGES

Motor Frame	Base No.	Riser No.	Guard No.	Guard Ext.	* C	HA	HB	HD	HE	HF	HG	HH	HP	HT	BH
213T	135888-01	135305	135102	135926	17.89	16.00	40.00	11.50	7.25	32.00	0.31	0.75	4.00	4.00	3.50
215T	135888-01	135305	135102	135926	17.89	16.00	40.00	11.50	7.25	32.00	0.31	0.75	4.00	4.00	3.50
254T	135930	135307	135102	135926	23.29	18.00	46.50	11.50	8.25	38.50	0.31	0.75	4.00	4.00	3.50
256T	135930	135307	135102	135926	23.29	18.00	46.50	11.50	8.25	38.50	0.31	0.75	4.00	4.00	3.50
284TS	135317-01	*Q70-29-E4	135102	135926	27.76	19.00	46.00	11.50	8.50	38.00	0.31	0.75	4.00	3.50	3.50
286TS	135317-01	*Q70-29-E4	135102	135926	27.76	19.00	46.00	11.50	8.50	38.00	0.31	0.75	4.00	3.50	3.50
324TS	135316-02	N/A	135625	-	28.78	22.00	51.00	11.75	10.00	43.00	0.31	0.75	4.00	3.50	3.50
326TS	135316-02	N/A	135625	-	28.78	22.00	51.00	11.75	10.00	43.00	0.31	0.75	4.00	3.50	3.50
364TS	135315-01	N/A	135625	-	31.36	24.00	52.00	12.63	11.00	44.00	0.31	0.75	4.00	3.50	3.50

* = Quantity 4 Spacer Blocks.

Type "Q"

Models 3Q, Medium
Metric (Millimeters)

WEINMAN®

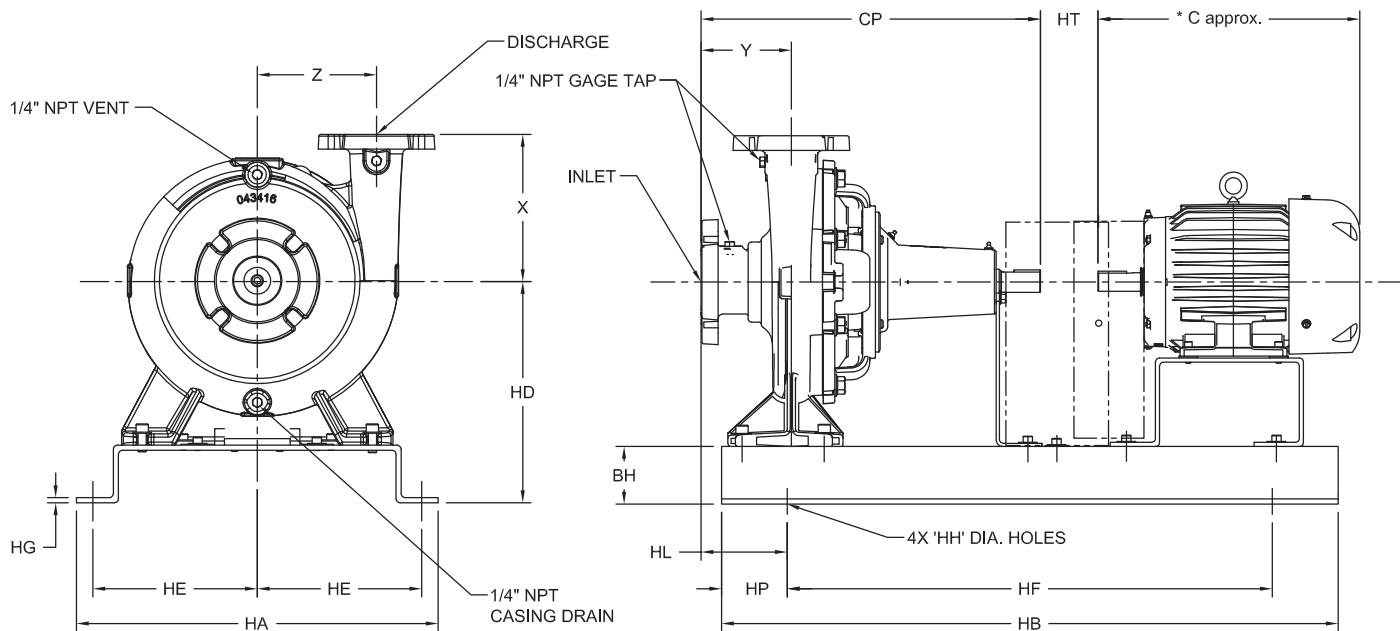
www.cranepumps.com

End Suction Back Pull-Out

PUMP NO.		PUMP: TDH: GPM:		MOTOR: HP: RPM: PHASE: ENCLOSURE:		VOLTS: HZ: FRAME:	
FOR:		DATE:		FIGURE NO:			
CERT. BY:							

CONNECTIONS FOR 125# STANDARD FLANGES

PUMP	DISCH. (INCH)	INLET (INCH)	HL	X	Y	Z	CP
3Q	3.00	4.00	125	191	121	156	498



- NOTES:
 1) All Dimension \pm 3mm
 2) Dimension * C will vary based on motor brand

CONNECTIONS FOR 125# STANDARD FLANGES

Motor Frame	Base No.	Riser No.	Guard No.	Guard Ext.	* C	HA	HB	HD	HE	HF	HG	HH	HP	HT	BH
213T	135888-01	135305	135102	135926	454	406	1016	292	184	813	8	19	102	102	89
215T	135888-01	135305	135102	135926	454	406	1016	292	184	813	8	19	102	102	89
256T	135930	135307	135102	135926	592	457	1181	292	210	978	8	19	102	102	89
254T	135930	135307	135102	135926	592	457	1181	292	210	978	8	19	102	102	89
284TS	135317-01	*Q70-29-E4	135102	135926	705	483	1168	292	216	965	8	19	102	89	89
286TS	135317-01	*Q70-29-E4	135102	135926	705	483	1168	292	216	965	8	19	102	89	89
324TS	135316-02	N/A	135625	-	731	559	1295	298	254	1092	8	19	102	89	89
326TS	135316-02	N/A	135625	-	731	559	1295	298	254	1092	8	19	102	89	89
364TS	135315-01	N/A	135625	-	797	610	1321	321	279	1118	8	19	102	89	89

* = Quantity 4 Spacer Blocks.

SECTION 575
PAGE 74
DATE 11/16

CRANE
A Crane Co. Company

PUMPS & SYSTEMS

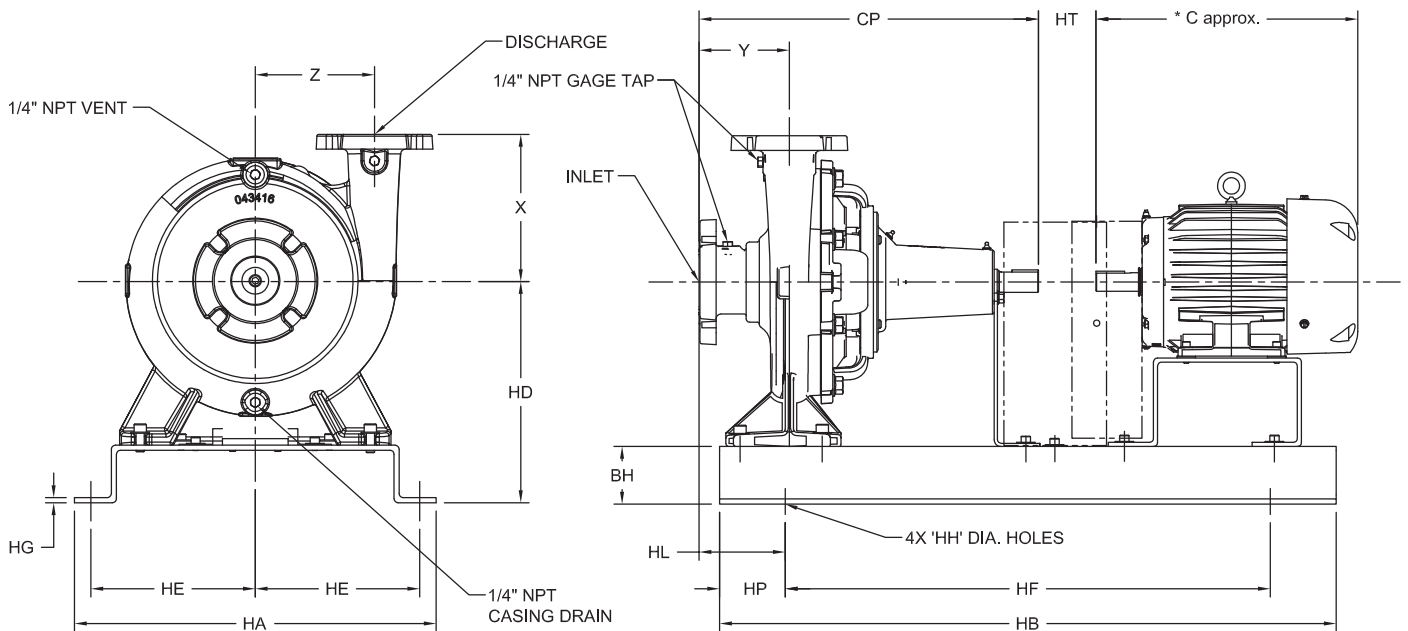
USA: (937) 778-8947 • Canada: (905) 457-6223 • International: (937) 615-3598

End Suction Back Pull-Out

PUMP NO.	PUMP:	MOTOR:	VOLTS:
FOR:	TDH:	HP:	HZ:
CERT. BY:	GPM:	RPM:	FRAME:
DATE:	FIGURE NO:	PHASE:	ENCLOSURE:

CONNECTIONS FOR 125# STANDARD FLANGES

PUMP	DISCH. (INCH)	INLET (INCH)	HL	X	Y	Z	CP
4Q	4.00	5.00	5.25	8.00	5.00	7.00	16.81



- NOTES:
 1) All Dimension $\pm .13$
 2) Dimension * C will vary based on motor brand

CONNECTIONS FOR 125# STANDARD FLANGES

Motor Frame	Base No.	Riser No.	Guard No.	Guard Ext.	* C	HA	HB	HD	HE	HF	HG	HH	HP	HT	BH
182T	135303-01	134899	135338	135332	15.93	16.00	33.25	13.50	7.25	25.25	0.31	0.75	4.00	3.50	3.50
184T	135303-01	134899	135338	135332	15.93	16.00	33.25	13.50	7.25	25.25	0.31	0.75	4.00	3.50	3.50
213T	135306	135309	135101	135975	17.89	16.00	36.00	13.50	7.25	28.00	0.31	0.75	4.00	3.50	3.50
215T	135306	135309	135101	135975	17.89	16.00	36.00	13.50	7.25	28.00	0.31	0.75	4.00	3.50	3.50

* = Quantity 4 Spacer Blocks.

Type "Q"

Models 4Q, Small
Metric (Millimeters)

WEINMAN®

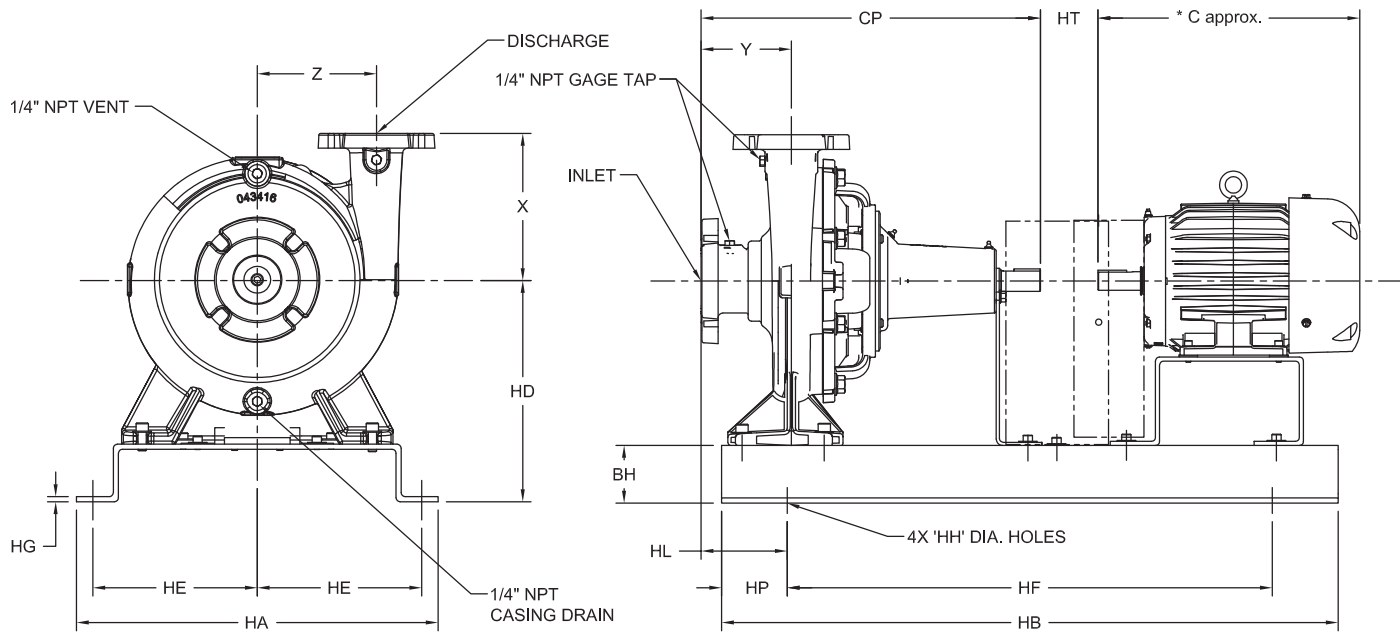
www.cranepumps.com

End Suction Back Pull-Out

PUMP NO.	PUMP:	MOTOR:	VOLTS:
FOR:	TDH:	HP:	HZ:
CERT. BY:	GPM:	RPM:	FRAME:
DATE:	FIGURE NO:	PHASE:	
		ENCLOSURE:	

CONNECTIONS FOR 125# STANDARD FLANGES

PUMP	DISCH. (INCH)	INLET (INCH)	HL	X	Y	Z	CP
4Q	4.00	5.00	133	203	127	178	427



- NOTES:
 1) All Dimension \pm 3mm
 2) Dimension * C will vary based on motor brand

CONNECTIONS FOR 125# STANDARD FLANGES

Motor Frame	Base No.	Riser No.	Guard No.	Guard Ext.	* C	HA	HB	HD	HE	HF	HG	HH	HP	HT	BH
182T	135303-01	134899	135338	135332	405	406	845	343	184	641	8	19	102	89	89
184T	135303-01	134899	135338	135332	405	406	845	343	184	641	8	19	102	89	89
213T	135306	135309	135101	135975	454	406	914	343	184	711	8	19	102	89	89
215T	135306	135309	135101	135975	454	406	914	343	184	711	8	19	102	89	89

* = Quantity 4 Spacer Blocks.

SECTION 575
PAGE 76
DATE 11/16

CRANE
®

A Crane Co. Company

PUMPS & SYSTEMS

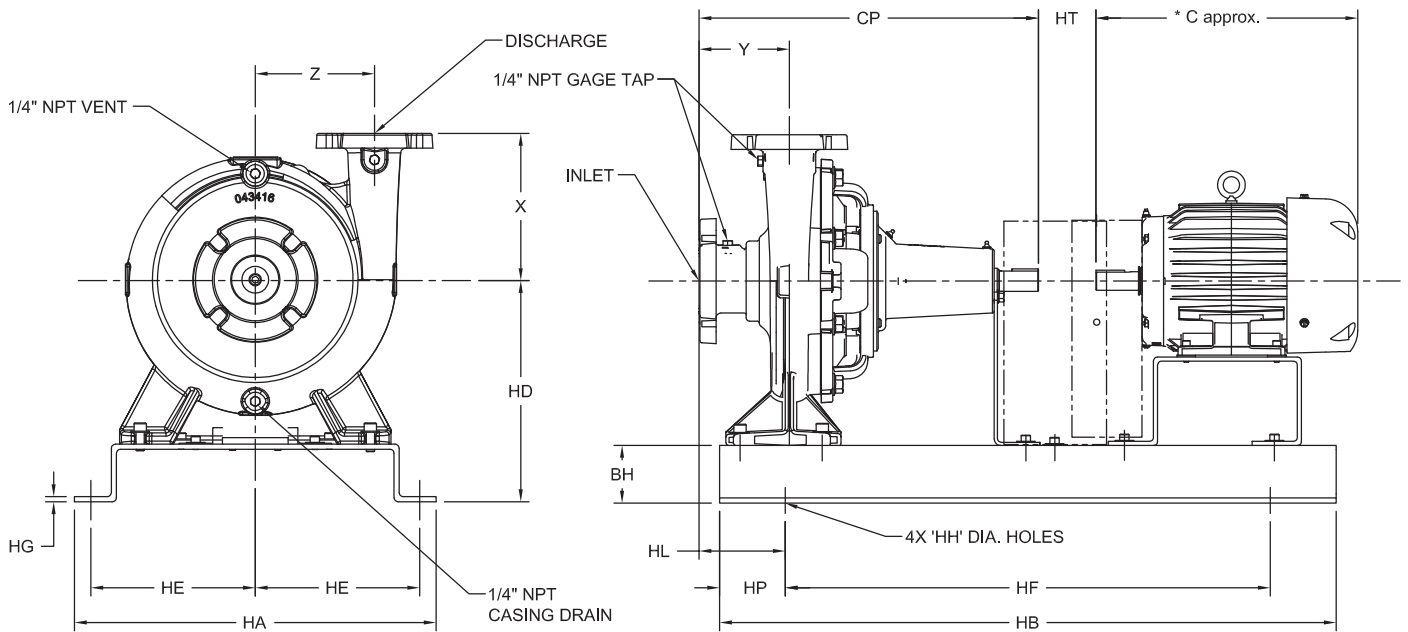
USA: (937) 778-8947 • Canada: (905) 457-6223 • International: (937) 615-3598

End Suction Back Pull-Out

PUMP NO.	PUMP:	MOTOR:	VOLTS:
FOR:	TDH:	HP:	HZ:
CERT. BY:	GPM:	RPM:	FRAME:
DATE:	FIGURE NO:	PHASE:	ENCLOSURE:

CONNECTIONS FOR 125# STANDARD FLANGES

PUMP	DISCH. (INCH)	INLET (INCH)	HL	X	Y	Z	CP
4Q	4.00	5.00	5.25	8.00	5.00	7.00	19.89



- NOTES:
 1) All Dimension $\pm .13$
 2) Dimension * C will vary based on motor brand

CONNECTIONS FOR 125# STANDARD FLANGES

Motor Frame	Base No.	Riser No.	Guard No.	Guard Ext.	* C	HA	HB	HD	HE	HF	HG	HH	HP	HT	BH
184T	135306-01	134899	135338	135332	15.93	16.00	36.00	13.50	7.25	28.00	0.31	0.75	4.00	3.50	3.50
213T	135888-02	135309	135101	N/A	17.89	16.00	40.00	13.50	7.25	32.00	0.31	0.75	4.00	3.50	3.50
215T	135888-02	135309	135101	N/A	17.89	16.00	40.00	13.50	7.25	32.00	0.31	0.75	4.00	3.50	3.50
254T	135313	135312	135101	135975	23.28	18.00	43.75	13.50	8.25	35.75	0.31	0.75	4.00	3.50	3.50
256T	135313	135312	135101	135975	23.28	18.00	43.75	13.50	8.25	35.75	0.31	0.75	4.00	3.50	3.50

* = Quantity 4 Spacer Blocks.



Type "Q"

Models 4Q, Medium
Metric (Millimeters)

WEINMAN®

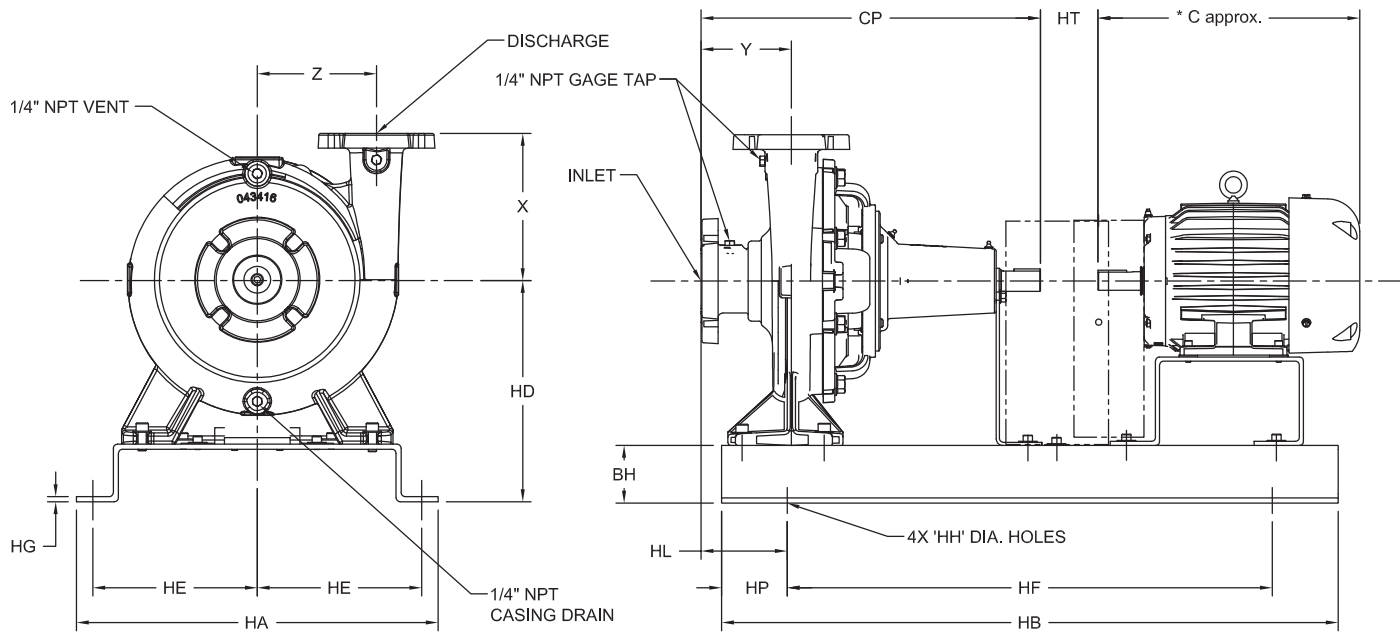
www.cranepumps.com

End Suction Back Pull-Out

PUMP NO.		PUMP: TDH: GPM:		MOTOR: HP: RPM: PHASE: ENCLOSURE:		VOLTS: HZ: FRAME:	
FOR:		DATE:		FIGURE NO:			
CERT. BY:							

CONNECTIONS FOR 125# STANDARD FLANGES

PUMP	DISCH. (INCH)	INLET (INCH)	HL	X	Y	Z	CP
4Q	4.00	5.00	133	203	127	178	505



- NOTES:
1) All Dimension \pm 3mm
2) Dimension * C will vary based on motor brand

CONNECTIONS FOR 125# STANDARD FLANGES

Motor Frame	Base No.	Riser No.	Guard No.	Guard Ext.	* C	HA	HB	HD	HE	HF	HG	HH	HP	HT	BH
184T	135306-01	134899	135338	135332	405	406	914	343	184	711	8	19	102	89	89
213T	135888-02	135309	135101	N/A	454	406	1016	343	184	813	8	19	102	89	89
215T	135888-02	135309	135101	N/A	454	406	1016	343	184	813	8	19	102	89	89
254T	135313	135312	135101	135975	591	457	1111	343	210	908	8	19	102	89	89
256T	135313	135312	135101	135975	591	457	1111	343	210	908	8	19	102	89	89

* = Quantity 4 Spacer Blocks.

SECTION 575
PAGE 78
DATE 11/16

CRANE
A Crane Co. Company

PUMPS & SYSTEMS

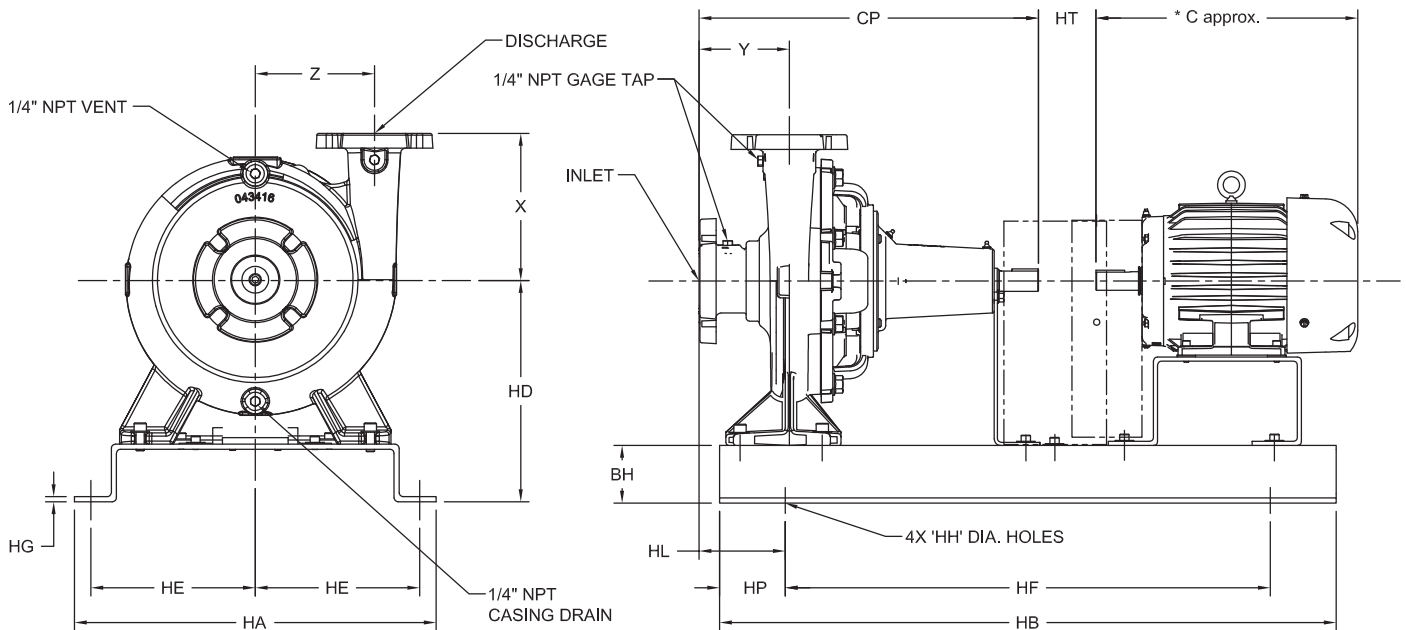
USA: (937) 778-8947 • Canada: (905) 457-6223 • International: (937) 615-3598

End Suction Back Pull-Out

PUMP NO.	PUMP:	MOTOR:	VOLTS:
FOR:	TDH:	HP:	HZ:
CERT. BY:	GPM:	RPM:	FRAME:
DATE:	FIGURE NO:	PHASE:	
		ENCLOSURE:	

CONNECTIONS FOR 125# STANDARD FLANGES

PUMP	DISCH. (INCH)	INLET (INCH)	HL	X	Y	Z	CP
5Q	5.00	6.00	5.88	10.00	6.00	7.50	18.44



- NOTES:
 1) All Dimension $\pm .13$
 2) Dimension * C will vary based on motor brand

CONNECTIONS FOR 125# STANDARD FLANGES

Motor Frame	Base No.	Riser No.	Guard No.	Guard Ext.	* C	HA	HB	HD	HE	HF	HG	HH	HP	HT	BH
213T	135321	134897	135337	N/A	17.89	22.00	37.00	14.50	10.00	29.00	0.31	0.75	4.00	3.50	3.50
215T	135321	134897	135337	N/A	17.89	22.00	37.00	14.50	10.00	29.00	0.31	0.75	4.00	3.50	3.50
254T	134898-02	134892	135335	N/A	23.28	22.00	40.00	14.50	10.00	32.00	0.31	0.75	4.00	3.50	3.50
256T	134898-02	134892	135335	N/A	23.28	22.00	40.00	14.50	10.00	32.00	0.31	0.75	4.00	3.50	3.50

* = Quantity 4 Spacer Blocks.

Type "Q"

Models 5Q, Small
Metric (Millimeters)

WEINMAN®

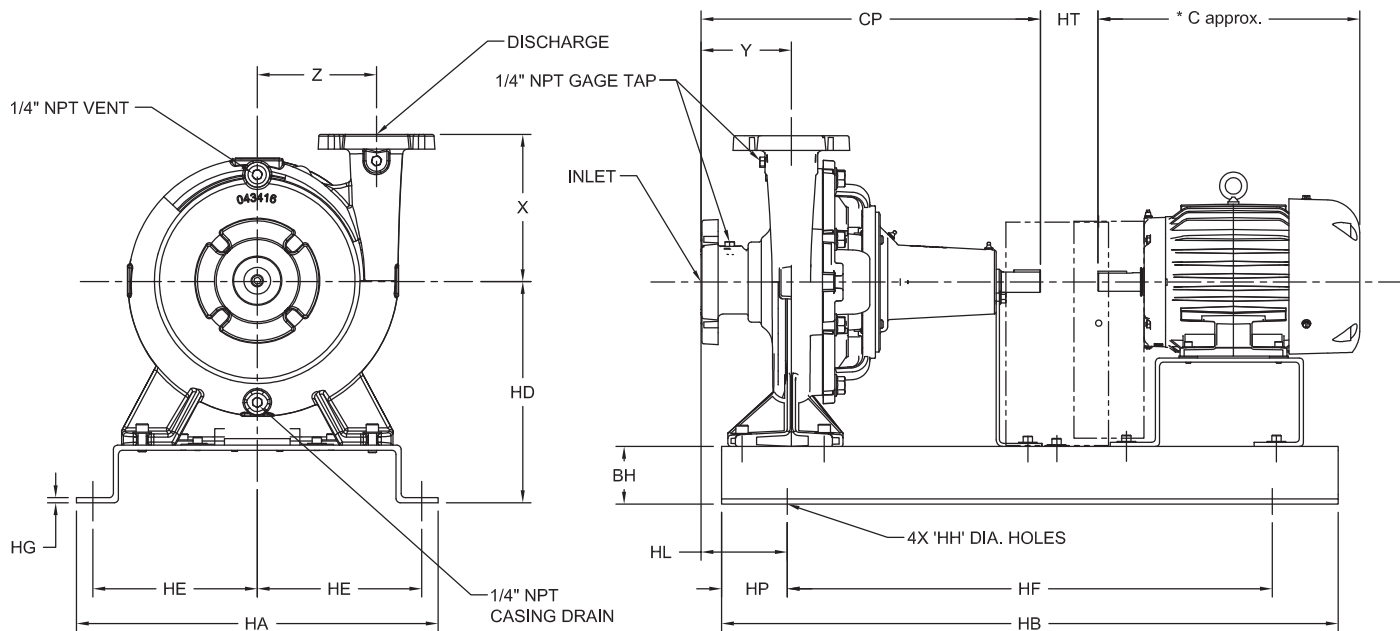
www.cranepumps.com

End Suction Back Pull-Out

PUMP NO.		PUMP: TDH: GPM:		MOTOR: HP: RPM: PHASE: ENCLOSURE:		VOLTS: HZ: FRAME:	
FOR:		DATE:		FIGURE NO:			
CERT. BY:							

CONNECTIONS FOR 125# STANDARD FLANGES

PUMP	DISCH. (INCH)	INLET (INCH)	HL	X	Y	Z	CP
5Q	5.00	6.00	149	254	152	191	468



- NOTES:
1) All Dimension \pm 3mm
2) Dimension * C will vary based on motor brand

CONNECTIONS FOR 125# STANDARD FLANGES

Motor Frame	Base No.	Riser No.	Guard No.	Guard Ext.	* C	HA	HB	HD	HE	HF	HG	HH	HP	HT	BH
213T	135321	134897	135337	N/A	454	559	940	368	254	737	8	19	102	89	89
215T	135321	134897	135337	N/A	454	559	940	368	254	737	8	19	102	89	89
254T	134898-02	134892	135335	N/A	591	559	1016	368	254	813	8	19	102	89	89
256T	134898-02	134892	135335	N/A	591	559	1016	368	254	813	8	19	102	89	89

* = Quantity 4 Spacer Blocks.

SECTION 575
PAGE 80
DATE 11/16

CRANE
A Crane Co. Company

PUMPS & SYSTEMS

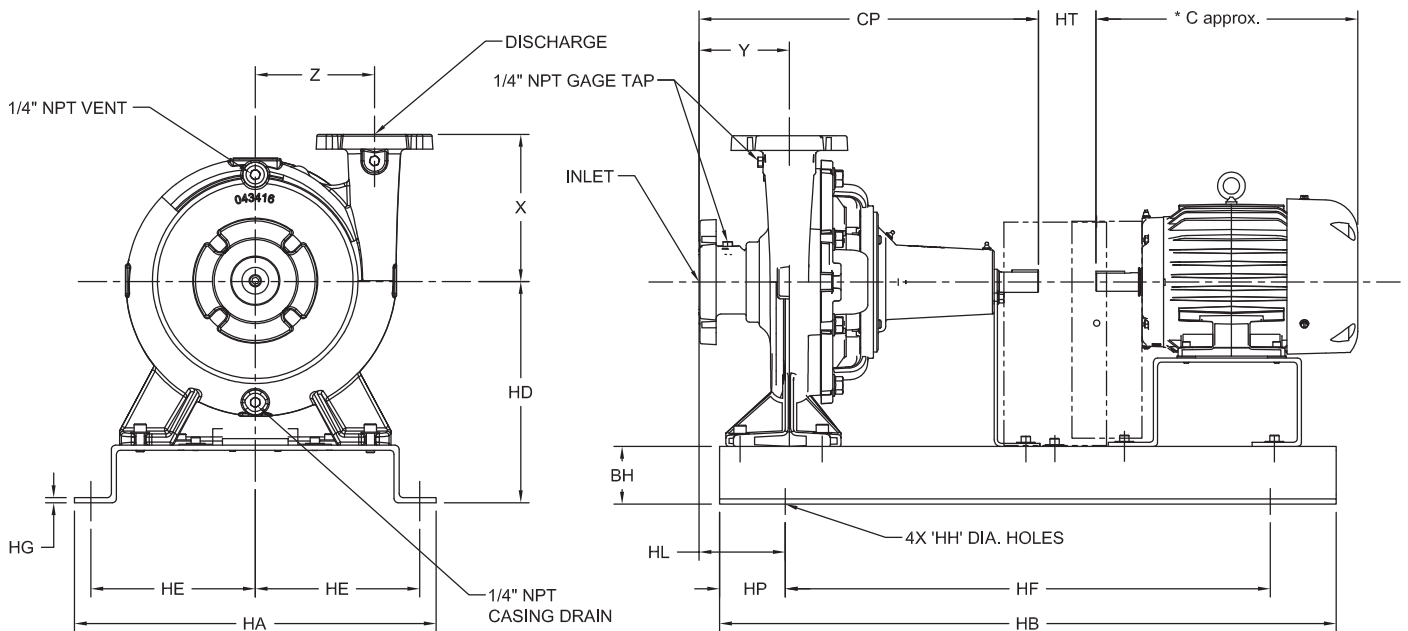
USA: (937) 778-8947 • Canada: (905) 457-6223 • International: (937) 615-3598

End Suction Back Pull-Out

PUMP NO.	PUMP:	MOTOR:	VOLTS:
FOR:	TDH:	HP:	HZ:
CERT. BY:	GPM:	RPM:	FRAME:
DATE:	FIGURE NO:	PHASE:	ENCLOSURE:

CONNECTIONS FOR 125# STANDARD FLANGES

PUMP	DISCH. (INCH)	INLET (INCH)	HL	X	Y	Z	CP
5Q	5.00	6.00	5.88	10.00	6.00	7.50	21.52
6Q	6.00	8.00	7.81	10.50	7.00	8.25	22.45



NOTES:

- 1) All Dimension $\pm .13$
- 2) Dimension * C will vary based on motor brand

CONNECTIONS FOR 125# STANDARD FLANGES

Motor Frame	Base No.	Riser No.	Guard No.	Guard Ext.	* C	HA	HB	HD	HE	HF	HG	HH	HP	HT	BH
213T	134898	134897	135337	N/A	17.89	22.00	40.00	14.50	10.00	32.00	0.31	0.75	4.00	3.50	3.50
215T	134898	134897	135337	N/A	17.89	22.00	40.00	14.50	10.00	32.00	0.31	0.75	4.00	3.50	3.50
254T 5Q	134893-02	134892	135335	135324	23.28	22.00	45.00	14.50	10.00	37.00	0.31	0.75	4.00	3.50	3.50
254T 6Q	134893-01														
256T 5Q	134893-02	134892	135335	135324	23.28	22.00	45.00	14.50	10.00	37.00	0.31	0.75	4.00	3.50	3.50
256T 6Q	134893-01														
284T	134896	134891	135335	135324	27.76	22.00	49.50	14.50	10.00	41.50	0.31	0.75	4.00	3.50	3.50
286T	134896	134891	135335	135324	27.76	22.00	49.50	14.50	10.00	41.50	0.31	0.75	4.00	3.50	3.50
324T	134896	134889	135335	135324	30.28	22.00	49.50	14.50	10.00	41.50	0.31	0.75	4.00	3.50	3.50

* = Quantity 4 Spacer Blocks.

Type "Q"

Models 5Q, 6Q, Medium
Metric (Millimeters)

WEINMAN®

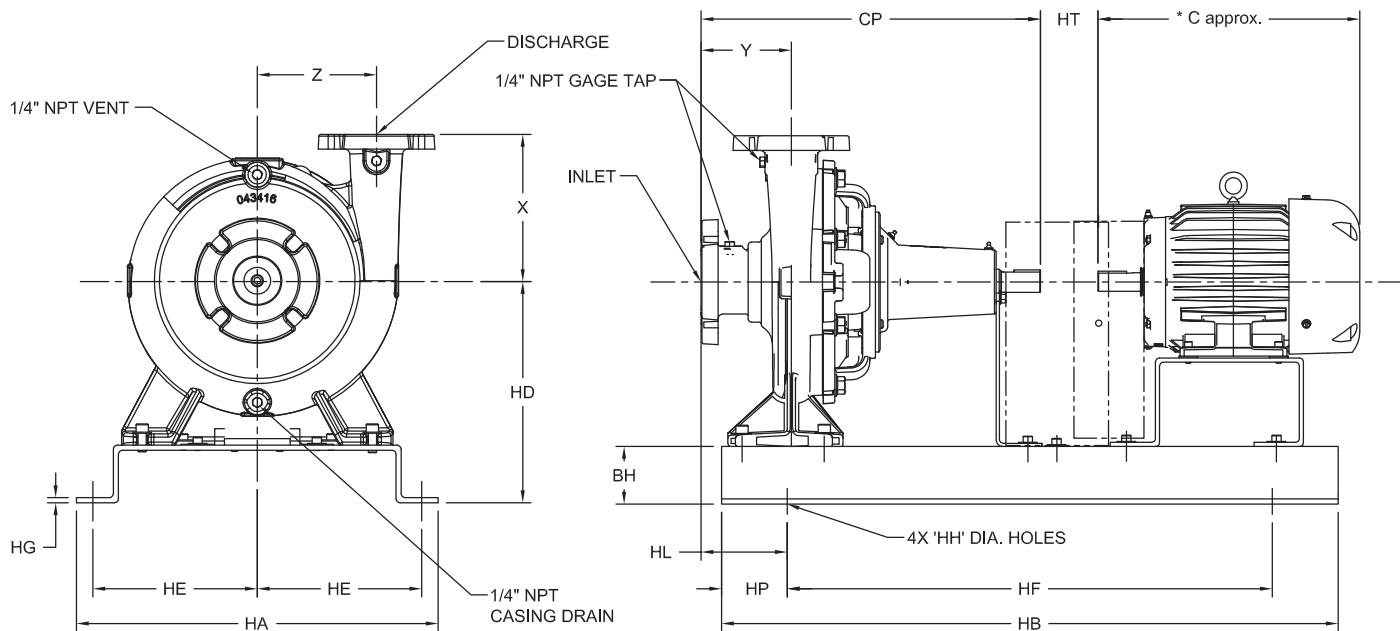
www.cranepumps.com

End Suction Back Pull-Out

PUMP NO.	PUMP:	MOTOR:	VOLTS:
FOR:	TDH:	HP:	HZ:
CERT. BY:	GPM:	RPM:	FRAME:
DATE:	FIGURE NO:	PHASE:	
		ENCLOSURE:	

CONNECTIONS FOR 125# STANDARD FLANGES

PUMP	DISCH. (INCH)	INLET (INCH)	HL	X	Y	Z	CP
5Q	5.00	6.00	149	254	152	191	547
6Q	6.00	8.00	198	267	178	210	570



- NOTES:
 1) All Dimension \pm 3mm
 2) Dimension * C will vary based on motor brand

CONNECTIONS FOR 125# STANDARD FLANGES

Motor Frame	Base No.	Riser No.	Guard No.	Guard Ext.	* C	HA	HB	HD	HE	HF	HG	HH	HP	HT	BH
213T	134898	134897	135337	N/A	454	559	1016	368	254	813	8	19	102	89	89
215T	134898	134897	135337	N/A	454	559	1016	368	254	813	8	19	102	89	89
254T 5Q	134893-02	134892	135335	135324	591	559	1143	368	254	940	8	19	102	89	89
254T 6Q	134893-01														
256T 5Q	134893-02	134892	135335	135324	591	559	1143	368	254	940	8	19	102	89	89
256T 6Q	134893-01														
284T	134896	134891	135335	135324	705	559	1257	368	254	1054	8	19	102	89	89
286T	134896	134891	135335	135324	705	559	1257	368	254	1054	8	19	102	89	89
324T	134896	134889	135335	135324	769	559	1257	368	254	1054	8	19	102	89	89

* = Quantity 4 Spacer Blocks.

SECTION 575
PAGE 82
DATE 11/16



A Crane Co. Company

PUMPS & SYSTEMS

USA: (937) 778-8947 • Canada: (905) 457-6223 • International: (937) 615-3598