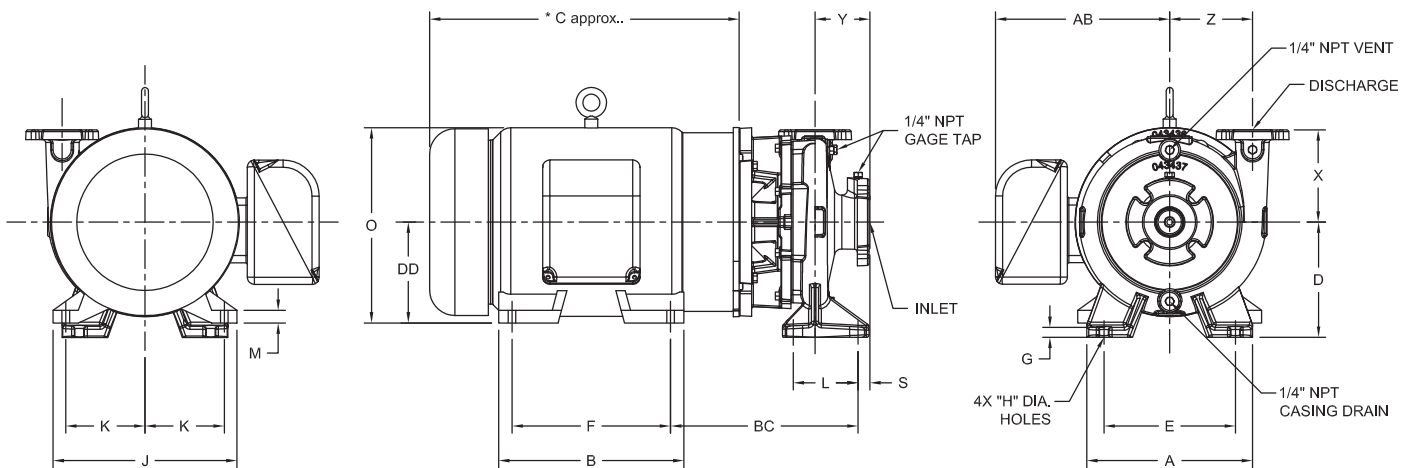


### End Suction Back Pull-Out

PUMP NO.		PUMP:		HP:	
FOR:		TDH:		VOLTS/PHASE:	
CERT. BY:		GPM:		HZ:	
DATE:		PUMP SIZE:		FRAME:	
		RPM:		ENCLOSURE:	

#### CONNECTIONS FOR 125# STANDARD FLANGES

Pump	Disch. (INCH)	Inlet (INCH)	A	D	E	G	H	L	S	X	Y	Z
5S	5.0	6.0	21.50	14.25	17.62	1.00	0.75	5.90	3.55	12.38	5.75	10.10



**NOTES:**

- 1) All Dimension  $\pm .13$
- 2) Motor dimensions F, K and DD are NEMA Standard, all other motor dimensions may vary based on motor brand

#### CONNECTIONS FOR 125# STANDARD FLANGES

Motor Frame	B	* C approx	F	J	K	M	O	AB	BC	DD
284JM	12.84	27.17	9.50	14.00	5.50	1.02	14.63	13.13	13.60	7.00
286JM	13.75	28.70	11.00	14.00	5.50	1.02	14.63	13.13	13.60	7.00
324JM	14.00	28.15	10.50	16.00	6.25	1.30	16.50	14.13	14.10	8.00
326JM	14.57	29.65	12.00	16.00	6.25	1.30	16.50	14.13	14.10	8.00

# Type "S"

Models 5S

Metric (Millimeters)

# WEINMAN®

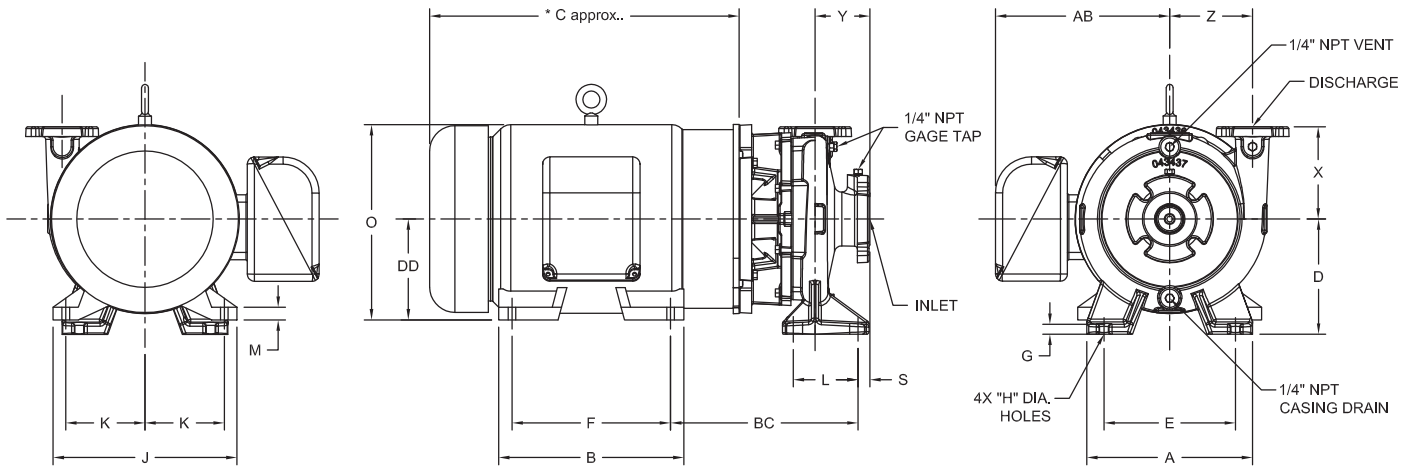
www.cranepumps.com

## End Suction Back Pull-Out

PUMP NO.		PUMP:		HP:	
FOR:		TDH:		VOLTS/PHASE:	
CERT. BY:		GPM:		HZ:	
DATE:		PUMP SIZE:		FRAME:	
		RPM:		ENCLOSURE:	

### CONNECTIONS FOR 125# STANDARD FLANGES

Pump	Disch. (INCH)	Inlet (INCH)	A	D	E	G	H	L	S	X	Y	Z
5S	5.0	6.0	546	362	448	25	19	150	90	314	146	257



**NOTES:**

- 1) All Dimension  $\pm 3\text{mm}$
- 2) Motor dimensions F, K and DD are NEMA Standard, all other motor dimensions may vary based on motor brand

### CONNECTIONS FOR 125# STANDARD FLANGES

Motor Frame	B	* C approx	F	J	K	M	O	AB	BC	DD
284JM	326	690	241	356	140	26	372	334	345	178
286JM	349	729	279	356	140	26	372	334	345	178
324JM	356	715	267	406	159	33	419	359	358	203
326JM	370	753	305	406	159	33	419	359	358	203

SECTION 375  
PAGE 80  
DATE 11/16

**CRANE**  
®

A Crane Co. Company

**PUMPS & SYSTEMS**

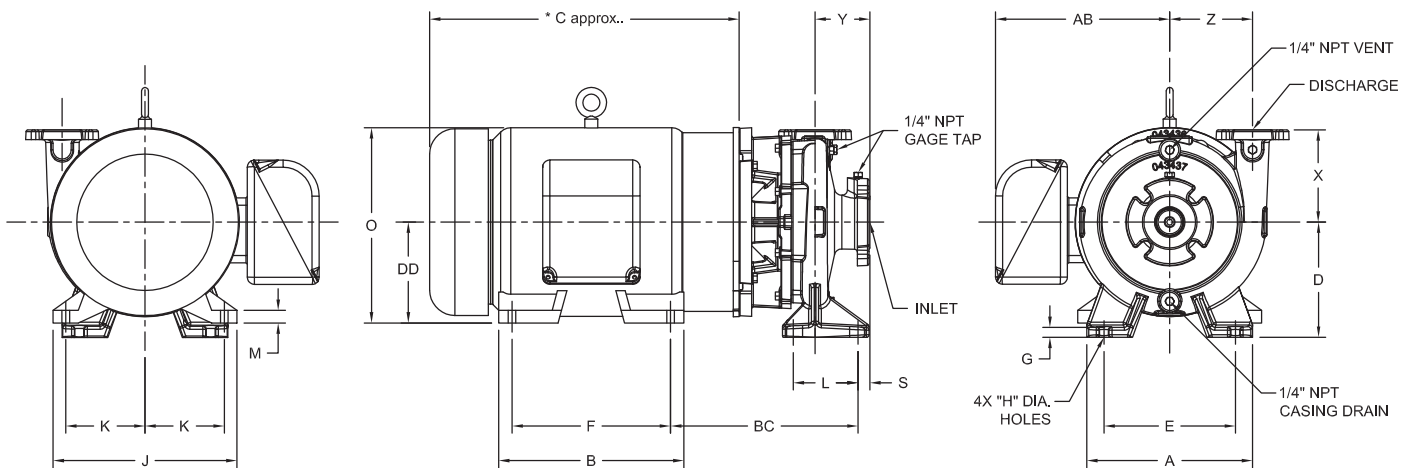
USA: (937) 778-8947 • Canada: (905) 457-6223 • International: (937) 615-3598

### End Suction Back Pull-Out

PUMP NO.				PUMP:				HP:			
FOR:				TDH:				VOLTS/PHASE:			
CERT. BY:				GPM:				HZ:			
DATE:				PUMP SIZE:				FRAME:			
				RPM:				ENCLOSURE:			

CONNECTIONS FOR 125# STANDARD FLANGES

Pump	Disch. (INCH)	Inlet (INCH)	A	D	E	G	H	L	S	X	Y	Z
6S	6.0	8.0	21.50	14.25	17.62	1.00	0.75	5.90	3.55	12.50	6.50	10.56



NOTES:

- 1) All Dimension  $\pm .13$
- 2) Motor dimensions F, K and DD are NEMA Standard, all other motor dimensions may vary based on motor brand

CONNECTIONS FOR 125# STANDARD FLANGES

Motor Frame	B	* C approx	F	J	K	M	O	AB	BC	DD
324JM	14.00	28.15	10.50	16.00	6.25	1.30	16.50	14.13	14.04	8.00
326JM	14.57	29.65	12.00	16.00	6.25	1.30	16.50	14.13	14.04	8.00

# Type "S"

Models 6S

Metric (Millimeters)

# WEINMAN®

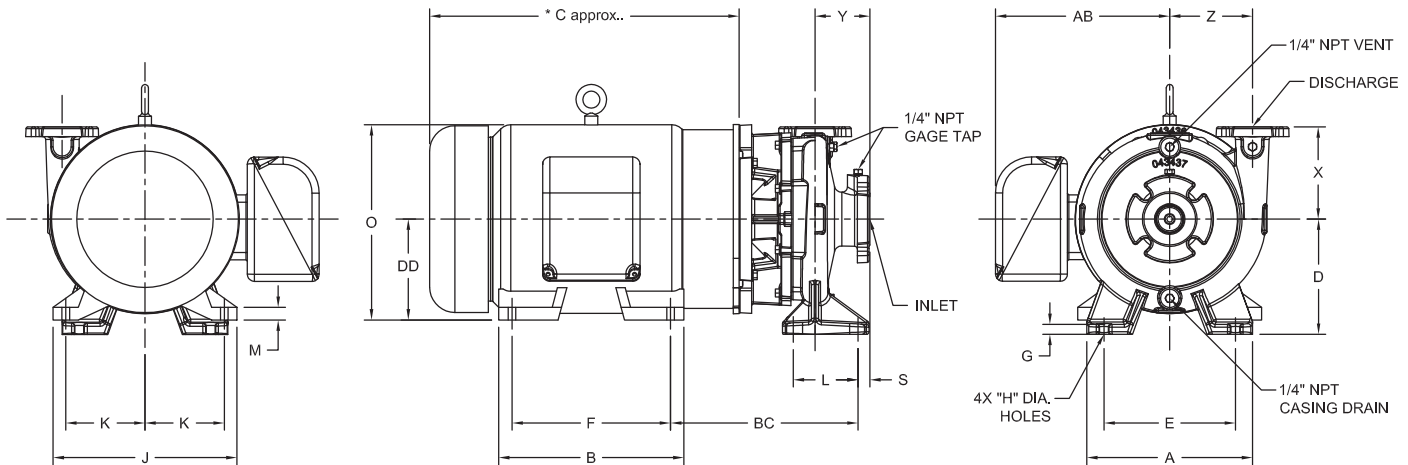
www.cranepumps.com

## End Suction Back Pull-Out

PUMP NO.		PUMP:		HP:	
FOR:		TDH:		VOLTS/PHASE:	
CERT. BY:		GPM:		HZ:	
DATE:		PUMP SIZE:		FRAME:	
		RPM:		ENCLOSURE:	

### CONNECTIONS FOR 125# STANDARD FLANGES

Pump	Disch. (INCH)	Inlet (INCH)	A	D	E	G	H	L	S	X	Y	Z
6S	6.0	8.0	546	362	448	25	19	150	90	318	165	268



**NOTES:**

- 1) All Dimension  $\pm 3\text{mm}$
- 2) Motor dimensions F, K and DD are NEMA Standard, all other motor dimensions may vary based on motor brand

### CONNECTIONS FOR 125# STANDARD FLANGES

Motor Frame	B	* C approx	F	J	K	M	O	AB	BC	DD
324JM	356	715	267	406	159	33	419	359	357	203
326JM	370	753	305	406	159	33	419	359	357	203

SECTION 375  
PAGE 82  
DATE 11/16

**CRANE**  
A Crane Co. Company

**PUMPS & SYSTEMS**