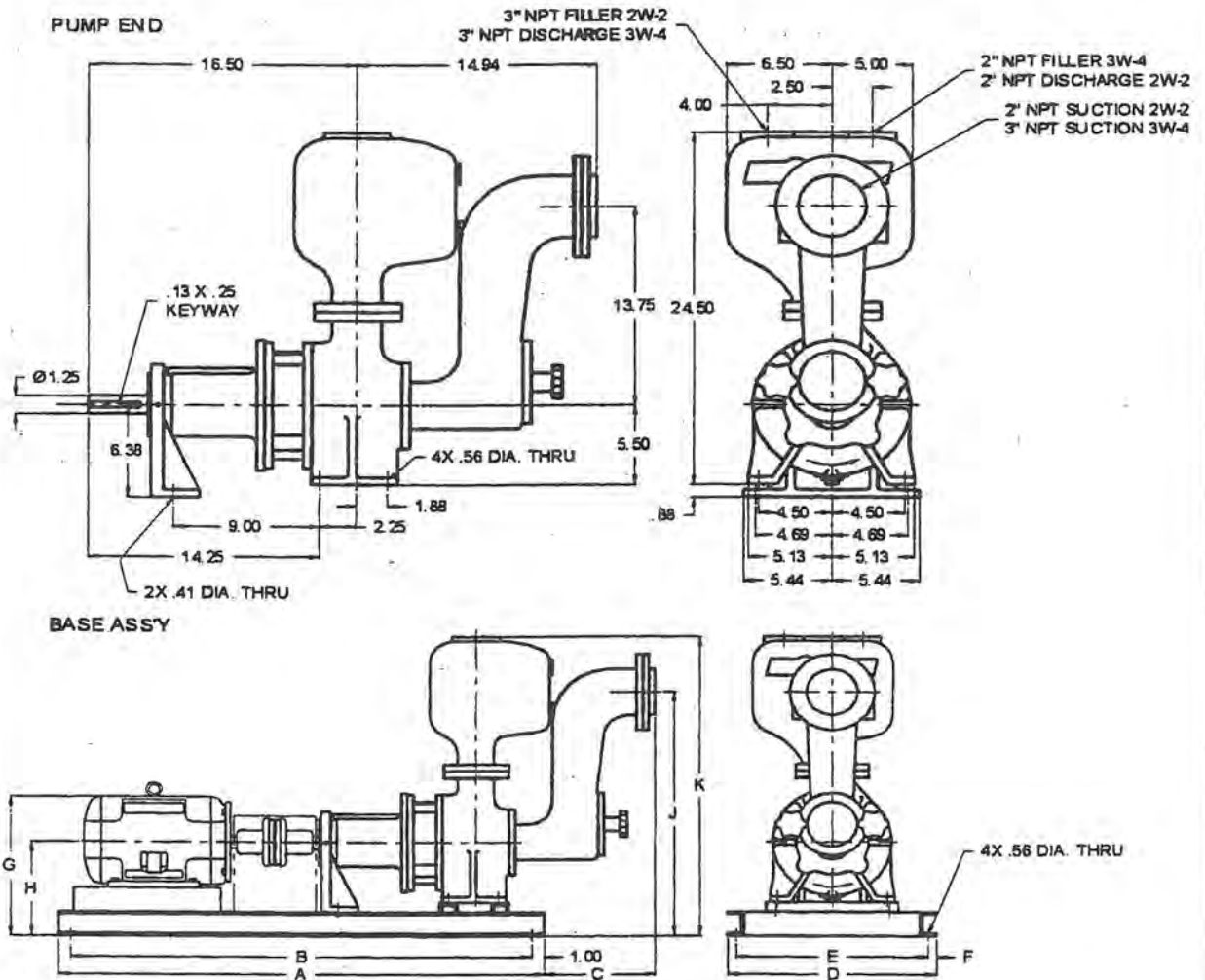


## OUTLINE DIMENSIONS MODELS 2W-2 & 3W-4 LONG COUPLED SELF-PRIMING PUMPS STANDARD (INCHES)

PUMP NO:	PUMP:	GPM:	TDH:
FOR:	HP:	RPM:	PHASE:
CERT. BY:	DATE:	CYCLE:	VOLTS:
FRAME:			

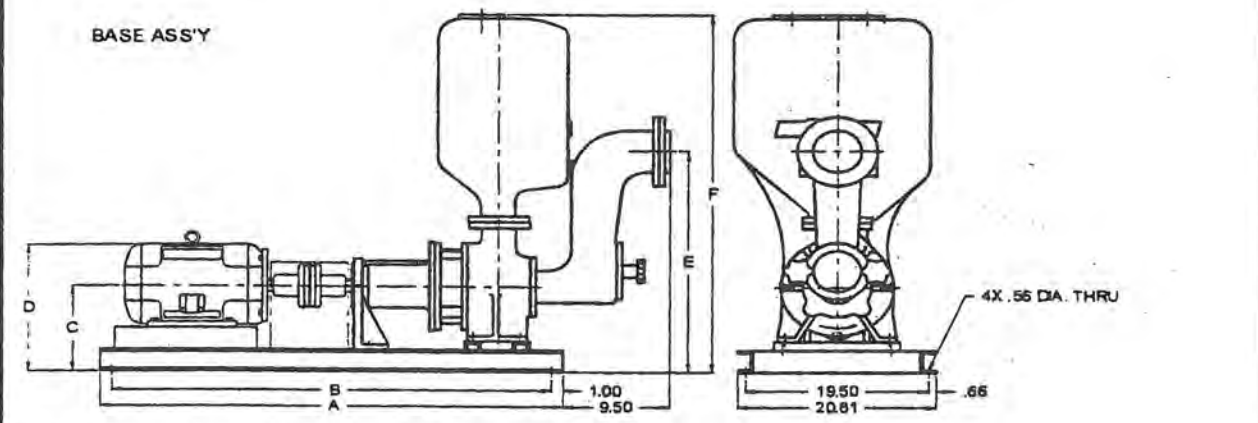
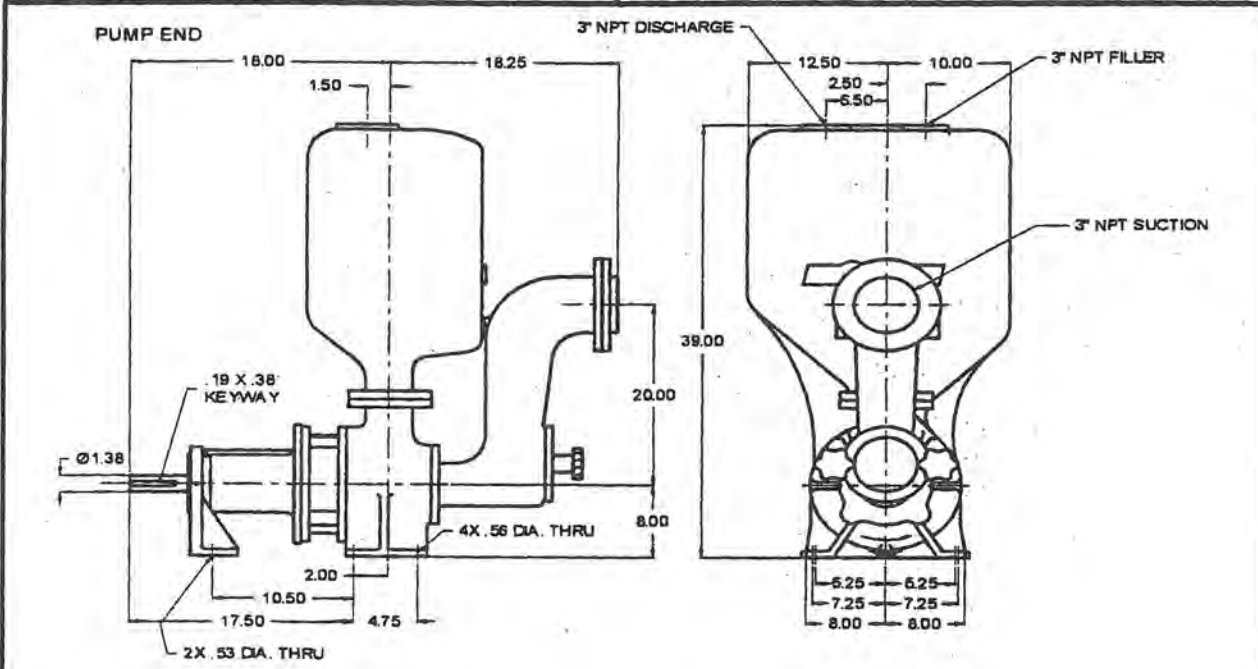


MOTOR FRAME	BASE PART No	COUPLING PART No	A	B	C	D	E	F	G	H	J	K
145T	7657	7588	36.00	34.00	9.31	17.16	15.78	0.69	11.13	7.88	21.63	26.88
182T	6988	7578	37.00	35.00	9.06	14.88	13.25	0.81	13.19			
184T	7184	7578								8.75	22.50	27.75
213T	7092	7580	40.00	38.00	9.06	14.31	13.25	0.56	13.94			
215T	7092	7580										
254T	7349	7584	43.50	41.50	9.06	15.31	14.25	0.56	16.16	9.91	23.66	28.91

# WEINMAN®

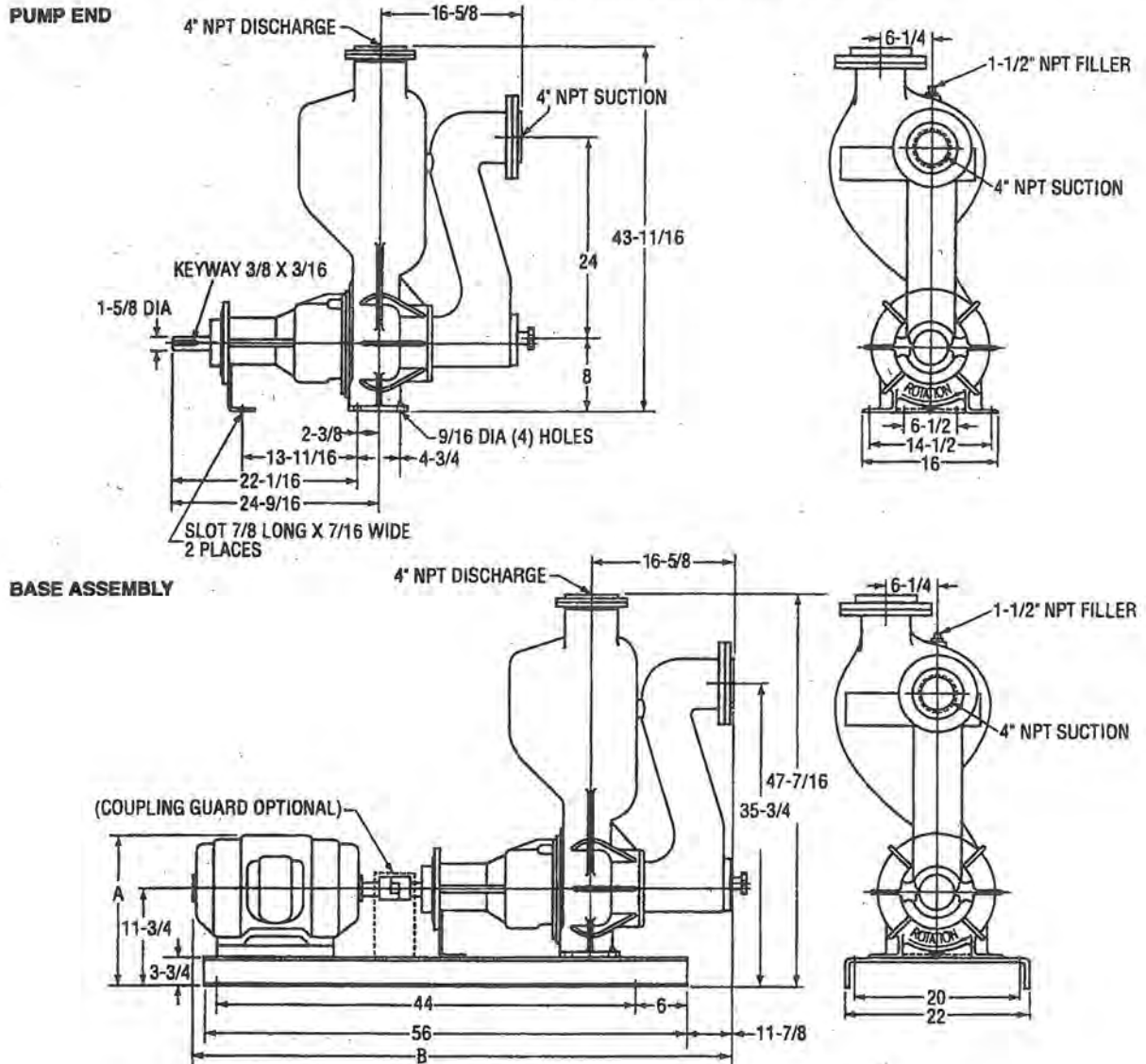
## OUTLINE DIMENSIONS MODELS 3W-2 LONG COUPLED SELF-PRIMING PUMPS STANDARD (INCHES)

PUMP NO:	PUMP:	GPM:	TDH:
FOR:	HP:	RPM:	PHASE:
CERT. BY:	DATE:	CYCLE:	VOLTS:
			FRAME:



MOTOR FRAME	BASE PART No	COUPLING PART No	A	B	C	D	E	F
182T	7667	7581	44.00	42.00	10.50	14.94	30.50	41.50
184T	6989	7581	45.00	43.00				
213T	7346	7582	46.50	44.50	11.25	16.44	31.25	42.25
215T	7346	7582						
254T	6992	7583						
256T	7056	7583	50.63	48.63	10.66	16.91	30.66	41.66
284T	7186	7585			11.41	18.28		
286T	7345	7585	52.13	50.13	9.66	16.59	31.41	42.41
324T	7127	7587	55.00	53.00	12.81	20.34		

## OUTLINE DIMENSIONS Model 4W-8 Long Coupled Self-Priming Pumps



MOTOR FRAME NO.	BASE PART NO.	A	B
213T	328447PO7	16 7/8	58 1/8
215T	328447PO7	16 7/8	59 5/8
254T	328447PO8	18 1/8	62 3/4
258T	328447PO8	18 1/8	64 1/2
284T	328447PO9	18 3/4	65 5/8
286T	328447PO9	18 3/4	67 1/8

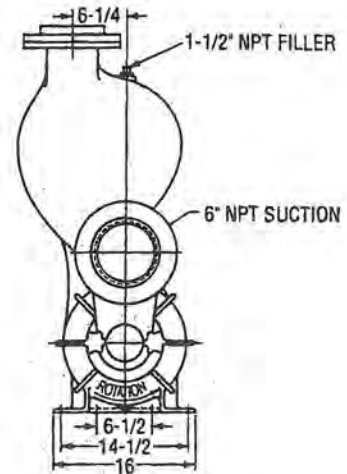
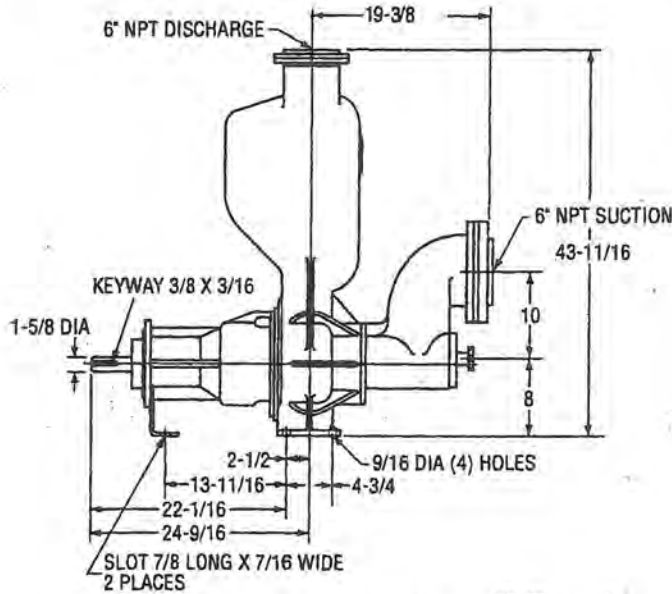
DIMENSIONS ARE IN INCHES

Supersedes Section 3300  
 Page 203, Dated June 1, 1977

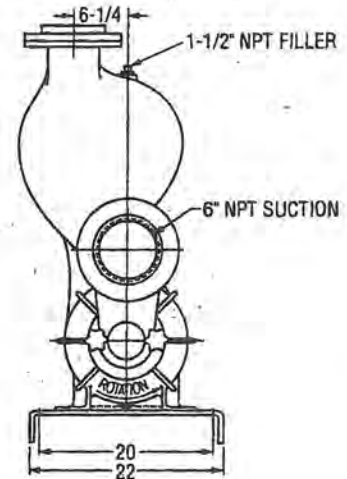
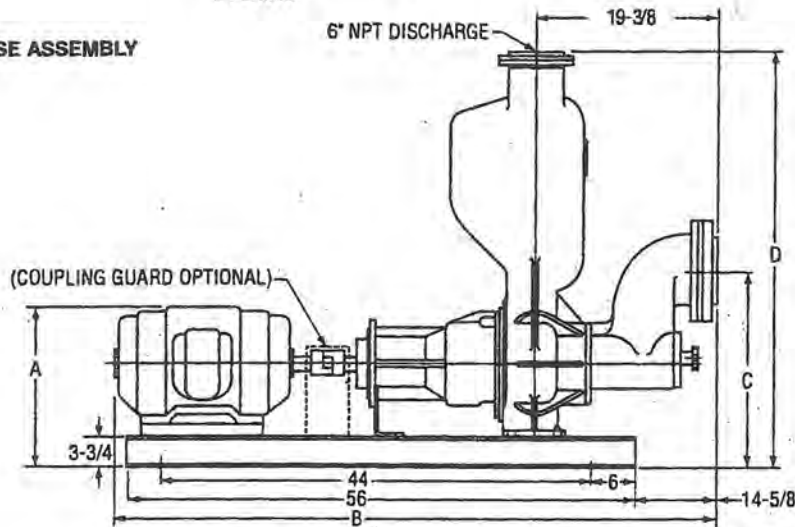
# WEINMAN®

## OUTLINE DIMENSIONS Model 6W-2 Long Coupled Self-Priming Pumps

### PUMP END



### BASE ASSEMBLY



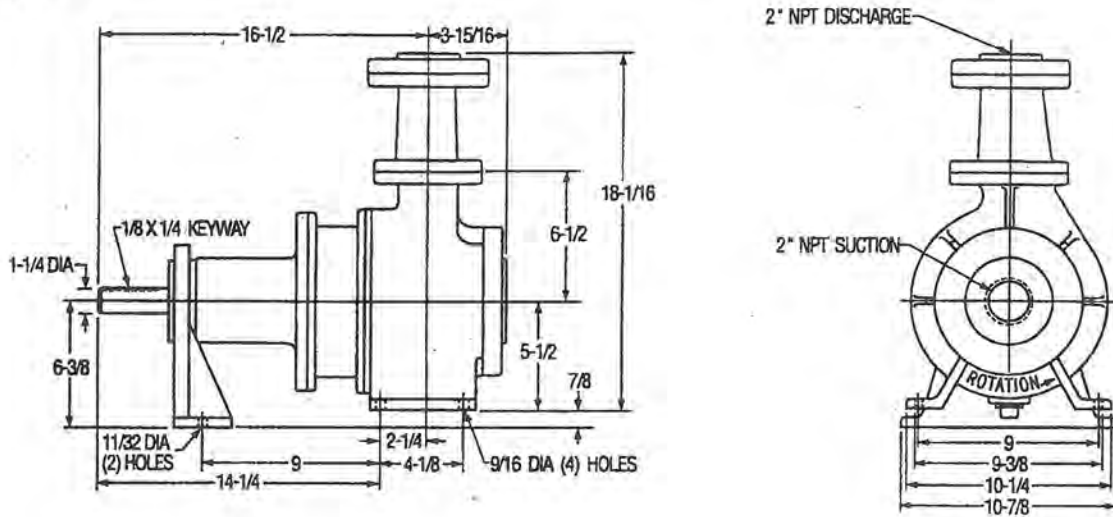
MOTOR FRAME NO.	BASE PART NO.	A	B	C	D
213T	328447PO7	16 7/8	61	22 3/4	47 1/2
215T	328447PO7	16 7/8	62 1/2	22 3/4	47 1/2
254T	328447PO8	18 1/8	65 5/8	22 3/4	47 1/2
256T	328447PO8	18 1/8	67 3/8	22 3/4	47 1/2
284T	328447PO9	18 3/4	68 1/2	22 3/4	47 1/2
286T	328447PO9	18 3/4	70	22 3/4	47 1/2
324T	328447P11	18 3/4	71 1/8	22 3/4	47 1/2
326T	328447P11	18 3/4	72 5/8	22 3/4	47 1/2
364T	328447P13	19 3/4	73 3/4	23 3/4	48 1/2

DIMENSIONS ARE IN INCHES

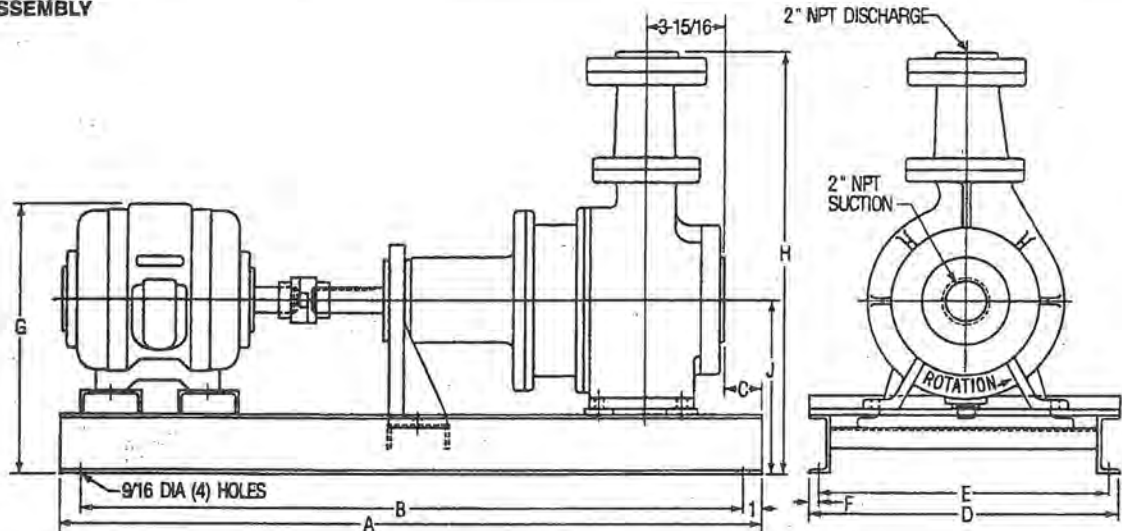
Supersedes Section 3300  
 Page 204, Dated June 1, 1977

## OUTLINE DIMENSIONS Model 2WS-2 Long Coupled Non-Self-Priming Pumps

### PUMP END



### BASE ASSEMBLY



MOTOR FRAME	BASE PART NO.	COUPLING PART NO.	A	B	C	D	E	F	G	H	J
145 T	7657	7588	36	34	1-11/16	17-5/32	15-25/32	11/16	11-1/8	20-7/16	7-7/8
182 T	6988	7578	37	35		14-7/8		13/16	13-3/16		
184 T	7184	7578			1-15/16		13-1/4			21-5/16	8-3/4
213 T	7092	7580	40	38		14-5/16				13-15/16	
215 T	7092	7580						9/16			
254 T	7349	7584	43-1/2	41-1/2		15-5/16	14-1/4		16-5/32	22-15/32	9-29/32

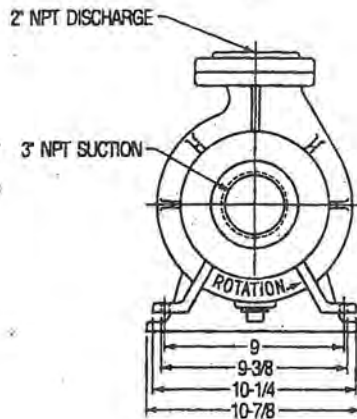
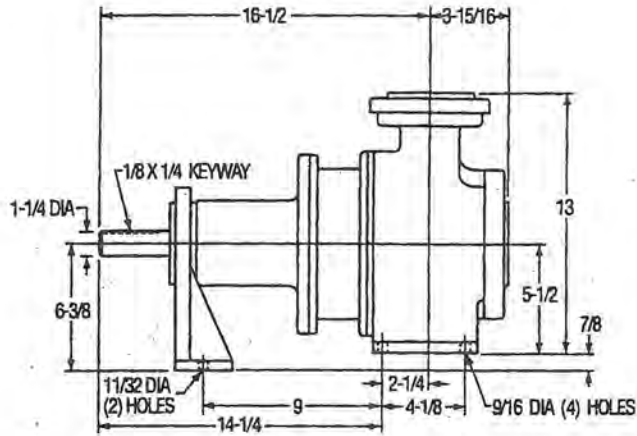
DIMENSIONS ARE IN INCHES

Supersedes Section 3300  
Page 2684, Dated January 1972

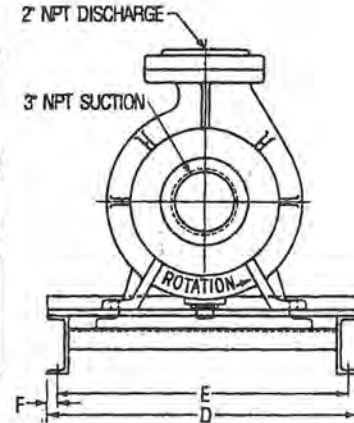
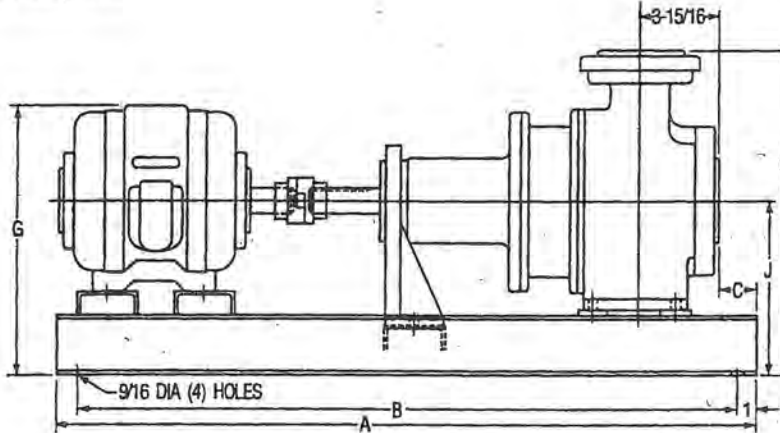
# WEINMAN®

## OUTLINE DIMENSIONS Model 3WS-4 Long Coupled Non-Self-Priming Pumps

### PUMP END



### BASE ASSEMBLY



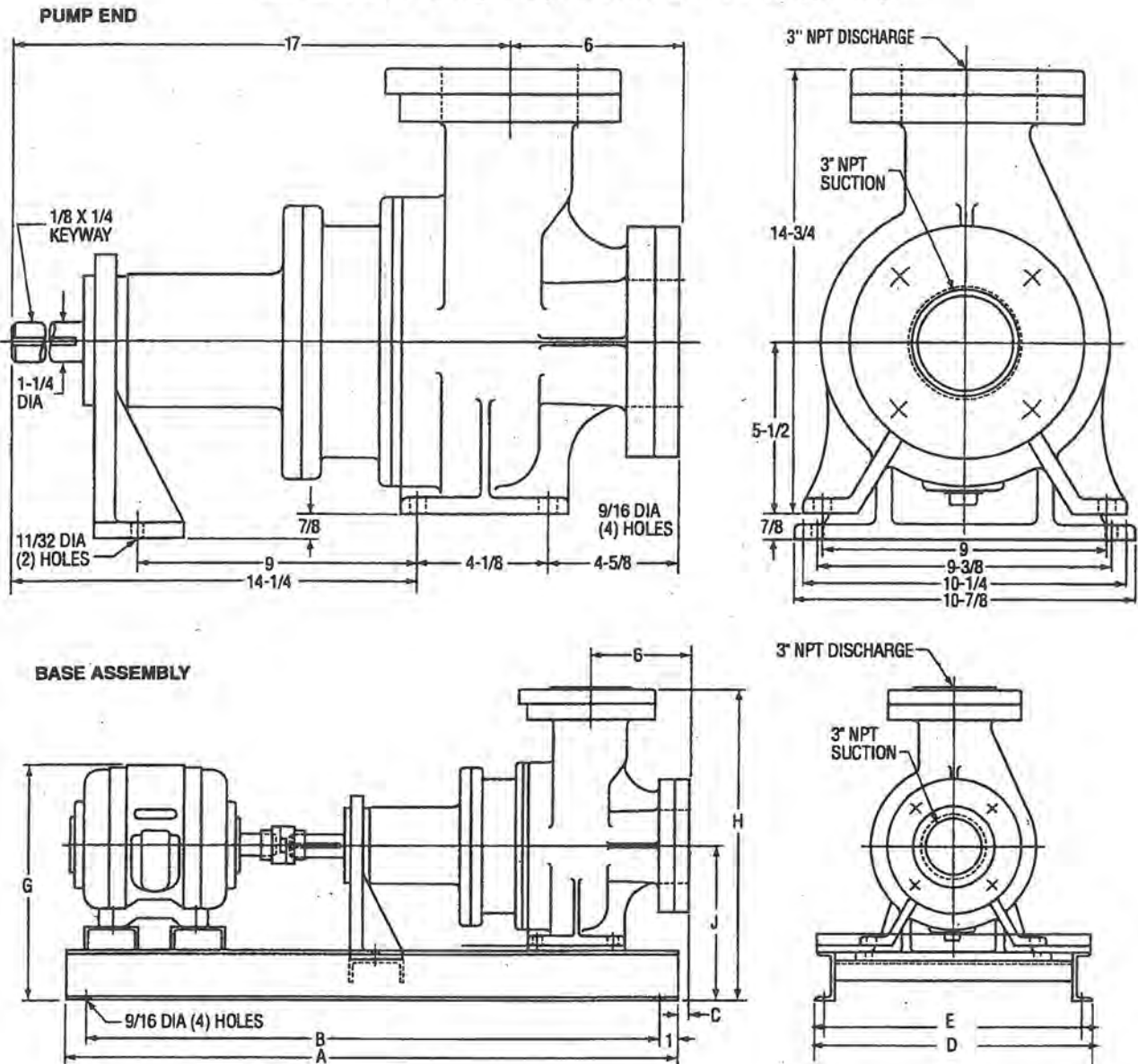
MOTOR FRAME	BASE PART NO.	COUPLING PART NO.	A	B	C	D	E	F	G	H	J
145 T	7657	7588	36	34	1-11/16	17-5/32	15-25/32	11/16	11-1/8	15-3/8	7-7/8
182 T	6988	7578	37	35	1-15/16	14-7/8	13-1/4	13/16	13-3/16	16-1/4	8-3/4
184 T	7184	7578	40	38		14-5/16	9/16	13-15/16			
213 T	7092	7580									
215 T	7092	7580	43-1/2	41-1/2	15-5/16	14-1/4	14-1/4	16-5/32	17-13/32	9-29/32	
254 T	7349	7584									

DIMENSIONS ARE IN INCHES

Supersedes Section 3300  
 Page 2685, Dated September 1975



## OUTLINE DIMENSIONS Model 3WS-5 Long Coupled NON-Self-Priming Pumps



MOTOR FRAME	BASE PART NO.	COUPLING PART NO.	A	B	C	D	E	F	G	H	J
145 T	7657	7588	36	35	7/8	17-5/32	15-25/32	11/16	11-1/8	17-1/8	7-7/8
182 T	6988	7578	37	36	5/8	14-7/8	13-1/4	13/16	13-3/16	18	8-3/4
184 T	7184	7578	40	39		14-5/16		9/16	13-15/16		
213 T	7092	7580	43-1/2	42		15-5/16	14-1/4	16-5/32	19-5/32		
215 T	7092	7580									
254 T	7349	7584									

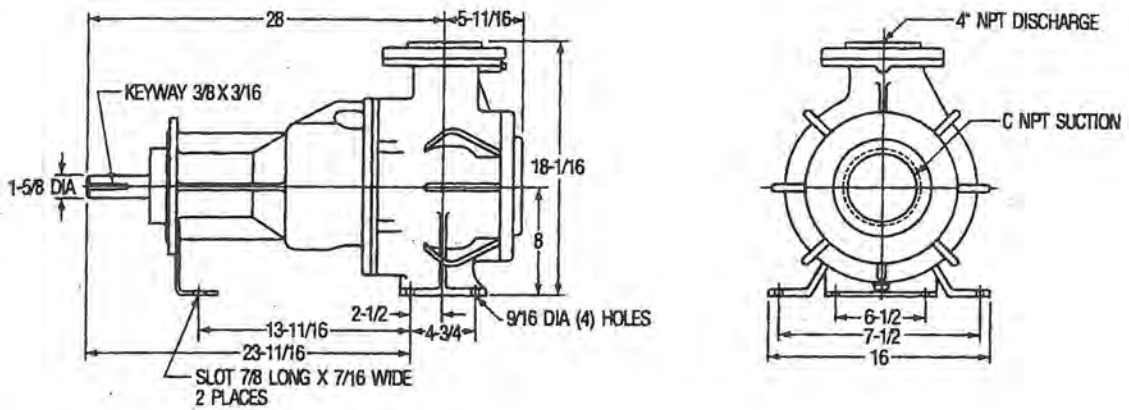
DIMENSIONS ARE IN INCHES

Supersedes Section 3300  
Page 2686, Dated January 1972

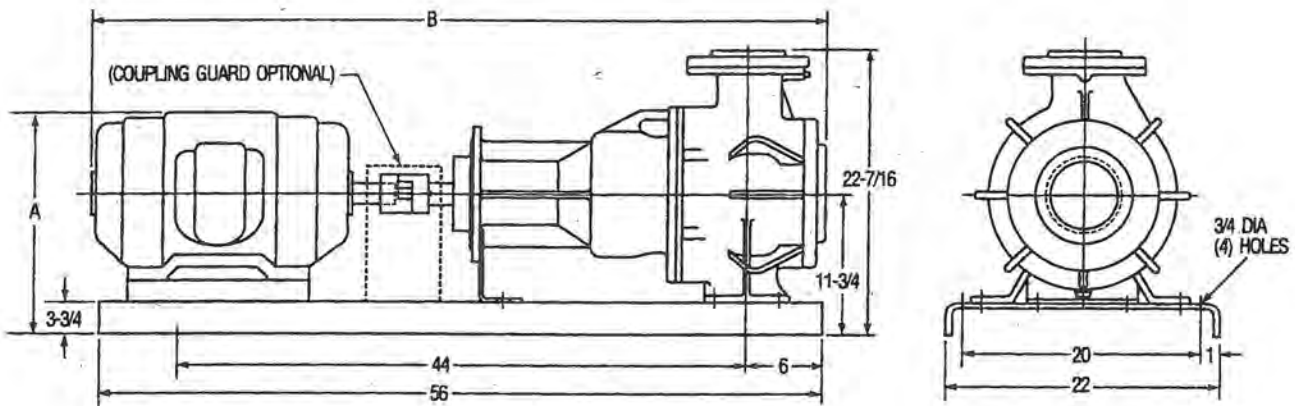
# WEINMAN®

## OUTLINE DIMENSIONS Models 4WS-3, 4WS-4, and 6WS-2 Long Coupled NON-Self-Priming Pumps

### PUMP END



### BASE ASSEMBLY



MOTOR FRAME	BASE PART NO	A	B	C 4WS-3	C 4WS-4	C 6WS-2
213T	328447PO1	16 7/8	48 3/4	4	4	6
215T	328447PO1	16 7/8	50 1/4			
254T	328447PO2	18 1/8	53 1/4			
256T	328447PO2	18 1/8	55			
284T	328447PO3	15 3/4	56 1/8			
286T	328447PO3	15 3/4	57 5/8			
324T	328447PO5	19 3/4	58 3/4			

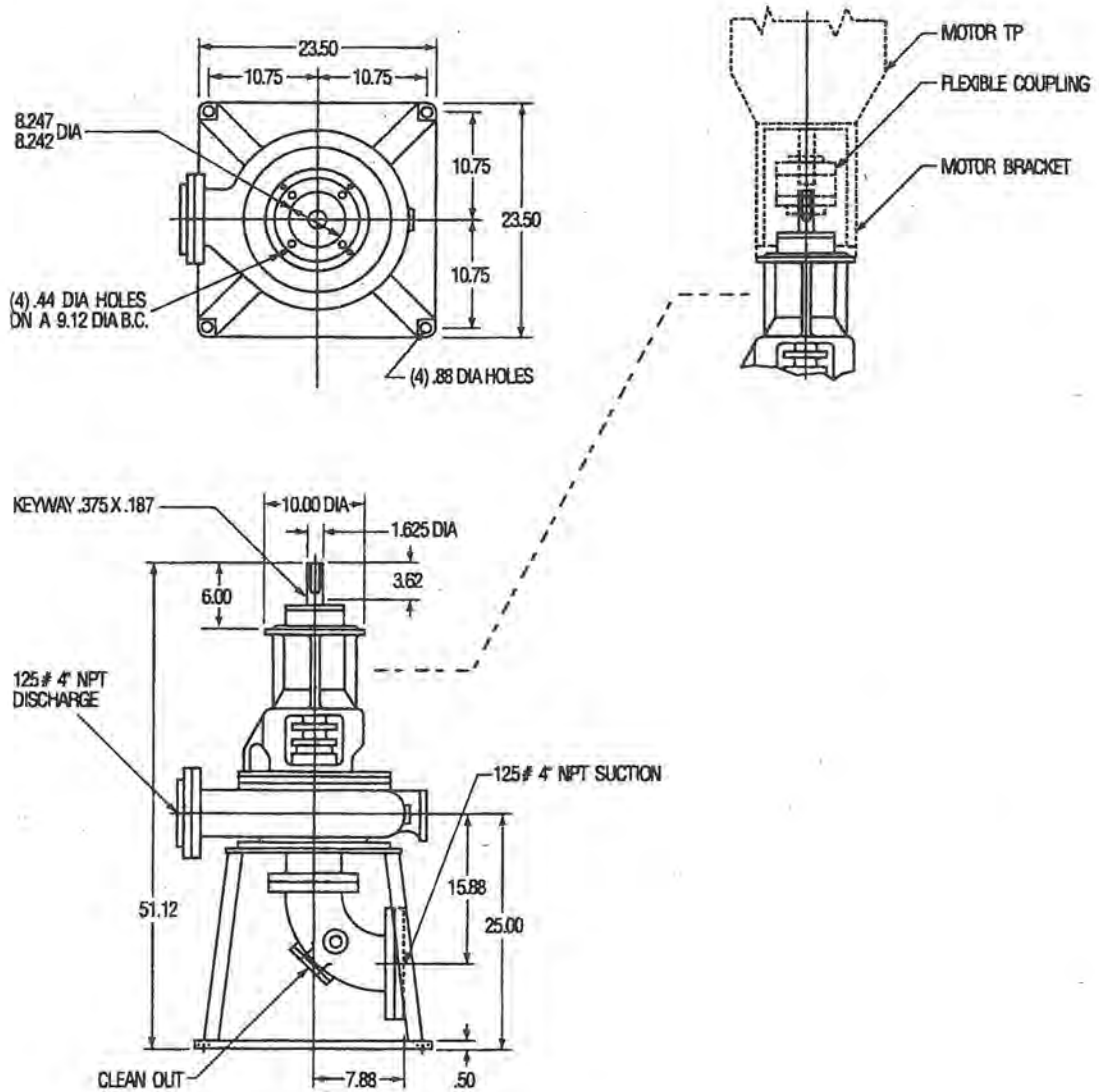
DIMENSIONS ARE IN INCHES

Supersedes Section 3300  
 Page 208 and 209, Dated June 1, 1977



## OUTLINE DIMENSIONS

### Model 4WS-VB-5 Long Coupled Vertical Non-Self-Priming Pumps with Pedestal



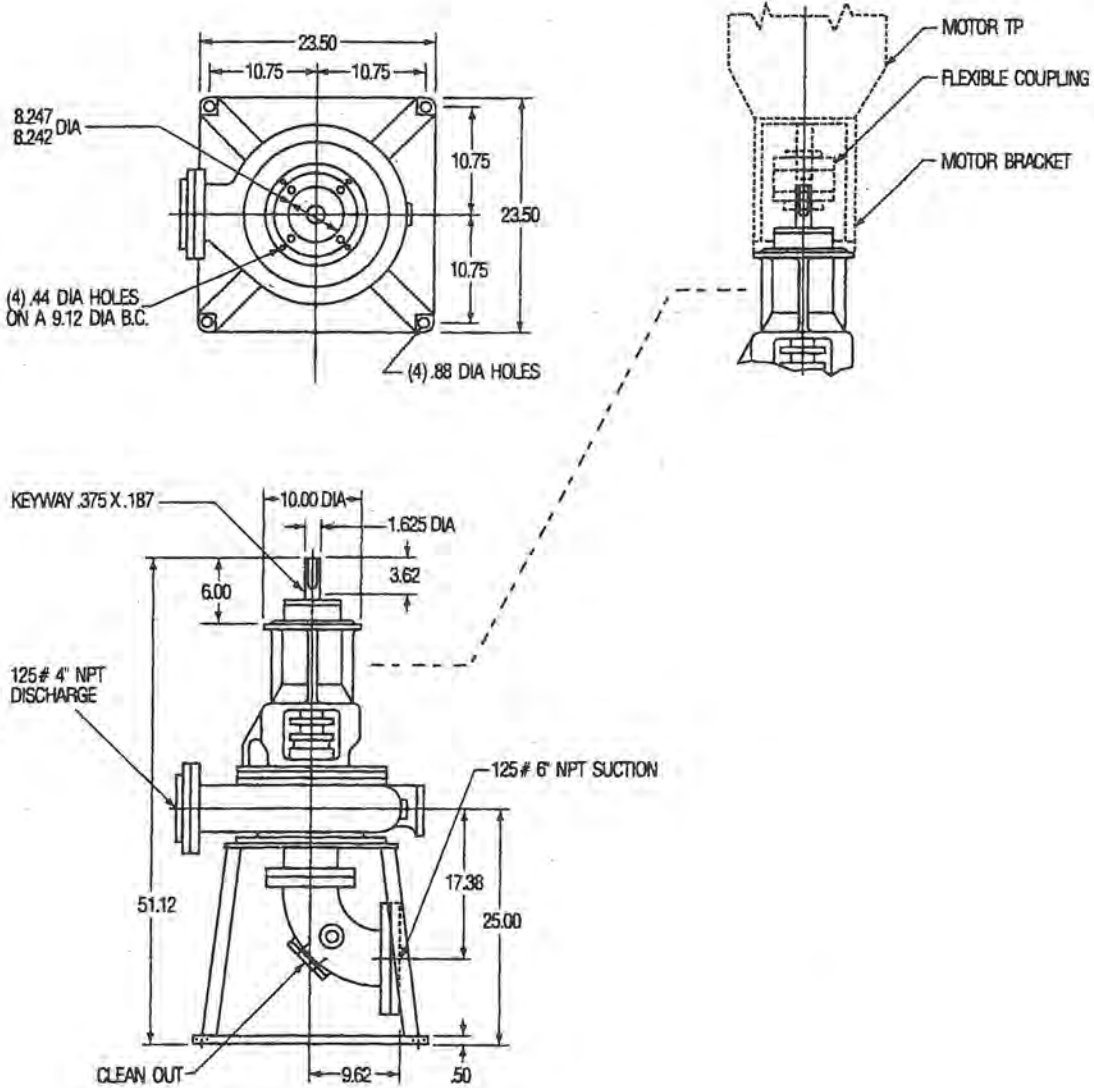
DIMENSIONS ARE IN INCHES

Supersedes Section 3300  
Page 210, Dated June 1, 1977

# WEINMAN®

## OUTLINE DIMENSIONS

### Model 6WS-VB-6 Long Coupled Vertical Non-Self-Priming Pumps with Pedestal

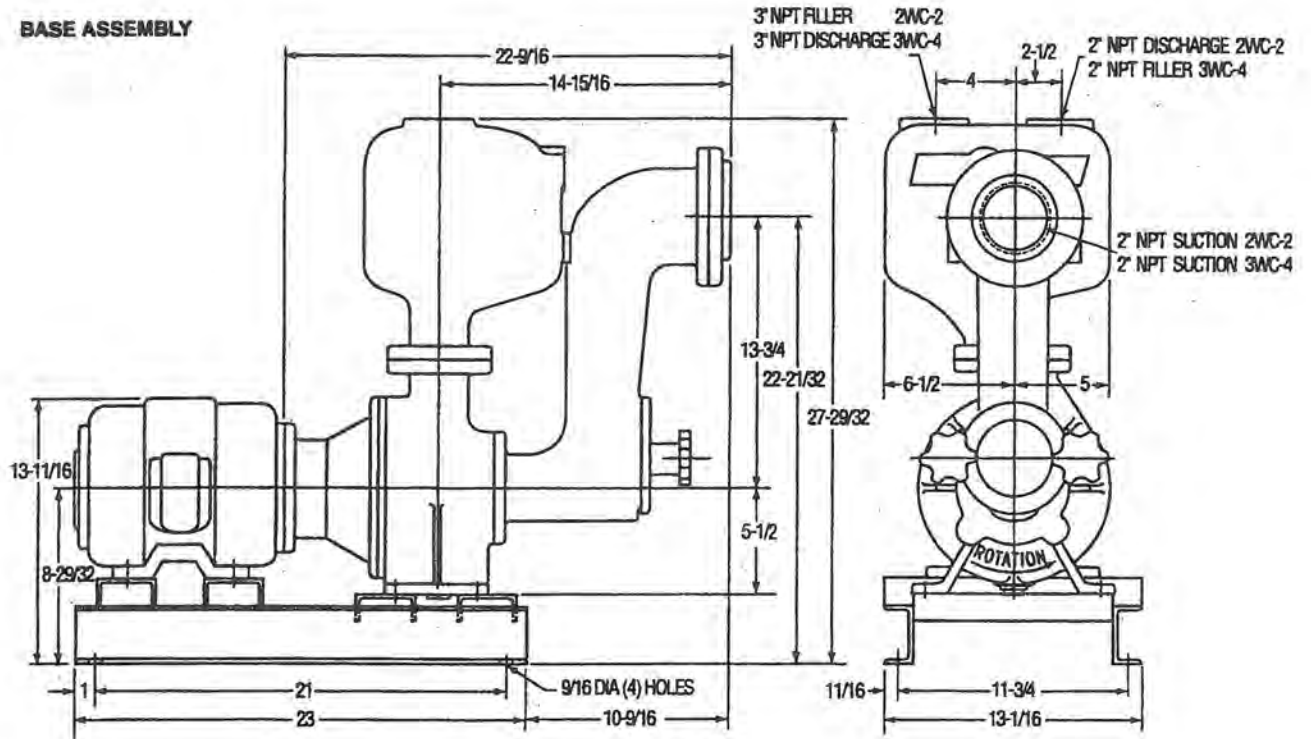


DIMENSIONS ARE IN INCHES

Supersedes Section 3300  
Page 211, Dated June 1, 1977

## OUTLINE DIMENSIONS

### Models 2WC-2 and 3WC-4 Close Coupled Self-Priming Pumps



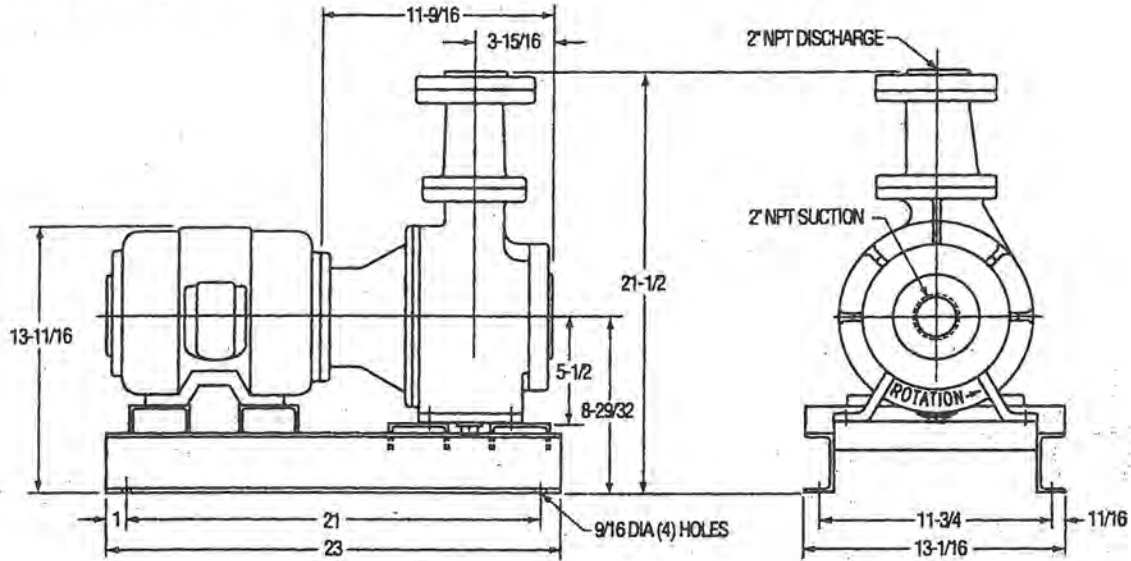
DIMENSIONS ARE IN INCHES

Supersedes Section 3300  
 Page 212, Dated June 1, 1977

# WEINMAN®

## OUTLINE DIMENSIONS Model 2WSC-2 Close Coupled Non-Self-Priming Pumps

### BASE ASSEMBLY

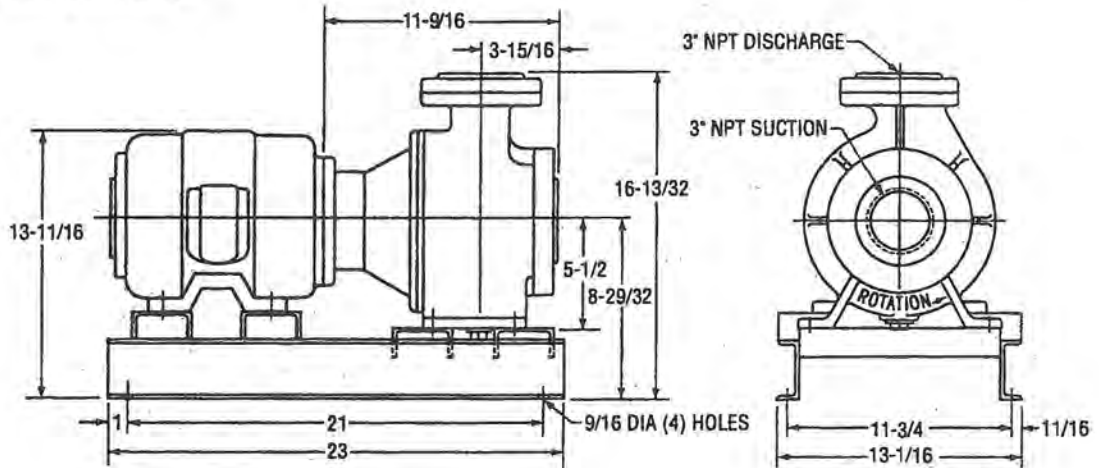


DIMENSIONS ARE IN INCHES

Supersedes Section 3300  
Page 213, Dated June 1, 1977

## OUTLINE DIMENSIONS Model 3WSC-4 Close Coupled Non-Self-Priming Pumps

### BASE ASSEMBLY



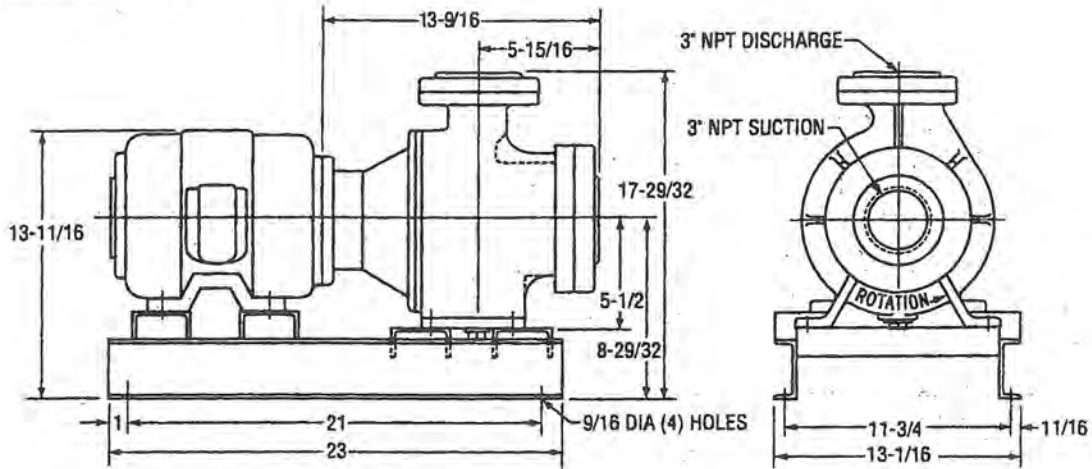
DIMENSIONS ARE IN INCHES

Supersedes Section 3300  
Page 214, Dated June 1, 1977

# WEINMAN®

## OUTLINE DIMENSIONS Model 3WSC-5 Close Coupled Non-Self-Priming Pumps

### BASE ASSEMBLY



DIMENSIONS ARE IN INCHES

Supersedes Section 3300  
Page 215, Dated June 1, 1977