

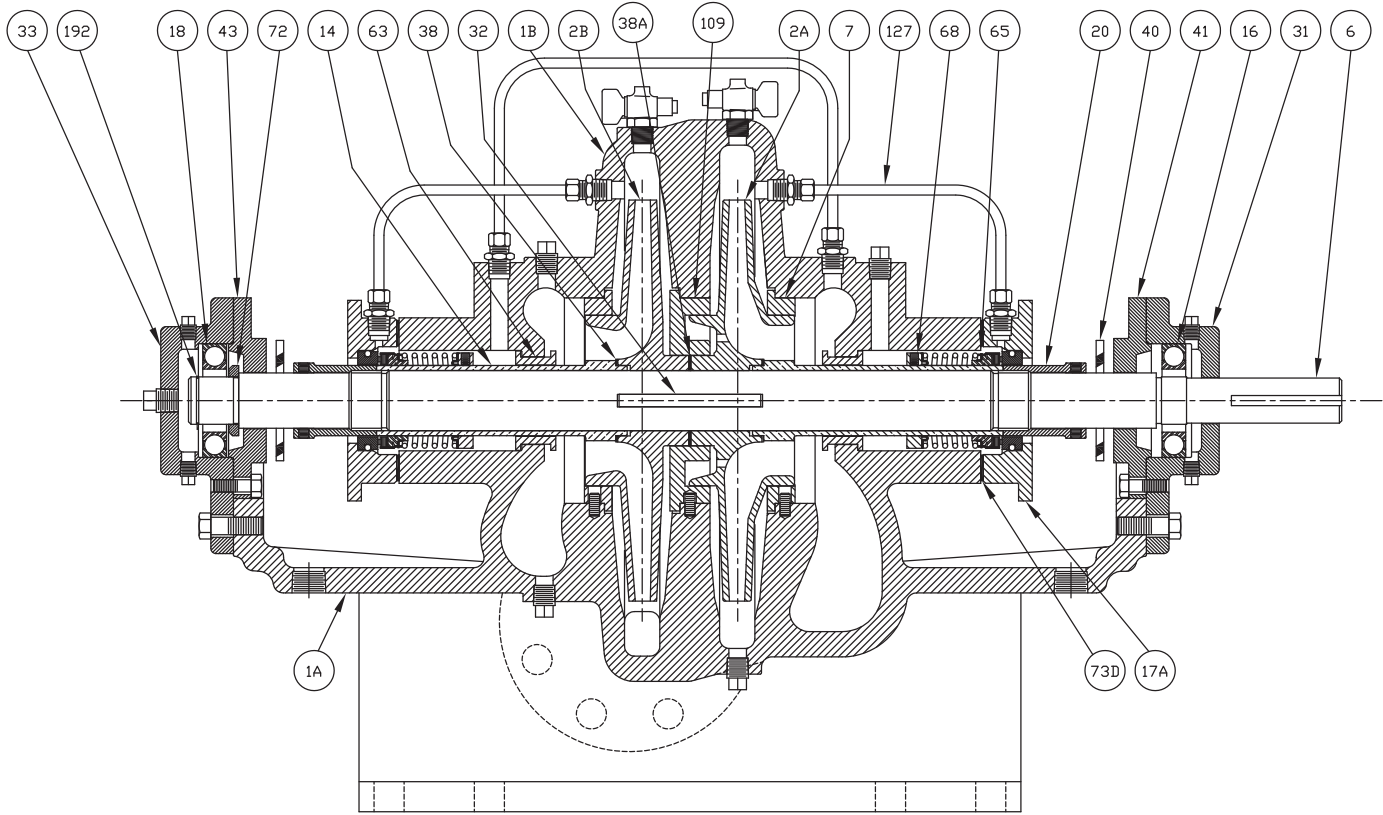
Pump Assembly

Type JD Two Stage Split-Case Pumps
with Mechanical Shaft Seals - Bulletin 1310

WEINMAN®

www.cranepumps.com

Multi-Stage Split Case Pumps - Horizontally Mounted



Item No.	Part Name	Item No.	Part Name
1A	Casing (Lower Half)	38	Shaft Sleeve Gasket
1B	Casing (Upper Half)	38A	Impeller Hub Gasket
* 2A	Impeller (1st Stage)	40	Deflector (Liquid)
* 2B	Impeller (2nd Stage)	41	Bearing Cap (Inboard)
* 6	Shaft	43	Bearing Cap (Outboard)
* 7	Casing Ring	63	Stuffing Box Bushing
‡* 8	Impeller Ring (Not Shown)	* 65	Mechanical Seal
14	Shaft Sleeve	68	Seal Collar
* 16	Bearing (Inboard)	72	Thrust Collar
17A	Seal Cap	* 73	Casing Gasket - Suction Side (Not Shown)
* 18	Bearing (Outboard)	* 73A	Casing Gasket - Discharge Side (Not Shown)
20	Shaft Sleeve Nut	* 73D	Gasket (Seal Cap)
31	Bearing Housing (Inboard)	* 109	Interstage Diaphragm
* 32	Impeller Key	127	Seal Piping
33	Bearing Housing (Outboard)	* 192	Retaining Ring (Bearing)

* For Domestic Service we recommend these parts be carried in stock as spares.

‡ Double Wearing Rings furnished as special equipment only.

SECTION 1310
PAGE 4
DATE 10/18

CRANE
®

A Crane Co. Company

PUMPS & SYSTEMS

USA: (937) 778-8947 • Canada: (905) 457-6223 • International: (937) 615-3598