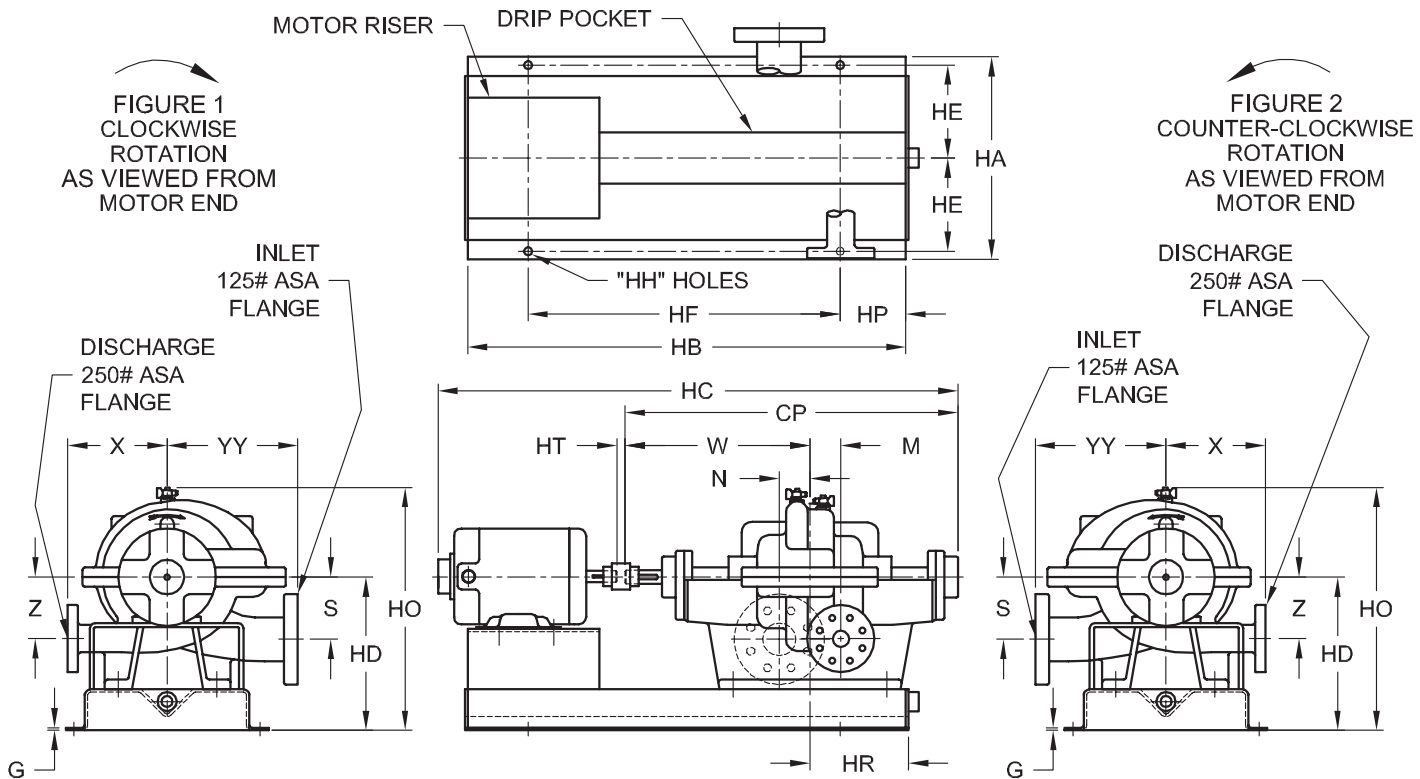


### Multi-Stage Split Case Pumps - Horizontally Mounted

<b>PUMP NO.</b>	<b>PUMP:</b>	<b>MOTOR:</b>	<b>VOLTS:</b>
<b>FOR:</b>	<b>TDH:</b>	<b>HP:</b>	<b>HZ:</b>
<b>CERT. BY:</b>	<b>GPM:</b>	<b>RPM:</b>	<b>FRAME:</b>
<b>DATE:</b>	<b>ROTATION:</b>	<b>PHASE:</b>	
	<b>FIGURE NO:</b>	<b>ENCLOSURE:</b>	



DIMENSIONS SHOWN ARE FOR STANDARD "DRIP TROUGH" BASE. CONSULT FACTORY FOR "DRIP PAN" BASE DIMENSIONS.

#### DIMENSIONS IN INCHES

MOTOR FRAME	HA	HB	HC		HD	HE	HF	HG	HH	HM	HO	HP	HR	HT
			*	**										
184T	18.50	40.50	48.50	50.63	14.25	8.50	28.50	.25	.75	18.63	24.00	6.00	9.00	.63
213T	18.50	45.50	50.50	52.63	14.25	8.50	33.50	.25	.75	19.50	24.00	6.00	9.00	.25
215T	18.50	45.50	52.00	54.13	14.25	8.50	33.50	.25	.75	19.50	24.00	6.00	9.00	.25
254T	20.50	54.50	54.75	56.88	14.25	9.50	42.50	.25	.75	20.63	24.00	6.00	9.00	.25
256T	20.50	54.50	56.50	58.63	14.25	9.50	42.50	.25	.75	20.63	24.00	6.00	9.00	.25
284TS	20.50	54.50	56.13	58.25	14.25	9.50	42.50	.25	.75	21.88	24.00	6.00	9.00	.25
286TS	20.50	54.50	57.63	59.75	14.25	9.50	42.50	.25	.75	21.88	24.00	6.00	9.00	.25
324TS	20.50	54.50	58.63	60.75	14.25	9.50	42.50	.25	.75	23.00	24.00	6.00	9.00	.25
326TS	20.50	54.50	60.13	62.25	14.25	9.50	42.50	.25	.75	23.00	24.00	6.00	9.00	.25
364TS	24.50	54.50	64.38	66.50	14.25	11.50	42.50	.31	.75	24.00	24.00	6.00	9.00	.25
365TS	24.50	54.50	65.38	67.50	14.25	11.50	42.50	.31	.75	24.00	24.00	6.00	9.00	.25
405TS	24.50	54.50	68.63	70.75	14.25	11.50	42.50	.31	.75	25.13	24.00	6.00	9.00	.25
444TS	24.50	60.00	70.00	72.13	14.25	11.50	48.50	.38	.75	26.00	24.00	6.00	9.00	.50

#### DIMENSIONS IN INCHES

PUMP	TYPE	DISCH. (INCH)	INLET (INCH)	CP	M	N	S	U	W	X	YY	Z	KEYWAY (INCH)
3JD*	STANDARD BEARINGS	3	4	31.50	1.19	3.44	5.63	1.38	17.13	9.75	14.00	5.63	.31 x .16
3JD*	WATER COOLED THRUST BEARINGS	3	4	32.63	1.19	3.44	5.63	1.38	17.13	9.75	14.00	5.63	.31 x .16
3JD**	WATER COOLED RADIAL & THRUST BEARINGS	3	4	34.00	1.19	3.44	5.63	1.38	18.63	9.75	14.00	5.63	.31 x .16

# 3" - 2 Stage Type "JD"

With Steel Baseplates

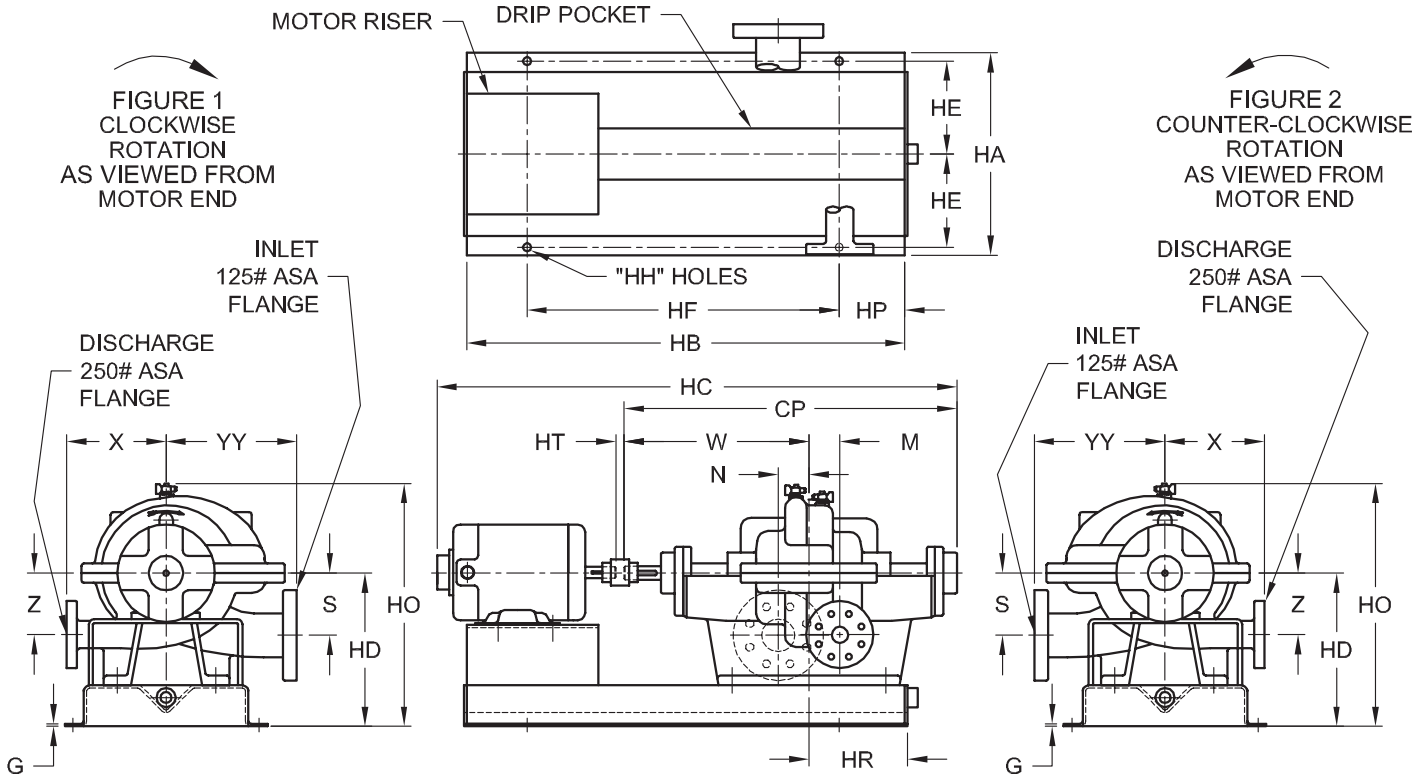
Metric (mm)

# WEINMAN®

www.cranepumps.com

## Multi-Stage Split Case Pumps - Horizontally Mounted

PUMP NO.	PUMP: TDH: GPM: ROTATION: FIGURE NO:	MOTOR: HP: RPM: PHASE: ENCLOSURE:	VOLTS: HZ: FRAME:
FOR:	DATE:		
CERT. BY:			



DIMENSIONS SHOWN ARE FOR STANDARD "DRIP TROUGH" BASE. CONSULT FACTORY FOR "DRIP PAN" BASE DIMENSIONS.

### DIMENSIONS IN MILLIMETERS

MOTOR FRAME	HA	HB	HC		HD	HE	HF	HG	HH	HM	HO	HP	HR	HT
			*	**										
184T	470	1029	1232	1286	362	216	724	6	19	473	610	152	229	16
213T	470	1156	1283	1337	362	216	851	6	19	495	610	152	229	6
215T	470	1156	1321	1375	362	216	851	6	19	495	610	152	229	6
254T	521	1384	1391	1445	362	241	1080	6	19	524	610	152	229	6
256T	521	1384	1435	1489	362	241	1080	6	19	524	610	152	229	6
284TS	521	1384	1426	1480	362	241	1080	6	19	556	610	152	229	6
286TS	521	1384	1464	1518	362	241	1080	6	19	556	610	152	229	6
324TS	521	1384	1489	1543	362	241	1080	6	19	584	610	152	229	6
326TS	521	1384	1527	1581	362	241	1080	6	19	584	610	152	229	6
364TS	622	1384	1635	1689	362	292	1080	8	19	610	610	152	229	6
365TS	622	1384	1661	1715	362	292	1080	8	19	610	610	152	229	6
405TS	622	1384	1743	1798	362	292	1080	8	19	638	610	152	229	6
444TS	622	1524	1778	1832	362	292	1232	10	19	660	610	152	229	13

### DIMENSIONS IN MILLIMETERS

PUMP	TYPE	DISCH. (INCH)	INLET (INCH)	CP	M	N	S	U	W	X	YY	Z	KEYWAY (INCH)
3JD*	STANDARD BEARINGS	3	4	800	30	87	143	35	435	248	356	143	.31 x .16
3JD*	WATER COOLED THRUST BEARINGS	3	4	829	30	87	143	35	435	248	356	143	.31 x .16
3JD**	WATER COOLED RADIAL & THRUST BEARINGS	3	4	864	30	87	143	35	473	248	356	143	.31 x .16

SECTION 1310  
PAGE 18  
DATE 1/13

**CRANE**  
A Crane Co. Company

PUMPS & SYSTEMS

USA: (937) 778-8947 • Canada: (905) 457-6223 • International: (937) 615-3598