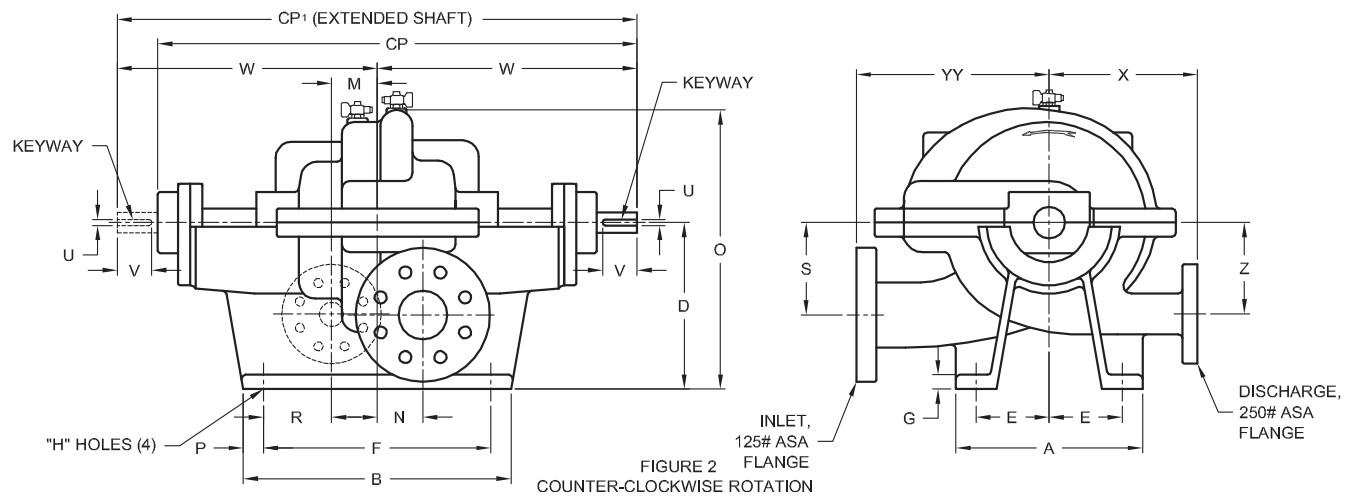
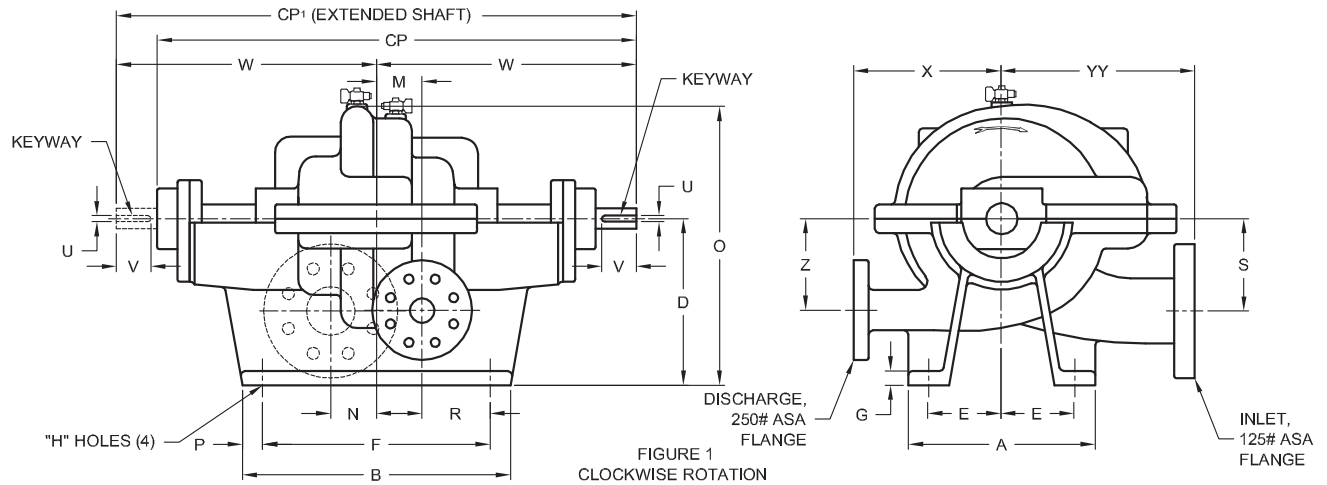


Multi-Stage Split Case Pumps - Horizontally Mounted

| | | | |
|------------------|-------------------|-------------------|---------------|
| PUMP NO. | PUMP: | MOTOR: | VOLTS: |
| FOR: | TDH: | HP: | HZ: |
| CERT. BY: | GPM: | RPM: | FRAME: |
| DATE: | ROTATION: | PHASE: | |
| | FIGURE NO: | ENCLOSURE: | |



DIMENSIONS SHOWN ARE FOR STANDARD "DRIP TROUGH" BASE. CONSULT FACTORY FOR "DRIP PAN" BASE DIMENSIONS.

DIMENSIONS IN INCHES

| PUMP | DISCH. (INCH) | INLET (INCH) | A | B | D | E | F | G | H | M | N | O | P | R | S | U | V | W | X | Z | CP | CP ₁ | YY | KEYWAY (INCH) |
|--|---------------|--------------|-------|-------|-------|------|-------|-----|-----|------|------|-------|-----|------|------|------|------|-------|-------|------|-------|-----------------|-------|---------------|
| STANDARD BEARINGS | | | | | | | | | | | | | | | | | | | | | | | | |
| 1.5JD | 1.5 | 3 | 11.50 | 16.50 | 10.25 | 5.00 | 15.00 | .50 | .75 | 1.19 | 2.81 | 19.00 | .75 | 6.31 | 5.63 | 1.13 | 2.75 | 16.25 | 9.00 | 5.63 | 30.00 | 32.50 | 11.75 | .25 x .13 |
| 2JD | 2 | 3 | 11.50 | 16.50 | 10.25 | 5.00 | 15.00 | .75 | .75 | 1.19 | .00 | 19.00 | .75 | 6.31 | 5.50 | 1.13 | 2.75 | 16.25 | 10.25 | 5.50 | 30.63 | 32.50 | 12.75 | .25 x .13 |
| 3JD | 3 | 4 | 11.50 | 16.50 | 10.75 | 5.00 | 15.00 | .50 | .75 | 1.19 | 3.44 | 20.50 | .75 | 6.31 | 5.63 | 1.38 | 3.25 | 17.13 | 9.75 | 5.63 | 31.50 | 34.25 | 14.00 | .31 x .16 |
| WATER COOLED THRUST BEARINGS ONLY | | | | | | | | | | | | | | | | | | | | | | | | |
| 1.5JD | 1.5 | 3 | 11.50 | 16.50 | 10.25 | 5.00 | 15.00 | .50 | .75 | 1.19 | 2.81 | 19.00 | .75 | 6.31 | 5.63 | 1.13 | 2.75 | 16.25 | 9.00 | 5.63 | 30.63 | 32.50 | 11.75 | .25 x .13 |
| 2JD | 2 | 3 | 11.50 | 16.50 | 10.25 | 5.00 | 15.00 | .75 | .75 | 1.19 | .00 | 19.00 | .75 | 6.31 | 5.50 | 1.13 | 2.75 | 16.25 | 10.25 | 5.50 | 30.63 | 32.50 | 12.75 | .25 x .13 |
| 3JD | 3 | 4 | 11.50 | 16.50 | 10.75 | 5.00 | 15.00 | .50 | .75 | 1.19 | 3.44 | 20.50 | .75 | 6.31 | 5.63 | 1.38 | 3.25 | 17.13 | 9.75 | 5.63 | 32.63 | 34.25 | 14.00 | .31 x .16 |
| WATER COOLED RADIAL AND THRUST BEARINGS | | | | | | | | | | | | | | | | | | | | | | | | |
| 1.5JD | 1.5 | 3 | 11.50 | 16.50 | 10.25 | 5.00 | 15.00 | .50 | .75 | 1.19 | 2.81 | 19.00 | .75 | 6.31 | 5.63 | 1.13 | 3.75 | 18.63 | 9.00 | 5.63 | 33.00 | 37.25 | 11.75 | .25 x .13 |
| 2JD | 2 | 3 | 11.50 | 16.50 | 10.25 | 5.00 | 15.00 | .75 | .75 | 1.19 | .00 | 19.00 | .75 | 6.31 | 5.50 | 1.13 | 3.75 | 18.63 | 10.25 | 5.50 | 33.00 | 37.25 | 12.75 | .25 x .13 |
| 3JD | 3 | 4 | 11.50 | 16.50 | 10.75 | 5.00 | 15.00 | .50 | .75 | 1.19 | 3.44 | 20.50 | .75 | 6.31 | 5.63 | 1.38 | 3.75 | 18.63 | 9.75 | 5.63 | 34.00 | 37.25 | 14.00 | .31 x .16 |

2 Stage Type "JD"

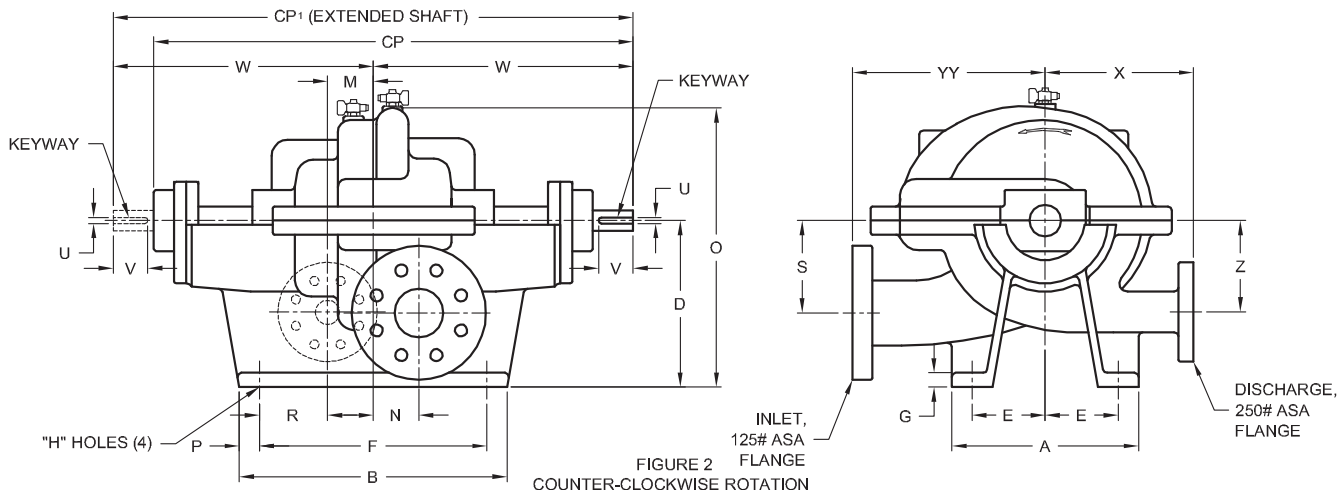
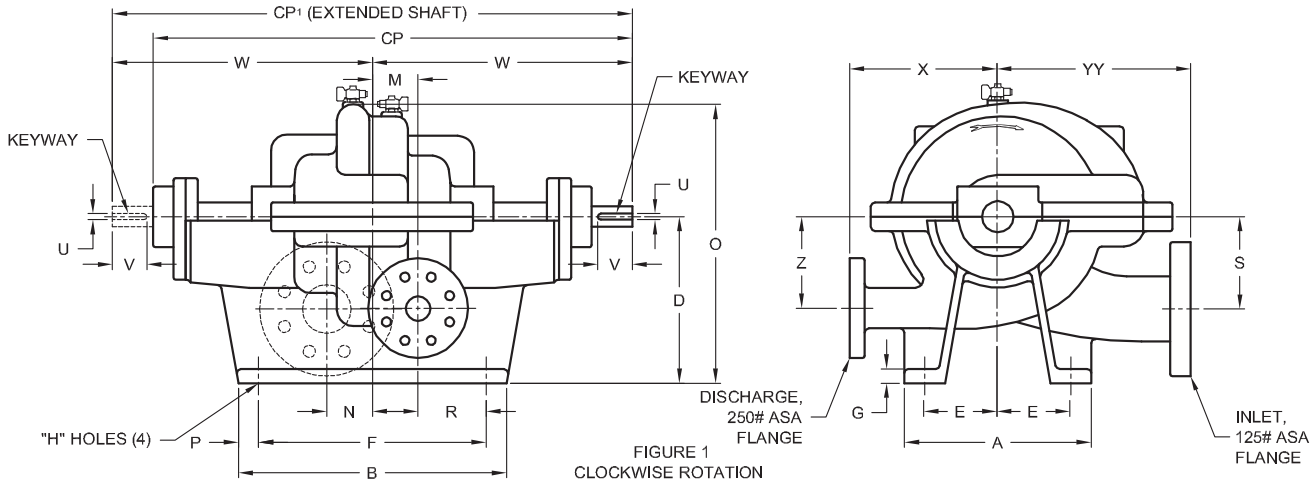
1.5", 2" & 3", Discharge with Steel Adapter Base A7141
Metric (mm)

WEINMAN®

www.cranepumps.com

Multi-Stage Split Case Pumps - Horizontally Mounted

| | | | |
|------------------|-------------------|-------------------|---------------|
| PUMP NO. | PUMP: | MOTOR: | VOLTS: |
| FOR: | TDH: | HP: | HZ: |
| CERT. BY: | ROTATION: | RPM: | FRAME: |
| DATE: | FIGURE NO: | PHASE: | |
| | | ENCLOSURE: | |



DIMENSIONS SHOWN ARE FOR STANDARD "DRIP TROUGH" BASE. CONSULT FACTORY FOR "DRIP PAN" BASE DIMENSIONS.

DIMENSIONS IN MILLIMETERS

| PUMP | DISCH. (INCH) | INLET (INCH) | A | B | D | E | F | G | H | M | N | O | P | R | S | U | V | W | X | Z | CP | CP ₁ | YY | KEYWAY (INCH) |
|--|---------------|--------------|-----|-----|-----|-----|-----|----|----|----|----|-----|----|-----|-----|----|----|-----|-----|-----|-----|-----------------|-----|---------------|
| STANDARD BEARINGS | | | | | | | | | | | | | | | | | | | | | | | | |
| 1.5JD | 1.5 | 3 | 292 | 419 | 260 | 127 | 381 | 13 | 19 | 30 | 71 | 483 | 19 | 160 | 143 | 29 | 70 | 413 | 229 | 143 | 762 | 826 | 298 | .25 x .13 |
| 2JD | 2 | 3 | 292 | 419 | 260 | 127 | 381 | 19 | 19 | 30 | 0 | 483 | 19 | 160 | 140 | 29 | 70 | 413 | 260 | 140 | 778 | 826 | 324 | .25 x .13 |
| 3JD | 3 | 4 | 292 | 419 | 273 | 127 | 381 | 13 | 19 | 30 | 87 | 521 | 19 | 160 | 143 | 35 | 83 | 435 | 248 | 143 | 800 | 870 | 356 | .31 x .16 |
| WATER COOLED THRUST BEARINGS ONLY | | | | | | | | | | | | | | | | | | | | | | | | |
| 1.5JD | 1.5 | 3 | 292 | 419 | 260 | 127 | 381 | 13 | 19 | 30 | 71 | 483 | 19 | 160 | 143 | 29 | 70 | 413 | 229 | 143 | 778 | 826 | 298 | .25 x .13 |
| 2JD | 2 | 3 | 292 | 419 | 260 | 127 | 381 | 19 | 19 | 30 | 0 | 483 | 19 | 160 | 140 | 29 | 70 | 413 | 260 | 140 | 778 | 826 | 324 | .25 x .13 |
| 3JD | 3 | 4 | 292 | 419 | 273 | 127 | 381 | 13 | 19 | 30 | 87 | 521 | 19 | 160 | 143 | 35 | 83 | 435 | 248 | 143 | 829 | 870 | 356 | .31 x .16 |
| WATER COOLED RADIAL AND THRUST BEARINGS | | | | | | | | | | | | | | | | | | | | | | | | |
| 1.5JD | 1.5 | 3 | 292 | 419 | 260 | 127 | 381 | 13 | 19 | 30 | 71 | 483 | 19 | 160 | 143 | 29 | 95 | 473 | 229 | 143 | 838 | 946 | 298 | .25 x .13 |
| 2JD | 2 | 3 | 292 | 419 | 260 | 127 | 381 | 19 | 19 | 30 | 0 | 483 | 19 | 160 | 140 | 29 | 95 | 473 | 260 | 140 | 838 | 946 | 324 | .25 x .13 |
| 3JD | 3 | 4 | 292 | 419 | 273 | 127 | 381 | 13 | 19 | 30 | 87 | 521 | 19 | 160 | 143 | 35 | 95 | 473 | 248 | 143 | 864 | 946 | 356 | .31 x .16 |

SECTION 1310
PAGE 12
DATE 5/18

CRANE®

A Crane Co. Company

PUMPS & SYSTEMS

USA: (937) 778-8947 • Canada: (905) 457-6223 • International: (937) 615-3598