

Item No.	Name of Part	Material of Construction
1	Casing	Cast Iron
* 2	Impeller	Bronze
11	Casing Cover	Cast Iron
* 26	Impeller Screw	Stainless
40	Deflector (Liquid)	Neoprene
†* 65	Mechanical Shaft Seal (Stationary Element)	Ni-Resist
* 73	Casing Gasket	Cork-Cellulose
†* 80	Mechanical Shaft Seal (Rotating Element)	Carbon
127	Vent Piping	Plastic

† Furnished only in Pairs as complete units

* For domestic service we recommend these parts be carried in stock as spares
NOTE: All pumps have a maximum working pressure - 126 PSIG

* Recommended Spare Parts

Assembly Parts

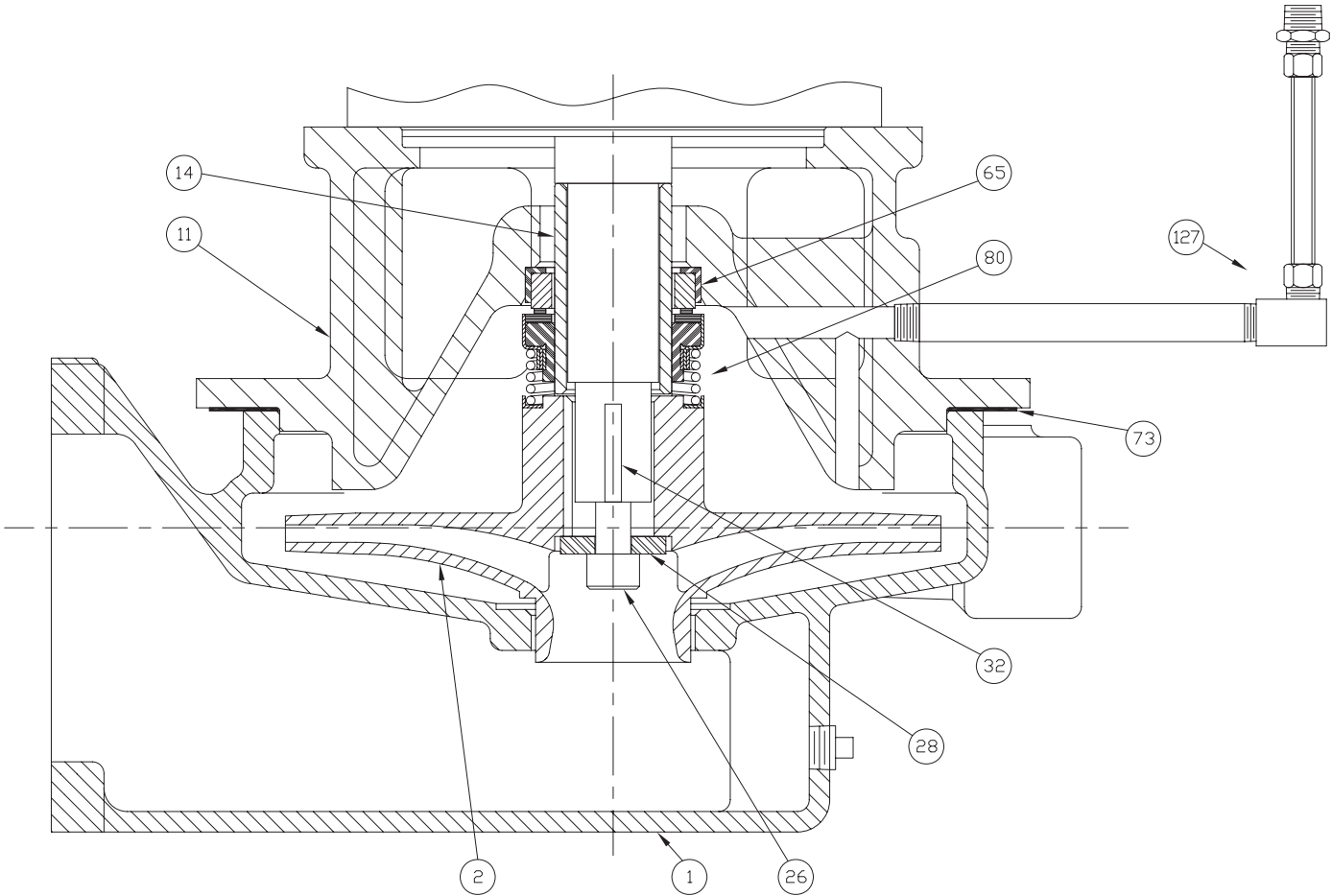
Type ACV & AEV Vertical Mounted Unipumps
with Mechanical Shaft Seal - Bulletin Repair Parts - 120

WEINMAN®

www.cranepumps.com

Repair Parts

Pump end with 3 HP
and larger motor at
3500 RPM.



Item No.	Name of Part	Material of Construction
1	Casing	Cast Iron
* 2	Impeller	Bronze
11	Casing Cover	Cast Iron
* 14	Shaft Sleeve	Bronze
* 26	Impeller Screw	Stainless
* 28	Impeller Screw Washer	Stainless
* 32	Impeller Key	Stainless
†* 65	Mechanical Shaft Seal (Stationary Element)	Ni-Resist
* 73	Casing Gasket	Cork-Cellulose
†* 80	Mechanical Shaft Seal (Rotating Element)	Carbon
127	Vent Piping	Plastic

† Furnished only in Pairs as complete units

* For domestic service we recommend these parts be carried in stock as spares
NOTE: All pumps have a maximum working pressure - 126 PSIG

* Recommended Spare Parts

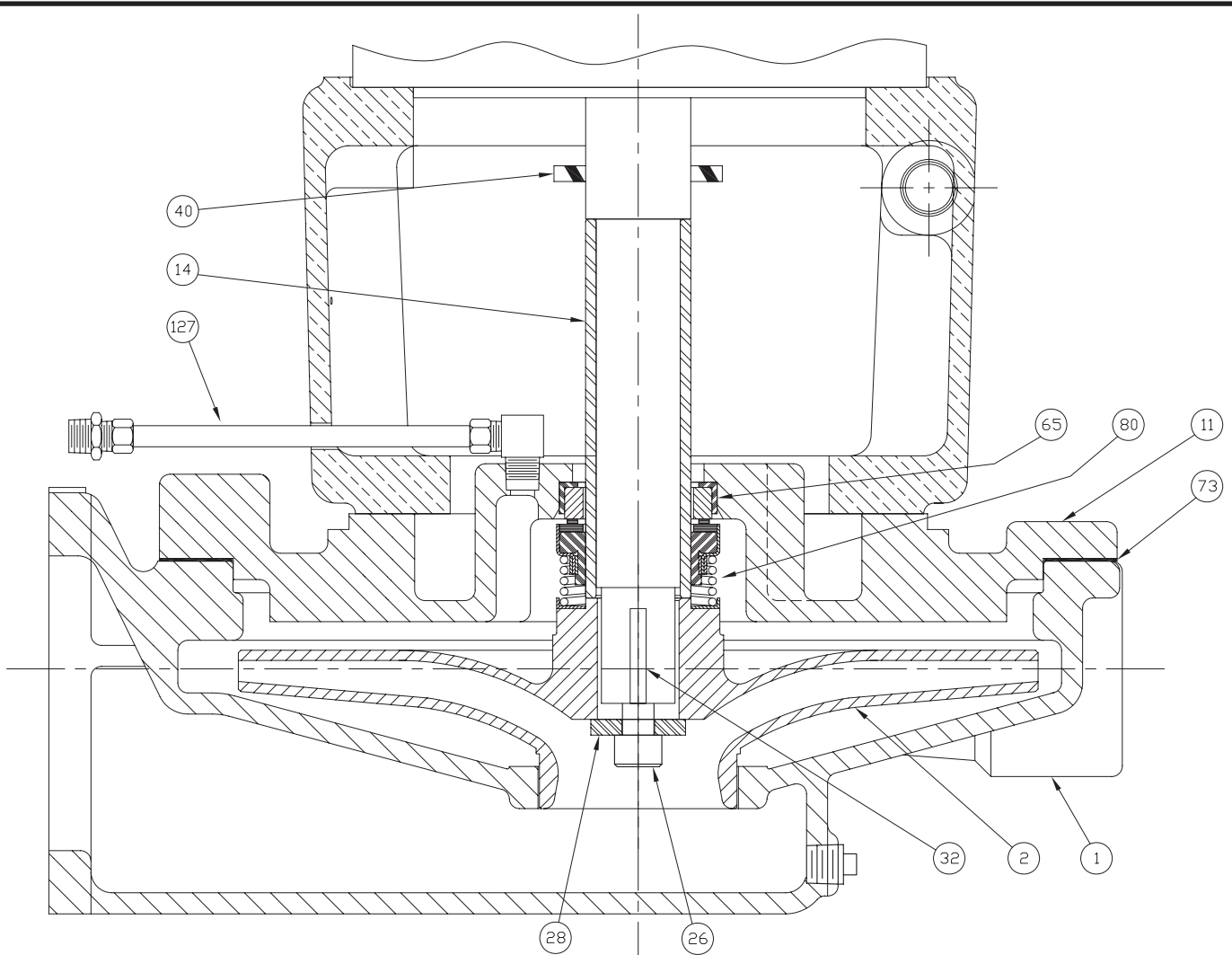
SECTION RP
PAGE 6
DATE 9/10

CRANE
®

A Crane Co. Company

PUMPS & SYSTEMS

USA: (937) 778-8947 • Canada: (905) 457-6223 • International: (937) 615-3598



Item No.	Name of Part	Material of Construction
1	Casing	Cast Iron
* 2	Impeller	Bronze
11	Casing Cover	Cast Iron
* 14	Shaft Sleeve	Bronze
* 26	Impeller Screw	Stainless
* 28	Impeller Screw Washer	Stainless
* 32	Impeller Key	Stainless
40	Deflector (Liquid)	Neoprene
†* 65	Mechanical Shaft Seal (Stationary Element)	Ni-Resist
* 73	Casing Gasket	Cork-Cellulose
†* 80	Mechanical Shaft Seal (Rotating Element)	Carbon
127	Vent Piping	Plastic

† Furnished only in Pairs as complete units

* For domestic service we recommend these parts be carried in stock as spares
NOTE: All pumps have a maximum working pressure - 126 PSIG

* Recommended Spare Parts

Repair Parts

56J Frame Motor						
120 Series ACV & AEV Unipumps		4ACV-301	4AEV-301	6ACV-301	8ACV-301	Quantity
1	Casing (Iron)	4480-1-A2	C5970-A2	C5504-A2	C7649-A2	1
2	Impeller (BRZ)	B4764-2-B12	B5833-4-B12	B4828-5-B12	B4839-3-B12	1
11	Casing Cover / Adapter (Iron)	4056-2-A2	C5826-2-A2	C4859-1-A2	C4859-1-A2	1
26	Impeller Screw (303 SS)	Q16-44-J8	Q16-44-J8	Q16-44-J8	Q16-44-J8	1
40	Deflector (Liquid) (Neoprene)	H1936-7-K2	H1936-7-K2	H1936-7-K2	H1936-7-K2	1
65 & 80	Mechanical Seal - STD	Q26-77-Y2	Q26-77-Y2	Q26-77-Y2	Q26-77-Y2	1
65 & 80	Mechanical Seal - Hot Water	Q26-77-Y6	Q26-77-Y6	Q26-77-Y6	Q26-77-Y6	1
73	Case Gasket (Cellulose)	A6551-L13	A6345-L13	H2267-1-L13	H2267-1-L13	1
127	Vent Pipe Nipple (Steel)	Q29-103-E4	Q29-103-E4	Q29-103-E4	Q29-103-E4	1
N.S.	Male Connection (Brass)	Q30-39-C2	Q30-39-C2	Q30-39-C2	Q30-39-C2	1
N.S.	Tubing	Q30-6-V6TF	Q30-6-V6TF	Q30-6-V6TF	Q30-6-V6TF	1
N.S.	Female Elbow (Brass)	Q30-63-C2	Q30-63-C2	Q30-63-C2	Q30-63-C2	1
N.S.	Pipe CPLG (Steel)	-	-	-	Q29-68-E4	1

SECTION RP
PAGE 8
DATE 2/09



A Crane Co. Company

PUMPS & SYSTEMS

USA: (937) 778-8947 • Canada: (905) 457-6223 • International: (937) 615-3598

145JM thru 184JM Frame Motor					
120 Series AC & AE Unipumps		4AEV-401	6ACV-401	8ACV-401	Quantity
1	Casing (iron)	C5970-A2	C5504-A2	C7649-A2	1
2	Impeller (BRZ)	B5833-5-B12	B4828-4-B12	B4839-4-B12	1
11	Casing Cover / Adapter (Iron)	C8486-A2	C8486-1-A2	C8486-1-A2	1
14	Shaft Sleeve (BRZ)	A5782-C9	A5782-C9	A5782-C9	1
26	Impeller Screw (302 SS)	Q60-2-J3	Q60-2-J3	Q60-2-J3	1
28	Impeller Screw Washer (302 SS)	A5090-J3	A5090-J3	A5090-J3	1
32	Impeller Key (303 SS)	Q21-4-J8	Q21-4-J8	Q21-4-J8	1
40	Deflector (Liquid) (Neoprene)	H1936-13-K2	H1936-2-K2	H1936-13-K2	1
65 & 80	Mechanical Seal - STD	Q26-395-Y34	Q26-395-Y34	Q26-395-Y34	1
65 & 80	Mechanical Seal - Hot Water	Q26-395-Y6	Q26-395-Y6	Q26-395-Y6	1
73	Case Gasket (Cellulose)	A6345-L13	H2267-1-L13	H2267-1-L13	1
127	Vent Pipe Nipple (Steel)	Q29-2-E4	Q29-2-E4	Q29-2-E4	1
N.S.	Male Connection (Brass)	Q30-39-C2	Q30-39-C2	Q30-39-C2	1
N.S.	Tubing	Q30-6-V6TF	Q30-6-V6TF	Q30-6-V6TF	1
N.S.	Female Elbow (Brass)	-	Q30-63-C2	Q30-63-C2	1
N.S.	Pipe Coupling (Steel)	Q29-68-E4	-	-	1
N.S.	Male Elbow (Brass)	Q30-16-C2	-	-	1
213JM Frame Motor					
120 Series AC & AE Unipumps		8ACV-410			Quantity
1	Casing (Iron)	C7649-A2			1
2	Impeller (BRZ)	B4839-4-B12			1
11	Casing Cover / Adapter (Iron)	C8486-11-A2			1
14	Shaft Sleeve (BRZ)	A5782-C9			1
26	Impeller Screw (302 SS)	Q60-2-J3			1
28	Impeller Screw Washer (302 SS)	A5090-J3			1
32	Impeller Key (303 SS)	Q21-4-J8			1
40	Deflector (Liquid) (Neoprene)	H1936-2-K2			1
65 & 80	Mechanical Seal - STD	Q26-395-Y34			1
65 & 80	Mechanical Seal - Hot Water	Q26-395-Y6			1
73	Case Gasket (Cellulose)	H2267-1-L13			1
127	Vent Pipe Nipple (Steel)	Q29-69-E4			1
N.S.	Male Connection (Brass)	Q30-39-C2			1
N.S.	Tubing	Q30-6-V6TF			1
N.S.	Female Elbow (Brass)	Q30-63-C2			1

CRANE

PUMPS & SYSTEMS

SECTION RP
PAGE 9
DATE 209

Repair Parts

143JP thru 215TCZ Frame Motor

120 Series ACV & AEV Unipumps		6ADV-21-1	6ADV-21-2	Quantity
1	Casing (Iron)	C5660-1-A2	C5660-1-A2	1
2	Impeller (BRZ)	C6390-B12	C6390-B12	1
11	Casing Cover / Adapter (Iron)	C5661-A2	C5661-A2	1
14	Shaft Sleeve (BRZ)	A5204-C9	A5204-C9	1
26	Impeller Screw (302 SS)	Q60-2-J3	Q60-2-J3	1
28	Impeller Screw Washer (302 SS)	A5090-J3	A5090-J3	1
32	Impeller Key (Neoprene)	Q21-4-J8	Q21-4-J8	1
40	Deflector (Liquid) (Neoprene)	H1936-2-K2	H1936-2-K2	1
65 & 80	Mechanical Seal - STD	Q26-395-Y34	Q26-395-Y34	1
65 & 80	Mechanical Seal - Hot Water	Q26-395-Y6	Q26-395-Y6	1
73	Case Gasket (Cellulose)	A6346-L13	A6346-L13	1
N.S.	Male Connection (Brass)	Q30-39-C2	Q30-39-C2	1
N.S.	Tubing	Q30-6-V6TF	Q30-6-V6TF	1
N.S.	Female Elbow (Brass)	Q30-16-C2	Q30-16-C2	1
N.S.	Pipe Coupling (Iron)	C5522-A2	C5523-A2	1

182JP thru 215TCZ Frame Motor

120 Series ACV & AEV Unipumps		6AVF-22-1	6AFV-22-2	Quantity
1	Casing(Iron)	C6190-A2	C6190-A2	1
2	Impeller (BRZ)	C6099-B12	C6099-B12	1
11	Casing Cover / Adapter (Iron)	C6191-10-A2	C6191-10-A2	1
14	Shaft Sleeve (BRZ)	A5204-C9	A5204-C9	1
26	Impeller Screw (302 SS)	Q60-2-J3	Q60-2-J3	1
28	Impeller Screw Washer (302 SS)	A5090-J3	A5090-J3	1
32	Impeller Key (303 SS)	Q21-4-J8	Q21-4-J8	1
40	Deflector (Liquid) (Neoprene)	H1936-2-K2	H1936-2-K2	1
65 & 80	Mechanical Seal - STD	Q26-395-Y34	Q26-395-Y34	1
65 & 80	Mechanical Seal - Hot Water	Q26-395-Y6	Q26-395-Y6	1
73	Case Gasket (Cellulose)	A6083-L13	A6083-L13	1
N.S.	Male Connection (Brass)	Q30-39-C2	Q30-39-C2	1
N.S.	Tubing	Q30-6-V6TF	Q30-6-V6TF	1
N.S.	Male Elbow (Brass)	Q30-16-C2	Q30-16-C2	1
N.S.	Wear Ring (BRZ)	A6409-C9	A6409-C9	
N.S.	Adapter (Iron)	C5522-A2	C5523-A2	