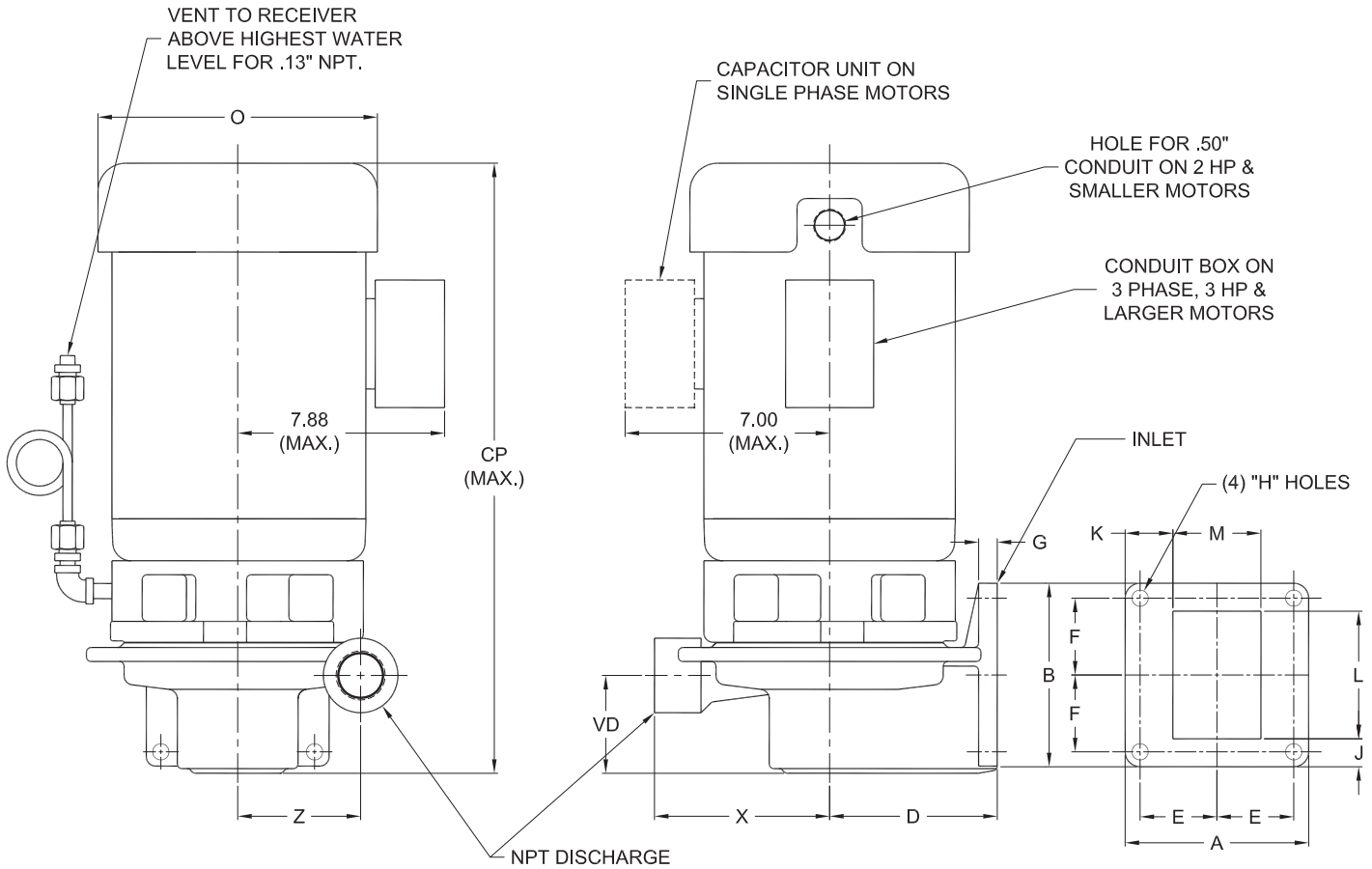


Close Coupled Tank Mount

PUMP NO.	PUMP:	MOTOR:	VOLTS:
FOR:	TDH:	HP:	HZ:
CERT. BY:	GPM:	RPM:	FRAME:
DATE:	ROTATION:	PHASE:	
	FIGURE NO:	ENCLOSURE:	

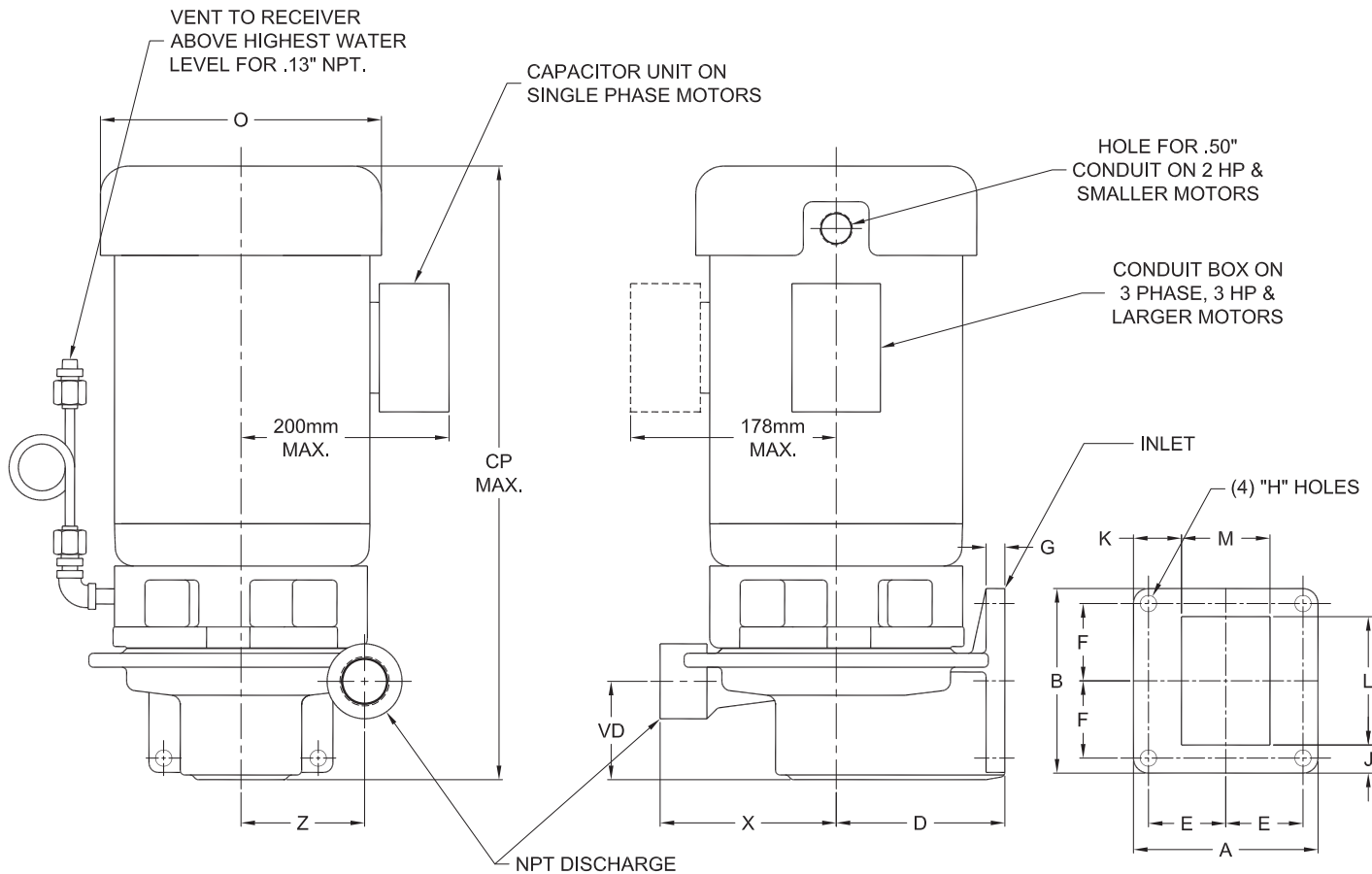


Pump	Dis. (NPT)	A	B	CP (MAX.)	D	E	F	G	H	J	K	L	M	O	VD	X	Z
4ACV	1	5.00	5.00	16.38	4.50	2.06	2.06	.50	.44	.75	1.28	3.50	2.44	7.50	2.63	4.75	3.25
* 4AEV	1	5.00	5.00	16.50	6.00	2.06	2.06	.56	.44	.75	1.31	3.50	2.38	7.50	3.00	5.00	4.00
** 4AEV	1	5.00	5.00	22.38	6.00	2.06	2.06	.56	.44	.75	1.31	3.50	2.38	10.50	3.00	5.00	4.00
* 6ACV	1.5	5.00	5.00	16.88	6.00	2.06	2.06	.56	.44	.75	1.31	3.50	2.38	7.50	2.88	5.00	3.75
** 6ACV	1.5	5.00	5.00	22.75	6.00	2.06	2.06	.56	.44	.75	1.31	3.50	2.38	10.50	2.88	5.00	3.75
* 8ACV	2	5.00	5.00	17.13	6.00	2.06	2.06	.56	.44	.75	1.31	3.50	2.38	7.50	2.75	5.50	4.00
** 8ACV	2	5.00	5.00	23.00	6.00	2.06	2.06	.56	.44	.75	1.31	3.50	2.38	10.50	2.75	5.50	4.00

* Motor HP < 3
 ** Motor HP 3 & Larger

Close Coupled Tank Mount

PUMP NO.	PUMP:	MOTOR:	VOLTS:
FOR:	TDH:	HP:	HZ:
CERT. BY:	GPM:	RPM:	FRAME:
DATE:	ROTATION:	PHASE:	
	FIGURE NO:	ENCLOSURE:	

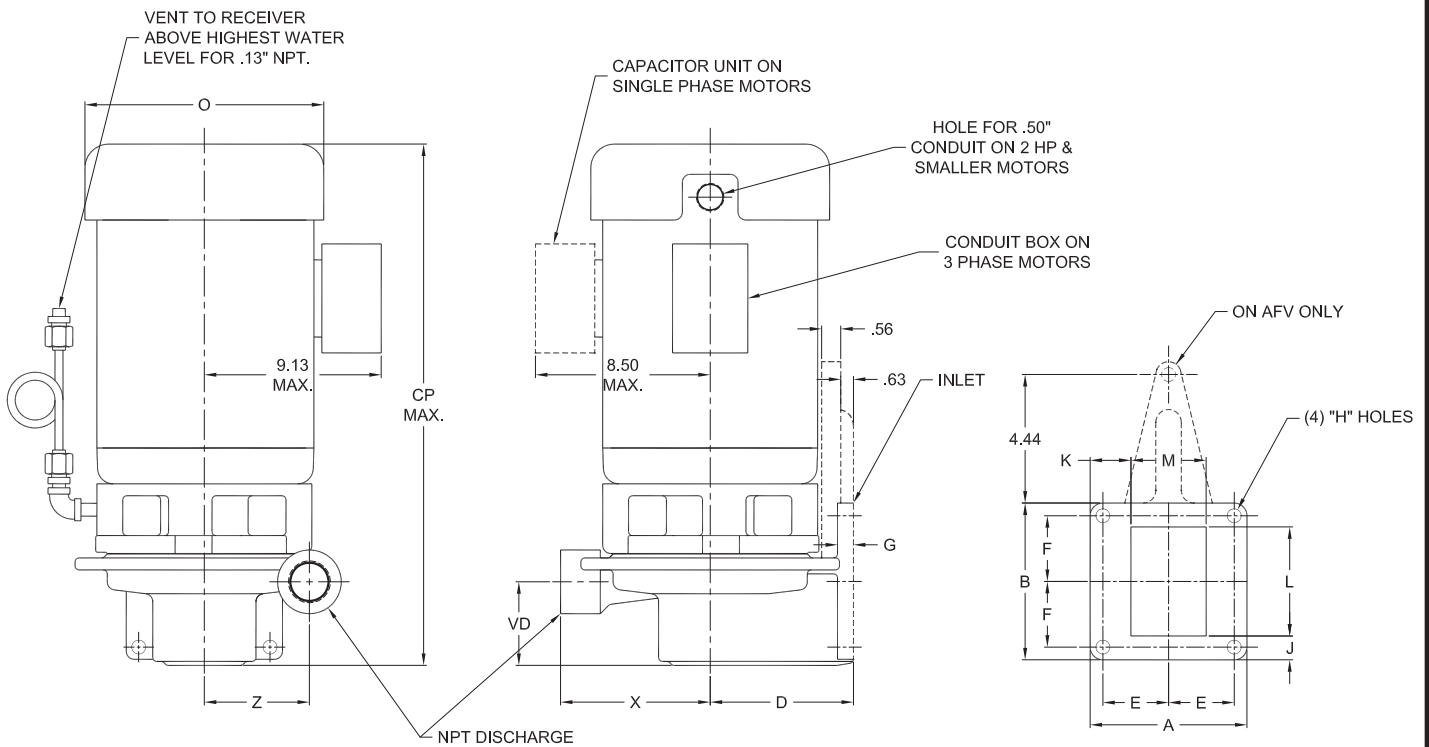


Pump	Dis. (NPT)	A	B	CP (MAX.)	D	E	F	G	H	J	K	L	M	O	VD	X	Z
4ACV	1	127	127	416	114	52	52	13	11	19	33	89	62	191	54	121	83
* 4AEV	1	127	127	419	152	52	52	14	11	19	33	89	60	191	76	127	102
** 4AEV	1	127	127	568	152	52	52	14	11	19	33	89	60	267	76	127	102
* 6ACV	1.5	127	127	429	152	52	52	14	11	19	33	89	60	191	73	127	95
** 6ACV	1.5	127	127	578	152	52	52	14	11	19	33	89	60	267	73	127	95
* 8ACV	2	127	127	435	152	52	52	14	11	19	33	89	60	191	70	140	102
** 8ACV	2	127	127	584	152	52	52	14	11	19	33	89	60	267	70	140	102

* Motor HP < 3
 ** Motor HP 3 & Larger

Close Coupled Tank Mount

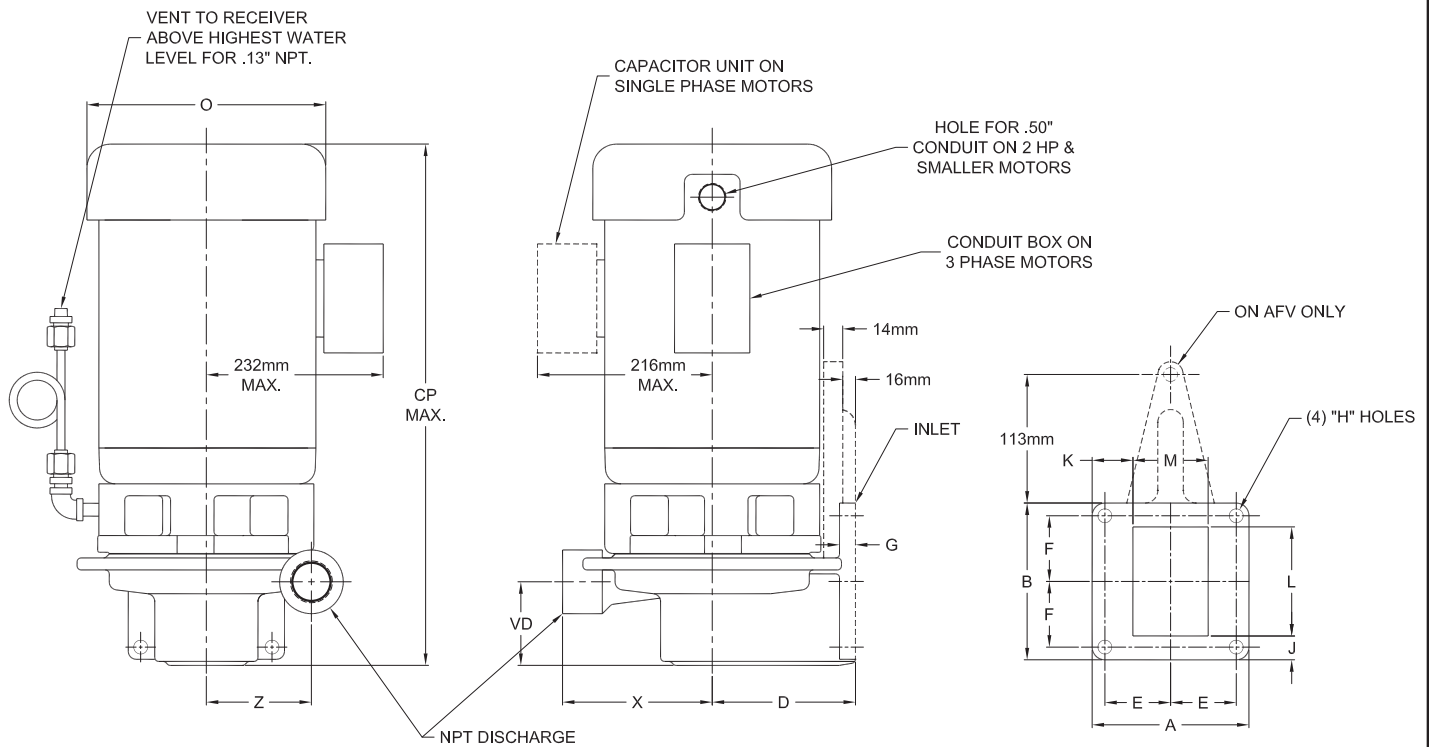
PUMP NO.	PUMP:	MOTOR:	VOLTS:
FOR:	TDH:	HP:	HZ:
CERT. BY:	GPM:	RPM:	FRAME:
DATE:	ROTATION:	PHASE:	
	FIGURE NO:	ENCLOSURE:	



Pump	Dis. (NPT)	A	B	CP (MAX.)	D	E	F	G	H	J	K	L	M	O	VD	X	Z
6ADV	1.5	5.00	5.00	26.50	7.00	2.06	2.06	.56	.44	.75	1.31	3.50	2.38	10.00	2.88	5.75	5.25
6AFV	1.5	5.00	5.00	28.25	8.75	2.06	2.06	.63	.44	.75	1.31	3.50	2.38	10.00	4.25	7.25	6.75

Close Coupled Tank Mount

PUMP NO.		PUMP:	MOTOR:	VOLTS:
FOR:		TDH:	HP:	HZ:
CERT. BY:		GPM:	RPM:	FRAME:
DATE:		ROTATION:	PHASE:	
		FIGURE NO:	ENCLOSURE:	



Pump	Dis. (NPT)	A	B	CP (MAX.)	D	E	F	G	H	J	K	L	M	O	VD	X	Z
6ADV	1.5	127	127	673	178	52	52	14	11	19	33	89	60	254	73	146	133
6AFV	1.5	127	127	718	222	52	52	16	11	19	33	89	60	254	108	184	171