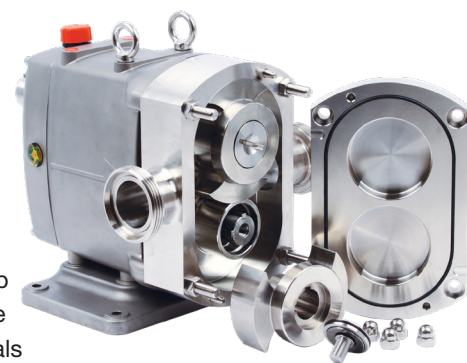


# PACKO

## Circumferential piston pumps ZP



### Description

Each feature of the ZP circumferential piston pump has been designed to make pump disassembly faster, easier and cheaper. In this way cleaning and maintenance is done in the most efficient way. In addition: the forward directed seal position brings the seals into direct contact with CIP fluids. The combination of the extremely solid bearing unit and the usage of special rotor materials makes the ZP to a tough and reliable worker!

### Your benefits

- Designed consequently for highest operational safety
- Excellent “easy to clean” seals
- The seal position prevents product trapping
- Two shaft keys on the rotors enable quiet operation under high pressure or vibration
- Better lubrication because of oil bath, instead of a grease lubrication
- Certified according to 3A and EHEDG

### Technical details

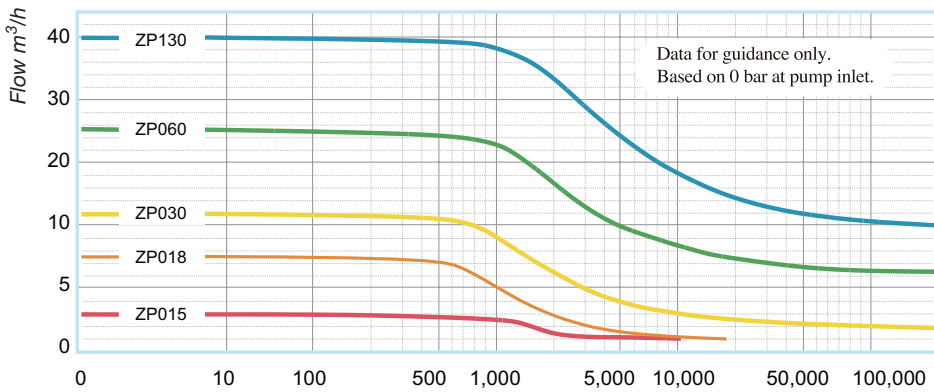
Max. flow	708 l/min	Max. viscosity	1.000.000 mPas
Max. pressure	15 bar	Temperature range	-10 to +180 °C
Max. rotation speed	800 rpm	Surface finish	Ra 0,6 µm (optional 0,4 µm)
Connections	DIN, ISO, Tri-Clamp, SMS, RJT, Flange	Certifications	3A, EHEDG, FDA, EC 1935/2004, ATEX

Model	Flow/revolution	Standard connection (mm)	Max. pressure (bar)	Max. rotation speed (rpm)
ZP015-0063-15	0,063	38	15	800
ZP018-012-12	0,12	38	12	800
ZP030-026-10	0,26	50	10	700
ZP060-074-15	0,74	63	15	600
ZP130-118-08	1,18	76	8	600

# PACKO

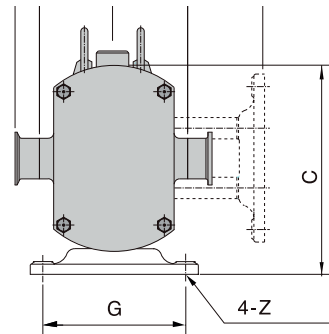
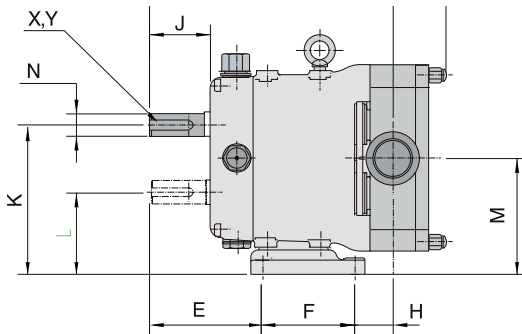
## Circumferential piston pumps ZP

### Curve



Viscosity cPs

### Dimensional drawing



Model	Connections	Dimensions in mm															
		A	B	C	D	E	F	G	H	J	K	L	M	N	X	Y	Z
ZP015-0063-15	1½"	281	152	222	228	105	84	134	39	55	141	77	109	22	34	8	9
ZP018-012-12	1½"	299	152	222	236	105	84	134	47	55	141	77	109	22	34	8	9
ZP030-026-10	2"	372	188	264,5	305	129	132	180	44	60	185	101	143	32	52	10	12
ZP060-074-15	2½"	471	242	347,5	380	158	160	242	67	68	243,5	128,5	186	45	57	14	13
ZP130-118-08	3"	497	242	347,5	393	158	160	242	80	68	243,5	128,5	186	45	57	14	13

All dimensions in mm (dimensions are approximate values)

2020\_009-VR-19\_Datasheets\_PACKO\_ZP



Find your local supplier at [www.verderliquids.com](http://www.verderliquids.com)

For construction, installation and floor mounting drawings please contact your local authorised distributor.