

JABCO ROTARY LOBE PUMPS BY PACKO

LH SERIES SPARE PARTS OVERVIEW

Keeping your process
efficient

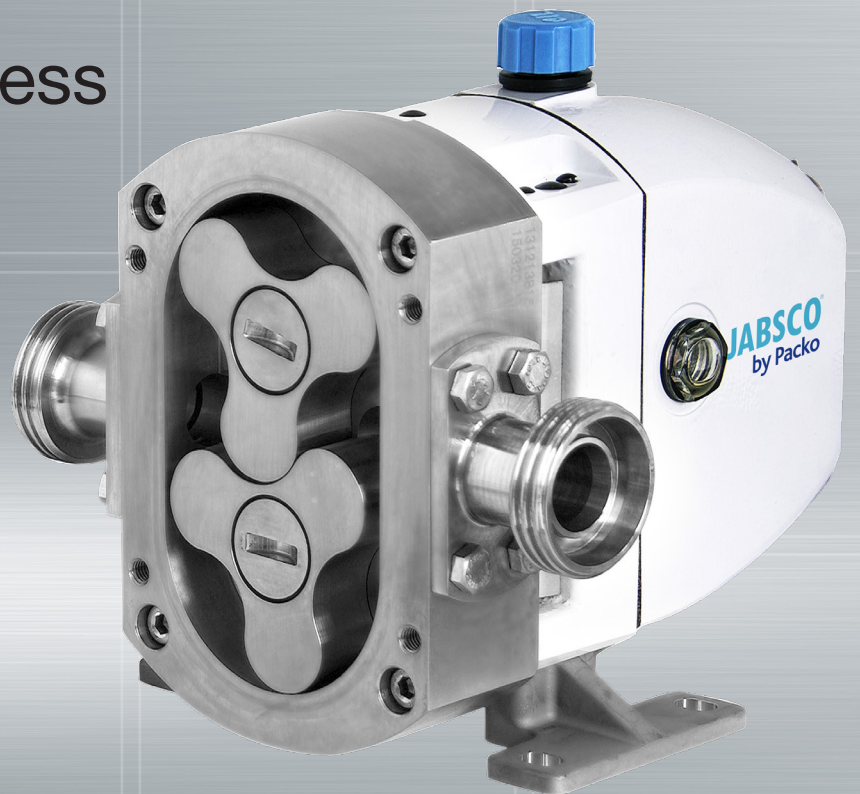
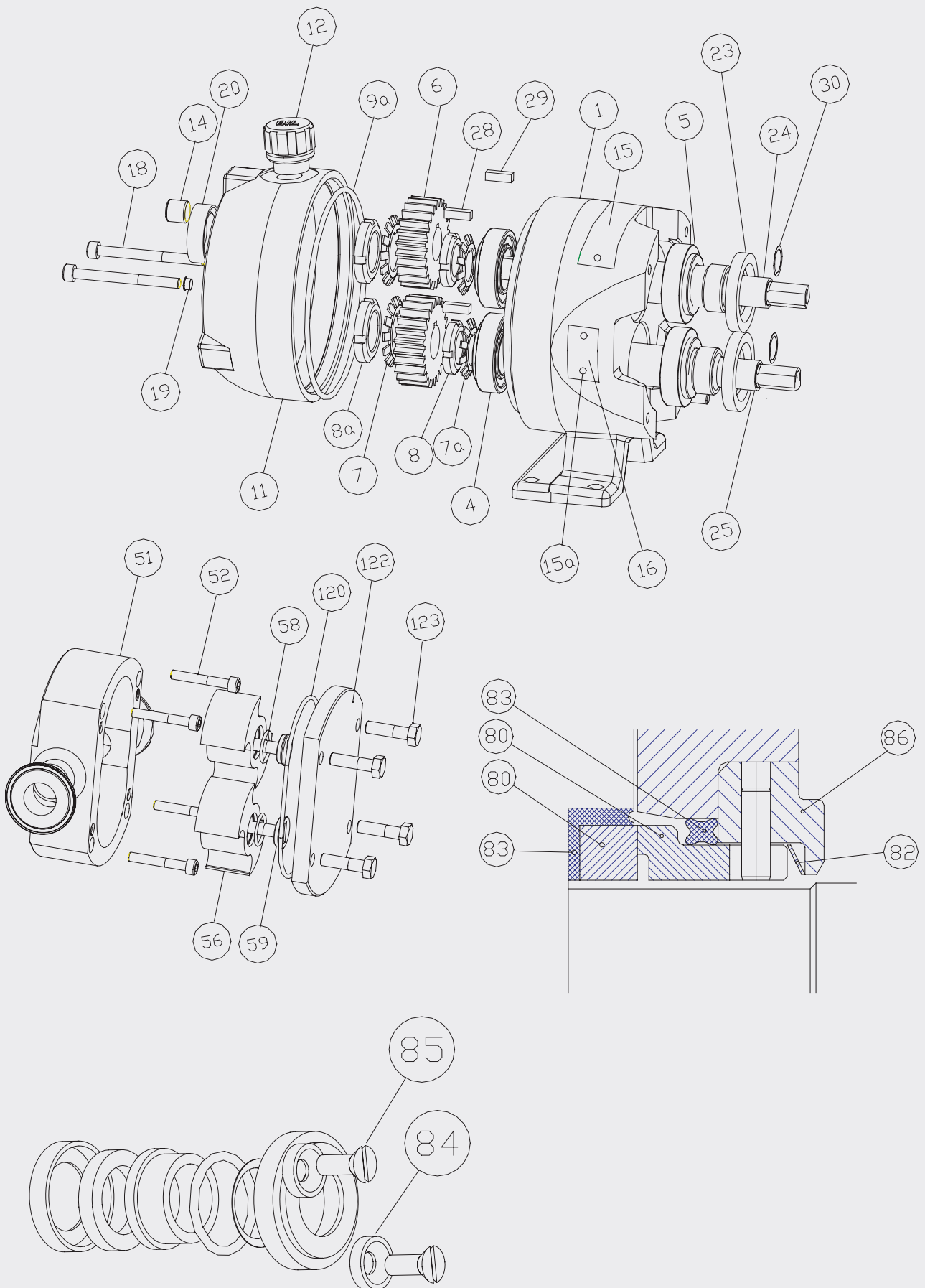


TABLE OF CONTENTS

TECHNICAL DRAWINGS	4
Pump series LH30	4
Pump series LH40	6
Pump series LH50	8
Pump series LH60	10
Pump series LH70	12
PUMP SERIES LH30	14
Gearbox & Bearing Housing	14
Rotor case & Rotor	14
Single mechanical seal	16
Flush for single mechanical seal	17
Relief valve	18
Thermal jacket	18
Tool	18
PUMP SERIES LH40	19
Gearbox & Bearing Housing	19
Rotor case & Rotor	19
Ports	21
Single mechanical seal	22
Flush for single mechanical seal	23
Double mechanical seal Conversion Kit	24
Single O-Ring Seal	24
Double O-Ring Seal	24
Relief valve	25
Thermal jacket	25
Tool	26
PUMP SERIES LH50	27
Gearbox & Bearing Housing	27
Rotor case & Rotor	27
Ports	29
Single mechanical seal	30
Flush for single mechanical seal	32
Double mechanical seal Conversion Kit	32
Single O-Ring Seal	32
Double O-Ring Seal	33
Relief valve	33
Thermal jacket	34
Tool	34

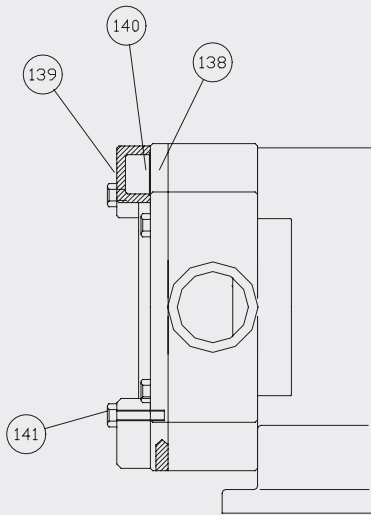
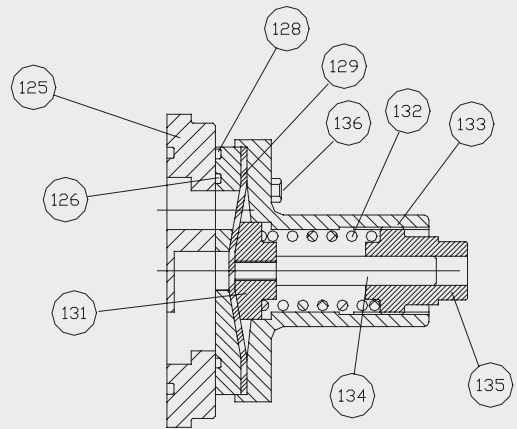
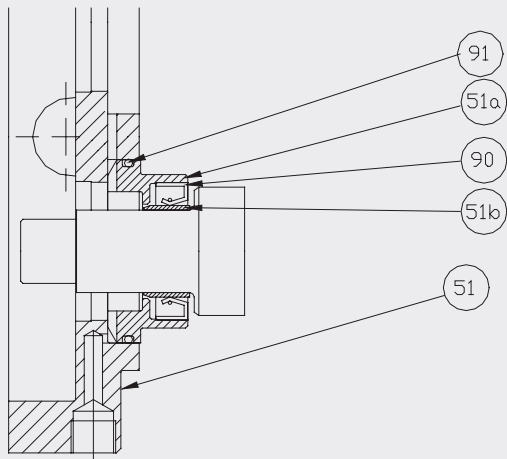
PUMP SERIES LH60	35
Gearbox & Bearing Housing	35
Rotor case & Rotor	35
Ports	37
Single mechanical seal	38
Flush for single mechanical seal	40
Double mechanical seal Conversion Kit	40
Single O-Ring Seal	40
Double O-Ring Seal	41
Relief valve	41
Thermal jacket	42
Tool	42
PUMP SERIES LH70	43
Gearbox & Bearing Housing	43
Rotor case for All Mech Seals	43
Rotor case for Hopper with Mech Seals	48
Rotor Kit (Includes rotor x 2pcs)	51
Single mechanical seal	52
Flush for single mechanical seal	53
Double mechanical seal Conversion Kit	53
Relief valve	54
Thermal jacket	54
Tool	54

TECHNICAL DRAWINGS
 Pump series LH30

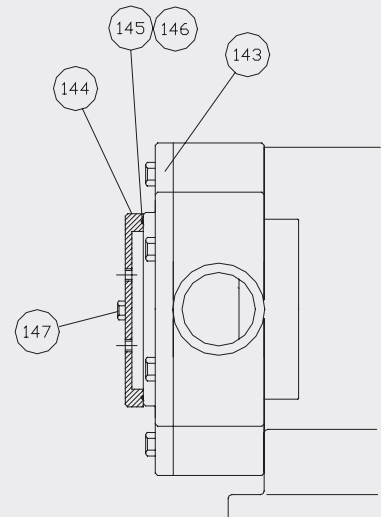


TECHNICAL DRAWINGS

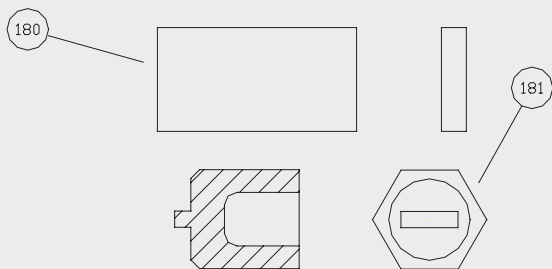
Pump series LH30



Thermal Jacket - Pump Head

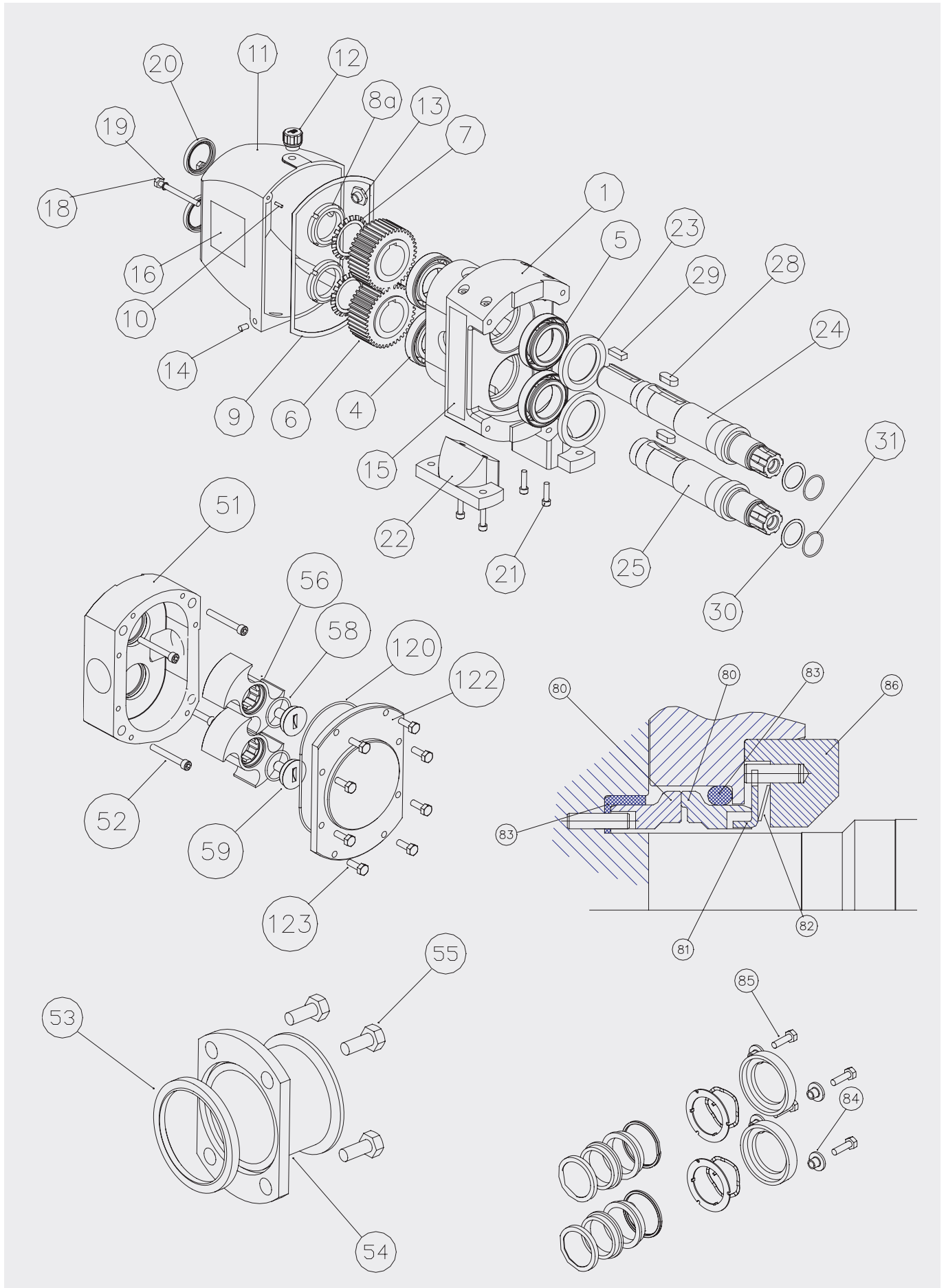


Thermal Jacket - End Cover



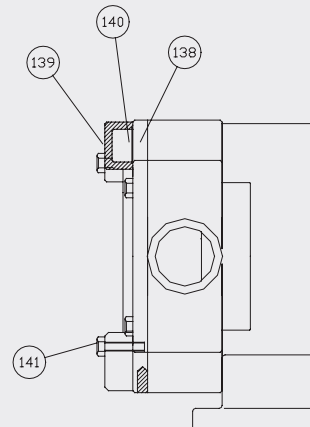
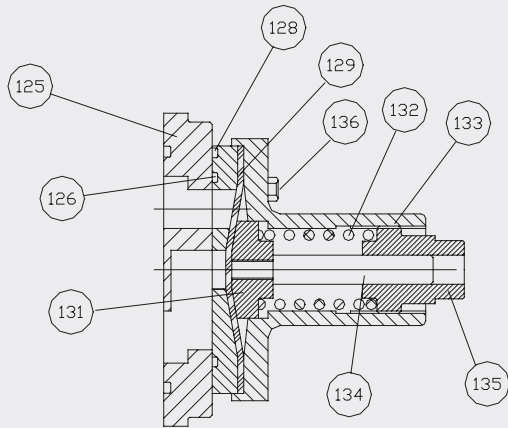
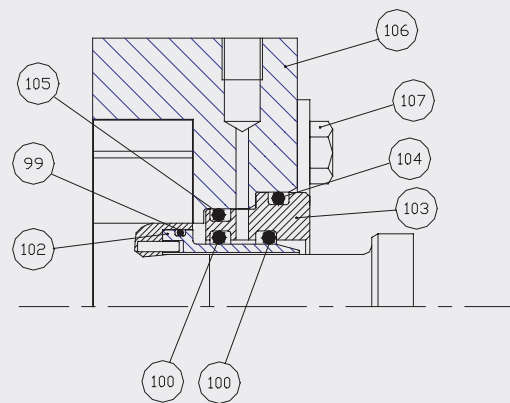
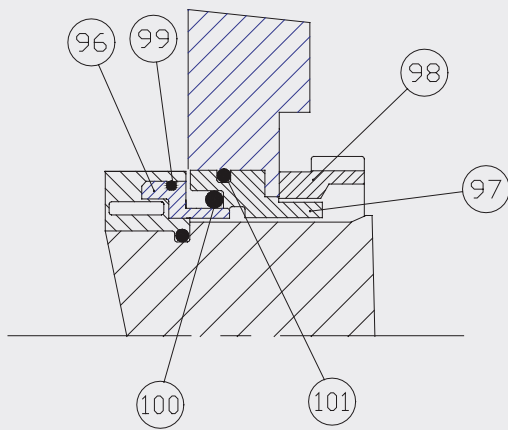
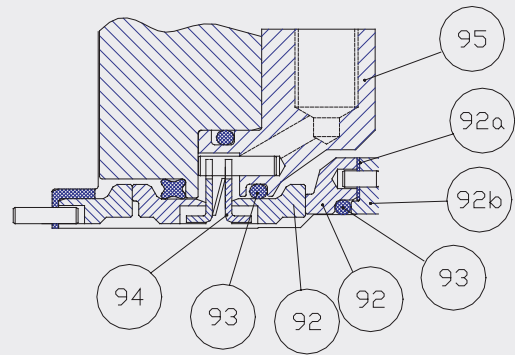
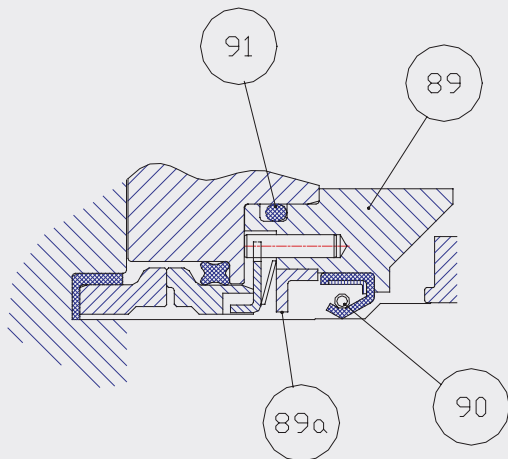
TECHNICAL DRAWINGS

Pump series LH40

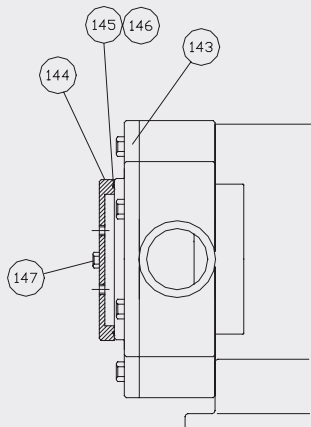


TECHNICAL DRAWINGS

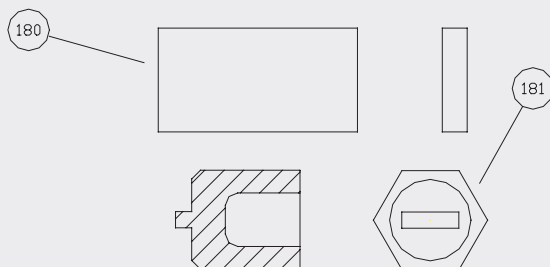
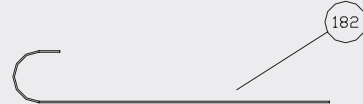
Pump series LH40



Thermal Jacket - Pump Head

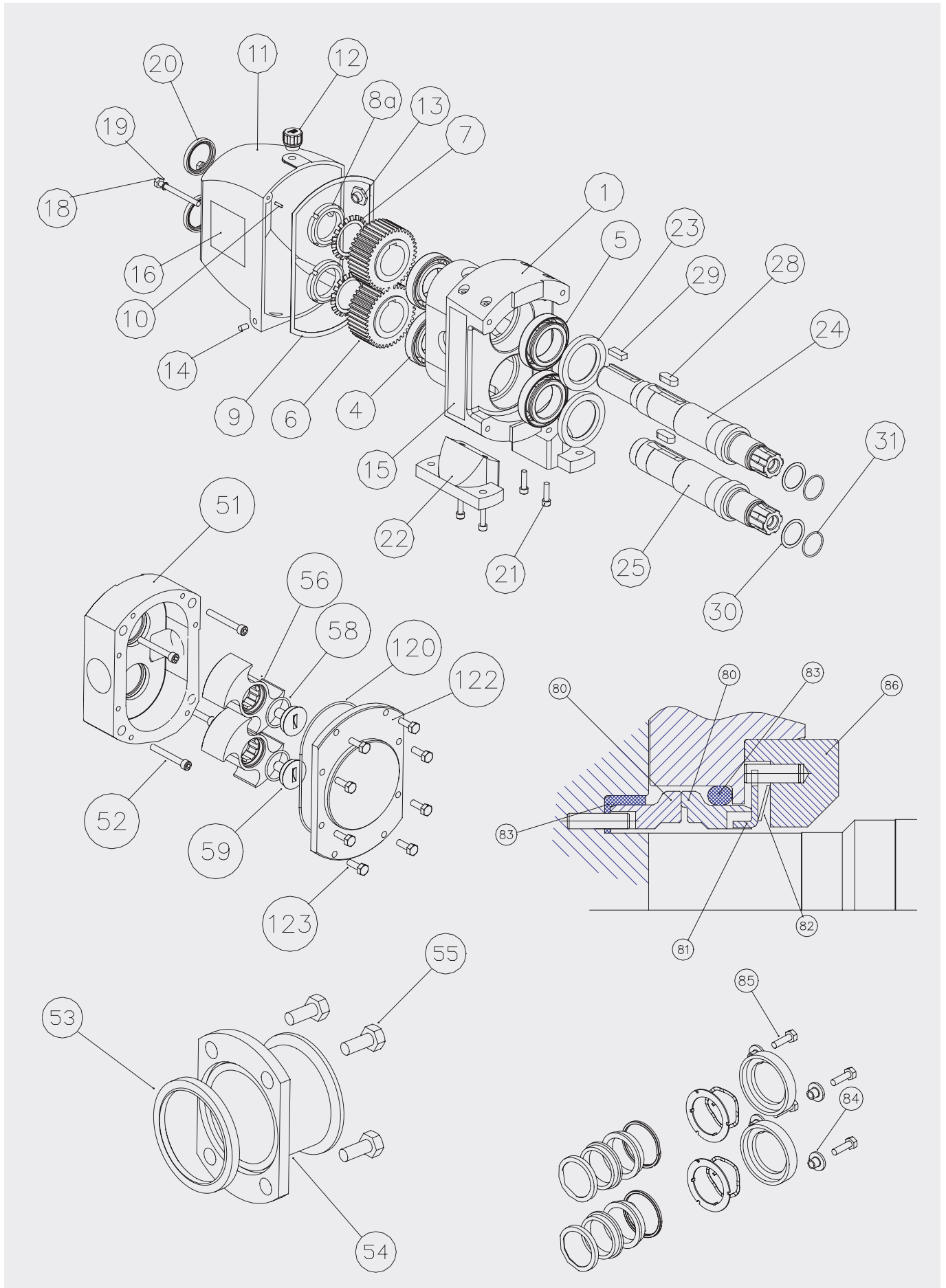


Thermal Jacket - End Cover



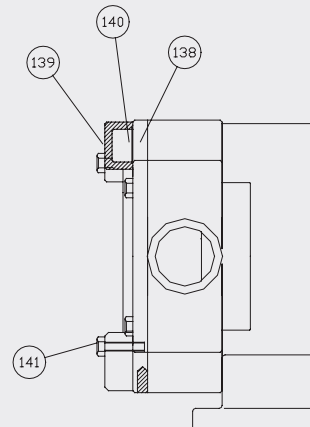
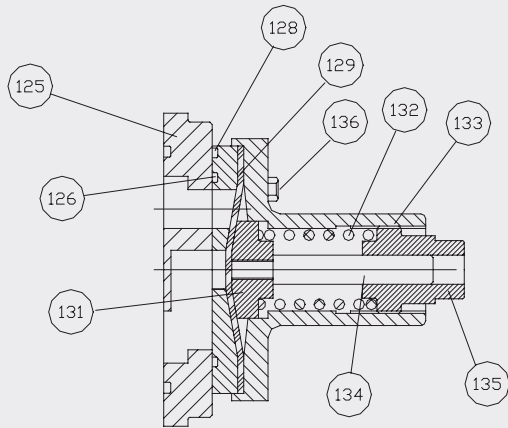
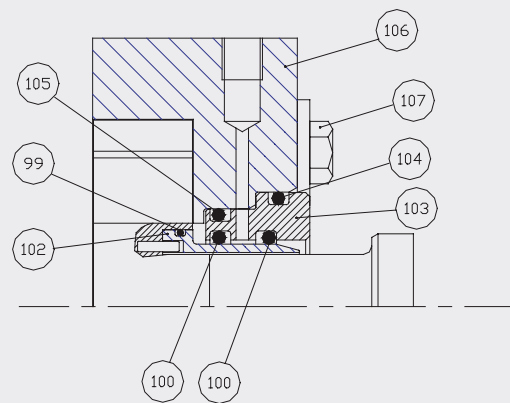
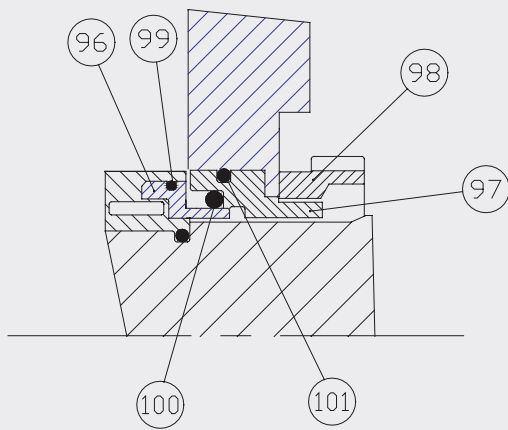
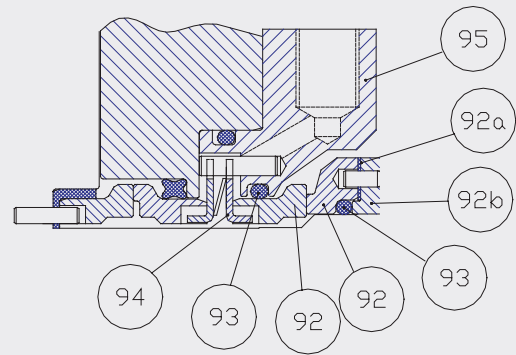
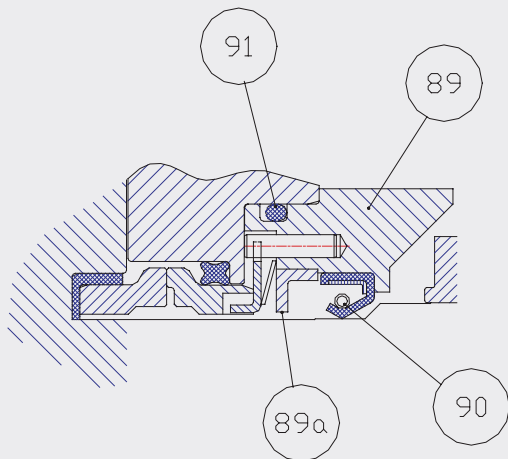
TECHNICAL DRAWINGS

Pump series LH50

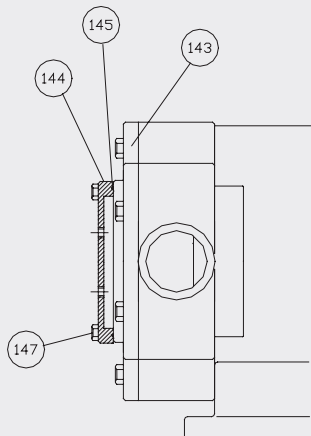


TECHNICAL DRAWINGS

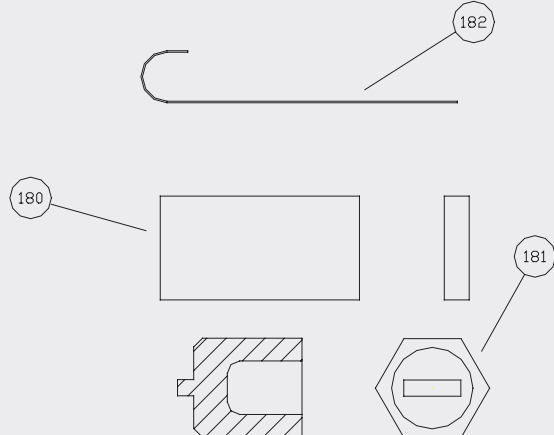
Pump series LH50



Thermal Jacket - Pump Head

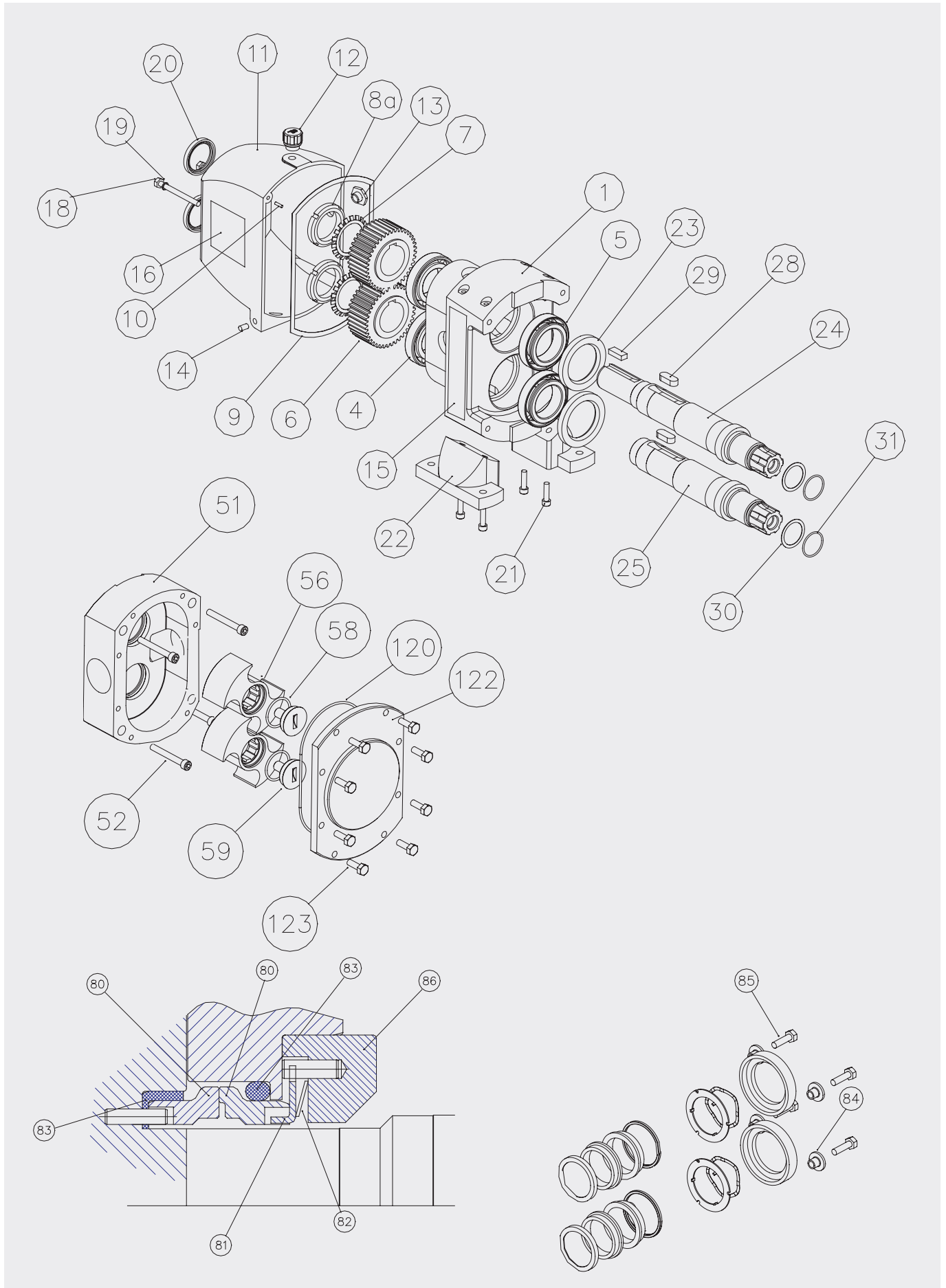


Thermal Jacket - End Cover



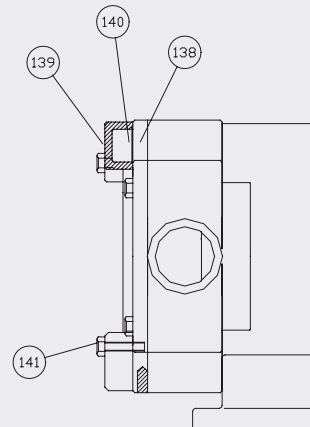
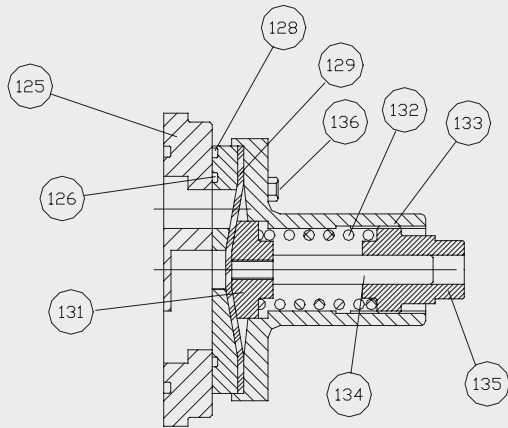
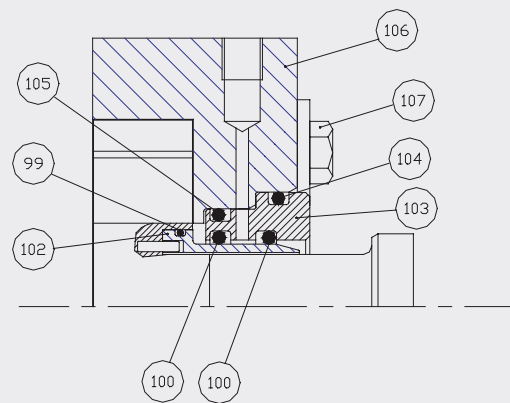
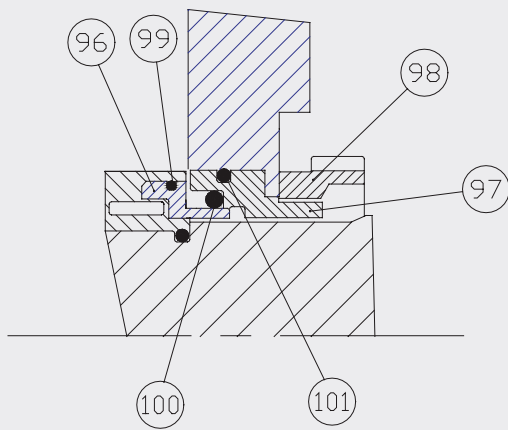
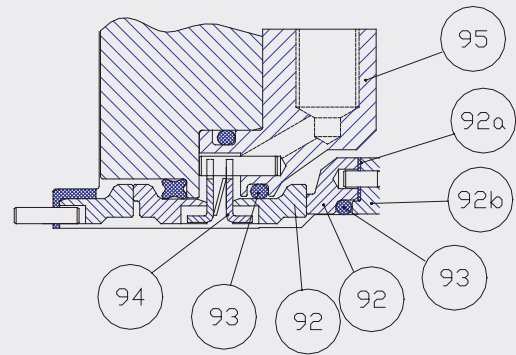
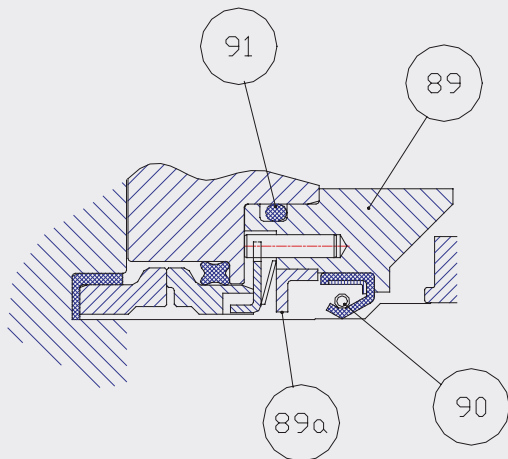
TECHNICAL DRAWINGS

Pump series LH60

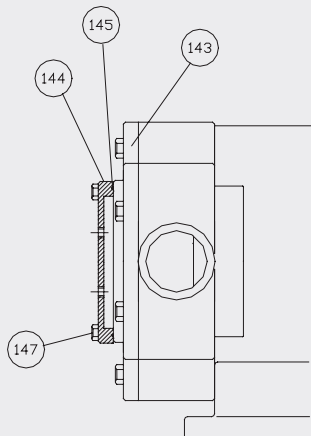


TECHNICAL DRAWINGS

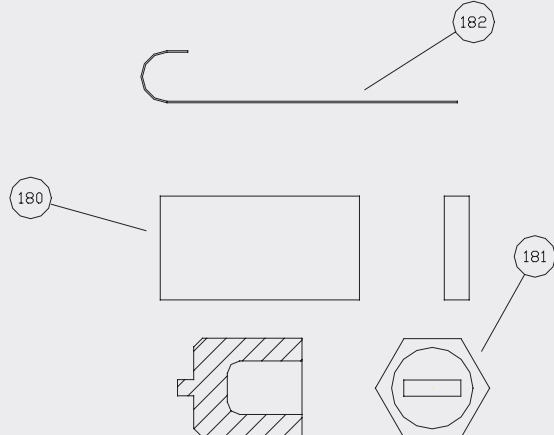
Pump series LH60



Thermal Jacket - Pump Head

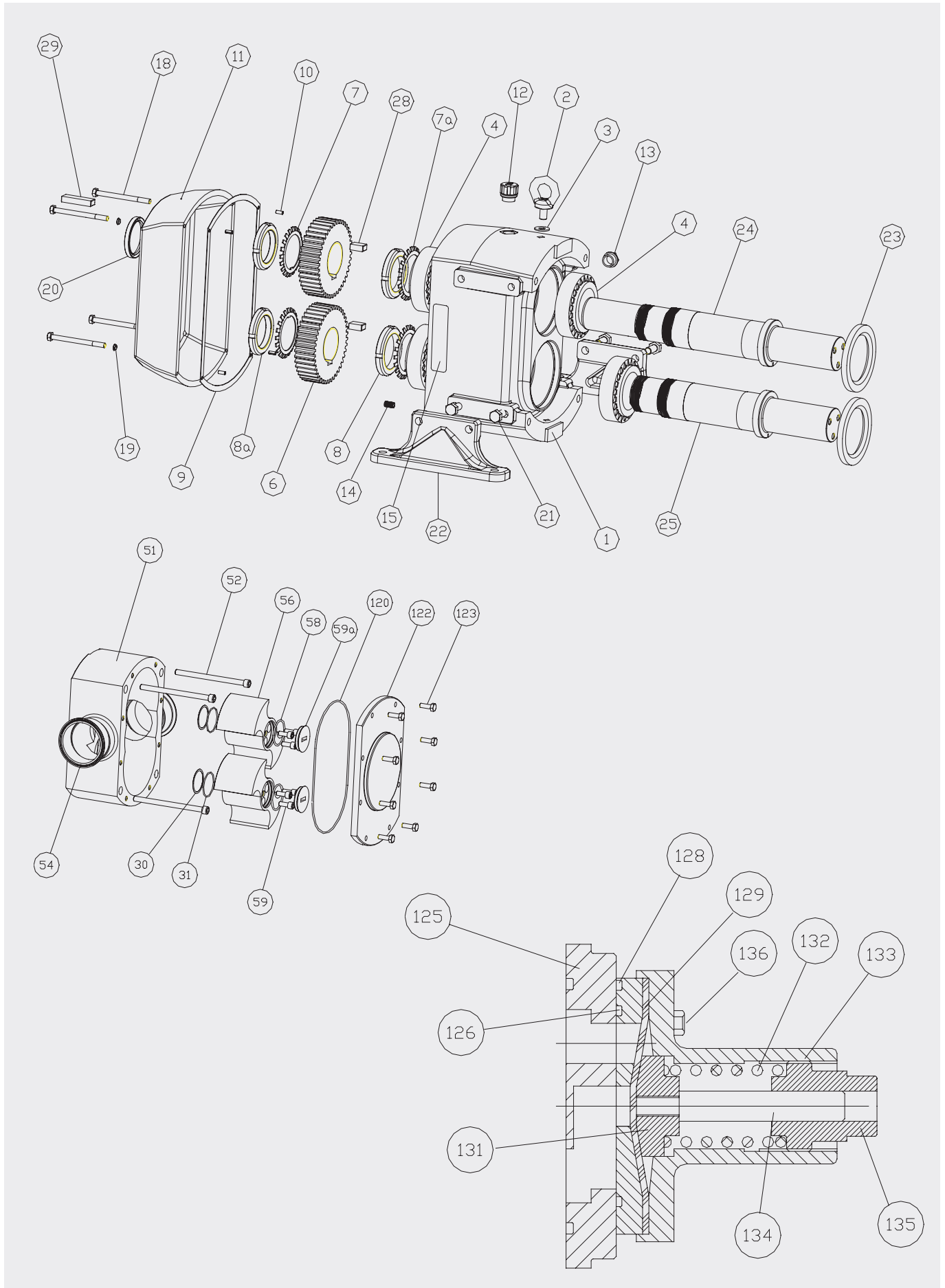


Thermal Jacket - End Cover



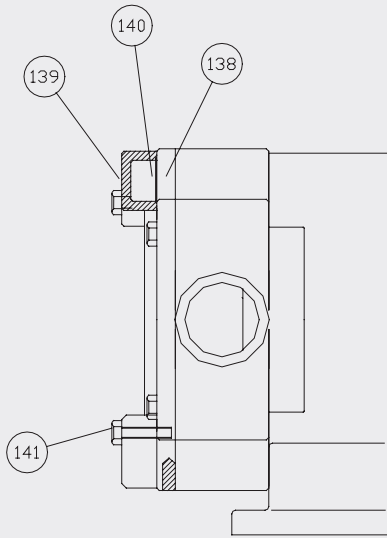
TECHNICAL DRAWINGS

Pump series LH70

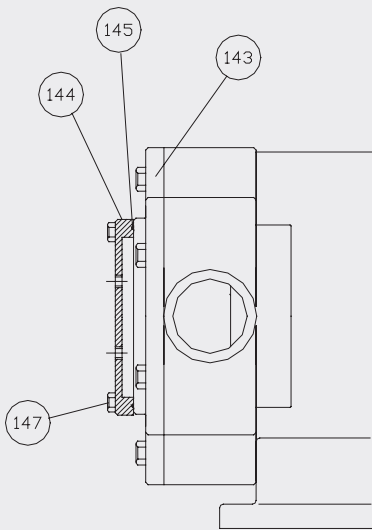


TECHNICAL DRAWINGS

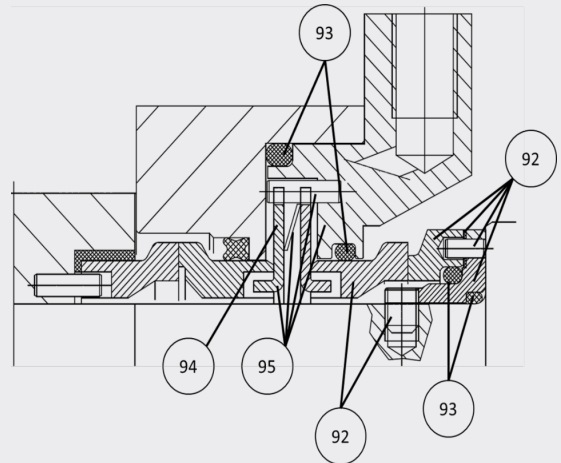
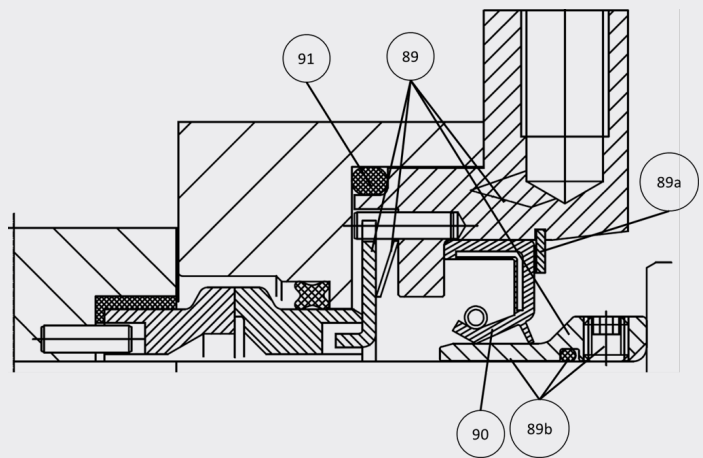
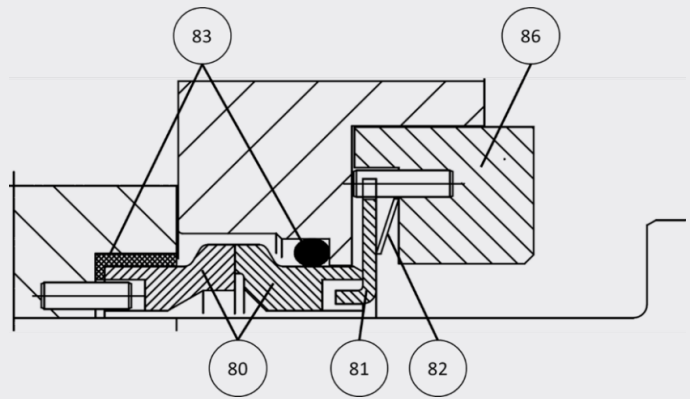
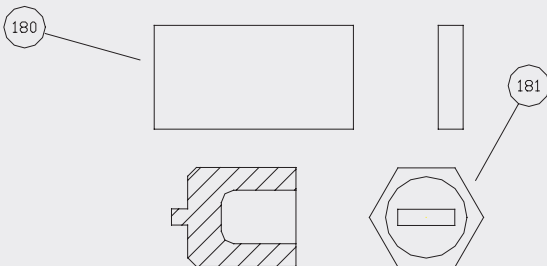
Pump series LH70



Thermal Jacket - Pump Head



Thermal Jacket - End Cover



PUMP SERIES LH30

Gearbox & Bearing Housing

Item	Part nr.	Description	Material	Used	Quantity/ pump
1	J54305-2000	Bearing Carrier Housing	AL	LH30	1
4	J92601-6002	Bearing - Rear			2
5	J92601-6002	Bearing - Front			2
6	J54308-0000	Timing Gear Set (2 gears per set)			1
7	J91602-6001	Tab Washer - Gear Nut			2
7a	J91613-6006	Tab Washer - Bearing Nut			2
8	J91085-6002	Bearing Nut			2
8a	J91085-6006	Gear Nut			2
9a	JSP2000-03	O-Ring - Gear Cover			1
11	J54306-2050	Gear Cover - Aluminium	AL		1
12	J24020-0002	Plug - Oil Filler/Breather			1
14	JSP2650-0220	Drain Plug			1
15	J23005-1390	Label - Hy-Line/Ultima			1
15a	JX3058-022F	Rivets			2
16	J23005-1919	Label - Model no., Spec			1
18	JX3007-195F	Screw - Gear Cover			2
19	JSP1613-1389	Washer, Gear Cover	Nylite		1
20	J92701-6004	Lip Seal Rear - Gear Cover			1
23	J92701-6066	Lip Seal Front - Bearing Carrier Housing	Silicone		2
24	J54327-0000	Shaft - Driving		LH32	1
	J54347-0000	Shaft - Driving		LH34	1
25	J54328-0000	Shaft - Driven		LH32	1
	J54348-0000	Shaft - Driven		LH34	1
28	JX4000-109A	Key - Timing Gear Drive		LH30	2
29	JX4000-109A	Key - Drive Shaft			2
30	J54386-0000B	Shim Kit - Rotor Clearance			1
31	J54318-0000	Foot			1
Kit	J54385-0000B	Gearbox Service Kit			1

PUMP SERIES LH30

Rotor case & Rotor

Item	Part nr.	Description	Material	Used	Quantity/ pump
51		Rotor Case *		LH30	1
52	JX3007-186F	Screw - Rotor Case			4
56	J54322-0009B	High Pressure - Standard Machined	SS316L	LH32	1
	J54342-0009B	High Pressure - Standard Machined	SS316L	LH34	1
	J54322-0099B	High Pressure - Electro-Polish	SS316L	LH32	1
	J54342-0099B	High Pressure - Electro-Polish	SS316L	LH34	1
	J54322-0019B	High Pressure - MP & EP	SS316L	LH32	1
	J54342-0019B	High Pressure - MP & EP	SS316L	LH34	1
	J54322-0008B	High Efficiency - Standard Machined	SS316L	LH32	1
	J54322-0098B	High Efficiency - Electro-Polish	SS316L	LH32	1

PUMP SERIES LH30

Rotor case & Rotor

Item	Part nr.	Description	Material	Used	Quantity/ pump
	J54322-0018B	High Efficiency - MP & EP	SS316L	LH32	1
58	J92000-6047	O-Ring - Rotor Retainer	Nitrile	LH30	2
	J92000-6058	O-Ring - Rotor Retainer	EPDM		2
	J92000-6058U	O-Ring - Rotor Retainer	EPDM (USP VI)		2
	J92000-6057	O-Ring - Rotor Retainer	Viton		2
	J92000-6059	O-Ring - Rotor Retainer	PTFE		2
59	J54325-0000	Rotor Retaining Screw			2
120	J92000-6049	O-Ring - End Cover	Nitrile		1
	J92000-6055	O-Ring - End Cover	EPDM		1
	J54373-0007U	O-Ring - End Cover	EPDM (USP VI)		1
	J92000-6054	O-Ring - End Cover	Viton		1
	J92000-6056	O-Ring - End Cover	PTFE		1
122	J54309-0000	End Cover - Plain O-Ring Joint - STD	SS316		1
	J54309-0090	End Cover - Plain O-Ring Joint - EP	SS316		1
	J54309-0010	End Cover - Plain O-Ring Joint - MP&EP	SS316		1
123	JX3001-209F	Bolt - End Cover			4
51	TRI-CLAMP				
	J54323-1000	ROTOR CASE ASSY LH320 (SGL MECH)		LH32	1
	J54323-1002	ROTOR CASE ASSY LH320 (DBL ORING)		LH32	1
	J54323-1004	ROTOR CASE ASSY LH320 (SGL MECH FLUSH)		LH32	1
	J54323-1010	ROTOR CASE ASSY LH320 (SGL MECH) Z POL		LH32	1
	J54323-1100	ROTOR CASE ASSY LH32L (SGL MECH)		LH32L	1
	J54323-1104	ROTOR CASE ASSY LH32L (SGL MECH FLUSH)		LH32L	1
	J54323-1110	ROTOR CASE ASSY LH32L Z-POL (SGL MECH)		LH32L	1
	J54323-1190	ROTORCASE ASSY LH32L Y POLISH ((SGL MECH)		LH32L	1
	J54343-1000	ROTOR CASE ASSY LH340 (SGL MECH)		LH34	1
	J54343-1004	ROTOR CASE ASSY LH340 (SGL MECH FLUSH)		LH34	1
	J54343-1010	ROTOR CASE ASSY LH340 Z POL (SGL MECH)		LH34	1
	J54343-1150	ROTOR CASE ASSY LH34L (SGL MECH)		LH34L	1
	J54343-1152	ROTOR CASE ASSY LH34L DBL O-RING		LH34L	1
	J54343-1154	ROTOR CASE ASSY LH34L (SGL MECH FLUSH)		LH34L	1
	BSP				
	J54323-2000	ROTOR CASE ASSY LH320 (SGL MECH)		LH32	1
	J54323-2004	ROTOR CASE ASSY LH320 (SGL MECH FLUSH)		LH32	1
	J54323-2100	ROTOR CASE ASSY LH32L (SGL MECH)		LH32L	1
	J54323-2104	ROTOR CASE ASSY LH32L (SGL MECH FLUSH)		LH32L	1
	J54343-2000	ROTOR CASE ASSY LH340 (SGL MECH)		LH34	1
	J54343-2150	ROTOR CASE ASSY LH34L (SGL MECH)		LH34L	1
	J54343-2154	ROTOR CASE ASSY LH34L (SGL MECH FLUSH)		LH34L	1
	IDF				
	J54323-3000	ROTOR CASE ASSY LH320 (SGL MECH)		LH32	1
	J54323-3100	ROTOR CASE ASSY LH32L (SGL MECH)		LH32L	1
	J54343-3100	ROTOR CASE ASSY LH340 (SGL MECH)		LH34	1
	J54343-3150	ROTOR CASE ASSY LH34L (SGL MECH)		LH34L	1
	J54343-3154	ROTOR CASE ASSY LH34L (SGL MECH FLUSH)		LH34L	1
	RJT				
	J54323-4100	ROTOR CASE ASSY LH32L (SGL MECH)		LH32L	1

PUMP SERIES LH30

Rotor case & Rotor

Item	Part nr.	Description	Material	Used	Quantity/ pump
	J54323-4104	ROTOR CASE ASSY LH32L (SGL MECH FLUSH)		LH32L	1
	J54343-4100	ROTOR CASE ASSY LH340 (SGL MECH)		LH34	1
	J54343-4104	ROTOR CASE ASSY LH340 (SGL MECH FLUSH)		LH34	1
	J54343-4150	ROTOR CASE ASSY LH34L (SGL MECH)		LH34L	1
	J54343-4154	ROTOR CASE ASSY LH34L (SGL MECH FLUSH)		LH34L	1
	ACME				
	J54323-5100	ROTOR CASE ASSY LH32L (SGL MECH)		LH32L	1
	DIN				
	J54323-6000	ROTOR CASE ASSY LH320 (SGL MECH)		LH32	1
	J54323-6004	ROTOR CASE ASSY LH320 (SGL MECH FLUSH)		LH32	1
	J54323-6100	ROTOR CASE ASSY LH32L (SGL MECH)		LH32L	1
	J54323-6104	ROTOR CASE ASSY LH32L (SGL MECH FLUSH)		LH32L	1
	J54343-6100	ROTOR CASE ASSY LH340 (SGL MECH)		LH34	1
	J54343-6104	ROTOR CASE ASSY LH340 (SGL MECH FLUSH)		LH34	1
	J54343-6151	ROTOR CASE ASSY LH34L (SGL MECH)		LH34L	1
	J54343-6154	ROTOR CASE ASSY LH34L (SGL MECH FLUSH)		LH34L	1
	J54343-6190	ROTORCASE ASSY LH340 Y POLISH (SGL MECH)		LH34	1
	SMS				
	J54323-7100	ROTOR CASE ASSY LH32L (SGL MECH)		LH32L	1
	J54323-7104	ROTOR CASE ASSY LH32L (SGL MECH FLUSH)		LH32L	1
	J54343-7100	ROTOR CASE ASSY LH340 (SGL MECH)		LH34	1
	J54343-7104	ROTOR CASE ASSY LH340 (SGL MECH FLUSH)		LH34	1
	J54343-7150	ROTOR CASE ASSY LH34L (SGL MECH)		LH34L	1
	J54343-7154	ROTOR CASE ASSY LH34L (SGL MECH FLUSH)		LH34L	1

PUMP SERIES LH30

Single mechanical seal

Item	Part nr.	Description	Material	Used	Quantity/ pump
80	J96080-6007	Primary Seal Face Kit (Includes both faces)	C/SS	LH30	2
	JSP6080-0528	Primary Seal Face Kit (Includes both faces)	C/SiC		2
	JSP6080-0527	Primary Seal Face Kit (Includes both faces)	SiC/SiC		2
82	JX5250-005	Wave Spring - Mechanical Seal			2
83	J96080-6008	Single Seal Trim Kit	Nitrile		2
	JSP6080-0545	Single Seal Trim Kit	EPDM		2
	J96080-0619	Single Seal Trim Kit	Viton		2
	JSP6080-0547	Single Seal Trim Kit	PTFE		2
84	J55043-0000	Clamp Plate			4
85	JX3005-178F	Screw - Seal Housing			4
86	JSP6080-0538	Seal Housing Kit (includes wave spring)			2
Kit	J54384-9070B	Pump Head Trim Kit	Nitrile		1
	J54384-9077B	Pump Head Trim Kit	EPDM		1

PUMP SERIES LH30

Single mechanical seal

Item	Part nr.	Description	Material	Used	Quantity/ pump
	J54384-9074B	Pump Head Trim Kit	Viton		1
	J54384-9072B	Pump Head Trim Kit	PTFE		1
	J54399-0001	Seal Service Kit, C/SS	Nitrile		1
	J54399-0003	Seal Service Kit, C/SS	EPDM		1
	J54399-0005	Seal Service Kit, C/SS	Viton		1
	J54399-0007	Seal Service Kit, C/SS	PTFE		1
	J54399-0009	Seal Service Kit, C/SiC	Nitrile		1
	J54399-0011	Seal Service Kit, C/SiC	EPDM		1
	J54399-0013	Seal Service Kit, C/SiC	Viton		1
	J54399-0015	Seal Service Kit, C/SiC	PTFE		1
	J54399-0017	Seal Service Kit, SiC/SiC	Nitrile		1
	J54399-0019	Seal Service Kit, SiC/SiC	EPDM		1
	J54399-0021	Seal Service Kit, SiC/SiC	Viton		1
	J54399-0023	Seal Service Kit, SiC/SiC	PTFE		1

PUMP SERIES LH30

Flush for single mechanical seal

Item	Part nr.	Description	Material	Used	Quantity/ pump
51	SEE ROTOR	Rotor Case - Flushed		LH30	1
		Case Part No.'s			1
51a	J54344-0000	Housing - Flushed Seal			2
51b	J54351-0011	Sleeve			2
90	J92700-1050	Lip Seal	Viton		2
	J92701-1035	Lip Seal	Nitrile		2
91	J92000-6034	O-Ring	Nitrile		2
Kit	J54345-0001	Flushed Seal Housing Kit	Viton		1
	J54345-0000	Flushed Seal Housing Kit	Nitrile		1

PUMP SERIES LH30

Relief valve

Item	Part nr.	Description	Material	Used	Quantity/ pump
125	J54309-0001	End Cover		LH30	1
126	JX1990-119	O-Ring - Relief Valve	Nitrile		1
	JX1990-123	O-Ring - Relief Valve	PTFE		1
	J92000-6068	O-Ring - Relief Valve	Viton		1
128	J54372-0000	Seat - Relief valve			1
129	J54373-0000	Diaphragm - Relief Valve	Nitrile		1
	J54373-0001	Diaphragm - Relief Valve	PTFE		1
131	J24074-0000	Plunger			1
132	J24075-0000	Spring - Relief Valve			1
133	J54382-0000	Housing			1
134	J24077-0000	Valve Guide			1
135	J24078-0000	Adjusting Screw			1
136	JX3001-184F	Bolt - Relief Valve			4
Kit	J54381-0000B	Relief Valve Kit (includes components above)			1

PUMP SERIES LH30

Thermal jacket

Item	Part nr.	Description	Material	Used	Quantity/ pump
138	J54309-0003	End Cover		LH30	1
139	J54301-0001	Jacket			2
140	J92000-1457	O-Ring			2
141	JX3001-213F	Screws			4
Kit	J54380-0003B	Pump Head Jacket Kit (Includes components above)			1
143	J54309-0004	End Cover			1
144	J54379-0000	Jacket			1
145	JX4020-374B	O-Ring - Outer			1
146	JX4020-112B	O-Ring - Inner			1
147	JX3007-178F	Screws			1
Kit	J54380-0004B	End Cover Jacket Kit (Includes components above)			1
	J54380-0009B	Relief Valve with Thermal Jacket - End Cover			1

PUMP SERIES LH30

Tool

Item	Part nr.	Description	Material	Used	Quantity/ pump
180	J55027-0000	Tool - Rotor Locking Pad		LH30	1
181	J54376-0000	Socket Tool - Rotor Retainer			1
182	J55274-0000	Tool - Seal Seat Removal			1

PUMP SERIES LH40

Gearbox & Bearing Housing

Item	Part nr.	Description	Material	Used	Quantity/ pump
1	J54405-0000	Bearing carrier Housing	AL	LH40	1
4	J92601-0480	Bearing Rear			2
5	J92601-0480	Bearing Front			2
6	J54408-0001	Timing Gear Set (2 gears per set)			1
7	J92601-0482	Tab Washer - Gear Nut			2
8a	J92601-0481	Gear Nut			2
9	J54407-0000	Gasket Gear Cover			1
10	JSP3100-0225	Roll Pin - Bearing Carrier Housing			2
11	J54406-0100	Gear Cover	AL		1
12	J24020-0002	Plug - Oil Filler/Breather			1
13	JSP8022-2248	Oil Level Window			1
14	JSP2650-0220	Drain Plug			1
15	J23005-1820	Label - Hy-Line			1
16	J23005-1822	Label - Rotary Lobe Pump			1
18	JX3001-195F	Screw - Gear Cover			2
19	JSP1613-1389	Washer - Gear Cover	Nylon		2
20	JSP2701-0903	Lip Seal - Rear Gear Cover			2
21	JX3007-182F	Screws - Foot Mounting Horizontal			4
	JX3001-182F	Screws - Foot Mounting Vertical			4
	JSP3100-0227	Roll pin - Foot			2
22	J54418-0100	Foot - Horizontal Ports	AL		2
	J54419-0000	Foot - Vertical Ports	SS		2
23	J92701-1027	Lip Seal - Front Bearing Carrier Housing			2
24	J54427-0000	Shaft - Driving		LH42	1
	J54447-0000	Shaft - Driving		LH44	1
25	J54428-0000	Shaft - Driven		LH42	1
	J54448-0000	Shaft - Driven		LH44	1
28	JX4000-461A	Key - Timing Gear Drive		LH40	2
29	JX4000-487A	Key - Drive Shaft			1
30	J54486-0000B	Shim Kit - Rotor Clearance			1
31	J92000-1422	O-Ring - Shim Retention	Nitrile		2
Kit	J54485-0000B	Gearbox Service Kit			1

PUMP SERIES LH40

Rotor case & Rotor

Item	Part nr.	Description	Material	Used	Quantity/ pump
51		Rotor Case *			1
52	JX3007-218F	Screw - Rotor Case		LH42	4
	JX3007-222F	Screw - Rotor Case		LH44	4
56	J54422-0009B	High Pressure - Standard Machined	SS316	LH42	1
	J54442-0009B	High Pressure - Standard Machined	SS316	LH44	1
	J54422-0099B	High Pressure - Electro-Polish	SS316	LH42	1

PUMP SERIES LH40

Rotor case & Rotor

Item	Part nr.	Description	Material	Used	Quantity/ pump
	J54442-0099B	High Pressure - Electro-Polish	SS316	LH44	1
	J54422-0019B	High Pressure - MP & EP	SS316	LH42	1
	J54442-0019B	High Pressure - MP & EP	SS316	LH44	1
	J54422-0008B	High Efficiency - Standard Machined	SS316	LH42	1
	J56422-0098B	High Efficiency - Electro-Polish	SS316	LH42	1
	J56422-0018B	High Efficiency - MP & EP	SS316	LH42	1
58	J92000-1423	O-Ring - Rotor Retainer	Nitrile	LH40	2
	J92000-1452	O-Ring - Rotor Retainer	EPDM		2
	J92000-1450	O-Ring - Rotor Retainer	Viton		2
	J92000-6024	O-Ring - Rotor Retainer	PTFE		2
59	J54425-0000	Rotor Retaining Screw - standard finish			2
	J54425-0090	Rotor Retaining Screw - Polish code Y			2
	J54425-0010	Rotor Retaining Screw-Polish code Z			2
60	J24068-0001	Shaft Guard (Not Shown on Exploded View)			2
61	J24069-0002	Shaft Guard Stud (Not Shown on Exploded View)			2
62	JX3070-061F	Shaft Guard Nut (Not Shown on Exploded View)			2
120	J92000-1441	O-Ring - End Cover	Nitrile		1
	J92000-1440	O-Ring - End Cover	EPDM		1
	J92000-1442	O-Ring - End Cover	Viton		1
	J92000-6027	O-Ring - End Cover	PTFE		1
122	J54409-0000	"End Cover-Plain O-Ring Joint 316SS, Standard Machined Finish, Bolt on ports"			1
	J54409-0090	"End Cover-Plain O-Ring Joint 316SS, Electro-Polish Finish, Bolt on ports"			1
	J54409-0010	"End Cover-Plain O-Ring Joint 316SS, MP & EP Finish, Bolt on ports"			1
	J56409-0000	End Cover-Controlled Compression Joint (Gasket), STD Ma- chined Finish, Welded ports			1
	J56409-0090	End Cover-Controlled Compression Joint (Gasket), Electro- Polish Finish, Welded ports			1
	J56409-0010	End Cover-Controlled Compression Joint (Gasket), MP & EP Finish, Welded ports			1
123	JX3001-211F	Bolt - End Cover			4
51		For Bolt on Ports (All Mech Seals)			
	J54423-0000	Standard Machined Finish		LH42	1
	J54443-0000	Standard Machined Finish		LH44	1
	J54423-0090	Electro-Polish Finish		LH42	1
	J54443-0090	Electro-Polish Finish		LH44	1
	J54423-0010	0.5 Micron & Electro-Polish Finish		LH42	1
	J54443-0010	0.5 Micron & Electro-Polish Finish		LH44	1
		For Bolt on Ports + Hopper Inlet (All mech seals)			
	J54423-0001	Standard Machined Finish		LH42	1
	J54443-0001	Standard Machined Finish		LH44	1
	J54423-0091	Electro-Polish Finish		LH42	1
	J54443-0091	Electro-Polish Finish		LH44	1
	J54423-0011	0.5 Micron & Electro-Polish Finish		LH42	1
	J54443-0011	0.5 Micron & Electro-Polish Finish		LH44	1

PUMP SERIES LH40

Rotor case & Rotor

Item	Part nr.	Description	Material	Used	Quantity/ pump
For Welded Tri Clamp Ports					
	J56423-1000	Standard Machined Finish		LH42	1
	J56443-1000	Standard Machined Finish		LH44	1
	J56423-1090	Electro-Polish Finish		LH42	1
	J56443-1090	Electro-Polish Finish		LH44	1
	J56423-1010	0.5 Micron & Electro-Polish Finish		LH42	1
	J56443-1010	0.5 Micron & Electro-Polish Finish		LH44	1

PUMP SERIES LH40

Ports

Item	Part nr.	Description	Material	Used	Quantity/ pump
53	J54058-0100	Port Joint Ring	Nitrile	LH42	2
	J54058-0150	Port Joint Ring	Nitrile	LH44	2
	J24058-0107	Port Joint Ring	EPDM	LH42	2
	J24058-0157	Port Joint Ring	EPDM	LH44	2
	J54058-0104	Port Joint Ring	Viton	LH42	2
	J54058-0154	Port Joint Ring	Viton	LH44	2
	J24058-0102	Port Joint Ring	PTFE	LH42	2
	J24058-0152	Port Joint Ring	PTFE	LH44	2
54	J24055-1100B	Tri - Clamp (BS4825 part 3) - Standard		LH42	1
	J24055-1150B	Tri - Clamp (BS4825 part 3) - Standard		LH44	1
	J24255-1150B	Tri - Clamp (BS4825 part 3) - Enlarged		LH42	1
	J24255-1200B	Tri - Clamp (BS4825 part 3) - Enlarged		LH44	1
	J24055-2100B	BSP (BS2779) - Standard		LH42	1
	J24055-2150B	BSP (BS2779) - Standard		LH44	1
	J24255-2150B	BSP (BS2779) - Enlarged		LH42	1
	J24255-2200B	BSP (BS2779) - Enlarged		LH44	1
	J24055-3100B	IDF (ISO 2853) - Standard		LH42	1
	J24055-3150B	IDF (ISO 2853) - Standard		LH44	1
	J24255-3150B	IDF (ISO 2853) - Enlarged		LH42	1
	J24255-3200B	IDF (ISO 2853) - Enlarged		LH44	1
	J24055-4100B	RJT (BS1864) - Standard		LH42	1
	J24055-4150B	RJT (BS1864) - Standard		LH44	1
	J24255-4150B	RJT (BS1864) - Enlarged		LH42	1
	J24255-4200B	RJT (BS1864) - Enlarged		LH44	1
	J24055-5100B	3A ACME (BS3581) - Standard		LH42	1
	J24055-5150B	3A ACME (BS3581) - Standard		LH44	1
	J24255-5150B	3A ACME (BS3581) - Enlarged		LH42	1
	J24255-5200B	3A ACME (BS3581) - Enlarged		LH44	1
	J24055-6100B	DIN 11851 - Standard		LH42	1
	J24055-6150B	DIN 11851 - Standard		LH44	1
	J24255-6150B	DIN 11851 - Enlarged		LH42	1

PUMP SERIES LH40

Ports

Item	Part nr.	Description	Material	Used	Quantity/ pump
	J24255-6200B	DIN 11851 - Enlarged		LH44	1
	J24055-7100B	SMS 1146 - Standard		LH42	1
	J24055-7150B	SMS 1146 - Standard		LH44	1
	J24255-7150B	SMS 1146 - Enlarged		LH42	1
	J24255-7200B	SMS 1146 - Enlarged		LH44	1
	J24055-9100B	NPT - Standard		LH42	1
	J24055-9150B	NPT - Standard		LH44	1
	J24255-9150B	NPT - Enlarged		LH42	1
	J24255-9200B	NPT - Enlarged		LH44	1
55	JX3001-207F	Screw - Bolt on Port Retainers		LH4	8

PUMP SERIES LH40

Single mechanical seal

Item	Part nr.	Description	Material	Used	Quantity/ pump
80	J96080-0606	Primary Seal Face Kit (Includes both faces)	C/SS		2
	J96080-0595	Primary Seal Face Kit (Includes both faces)	C/SiC		2
	J96080-0597	Primary Seal Face Kit (Includes both faces)	SiC/SiC		2
81	JX5240-004	Drive Plate, Mechanical Seal			2
82	JX5250-017	Wave Spring			2
83	J96080-0615	Single Seal Trim Kit	Nitrile		2
	J96080-0598	Single Seal Trim Kit	EPDM		2
	J96080-0601	Single Seal Trim Kit	Viton		2
	USE 83A, 83B & 83C	Single Seal Trim Kit	PTFE		2
83a	J54020-0004	Washer under Seal Rotary Face (fitted to rotor)	Viton		2
83b	J54411-0000	Sleeve (fitted to rotor)	PTFE		2
83c	J92000-1448	Encapsulated O-Ring	PTFE encap		2
84	J56011-0000	Clamp Plate - Seal Housing			4
85	JX3001-209F	Screw - Seal Housing			4
86	J96080-0599	Seal Housing Kit (Includes wave spring)			2
Kit	J54484-9100B	Pump Head Trim Kit	Nitrile	LH42	1
	J54484-9150B	Pump Head Trim Kit	Nitrile	LH44	1
	J54484-9107B	Pump Head Trim Kit	EPDM	LH42	1
	J54484-9157B	Pump Head Trim Kit	EPDM	LH44	1
	J54484-9104B	Pump Head Trim Kit	Viton	LH42	1
	J54484-9154B	Pump Head Trim Kit	Viton	LH44	1
	J54484-9102B	Pump Head Trim Kit	PTFE	LH42	1
	J54484-9152B	Pump Head Trim Kit	PTFE	LH44	1
	J54499-0001	Seal Service Kit, C/SS	Nitrile	LH42	1
	J54499-0003	Seal Service Kit, C/SS	EPDM		1
	J54499-0005	Seal Service Kit, C/SS	Viton		1
	J54499-0007	Seal Service Kit, C/SS	PTFE		1

PUMP SERIES LH40

Single mechanical seal

Item	Part nr.	Description	Material	Used	Quantity/ pump
	J54499-0009	Seal Service Kit, C/SiC	Nitrile		1
	J54499-0011	Seal Service Kit, C/SiC	EPDM		1
	J54499-0013	Seal Service Kit, C/SiC	Viton		1
	J54499-0015	Seal Service Kit, C/SiC	PTFE		1
	J54499-0017	Seal Service Kit, SiC/SiC	Nitrile		1
	J54499-0019	Seal Service Kit, SiC/SiC	EPDM		1
	J54499-0021	Seal Service Kit, SiC/SiC	Viton		1
	J54499-0023	Seal Service Kit, SiC/SiC	PTFE		1
	J54499-0002	Seal Service Kit, C/SS	Nitrile	LH44	1
	J54499-0004	Seal Service Kit, C/SS	EPDM		1
	J54499-0006	Seal Service Kit, C/SS	Viton		1
	J54499-0008	Seal Service Kit, C/SS	PTFE		1
	J54499-0010	Seal Service Kit, C/SiC	Nitrile		1
	J54499-0012	Seal Service Kit, C/SiC	EPDM		1
	J54499-0014	Seal Service Kit, C/SiC	Viton		1
	J54499-0016	Seal Service Kit, C/SiC	PTFE		1
	J54499-0018	Seal Service Kit, SiC/SiC	Nitrile		1
	J54499-0020	Seal Service Kit, SiC/SiC	EPDM		1
	J54499-0022	Seal Service Kit, SiC/SiC	Viton		1
	J54499-0024	Seal Service Kit, SiC/SiC	PTFE		1

PUMP SERIES LH40

Flush for single mechanical seal

Item	Part nr.	Description	Material	Used	Quantity/ pump
89	J96080-0604	Seal Housing Kit		LH40	2
89a	J	Washer (Part of Seal Housing Kit)			
90	J92701-1024	Lip Seal - Seal Housing	Nitrile		2
91	J92000-1455	O-Ring - Seal Housing	Nitrile		2
Kit	J54499-0025	Flushed Seal Conversion Kit	Nitrile		1

PUMP SERIES LH40

Double mechanical seal Conversion Kit

Item	Part nr.	Description	Material	Used	Quantity/ pump
92	J96080-0596	Secondary Seal Face Kit	C/SiC	LH40	2
92a		Rubber Washer(Part of Secondary Seal Face Kit)	EPDM		
92b		Drive Ring(Part of Secondary Seal Face Kit)			
93	J96080-0600	Secondary Seal Trim Kit	EPDM		2
	J96080-0602	Secondary Seal Trim Kit	Viton		2
94	JX5240-004	Drive Plate - Mechanical Seal Secondary			2
95	J96080-0603	Seal Housing Kit			2
Kit	J54499-0030	Double Mechanical Seal Conversion Kit			1

PUMP SERIES LH40

Single O-Ring Seal

Item	Part nr.	Description	Material	Used	Quantity/ pump
96	J54453-0000	Seal Sleeve		LH4	2
97	J54452-0000	Seal Housing			2
98	J54454-0000	Retaining Nut			2
99	J92000-6033	O-Ring - Rotor	Nitrile		2
100	J92000-6053	O-Ring - Primary Seal	Viton		2
101	J92000-6045	O-Ring - Seal Housing	Nitrile		2
Kit	J54451-0000	Single O-Ring Seal Kit			1
	J54499-0040	Single O-Ring Maintenance Seal Kit	Nitrile		1
	J54499-0041	Single O-Ring Maintenance Seal Kit	EPDM		1
	J54499-0042	Single O-Ring Maintenance Seal Kit	Viton		1
	J54499-0043	Single O-Ring Maintenance Seal Kit	PTFE		1

PUMP SERIES LH40

Double O-Ring Seal

Item	Part nr.	Description	Material	Used	Quantity/ pump
99	J92000-6033	O-Ring - Rotor	Nitrile	LH40	2
100	J92000-6053	O-Ring - Primary Seal	Viton		4
102	J54437-0000	Seal Sleeve			2
103	J54438-0000	Seal Housing			2
104	J92000-6037	O-Ring Housing	Nitrile		4
105	J92000-6036	O-Ring Flush Housing			2
*106	J54432-0000	Housing - Flush			2
107	JX3001-211F	Bolt Flush Housing			4
Kit	J54436-0000	Double O-Ring Seal Service Kit			1
	J54499-0050	Double O-Ring Maintenance Seal Kit	Nitrile		1

PUMP SERIES LH40

Double O-Ring Seal

Item	Part nr.	Description	Material	Used	Quantity/ pump
	J54499-0051	Double O-Ring Maintenance Seal Kit	EPDM		1
	J54499-0052	Double O-Ring Maintenance Seal Kit	Viton		1
	J54499-0053	Double O-Ring Maintenance Seal Kit	PTFE		1

PUMP SERIES LH40

Relief valve

Item	Part nr.	Description	Material	Used	Quantity/ pump
125	J54409-0001	End Cover		LH40	1
126	JX4020-374X	O-Ring - Relief Valve	Nitrile		1
	JX4020-374E	O-Ring - Relief Valve	PTFE		1
	JX4020-374B	O-Ring - Relief Valve	Viton		1
128	J24072-0001	Seat - Relief valve			1
129	J54073-0020	Diaphragm - Relief Valve	Nitrile		1
	J24073-0010	Diaphragm - Relief Valve	PTFE		1
131	J24074-0000	Plunger			1
132	J24075-0000	Spring - Relief Valve			1
133	J24076-0000	Housing			1
134	J24077-0000	Valve Guide			1
135	J24078-0000	Adjusting Screw			1
136	JX3001-213F	Bolt - Relief Valve			2
Kit	J54481-0001B	Relief Valve Kit (includes components above)			1

PUMP SERIES LH40

Thermal jacket

Item	Part nr.	Description	Material	Used	Quantity/ pump
138	J54409-0003	End Cover		LH40	1
139	J54401-0001	Jacket			2
140	JX4020-357B	O-Ring			2
141	JX3001-213F	Screws			4
Kit	J54480-0003B	Pump Head Jacket Kit (Includes components above)			1
143	J54409-0004	End Cover			1
144	J55379-0000	Jacket			1
145	JX4020-384B	O-Ring - Outer			1
146	JX4020-112B	O-Ring - Inner			1
147	JX3007-217F	Screws			1
Kit	J54480-0004B	End Cover Jacket Kit (Includes components above)			1
	J54480-0009B	Relief Valve with Thermal Jacket - End Cover			1

PUMP SERIES LH40

Tool

Item	Part nr.	Description	Material	Used	Quantity/ pump
180	J55027-0004	Tool - Rotor Locking Pad		LH40	1
181	J54576-0000	Socket Tool - Rotor Retainer			1
182	J54677-0000	Tool - Seal Seat Removal			1

PUMP SERIES LH50

Gearbox & Bearing Housing

Item	Part nr.	Description	Material	Used	Quantity/ pump
1	J54505-0000	Bearing carrier Housing	AL	LH50	1
2	JSP7040-0013	Eye Bolt			1
3	JX5268-002	Washer - Eye Bolt			1
4	J92601-0483	Bearing Rear			2
5	J92601-0483	Bearing Front			2
6	J54508-0001	Timing Gear Set (2 gears per set)			1
7	J92601-0485	Tab Washer - Gear Nut			2
8a	J92601-0484	Gear Nut			2
9	J54507-0001	Gasket Gear Cover			1
10	JSP3100-0225	Roll Pin - Bearing Carrier Housing			2
11	J54506-0100	Gear Cover	AL		1
12	J24020-0002	Plug - Oil Filler/Breather			1
13	JSP8022-2248	Oil Level Window			1
14	JSP2650-0220	Drain Plug			1
15	J23005-1820	Label - Hy-Line			1
16	J23005-1822	Label - Rotary Lobe Pump			1
18	JX3000-223F	Screw - Gear Cover			2
19	JSP1613-1390	Washer (Nylon) - Gear Cover			2
20	JX5280-011	Lip Seal - Rear Gear Cover			2
21	JX3007-182F	Screws - Foot Mounting			4
22	J54518-0100	Foot - Horizontal Ports	AL		2
	J54519-0000	Foot - Vertical Ports	SS		2
23	J92701-1028	Lip Seal - Front Bearing Carrier Housing			2
24	J54527-0000	Shaft - Driving		LH52	1
	J54547-0000	Shaft - Driving		LH54	1
25	J54528-0000	Shaft - Driven		LH52	1
	J54548-0000	Shaft - Driven		LH54	1
28	JX4000-503A	Key - Timing Gear Drive		LH50	2
29	JX4000-528A	Key - Drive Shaft			1
30	J54586-0000B	Shim Kit - Rotor Clearance			1
31	J92000-1427	O-Ring - Shim Retention	Nitrile		2
Kit	J54585-0000B	Gearbox Service Kit			1

PUMP SERIES LH50

Rotor case & Rotor

Item	Part nr.	Description	Material	Used	Quantity/ pump
51		Rotor Case *		LH50	1
52	JX3007-222F	Screw - Rotor Case		LH52	4
	JX3007-227F	Screw - Rotor Case		LH54	4
56	J54522-0009B	High Pressure - Standard Machined	SS316	LH52	1
	J54542-0009B	High Pressure - Standard Machined	SS316	LH54	1
	J54522-0099B	High Pressure - EP	SS316	LH52	1

PUMP SERIES LH50

Rotor case & Rotor

Item	Part nr.	Description	Material	Used	Quantity/ pump
	J54542-0099B	High Pressure - EP	SS316	LH54	1
	J54522-0019B	High Pressure - MP & EP	SS316	LH52	1
	J54542-0019B	High Pressure - MP & EP	SS316	LH54	1
	J54522-0008B	High Efficiency - Standard Machined	SS316	LH52	1
	J56522-0098B	High Efficiency - EP	SS316		1
	J56522-0018B	High Efficiency - MP & EP	SS316		1
	J54522-L-0009B	High Pressure - Standard Machined	SS316L		1
	J54542-L-0009B	High Pressure - Standard Machined	SS316L	LH54	1
	J54522-L-0099B	High Pressure - EP	SS316L	LH52	1
	J54542-L-0099B	High Pressure - EP	SS316L	LH54	1
	J54522-L-0019B	High Pressure - MP & EP	SS316L	LH52	1
	J54542-L-0019B	High Pressure - MP & EP	SS316L	LH54	1
	J54522-L-0008B	High Efficiency - Standard Machined	SS316L	LH52	1
	J54522-L-0098B	High Efficiency - EP	SS316L		1
	J54522-L-0018B	High Efficiency - MP & EP	SS316L		1
58	J92000-1425	O-Ring - Rotor Retainer	Nitrile	LH50	2
	J92000-1449	O-Ring - Rotor Retainer	EPDM		2
	J92000-1447	O-Ring - Rotor Retainer	Viton		2
	J92000-1448	O-Ring - Rotor Retainer	PTFE		2
59	J54525-0000	Rotor Retaining Screw			2
60	J54530-0000	Shaft Guard (Not Shown on Exploded View)			6
61	J54529-0000	Shaft Guard Stud (Not Shown on Exploded View)			2
62	JX3070-061F	Shaft Guard Nut (Not Shown on Exploded View)			2
120	J92000-1424	O-Ring - End Cover	Nitrile		2
	J92000-1433	O-Ring - End Cover	EPDM		2
	J92000-1432	O-Ring - End Cover	Viton		1
	J92000-6018	O-Ring - End Cover	PTFE		1
122	J54509-0000	"End Cover-Plain O-Ring Joint 316SS, Standard Machined Finish"			1
	J54509-0090	"End Cover-Plain O-Ring Joint 316SS, Electro-Polish Finish"			1
	J54509-0010	"End Cover-Plain O-Ring Joint 316SS, 0.5 Micron & EP Finish"			1
	J56509-0000	End Cover-Controlled Compression Joint (Gasket), STD Machined Finish			1
	J56509-0090	End Cover-Controlled Compression Joint (Gasket), Electro- Polish Finish			1
	J56509-0010	End Cover-Controlled Compression Joint (Gasket), 0.5 Micron & EP Finish			1
123	JX3001-211F	Bolt - End Cover			8
51		For Bolt on Ports (All Mech Seals)			
	J54523-0000	Standard Machined Finish		LH52	1
	J54543-0000	Standard Machined Finish		LH54	1
	J54523-0090	Electro-Polish Finish		LH52	1
	J54543-0090	Electro-Polish Finish		LH54	1
	J54523-0010	0.5 Micron & Electro-Polish Finish		LH52	1
	J54543-0010	0.5 Micron & Electro-Polish Finish		LH54	1

PUMP SERIES LH50

Rotor case & Rotor

Item	Part nr.	Description	Material	Used	Quantity/ pump
For Bolt on Ports + Double O-Ring Seal					
	J54523-0002	Standard Machined Finish		LH52	1
	J54523-0002	Standard Machined Finish		LH54	1
	J54523-0092	Electro-Polish Finish		LH52	1
	J54543-0092	Electro-Polish Finish		LH54	1
	J54523-0012	0.5 Micron & Electro-Polish Finish		LH52	1
	J54543-0012	0.5 Micron & Electro-Polish Finish		LH54	1
For Bolt on Ports + Hopper Inlet (All mech seals)					
	J54523-0001	Standard Machined Finish		LH52	1
	J54543-0001	Standard Machined Finish		LH54	1
	J54523-0091	Electro-Polish Finish		LH52	1
	J54543-0091	Electro-Polish Finish		LH54	1
	J54523-0011	0.5 Micron & Electro-Polish Finish		LH52	1
	J54543-0011	0.5 Micron & Electro-Polish Finish		LH54	1
For Bolt on Ports + Hopper Inlet + Double O-Ring Seal					
	J54523-0003	Standard Machined Finish		LH52	1
	J54523-0003	Standard Machined Finish		LH54	1
	J54523-0093	Electro-Polish Finish		LH52	1
	J54543-0093	Electro-Polish Finish		LH54	1
	J54523-0013	0.5 Micron & Electro-Polish Finish		LH52	1
	J54543-0013	0.5 Micron & Electro-Polish Finish		LH54	1
For Welded Tri Clamp Ports					
	J56523-1000	Standard Machined Finish		LH52	1
	J56543-1000	Standard Machined Finish		LH54	1
	J56523-1090	Electro-Polish Finish		LH52	1
	J56543-1090	Electro-Polish Finish		LH54	1
	J56523-1010	0.5 Micron & Electro-Polish Finish		LH52	1
	J56543-1010	0.5 Micron & Electro-Polish Finish		LH54	1

PUMP SERIES LH50

Ports

Item	Part nr.	Description	Material	Used	Quantity/ pump
53	J54058-0150	Port Joint Ring	Nitrile	LH52	2
	J54058-0200	Port Joint Ring	Nitrile	LH54	2
	J24058-0157	Port Joint Ring	EPDM	LH52	2
	J24058-0207	Port Joint Ring	EPDM	LH54	2
	J54058-0154	Port Joint Ring	Viton	LH52	2
	J54058-0204	Port Joint Ring	Viton	LH54	2
	J24058-0152	Port Joint Ring	PTFE	LH52	2
	J24058-0202	Port Joint Ring	PTFE	LH54	2

PUMP SERIES LH50

Ports

Item	Part nr.	Description	Material	Used	Quantity/ pump
54	J24055-1150B	Tri-Clamp (BS4825 part 3)-Standard		LH52	1
	J24055-1200B	Tri-Clamp (BS4825 part 3)-Standard		LH54	1
	J24255-1200B	Tri-Clamp (BS4825 part 3)-Enlarged		LH52	1
	J24255-1300B	Tri-Clamp (BS4825 part 3)-Enlarged		LH54	1
	J24055-2150B	BSP (BS2779) - Standard		LH52	1
	J24055-2200B	BSP (BS2779) - Standard		LH54	1
	J24255-2200B	BSP (BS2779) - Enlarged		LH52	1
	J24255-2300B	BSP (BS2779) - Enlarged		LH54	1
	J24055-3150B	IDF (ISO 2853) - Standard		LH52	1
	J24055-3200B	IDF (ISO 2853) - Standard		LH54	1
	J24255-3200B	IDF (ISO 2853) - Enlarged		LH52	1
	J24255-3300B	IDF (ISO 2853) - Enlarged		LH54	1
	J24055-4150B	RJT (BS1864) - Standard		LH52	1
	J24055-4200B	RJT (BS1864) - Standard		LH54	1
	J24255-4200B	RJT (BS1864) - Enlarged		LH52	1
	J24255-4300B	RJT (BS1864) - Enlarged		LH54	1
	J24055-5150B	3A ACME (BS3581) - Standard		LH52	1
	J24055-5200B	3A ACME (BS3581) - Standard		LH54	1
	J24255-5200B	3A ACME (BS3581) - Enlarged		LH52	1
	J24255-5300B	3A ACME (BS3581) - Enlarged		LH54	1
	J24055-6150B	DIN 11851 - Standard		LH52	1
	J24055-6200B	DIN 11851 - Standard		LH54	1
	J24255-6200B	DIN 11851 - Enlarged		LH52	1
	J24255-6300B	DIN 11851 - Enlarged		LH54	1
	J24055-7150B	SMS 1146 - Standard		LH52	1
	J24055-7200B	SMS 1146 - Standard		LH54	1
	J24255-7200B	SMS 1146 - Enlarged		LH52	1
	J24255-7300B	SMS 1146 - Enlarged		LH54	1
	J24055-9150B	NPT - Standard		LH52	1
	J24055-9200B	NPT - Standard		LH54	1
	J24255-9200B	NPT - Enlarged		LH52	1
	J24255-9300B	NPT - Enlarged		LH54	1
55	JX3001-207F	Screw - Bolt on Port Retainers		LH50	8

PUMP SERIES LH50

Single mechanical seal

Item	Part nr.	Description	Material	Used	Quantity/ pump
80	J96080-0594	Primary Seal Face Kit (Includes both faces)	C/SS	LH50	2
	J96080-0583	Primary Seal Face Kit (Includes both faces)	C/SiC		2
	J96080-0584	Primary Seal Face Kit (Includes both faces)	SiC/SiC		2
81	JX5240-003	Drive Plate, Mechanical Seal			2
82	JX5250-016	Wave Spring			2

PUMP SERIES LH50

Single mechanical seal

Item	Part nr.	Description	Material	Used	Quantity/ pump
83	J96080-0613	Single Seal Trim Kit	Nitrile		2
	J96080-0586	Single Seal Trim Kit	EPDM		2
	J96080-0587	Single Seal Trim Kit	Viton		2
	USE 83A, 83B & 83C	Single Seal Trim Kit	PTFE		2
83a	J54020-0005	Washer under Seal Rotary Face (fitted to rotor)	Viton		2
83b	J54511-0000	Sleeve (fitted to rotor)	PTFE		2
83c	J92000-6017	Encapsulated O-Ring	PTFE encap		2
84	J56011-0000	Clamp Plate - Seal Housing			4
85	JX3001-209F	Screw - Seal Housing			4
86	J96080-0588	Seal Housing Kit (Includes wave spring)			2
Kit	J54584-9150B	Pump Head Trim Kit	Nitrile	LH52	1
	J54584-9200B	Pump Head Trim Kit	Nitrile	LH54	1
	J54584-9157B	Pump Head Trim Kit	EPDM	LH52	1
	J54584-9207B	Pump Head Trim Kit	EPDM	LH54	1
	J54584-9154B	Pump Head Trim Kit	Viton	LH52	1
	J54584-9204B	Pump Head Trim Kit	Viton	LH54	1
	J54584-9152B	Pump Head Trim Kit	PTFE	LH52	1
	J54584-9202B	Pump Head Trim Kit	PTFE	LH54	1
	J54599-0001	Seal Service Kit, C/SS	Nitrile	LH52	1
	J54599-0003	Seal Service Kit, C/SS	EPDM		1
	J54599-0005	Seal Service Kit, C/SS	Viton		1
	J54599-0007	Seal Service Kit, C/SS	PTFE		1
	J54599-0009	Seal Service Kit, C/SiC	Nitrile		1
	J54599-0011	Seal Service Kit, C/SiC	EPDM		1
	J54599-0013	Seal Service Kit, C/SiC	Viton		1
	J54599-0015	Seal Service Kit, C/SiC	PTFE		1
	J54599-0017	Seal Service Kit, SiC/SiC	Nitrile		1
	J54599-0019	Seal Service Kit, SiC/SiC	EPDM		1
	J54599-0021	Seal Service Kit, SiC/SiC	Viton		1
	J54599-0023	Seal Service Kit, SiC/SiC	PTFE		1
	J54599-0002	Seal Service Kit, C/SS	Nitrile	LH54	1
	J54599-0004	Seal Service Kit, C/SS	EPDM		1
	J54599-0006	Seal Service Kit, C/SS	Viton		1
	J54599-0008	Seal Service Kit, C/SS	PTFE		1
	J54599-0010	Seal Service Kit, C/SiC	Nitrile		1
	J54599-0012	Seal Service Kit, C/SiC	EPDM		1
	J54599-0014	Seal Service Kit, C/SiC	Viton		1
	J54599-0016	Seal Service Kit, C/SiC	PTFE		1
	J54599-0018	Seal Service Kit, SiC/SiC	Nitrile		1
	J54599-0020	Seal Service Kit, SiC/SiC	EPDM		1
	J54599-0022	Seal Service Kit, SiC/SiC	Viton		1
	J54599-0024	Seal Service Kit, SiC/SiC	PTFE		1

PUMP SERIES LH50

Flush for single mechanical seal

Item	Part nr.	Description	Material	Used	Quantity/ pump
89	J96080-0590	Seal Housing Kit		LH50	2
89a		Washer (Part of Seal Housing Kit)			
90	J92701-1023	Lip Seal - Seal Housing	Nitrile		2
91	J92000-1453	O-Ring - Seal Housing	Nitrile		2
Kit	J54599-0025	Flushed Seal Conversion Kit	Nitrile		1

PUMP SERIES LH50

Double mechanical seal Conversion Kit

Item	Part nr.	Description	Material	Used	Quantity/ pump
92	J96080-0585	Secondary Seal Face Kit	C/SiC	LH50	2
92a		Rubber Washer	EPDM		2
92b		Drive Ring			2
93	J96080-0592	Secondary Seal Trim Kit	EPDM		2
	J96080-0593	Secondary Seal Trim Kit	Viton		2
94	JX5240-003	Drive Plate - Mechanical Seal Secondary			2
95	J96080-0589	Seal Housing Kit			2
Kit	J54599-0030	Double Mechanical Seal Conversion Kit			1

PUMP SERIES LH50

Single O-Ring Seal

Item	Part nr.	Description	Material	Used	Quantity/ pump
96	J54553-0000	Seal Sleeve		LH50	2
97	J54552-0000	Seal Housing			2
98	J54554-0000	Retaining Nut			2
99	J92000-6032	O-Ring - Rotor	Nitrile		2
100	J92000-6052	O-Ring - Primary Seal	Viton		2
101	J92000-6043	O-Ring - Seal Housing	Nitrile		2
Kit	J54551-0000	Single O-Ring Seal Kit			1
	J54599-0040	Single O-Ring Maintenance Seal Kit	Nitrile		1
	J54599-0041	Single O-Ring Maintenance Seal Kit	EPDM		1
	J54599-0042	Single O-Ring Maintenance Seal Kit	Viton		1
	J54599-0043	Single O-Ring Maintenance Seal Kit	PTFE		1

PUMP SERIES LH50

Double O-Ring Seal

Item	Part nr.	Description	Material	Used	Quantity/ pump
99	J92000-6032	O-Ring - Rotor	Nitrile	LH50	2
100	J92000-6052	O-Ring - Primary Seal	Viton		4
102	J54537-0000	Seal Sleeve			2
103	J54538-0000	Seal Housing			2
104	J92000-6036	O-Ring Housing	Nitrile		4
105	J92000-6012	O-Ring Flush Housing			2
*106	J54532-0000	Housing - Flush			2
107	JX3001-211F	Bolt Flush Housing			4
Kit	J54536-0000	Double O-Ring Seal Kit			1
	J54599-0050	Double O-Ring Maintenance Seal Kit	Nitrile		1
	J54599-0051	Double O-Ring Maintenance Seal Kit	EPDM		1
	J54599-0052	Double O-Ring Maintenance Seal Kit	Viton		1
	J54599-0053	Double O-Ring Maintenance Seal Kit	PTFE		1

PUMP SERIES LH50

Relief valve

Item	Part nr.	Description	Material	Used	Quantity/ pump
125	J54509-0001	End Cover		LH50	1
126	JX4020-389X	O-Ring - Relief Valve	Nitrile		1
	JX4020-389E	O-Ring - Relief Valve	PTFE		1
	JX4020-389Y	O-Ring - Relief Valve	Viton		1
128	J24172-0001	Seat - Relief valve			1
129	J54073-0021	Diaphragm - Relief Valve	Nitrile		1
	J24073-0011	Diaphragm - Relief Valve	PTFE		1
131	J24174-0000	Plunger			1
132	J24175-0000	Spring - Relief Valve			1
133	J24176-0000	Housing			1
134	J24177-0000	Valve Guide			1
135	J24178-0000	Adjusting Screw			1
136	JX3001-215F	Bolt - Relief Valve			2
Kit	J54581-0001B	Relief Valve Kit (includes components above)			1

PUMP SERIES LH50

Thermal jacket

Item	Part nr.	Description	Material	Used	Quantity/ pump
138	J54509-0003	End Cover		LH50	1
139	J54501-0001	Jacket			2
140	JX4020-369B	O-Ring			2
141	JX3001-213F	Screws			4
Kit	J54580-0003B	Pump Head Jacket Kit (Includes components above)			1
143	J54509-0004	End Cover			1
144	J24636-0000	Jacket			1
145	JX4020-389B	O-Ring - Outer			1
147	JX3001-209F	Screws			2
Kit	J54580-0004B	End Cover Jacket Kit (Includes components above)			1
	J54580-0009B	Relief Valve with Thermal Jacket - End Cover			1

PUMP SERIES LH50

Tool

Item	Part nr.	Description	Material	Used	Quantity/ pump
180	J55027-0004	Tool - Rotor Locking Pad		LH50	1
181	J54576-0000	Socket Tool - Rotor Retainer			1
182	J54677-0000	Tool - Seal Seat Removal			1

PUMP SERIES LH60

Gearbox & Bearing Housing

Item	Part nr.	Description	Material	Used	Quantity/ pump
1	J54605-0000	Bearing carrier Housing - Aluminium	AL	LH60	1
2	JSP7040-0011	Eye Bolt			1
3	JX5268-002	Washer - Eye Bolt			1
4	J92601-0473	Bearing Rear			2
5	JSP2601-0502	Bearing Front			2
6	J55608-0001	Timing Gear Set (2 gears per set)			1
7	J98022-2351	Tab Washer - Gear Nut			2
8a	J98022-2350	Gear Nut			2
9	J55607-0001	Gasket Gear Cover			1
10	JSP3100-0225	Roll Pin - Bearing Carrier Housing			2
11	J54606-0000	Gear Cover	AL		1
12	J24020-0002	Plug - Oil Filler/Breather			1
13	JSP8022-2248	Oil Level Window			1
14	JSP2650-0220	Drain Plug			1
15	J23005-1820	Label - Hy-Line			1
16	J23005-1822	Label - Rotary Lobe Pump			1
18	JX3001-227F	Screw - Gear Cover			2
19	JSP1613-1390	Washer (Nylon) - Gear Cover			2
20	JSP2701-0904	Lip Seal - Rear Gear Cover			2
21	JX3007-213F	Screws - Foot Mounting			4
22	J54619-0000	Foot - Vertical Ports	SS		2
23	J92701-1026	Lip Seal - Front Bearing Carrier Housing			2
24	J54627-0000	Shaft - Driving		LH62	1
	J54647-0000	Shaft - Driving		LH64	1
25	J54628-0000	Shaft - Driven		LH62	1
	J54648-0000	Shaft - Driven		LH64	1
28	JX4000-544A	Key - Timing Gear Drive		LH60	2
29	JX4000-549A	Key - Drive Shaft			1
30	J54686-0000B	Shim Kit - Rotor Clearance			1
31	JX1990-96	O-Ring - Shim Retention - Nitrile			2
*Kit	J54685-0000B	Gearbox Service Kit			1

PUMP SERIES LH60

Rotor case & Rotor

Item	Part nr.	Description	Material	Used	Quantity/ pump
51		Rotor Case with welded ports *		LH60	1
52	JX3007-260F	Screw - Rotor Case		LH62	4
		Screw - Rotor Case		LH64	4
56	J92000-1431	Rotor Kit (Includes rotor x 2) *		LH60	1
58	JX5251-011	O-Ring - Rotor Retainer	Nitrile		2
	J92000-1445	O-Ring - Rotor Retainer	EPDM		2
	J92000-1446	O-Ring - Rotor Retainer	Viton		2

PUMP SERIES LH60

Rotor case & Rotor

Item	Part nr.	Description	Material	Used	Quantity/ pump
	J54626-0000	O-Ring - Rotor Retainer	PTFE		2
59	J24068-0002	Rotor Retaining Screw			2
60	J24069-0003	Shaft Guard (Not Shown on Exploded View)			6
61	JX3070-061F	Shaft Guard Stud (Not Shown on Exploded View)			2
62	J92000-1443	Shaft Guard Nut (Not Shown on Exploded View)			2
120	J92000-1437	O-Ring - End Cover	Nitrile		2
	J92000-1436	O-Ring - End Cover	EPDM		2
	J92000-6028	O-Ring - End Cover	Viton		1
	J54609-0000	O-Ring - End Cover	PTFE		1
122	J54609-0090	"End Cover-Plain O-Ring Joint 316SS, Standard Machined Finish"			1
	J54609-0010	"End Cover-Plain O-Ring Joint 316SS, Electro-Polish Finish"			1
	J55609-0000	"End Cover-Plain O-Ring Joint 316SS, 0.5 Micron & EP Finish"			1
	J55609-0090	End Cover-Controlled Compression Joint (Gasket), STD Machined Finish			1
	J55609-0010	End Cover-Controlled Compression Joint (Gasket), Electro- Polish Finish			1
51	J54623-0000	For Bolt on Ports (All Mech Seals)	STD machined 62		1
	J54623-0090	For Bolt on Ports (All Mech Seals)	EP finished 62		1
	J54623-0010	For Bolt on Ports (All Mech Seals)	0.5µ & EP finished 62		1
	J54643-0000	For Bolt on Ports (All Mech Seals)	STD machined 64		1
	J54643-0090	For Bolt on Ports (All Mech Seals)	EP finished 64		1
	J54643-0010	For Bolt on Ports (All Mech Seals)	0.5µ & EP finished 64		1
	J54623-0002	For Bolt on Ports + Double O-Ring Seal	STD machined 62		1
	J54623-0092	For Bolt on Ports + Double O-Ring Seal	EP finished 62		1
	J54623-0012	For Bolt on Ports + Double O-Ring Seal	0.5µ & EP finished 62		1
	J54643-0002	For Bolt on Ports + Double O-Ring Seal	STD machined 64		1
	J54643-0092	For Bolt on Ports + Double O-Ring Seal	EP finished 64		1
	J54643-0012	For Bolt on Ports + Double O-Ring Seal	0.5µ & EP finished 64		1
	J54623-0001	For Bolt on Ports + Hopper Inlet (All mech seals)	STD machined 62		1
	J54623-0091	For Bolt on Ports + Hopper Inlet (All mech seals)	EP finished 62		1
	J54623-0011	For Bolt on Ports + Hopper Inlet (All mech seals)	0.5µ & EP finished 62		1
	J54643-0001	For Bolt on Ports + Hopper Inlet (All mech seals)	STD machined 64		1
	J54643-0091	For Bolt on Ports + Hopper Inlet (All mech seals)	EP finished 64		1
	J54643-0011	For Bolt on Ports + Hopper Inlet (All mech seals)	0.5µ & EP finished 64		1
	J54623-0003	For Bolt on Ports + Hopper Inlet + Double O-Ring Seal	STD machined 62		1
	J54623-0093	For Bolt on Ports + Hopper Inlet + Double O-Ring Seal	EP finished 62		1
	J54623-0013	For Bolt on Ports + Hopper Inlet + Double O-Ring Seal	0.5µ & EP finished 62		1
	J54643-0003	For Bolt on Ports + Hopper Inlet + Double O-Ring Seal	STD machined 64		1
	J54643-0093	For Bolt on Ports + Hopper Inlet + Double O-Ring Seal	EP finished 64		1
	J54643-0013	For Bolt on Ports + Hopper Inlet + Double O-Ring Seal	0.5µ & EP finished 64		1
	J56623-1000	For Welded Tri Clamp Ports	STD machined 62		1
	J56623-1090	For Welded Tri Clamp Ports	EP finished 62		1
	J56623-1010	For Welded Tri Clamp Ports	0.5µ & EP finished 62		1
	J56643-1000	For Welded Tri Clamp Ports	STD machined 64		1
	J56643-1090	For Welded Tri Clamp Ports	EP finished 64		1
	J56643-1010	For Welded Tri Clamp Ports	0.5µ & EP finished 64		1

PUMP SERIES LH60

Rotor case & Rotor

Item	Part nr.	Description	Material	Used	Quantity/ pump
56	J54622-0009B	High Pressure-Standard Machined	SS316	LH62	1
	J54622-0099B	High Pressure-Electro Polish	SS316		1
	J54662-0019B	High Pressure-0.5µ & Electro Polish	SS316		1
	J54622-L-0009B	High Pressure-Standard Machined	SS316L		1
	J54622-L-0099B	High Pressure-Electro Polish	SS316L		1
	J54662-L-0019B	High Pressure-0.5µ & Electro Polish	SS316L		1
	J54642-0009B	High Pressure-Standard Machined	SS316	LH64	1
	J54642-0099B	High Pressure-Electro Polish	SS316		1
	J54642-0019B	High Pressure-0.5µ & Electro Polish	SS316		1
	J54642-L-0009B	High Pressure-Standard Machined	SS316L		1
	J54642-L-0099B	High Pressure-Electro Polish	SS316L		1
	J54642-L-0019B	High Pressure-0.5µ & Electro Polish	SS316L		1
	J54622-0008B	High Efficiency-Standard Machined	SS316	LH62	1
	J56622-0098B	High Efficiency-Electro Polish	SS316		1
	J54622-0018B	High Efficiency-0.5µ & Electro Polish	SS316		1
	J54622-L-0008B	High Efficiency-Standard Machined	SS316L		1
	J54622-L-0098B	High Efficiency-Electro Polish	SS316L		1
	J54662-L0018B	High Efficiency-0.5µ & Electro Polish	SS316L		1

PUMP SERIES LH60

Ports

Item	Part nr.	Description	Material	Used	Quantity/ pump	
53	J54058-0250	Port Joint Ring	Nitrile	LH62	2	
	J54058-0257	Port Joint Ring	EPDM		2	
	J54058-0254	Port Joint Ring	Viton		2	
	J54058-0252	Port Joint Ring	PTFE		2	
	J54058-0300	Port Joint Ring	Nitrile	LH64	2	
	J24058-0307	Port Joint Ring	EPDM		2	
	J54058-0304	Port Joint Ring	Viton		2	
	J24058-0302	Port Joint Ring	PTFE		2	
	54	J54056-1250B	Tri - Clamp (BS4825 part 3) - Standard		LH62	1
		J24055-1300B	Tri - Clamp (BS4825 part 3) - Standard		LH64	1
J54256-1300B		Tri - Clamp (BS4825 part 3) - Enlarged		LH62	1	
J24255-1400B		Tri - Clamp (BS4825 part 3) - Enlarged		LH64	1	
J54156-1200B		Tri - Clamp (BS4825 part 3) - Reduced		LH62	1	
J54056-2250B		BSP (BS2779) - Standard			1	
J24055-2300B		BSP (BS2779) - Standard		LH64	1	
J54256-2300B		BSP (BS2779) - Enlarged		LH62	1	
J24255-2400B		BSP (BS2779) - Enlarged		LH64	1	
J54156-2200B		BSP (BS2779) - Reduced		LH62	1	
J54056-3250B		IDF (ISO 2853) - Standard		LH62	1	
J24055-3300B		IDF (ISO 2853) - Standard		LH64	1	

PUMP SERIES LH60

Ports

Item	Part nr.	Description	Material	Used	Quantity/ pump
	J54256-3300B	IDF (ISO 2853) - Enlarged		LH62	1
	J24255-3400B	IDF (ISO 2853) - Enlarged		LH64	1
	J54156-3200B	IDF (ISO 2853) - Reduced		LH62	1
	J54056-4250B	RJT (BS1864) - Standard		LH62	1
	J24055-4300B	RJT (BS1864) - Standard		LH64	1
	J54256-4300B	RJT (BS1864) - Enlarged		LH62	1
	J24255-4400B	RJT (BS1864) - Enlarged		LH64	1
	J54156-4200B	RJT (BS1864) - Reduced		LH62	1
	J54056-5250B	3A ACME (BS3581) - Standard		LH62	1
	J24055-5300B	3A ACME (BS3581) - Standard		LH64	1
	J54256-5300B	3A ACME (BS3581) - Enlarged		LH62	1
	J24255-5400B	3A ACME (BS3581) - Enlarged		LH64	1
	J54156-5200B	3A ACME (BS3581) - Reduced		LH62	1
	J54056-6250B	DIN 11851 - Standard			1
	J24055-6300B	DIN 11851 - Standard		LH64	1
	J54256-6300B	DIN 11851 - Enlarged		LH62	1
	J24255-6400B	DIN 11851 - Enlarged		LH64	1
	J54156-6200B	DIN 11851 - Reduced		LH62	1
	J54056-7250B	SMS 1146 - Standard			1
	J24055-7300B	SMS 1146 - Standard		LH64	1
	J54256-7300B	SMS 1146 - Enlarged		LH62	1
	J24255-7400B	SMS 1146 - Enlarged		LH64	1
	J54156-7200B	SMS 1146 - Reduced		LH62	1
	J54056-9250B	NPT - Standard			1
	J24055-9300B	NPT - Standard		LH64	1
	J54256-9300B	NPT - Enlarged		LH62	1
	J24255-9400B	NPT - Enlarged		LH64	1
	J54156-9200B	NPT - Reduced		LH62	1
55	JX3001-244F	NPT - Reduced		LH60	8

PUMP SERIES LH60

Single mechanical seal

Item	Part nr.	Description	Material	Used	Quantity/ pump
80	J96080-0608	Primary Seal Face Kit (Includes both faces)	C/SS	LH60	2
	J96080-0570	Primary Seal Face Kit (Includes both faces)	C/SiC		2
	J96080-0571	Primary Seal Face Kit (Includes both faces)	SiC/SiC		2
81	JX5240-002	Drive Plate, Mechanical Seal			2
82	JX5250-015	Wave Spring			2
83	J96080-0611	Single Seal Trim Kit	Nitrile		2
	J96080-0572	Single Seal Trim Kit	EPDM		2
	J96080-0578	Single Seal Trim Kit	Viton		2

PUMP SERIES LH60

Single mechanical seal

Item	Part nr.	Description	Material	Used	Quantity/ pump
	USE 83A, 83B & 83C	Single Seal Trim Kit	PTFE		2
83a	J54020-0006	Washer under Seal Rotary Face (fitted to rotor)	Viton		2
83b	J54613-0000	Sleeve (fitted to rotor)	PTFE		2
83c	J92000-6025	Encapsulated O-Ring	PTFE encap		2
84	J56011-0000	Clamp Plate - Seal Housing			4
85	JX3001-209F	Screw - Seal Housing			4
86	J96080-0573	Seal Housing Kit (Includes wave spring)			2
Kit	J54684-9250B	Pump Head Trim Kit	Nitrile	LH62	1
	J54684-9257B	Pump Head Trim Kit	EPDM		1
	J54684-9254B	Pump Head Trim Kit	Viton		1
	J54684-9252B	Pump Head Trim Kit	PTFE		1
	J54684-9300B	Pump Head Trim Kit	Nitrile	LH64	1
	J54684-9307B	Pump Head Trim Kit	EPDM		1
	J54684-9304B	Pump Head Trim Kit	Viton		1
	J54684-9302	Pump Head Trim Kit	PTFE		1
	J54699-0001	Seal Service Kit, C/SS	Nitrile	LH62	1
	J54699-0003	Seal Service Kit, C/SS	EPDM		1
	J54699-0005	Seal Service Kit, C/SS	Viton		1
	J54699-0007	Seal Service Kit, C/SS	PTFE		1
	J54699-0009	Seal Service Kit, C/SiC	Nitrile		1
	J54699-0011	Seal Service Kit, C/SiC	EPDM		1
	J54699-0013	Seal Service Kit, C/SiC	Viton		1
	J54699-0015	Seal Service Kit, C/SiC	PTFE		1
	J54699-0017	Seal Service Kit, SiC/SiC	Nitrile		1
	J54699-0019	Seal Service Kit, SiC/SiC	EPDM		1
	J54699-0021	Seal Service Kit, SiC/SiC	Viton		1
	J54699-0023	Seal Service Kit, SiC/SiC	PTFE		1
	J54699-0002	Seal Service Kit, C/SS	Nitrile	LH64	1
	J54699-0004	Seal Service Kit, C/SS	EPDM		1
	J54699-0006	Seal Service Kit, C/SS	Viton		1
	J54699-0008	Seal Service Kit, C/SS	PTFE		1
	J54699-0010	Seal Service Kit, C/SiC	Nitrile		1
	J54699-0012	Seal Service Kit, C/SiC	EPDM		1
	J54699-0014	Seal Service Kit, C/SiC	Viton		1
	J54699-0016	Seal Service Kit, C/SiC	PTFE		1
	J54699-0018	Seal Service Kit, SiC/SiC	Nitrile		1
	J54699-0020	Seal Service Kit, SiC/SiC	EPDM		1
	J54699-0022	Seal Service Kit, SiC/SiC	Viton		1
	J54699-0024	Seal Service Kit, SiC/SiC	PTFE		1

PUMP SERIES LH60

Flush for single mechanical seal

Item	Part nr.	Description	Material	Used	Quantity/ pump
89	J96080-0574	Seal Housing Kit		LH60	2
Supplied as a part of Seal Housing Kit					
89a		Washer			
90	J92701-1022	Lip Seal - Seal Housing	Nitrile		2
91	J92000-1454	O-Ring - Seal Housing	Nitrile		2
Kit	J54699-0025	Flushed Seal Conversion Kit	Nitrile		1

PUMP SERIES LH60

Double mechanical seal Conversion Kit

Item	Part nr.	Description	Material	Used	Quantity/ pump
92	J96080-0576	Secondary Seal Face Kit	C/SiC	LH60	2
Supplied as part of Secondary Seal Face Kit					
92a		Rubber Washer	EPDM		
92b		Drive Ring			
93	J96080-0577	Secondary Seal Trim Kit	EPDM		2
	J96080-0580	Secondary Seal Trim Kit	Viton		2
94	JX5240-002	Drive Plate - Mechanical Seal Secondary			2
95	J96080-0575	Seal Housing Kit			2
Kit	J54699-0030	Double Mechanical Seal Conversion Kit			1

PUMP SERIES LH60

Single O-Ring Seal

Item	Part nr.	Description	Material	Used	Quantity/ pump
96	J54653-0000	Seal Sleeve		LH60	2
97	J54652-0000	Seal Housing			2
98	J54654-0000	Retaining Nut			2
99	J92000-6013	O-Ring - Rotor	Nitrile		2
100	JSP2000-79	O-Ring - Primary Seal	Viton		2
101	J92000-6012	O-Ring - Seal Housing	Nitrile		2
Kit	J54651-0000	Single O-Ring Seal Kit			1
	J54699-0040	Single O-Ring Maintenance Seal Kit	Nitrile		1
	J54699-0041	Single O-Ring Maintenance Seal Kit	EPDM		1
	J54699-0042	Single O-Ring Maintenance Seal Kit	Viton		1
	J54699-0043	Single O-Ring Maintenance Seal Kit	PTFE		1

DOC No

PUMP SERIES LH60

Double O-Ring Seal

Item	Part nr.	Description	Material	Used	Quantity/ pump
99	J92000-6013	O-Ring - Rotor	Nitrile	LH60	2
100	JSP2000-79	O-Ring - Primary Seal	Viton		4
102	J54637-0000	Seal Sleeve			2
103	J54638-0000	Seal Housing			2
104	J92000-6038	O-Ring Housing	Nitrile		4
105	J92000-1454	O-Ring Flush Housing			2
*106	J54632-0000	Housing - Flush			2
107	JX3001-211F	Bolt Flush Housing			4
Kit	J54636-0000	Double O-Ring Seal Kit			1
	J54699-0050	Double O-Ring Maintenance Seal Kit	Nitrile		1
	J54699-0051	Double O-Ring Maintenance Seal Kit	EPDM		1
	J54699-0052	Double O-Ring Maintenance Seal Kit	Viton		1
	J54699-0053	Double O-Ring Maintenance Seal Kit	PTFE		1

PUMP SERIES LH60

Relief valve

Item	Part nr.	Description	Material	Used	Quantity/ pump
125	J54609-0001	End Cover		LH60	1
126	JX4020-424X	O-Ring - Relief Valve	Nitrile		1
	JX4020-424E	O-Ring - Relief Valve	PTFE		1
	JX4020-424B	O-Ring - Relief Valve	Viton		1
128	J24172-0001	Seat - Relief valve			1
129	J54073-0022	Diaphragm - Relief Valve	Nitrile		1
	J24073-0012	Diaphragm - Relief Valve	PTFE		1
131	J24274-0000	Plunger			1
132	J24275-0000	Spring - Relief Valve			1
133	J24276-0000	Housing			1
134	J24277-0000	Valve Guide			1
135	J24278-0000	Adjusting Screw			1
136	JX3001-217F	Bolt - Relief Valve			2
Kit	J54681-0001B	Relief Valve Kit (includes components above)			1

PUMP SERIES LH60

Thermal jacket

Item	Part nr.	Description	Material	Used	Quantity/ pump
138	J54609-0003	End Cover		LH60	1
139	J54601-0001	Jacket			2
140	JX4020-374B	O-Ring			2
141	JX3001-244F	Screws			4
Kit	J54680-0003B	Pump Head Jacket Kit (Includes components above)			1
143	J54609-0004	End Cover			1
144	J54679-0000	Jacket			1
145	JX4020-429B	O-Ring - Outer			1
147	JX3001-211F	Screws			2
Kit	J54680-0004B	End Cover Jacket Kit (Includes components above)			1
		Relief Valve with Thermal Jacket - End Cover			1

PUMP SERIES LH60

Tool

Item	Part nr.	Description	Material	Used	Quantity/ pump
180	J55027-0004	Tool - Rotor Locking Pad		LH60	1
181	J54676-0000	Socket Tool - Rotor Retainer			1
182	J54677-0000	Tool - Seal Seat Removal			1

PUMP SERIES LH70

Gearbox & Bearing Housing

Item	Part nr.	Description	Material	Used	Quantity/ pump
1	J54705-0001	Bearing carrier Housing - Cast Iron		LH70	1
2	JSP7040-0012	Eye Bolt			1
3	JX5268-002	Washer - Eye Bolt			1
4	J92601-6003	Bearing			4
6	J54708-0000	Timing Gear Set (2 gears per set)			1
7	J91602-6003	Tab Washer - Gear Nut			2
7a	J91602-6002	Tab Washer - Bearing Nut			2
8	J91085-6003	Bearing Nut			2
8a	J91085-6004	Gear Nut			2
9	J54707-0001	Gasket Gear Cover			1
10	JSP3100-0225	Roll Pin - Bearing Carrier Housing			4
11	J54706-0001	Gear Cover - Cast Iron			1
12	J24020-0002	Plug - Oil Filler/Breather			1
13	JSP8022-2248	Oil Level Window			1
14	JSP2650-0220	Drain Plug			1
15	J23005-1820	Label - Hy-Line			1
16	J23005-1822	Label - Rotary Lobe Pump (not shown)			1
18	JX3000-229F	Screw - Gear Cover			4
19	JSP1613-1390	Washer (Nylite) - Gear Cover			4
20	JSP2701-0901	Lip Seal - Rear Gear Cover			1
21	JX3001-278F	Screws - Foot Mounting			4
22	J54719-0000	Foot - Vertical Ports (Cast Iron)			2
	J54718-0000	Foot - Horizontal Ports (Cast Iron)			2
23	J92701-6005	Lip Seal - Front Bearing Carrier Housing			2
24	J54727-0000	Shaft - Driving		LH72	1
	J54747-0000	Shaft - Driving		LH74	1
	J54767-0000	Shaft - Driving		LH76	1
25	J54728-0000	Shaft - Driven		LH72	1
	J54748-0000	Shaft - Driven		LH74	1
	J54768-0000	Shaft - Driven		LH76	1
28	JX4000-557B	Key - Timing Gear Drive		LH70	2
29	JX4000-631A	Key - Drive Shaft			1
*Kit	J54785-0000B	Gearbox Service Kit			1

PUMP SERIES LH70

Rotor case for All Mech Seals

Item	Part nr.	Description	Material	Used	Quantity/ pump
30	J54786-0000B	Shim Kit - Rotor Clearance		LH70	1
31	JSP2000-29	O-Ring - Shim Retention - Nitrile			2
51		Rotor Case with welded ports *			1
52	JX3007-296F	Screw - Rotor Case		LH72	4
	JX3007-303F	Screw - Rotor Case		LH74	4

PUMP SERIES LH70

Rotor case for All Mech Seals

Item	Part nr.	Description	Material	Used	Quantity/ pump
	JX3007-307F	Screw - Rotor Case		LH76	4
56		Rotor Kit (Includes rotor x 2) *		LH70	1
58	J92000-6060	O-Ring - Rotor Retainer	Nitrile	LH70	2
	J92000-6075	O-Ring - Rotor Retainer	EPDM		2
	J92000-6064	O-Ring - Rotor Retainer	Viton		2
	JX1990-126	O-Ring - Rotor Retainer	Kalrez		2
	JX1990-111	O-Ring - Rotor Retainer	PTFE		2
59	JX3007-242C	Rotor Retaining Screw			6
59a	J54725-0000	Hygienic Cap			2
60	J24068-0003	Shaft Guard (Not Shown on Exploded View)			2
61	J24069-0003	Shaft Guard Stud (Not Shown on Exploded View)			2
62	JX3070-061F	Shaft Guard Nut (Not Shown on Exploded View)			2
120	J92000-6061	O-Ring - End Cover	Nitrile		1
	JX5251-050	O-Ring - End Cover	EPDM		1
	J92000-6062	O-Ring - End Cover	Viton		1
	J92000-6036	O-Ring - End Cover	PTFE		1
	J56773-0007	Gasket - End Cover	EPDM		1
	J56773-0004	Gasket - End Cover	Viton		1
	J56773-0002	Gasket - End Cover	PTFE		1
122	J54709-0000	"End Cover-Plain O-Ring Joint 316SS, Standard Machined Finish"			1
	J54709-0090	"End Cover-Plain O-Ring Joint 316SS, Electro-Polish Finish"			1
	J54709-0010	"End Cover-Plain O-Ring Joint 316SS, 0.5 Micron & EP Finish"			1
	J56709-0000	End Cover-Controlled Compression Joint (Gasket), STD Machined Finish			1
	J56709-0090	End Cover-Controlled Compression Joint (Gasket), Electro-Polish Finish			1
	J56709-0010	End Cover-Controlled Compression Joint (Gasket), 0.5 Micron & EP Finish			1
123	JX3001-244F	Bolt - End Cover			8
51	J54723-1300	Tri-Clamp (BS4825 part 3)-STD port size		STD machined 72	1
	J54723-1390	Tri-Clamp (BS4825 part 3)-STD port size		EP finished 72	1
	J54723-1310	Tri-Clamp (BS4825 part 3)-STD port size		0.5µ & EP finished 72	1
	J54743-1400	Tri-Clamp (BS4825 part 3)-STD port size		STD machined 74	1
	J54743-1440	Tri-Clamp (BS4825 part 3)-STD port size		EP finished 74	1
	J54743-1410	Tri-Clamp (BS4825 part 3)-STD port size		0.5µ & EP finished 74	1
	J54763-1550	Tri-Clamp (BS4825 part 3)-STD port size		STD machined 76	1
	J54763-1559	Tri-Clamp (BS4825 part 3)-STD port size		EP finished 76	1
	J54763-1551	Tri-Clamp (BS4825 part 3)-STD port size		0.5µ & EP finished 76	1
	J54723-1400	Tri-Clamp (BS4825 part 3)-Enlarged port size		STD machined 72	1
	J54723-1490	Tri-Clamp (BS4825 part 3)-Enlarged port size		EP finished 72	1
	J54723-1410	Tri-Clamp (BS4825 part 3)-Enlarged port size		0.5µ & EP finished 72	1
	J54743-1450	Tri-Clamp (BS4825 part 3)-Enlarged port size		STD machined 74	1
	J54743-1459	Tri-Clamp (BS4825 part 3)-Enlarged port size		EP finished 74	1
	J54743-1451	Tri-Clamp (BS4825 part 3)-Enlarged port size		0.5µ & EP finished 74	1
	J54763-1650	Tri-Clamp (BS4825 part 3)-Enlarged port size		STD machined 76	1
	J54743-1659	Tri-Clamp (BS4825 part 3)-Enlarged port size		EP finished 76	1

PUMP SERIES LH70

Rotor case for All Mech Seals

Item	Part nr.	Description	Material	Used	Quantity/ pump
	J54763-1651	Tri-Clamp (BS4825 part 3)-Enlarged port size		0.5µ & EP finished 76	1
	J54723-1250	Tri-Clamp (BS4825 part 3)-Reduced port size		STD machined 72	1
	J54723-1259	Tri-Clamp (BS4825 part 3)-Reduced port size		EP finished 72	1
	J54723-1251	Tri-Clamp (BS4825 part 3)-Reduced port size		0.5µ & EP finished 72	1
	J54743-1300	Tri-Clamp (BS4825 part 3)-Reduced port size		STD machined 74	1
	J54743-1390	Tri-Clamp (BS4825 part 3)-Reduced port size		EP finished 74	1
	J54743-1310	Tri-Clamp (BS4825 part 3)-Reduced port size		0.5µ & EP finished 74	1
	J54763-1450	Tri-Clamp (BS4825 part 3)-Reduced port size		STD machined 76	1
	J54763-1459	Tri-Clamp (BS4825 part 3)-Reduced port size		EP finished 76	1
	J54763-1451	Tri-Clamp (BS4825 part 3)-Reduced port size		0.5µ & EP finished 76	1
	J54723-2300	BSP (BS2779)-STD port size		STD machined 72	1
	J54723-2390	BSP (BS2779)-STD port size		EP finished 72	1
	J54743-2400	BSP (BS2779)-STD port size		STD machined 74	1
	J54743-2490	BSP (BS2779)-STD port size		EP finished 74	1
	J54763-2500	BSP (BS2779)-STD port size		STD machined 76	1
	J54763-2590	BSP (BS2779)-STD port size		EP finished 76	1
	J54723-2400	BSP (BS2779)-Enlarged port size		STD machined 72	1
	J54723-2490	BSP (BS2779)-Enlarged port size		EP finished 72	1
	J54743-2500	BSP (BS2779)-Enlarged port size		STD machined 74	1
	J54743-2590	BSP (BS2779)-Enlarged port size		EP finished 74	1
	J54763-2600	BSP (BS2779)-Enlarged port size		STD machined 76	1
	J54763-2690	BSP (BS2779)-Enlarged port size		EP finished 76	1
	J54723-2250	BSP (BS2779)-Reduced port size		STD machined 72	1
	J54723-2259	BSP (BS2779)-Reduced port size		EP finished 72	1
	J54743-2300	BSP (BS2779)-Reduced port size		STD machined 74	1
	J54743-2390	BSP (BS2779)-Reduced port size		EP finished 74	1
	J54763-2400	BSP (BS2779)-Reduced port size		STD machined 76	1
	J54763-2490	BSP (BS2779)-Reduced port size		EP finished 76	1
	J54723-3300	IDF (ISO 2853)-STD port size		STD machined 72	1
	J54723-3390	IDF (ISO 2853)-STD port size		EP finished 72	1
	J54743-3400	IDF (ISO 2853)-STD port size		STD machined 74	1
	J54743-3490	IDF (ISO 2853)-STD port size		EP finished 74	1
	N/A	IDF (ISO 2853)-STD port size		STD machined 76	-
	N/A	IDF (ISO 2853)-STD port size		EP finished 76	-
51	J54723-3350	IDF (ISO 2853)-Enlarged port size		STD machined 72	1
	J54723-3359	IDF (ISO 2853)-Enlarged port size		EP finished 72	1
	N/A	IDF (ISO 2853)-Enlarged port size		STD machined 74	-
	N/A	IDF (ISO 2853)-Enlarged port size		EP finished 74	-
	N/A	IDF (ISO 2853)-Enlarged port size		STD machined 76	-
	N/A	IDF (ISO 2853)-Enlarged port size		EP finished 76	-
	J54723-3250	IDF (ISO 2853)-Reduced port size		STD machined 72	1
	J54723-3259	IDF (ISO 2853)-Reduced port size		EP finished 72	1
	J54743-3350	IDF (ISO 2853)-Reduced port size		STD machined 74	1
	J54743-3359	IDF (ISO 2853)-Reduced port size		EP finished 74	1
	J54763-3400	IDF (ISO 2853)-Reduced port size		STD machined 76	1
	N/A	IDF (ISO 2853)-Reduced port size		EP finished 76	-
	J54723-4300	RJT (BS1864)-STD port size		STD machined 72	1

PUMP SERIES LH70

Rotor case for All Mech Seals

Item	Part nr.	Description	Material	Used	Quantity/ pump
	J54723-4390	RJT (BS1864)-STD port size		EP finished 72	1
	J54743-4400	RJT (BS1864)-STD port size		STD machined 74	1
	J54743-4490	RJT (BS1864)-STD port size		EP finished 74	1
	N/A	RJT (BS1864)-STD port size		STD machined 76	-
	N/A	RJT (BS1864)-STD port size		EP finished 76	-
	J54723-4400	RJT (BS1864)-Enlarged port size		STD machined 72	1
	J54723-4490	RJT (BS1864)-Enlarged port size		EP finished 72	1
	N/A	RJT (BS1864)-Enlarged port size		STD machined 74	-
	N/A	RJT (BS1864)-Enlarged port size		EP finished 74	-
	N/A	RJT (BS1864)-Enlarged port size		STD machined 76	-
	N/A	RJT (BS1864)-Enlarged port size		EP finished 76	-
	J54723-4250	RJT (BS1864)-Reduced port size		STD machined 72	1
	J54723-4259	RJT (BS1864)-Reduced port size		EP finished 72	1
	J54743-4300	RJT (BS1864)-Reduced port size		STD machined 74	1
	J54743-4390	RJT (BS1864)-Reduced port size		EP finished 74	1
	J54763-4400	RJT (BS1864)-Reduced port size		STD machined 76	1
	J54763-4490	RJT (BS1864)-Reduced port size		EP finished 76	1
	J54723-5300	3A ACME (BS3581)-STD port size		STD machined 72	1
	J54723-5390	3A ACME (BS3581)-STD port size		EP finished 72	1
	J54743-5400	3A ACME (BS3581)-STD port size		STD machined 74	1
	J54743-5490	3A ACME (BS3581)-STD port size		EP finished 74	1
	N/A	3A ACME (BS3581)-STD port size		STD machined 76	-
	N/A	3A ACME (BS3581)-STD port size		EP finished 76	-
	J54723-5400	3A ACME (BS3581)-Enlarged port size		STD machined 72	1
	J54723-5490	3A ACME (BS3581)-Enlarged port size		EP finished 72	1
	N/A	3A ACME (BS3581)-Enlarged port size		STD machined 74	-
	N/A	3A ACME (BS3581)-Enlarged port size		EP finished 74	-
	N/A	3A ACME (BS3581)-Enlarged port size		STD machined 76	-
	N/A	3A ACME (BS3581)-Enlarged port size		EP finished 76	-
	J54723-5250	3A ACME (BS3581)-Reduced port size		STD machined 72	1
	J54723-5259	3A ACME (BS3581)-Reduced port size		EP finished 72	1
	J54743-5300	3A ACME (BS3581)-Reduced port size		STD machined 74	1
	J54743-5390	3A ACME (BS3581)-Reduced port size		EP finished 74	1
	J54763-5400	3A ACME (BS3581)-Reduced port size		STD machined 76	1
	J54763-5490	3A ACME (BS3581)-Reduced port size		EP finished 76	1
	J54723-6300	DIN 11851-STD port size		STD machined 72	1
	J54723-6390	DIN 11851-STD port size		EP finished 72	1
	J54743-6400	DIN 11851-STD port size		STD machined 74	1
51	J54743-6490	DIN 11851-STD port size		EP finished 74	1
	J54763-6500	DIN 11851-STD port size		STD machined 76	1
	J54763-6590	DIN 11851-STD port size		EP finished 76	1
	J54723-6400	DIN 11851-Enlarged port size		STD machined 72	1
	J54723-6490	DIN 11851-Enlarged port size		EP finished 72	1
	J54743-6500	DIN 11851-Enlarged port size		STD machined 74	1
	J54743-6590	DIN 11851-Enlarged port size		EP finished 74	1
	J54763-6600	DIN 11851-Enlarged port size		STD machined 76	1
	J54763-6690	DIN 11851-Enlarged port size		EP finished 76	1

PUMP SERIES LH70

Rotor case for All Mech Seals

Item	Part nr.	Description	Material	Used	Quantity/ pump
	J54723-6250	DIN 11851-Reduced port size		STD machined 72	1
	J54723-6259	DIN 11851-Reduced port size		EP finished 72	1
	J54743-6300	DIN 11851-Reduced port size		STD machined 74	1
	J54743-6390	DIN 11851-Reduced port size		EP finished 74	1
	J54763-6400	DIN 11851-Reduced port size		STD machined 76	1
	J54763-6490	DIN 11851-Reduced port size		EP finished 76	1
	J54723-7300	SMS 1146-STD port size		STD machined 72	1
	J54723-7390	SMS 1146-STD port size		EP finished 72	1
	J54743-7400	SMS 1146-STD port size		STD machined 74	1
	J54743-7490	SMS 1146-STD port size		EP finished 74	1
	N/A	SMS 1146-STD port size		STD machined 76	-
	N/A	SMS 1146-STD port size		EP finished 76	-
	J54723-7400	SMS 1146-Enlarged port size		STD machined 72	1
	J54723-7490	SMS 1146-Enlarged port size		EP finished 72	1
	N/A	SMS 1146-Enlarged port size		STD machined 74	-
	N/A	SMS 1146-Enlarged port size		EP finished 74	-
	N/A	SMS 1146-Enlarged port size		STD machined 76	-
	N/A	SMS 1146-Enlarged port size		EP finished 76	-
	J54723-7250	SMS 1146-Reduced port size		STD machined 72	1
	J54723-7259	SMS 1146-Reduced port size		EP finished 72	1
	J54743-7350	SMS 1146-Reduced port size		STD machined 74	1
	J54743-7359	SMS 1146-Reduced port size		EP finished 74	1
	J54763-7400	SMS 1146-Reduced port size		STD machined 76	1
	J54763-7490	SMS 1146-Reduced port size		EP finished 76	1
	J54723-9300	NPT-STD port size		STD machined 72	1
	J54723-9390	NPT-STD port size		EP finished 72	1
	J54743-9400	NPT-STD port size		STD machined 74	1
	J54743-9490	NPT-STD port size		EP finished 74	1
	J54763-9500	NPT-STD port size		STD machined 76	1
	J54763-9500	NPT-STD port size		EP finished 76	1
	J54723-9350	NPT-Enlarged port size		STD machined 72	1
	J54723-9359	NPT-Enlarged port size		EP finished 72	1
	J54743-9500	NPT-Enlarged port size		STD machined 74	1
	J54743-9590	NPT-Enlarged port size		EP finished 74	1
	J54763-9600	NPT-Enlarged port size		STD machined 76	1
	J54763-9690	NPT-Enlarged port size		EP finished 76	1
	J54723-9250	NPT-Reduced port size		STD machined 72	1
	J54723-9259	NPT-Reduced port size		EP finished 72	1
	J54743-9300	NPT-Reduced port size		STD machined 74	1
	J54743-9390	NPT-Reduced port size		EP finished 74	1
	J54763-9400	NPT-Reduced port size		STD machined 76	1
	J54763-9490	NPT-Reduced port size		EP finished 76	1

PUMP SERIES LH70

Rotor case for Hopper with Mech Seals

Item	Part nr.	Description	Material	Used	Quantity/ pump
51	J5472H-1300	Tri-Clamp(BS4825 part3)-STD port size		STD machined 72	1
	J5472H-1390	Tri-Clamp(BS4825 part3)-STD port size		EP finished 72	1
	J5472H-1310	Tri-Clamp(BS4825 part3)-STD port size		0.5μ & EP finished 72	1
	J5474H-1400	Tri-Clamp(BS4825 part3)-STD port size		STD machined 74	1
	J5474H-1440	Tri-Clamp(BS4825 part3)-STD port size		EP finished 74	1
	J5474H-1410	Tri-Clamp(BS4825 part3)-STD port size		0.5μ & EP finished 74	1
	J5476H-1550	Tri-Clamp(BS4825 part3)-STD port size		STD machined 76	1
	J5476H-1559	Tri-Clamp(BS4825 part3)-STD port size		EP finished 76	1
	J5476H-1551	Tri-Clamp(BS4825 part3)-STD port size		0.5μ & EP finished 76	1
	J5472H-1400	Tri-Clamp(BS4825 part3)-Enlarged port size		STD machined 72	1
	J5472H-1490	Tri-Clamp(BS4825 part3)-Enlarged port size		EP finished 72	1
	J5472H-1410	Tri-Clamp(BS4825 part3)-Enlarged port size		0.5μ & EP finished 72	1
	J5474H-1450	Tri-Clamp(BS4825 part3)-Enlarged port size		STD machined 74	1
	J5474H-1459	Tri-Clamp(BS4825 part3)-Enlarged port size		EP finished 74	1
	J5474H-1451	Tri-Clamp(BS4825 part3)-Enlarged port size		0.5μ & EP finished 74	1
	J5476H-1650	Tri-Clamp(BS4825 part3)-Enlarged port size		STD machined 76	1
	J5474H-1659	Tri-Clamp(BS4825 part3)-Enlarged port size		EP finished 76	1
	J5476H-1651	Tri-Clamp(BS4825 part3)-Enlarged port size		0.5μ & EP finished 76	1
	J5472H-1250	Tri-Clamp(BS4825 part3)-Reduced port size		STD machined 72	1
	J5472H-1259	Tri-Clamp(BS4825 part3)-Reduced port size		EP finished 72	1
	J5472H-1251	Tri-Clamp(BS4825 part3)-Reduced port size		0.5μ & EP finished 72	1
	J5474H-1300	Tri-Clamp(BS4825 part3)-Reduced port size		STD machined 74	1
	J5474H-1390	Tri-Clamp(BS4825 part3)-Reduced port size		EP finished 74	1
	J5474H-1310	Tri-Clamp(BS4825 part3)-Reduced port size		0.5μ & EP finished 74	1
	J5476H-1450	Tri-Clamp(BS4825 part3)-Reduced port size		STD machined 76	1
	J5476H-1459	Tri-Clamp(BS4825 part3)-Reduced port size		EP finished 76	1
	J5476H-1451	Tri-Clamp(BS4825 part3)-Reduced port size		0.5μ & EP finished 76	1
	J5472H-2300	BSP (BS2779)-STD port size		STD machined 72	1
	J5472H-2390	BSP (BS2779)-STD port size		EP finished 72	1
	J5474H-2400	BSP (BS2779)-STD port size		STD machined 74	1
	J5474H-2490	BSP (BS2779)-STD port size		EP finished 74	1
	J5476H-2500	BSP (BS2779)-STD port size		STD machined 76	1
	J5476H-2590	BSP (BS2779)-STD port size		EP finished 76	1
	J5472H-2400	BSP (BS2779)-Enlarged port size		STD machined 72	1
	J5472H-2490	BSP (BS2779)-Enlarged port size		EP finished 72	1
	J5474H-2500	BSP (BS2779)-Enlarged port size		STD machined 74	1
	J5474H-2590	BSP (BS2779)-Enlarged port size		EP finished 74	1
	J5476H-2600	BSP (BS2779)-Enlarged port size		STD machined 76	1
	J5476H-2690	BSP (BS2779)-Enlarged port size		EP finished 76	1
	J5472H-2250	BSP (BS2779)-Reduced port size		STD machined 72	1
	J5472H-2259	BSP (BS2779)-Reduced port size		EP finished 72	1
	J5474H-2300	BSP (BS2779)-Reduced port size		STD machined 74	1
	J5474H-2390	BSP (BS2779)-Reduced port size		EP finished 74	1
	J5476H-2400	BSP (BS2779)-Reduced port size		STD machined 76	1
	J5476H-2490	BSP (BS2779)-Reduced port size		EP finished 76	1
	J5472H-3300	IDF(ISO 2853)-STD port size		STD machined 72	1
	J5472H-3390	IDF(ISO 2853)-STD port size		EP finished 72	1

PUMP SERIES LH70

Rotor case for Hopper with Mech Seals

Item	Part nr.	Description	Material	Used	Quantity/ pump
	J5474H-3400	IDF(ISO 2853)-STD port size		STD machined 74	1
	J5474H-3490	IDF(ISO 2853)-STD port size		EP finished 74	1
	N/A	IDF(ISO 2853)-STD port size		STD machined 76	-
	N/A	IDF(ISO 2853)-STD port size		EP finished 76	-
51	J5472H-3350	IDF(ISO 2853)-Enlarged port size		STD machined 72	1
	J5472H-3359	IDF(ISO 2853)-Enlarged port size		EP finished 72	1
	N/A	IDF(ISO 2853)-Enlarged port size		STD machined 74	-
	N/A	IDF(ISO 2853)-Enlarged port size		EP finished 74	-
	N/A	IDF(ISO 2853)-Enlarged port size		STD machined 76	-
	N/A	IDF(ISO 2853)-Enlarged port size		EP finished 76	-
	J5472H-3250	IDF(ISO 2853)-Reduced port size		STD machined 72	1
	J5472H-3259	IDF(ISO 2853)-Reduced port size		EP finished 72	1
	J5474H-3350	IDF(ISO 2853)-Reduced port size		STD machined 74	1
	J5474H-3359	IDF(ISO 2853)-Reduced port size		EP finished 74	1
	J5476H-3400	IDF(ISO 2853)-Reduced port size		STD machined 76	1
	N/A	IDF(ISO 2853)-Reduced port size		EP finished 76	-
	J5472H-4300	RJT (BS1864)-STD port size		STD machined 72	1
	J5472H-4390	RJT (BS1864)-STD port size		EP finished 72	1
	J5474H-4400	RJT (BS1864)-STD port size		STD machined 74	1
	J5474H-4490	RJT (BS1864)-STD port size		EP finished 74	1
	N/A	RJT (BS1864)-STD port size		STD machined 76	-
	N/A	RJT (BS1864)-STD port size		EP finished 76	-
	J5472H-4400	RJT (BS1864)-Enlarged port size		STD machined 72	1
	J5472H-4490	RJT (BS1864)-Enlarged port size		EP finished 72	1
	N/A	RJT (BS1864)-Enlarged port size		STD machined 74	-
	N/A	RJT (BS1864)-Enlarged port size		EP finished 74	-
	N/A	RJT (BS1864)-Enlarged port size		STD machined 76	-
	N/A	RJT (BS1864)-Enlarged port size		EP finished 76	-
	J5472H-4250	RJT (BS1864)-Reduced port size		STD machined 72	1
	J5472H-4259	RJT (BS1864)-Reduced port size		EP finished 72	1
	J5474H-4300	RJT (BS1864)-Reduced port size		STD machined 74	1
	J5474H-4390	RJT (BS1864)-Reduced port size		EP finished 74	1
	J5476H-4400	RJT (BS1864)-Reduced port size		STD machined 76	1
	J5476H-4490	RJT (BS1864)-Reduced port size		EP finished 76	1
	J5472H-5300	3A ACME (BS3581)-STD port size		STD machined 72	1
	J5472H-5390	3A ACME (BS3581)-STD port size		EP finished 72	1
	J5474H-5400	3A ACME (BS3581)-STD port size		STD machined 74	1
	J5474H-5490	3A ACME (BS3581)-STD port size		EP finished 74	1
	N/A	3A ACME (BS3581)-STD port size		STD machined 76	-
	N/A	3A ACME (BS3581)-STD port size		EP finished 76	-
	J5472H-5400	3A ACME (BS3581)-Enlarged port size		STD machined 72	1
	J5472H-5490	3A ACME (BS3581)-Enlarged port size		EP finished 72	1
	N/A	3A ACME (BS3581)-Enlarged port size		STD machined 74	-
	N/A	3A ACME (BS3581)-Enlarged port size		EP finished 74	-
	N/A	3A ACME (BS3581)-Enlarged port size		STD machined 76	-
	N/A	3A ACME (BS3581)-Enlarged port size		EP finished 76	-
	J5472H-5250	3A ACME (BS3581)-Reduced port size		STD machined 72	1

PUMP SERIES LH70

Rotor case for Hopper with Mech Seals

Item	Part nr.	Description	Material	Used	Quantity/ pump
	J5472H-5259	3A ACME (BS3581)-Reduced port size		EP finished 72	1
	J5474H-5300	3A ACME (BS3581)-Reduced port size		STD machined 74	1
	J5474H-5390	3A ACME (BS3581)-Reduced port size		EP finished 74	1
	J5476H-5400	3A ACME (BS3581)-Reduced port size		STD machined 76	1
	J5476H-5490	3A ACME (BS3581)-Reduced port size		EP finished 76	1
	J5472H-6300	DIN 11851-STD port size		STD machined 72	1
	J5472H-6390	DIN 11851-STD port size		EP finished 72	1
	J5474H-6400	DIN 11851-STD port size		STD machined 74	1
51	J5474H-6490	DIN 11851-STD port size		EP finished 74	1
	J5476H-6500	DIN 11851-STD port size		STD machined 76	1
	J5476H-6590	DIN 11851-STD port size		EP finished 76	1
	J5472H-6400	DIN 11851-Enlarged port size		STD machined 72	1
	J5472H-6490	DIN 11851-Enlarged port size		EP finished 72	1
	J5474H-6500	DIN 11851-Enlarged port size		STD machined 74	1
	J5474H-6590	DIN 11851-Enlarged port size		EP finished 74	1
	J5476H-6600	DIN 11851-Enlarged port size		STD machined 76	1
	J5476H-6690	DIN 11851-Enlarged port size		EP finished 76	1
	J5472H-6250	DIN 11851-Reduced port size		STD machined 72	1
	J5472H-6259	DIN 11851-Reduced port size		EP finished 72	1
	J5474H-6300	DIN 11851-Reduced port size		STD machined 74	1
	J5474H-6390	DIN 11851-Reduced port size		EP finished 74	1
	J5476H-6400	DIN 11851-Reduced port size		STD machined 76	1
	J5476H-6490	DIN 11851-Reduced port size		EP finished 76	1
	J5472H-7300	SMS 1146-STD port size		STD machined 72	1
	J5472H-7390	SMS 1146-STD port size		EP finished 72	1
	J5474H-7400	SMS 1146-STD port size		STD machined 74	1
	J5474H-7490	SMS 1146-STD port size		EP finished 74	1
	N/A	SMS 1146-STD port size		STD machined 76	-
	N/A	SMS 1146-STD port size		EP finished 76	-
	J5472H-7400	SMS 1146-Enlarged port size		STD machined 72	1
	J5472H-7490	SMS 1146-Enlarged port size		EP finished 72	1
	N/A	SMS 1146-Enlarged port size		STD machined 74	-
	N/A	SMS 1146-Enlarged port size		EP finished 74	-
	N/A	SMS 1146-Enlarged port size		STD machined 76	-
	N/A	SMS 1146-Enlarged port size		EP finished 76	-
	J5472H-7250	SMS 1146-Reduced port size		STD machined 72	1
	J5472H-7259	SMS 1146-Reduced port size		EP finished 72	1
	J5474H-7350	SMS 1146-Reduced port size		STD machined 74	1
	J5474H-7359	SMS 1146-Reduced port size		EP finished 74	1
	J5476H-7400	SMS 1146-Reduced port size		STD machined 76	1
	J5476H-7490	SMS 1146-Reduced port size		EP finished 76	1
	J5472H-9300	NPT-STD port size		STD machined 72	1
	J5472H-9390	NPT-STD port size		EP finished 72	1
	J5474H-9400	NPT-STD port size		STD machined 74	1
	J5474H-9490	NPT-STD port size		EP finished 74	1
	J5476H-9500	NPT-STD port size		STD machined 76	1
	J5476H-9590	NPT-STD port size		EP finished 76	-

PUMP SERIES LH70

Rotor case for Hopper with Mech Seals

Item	Part nr.	Description	Material	Used	Quantity/ pump
	J5472H-9350	NPT-Enlarged port size		STD machined 72	1
	J5472H-9359	NPT-Enlarged port size		EP finished 72	1
	J5474H-9500	NPT-Enlarged port size		STD machined 74	1
	J5474H-9590	NPT-Enlarged port size		EP finished 74	1
	J5476H-9600	NPT-Enlarged port size		STD machined 76	1
	J5476H-9690	NPT-Enlarged port size		EP finished 76	1
	J5472H-9250	NPT-Reduced port size		STD machined 72	1
	J5472H-9259	NPT-Reduced port size		EP finished 72	1
	J5474H-9300	NPT-Reduced port size		STD machined 74	1
	J5474H-9390	NPT-Reduced port size		EP finished 74	1
	J5476H-9400	NPT-Reduced port size		STD machined 76	1
	J5476H-9490	NPT-Reduced port size		EP finished 76	1

PUMP SERIES LH70

Rotor Kit (Includes rotor x 2pcs)

Item	Part nr.	Description	Material	Used	Quantity/ pump
56	J54722-0009B	High Pressure-Standard Machined	SS316	LH72	1
	J54722-0099B	High Pressure-Electro Polish	SS316		1
	J54722-0019B	High Pressure-0.5µ & Electro Polish	SS316		1
	J54722-L-0009B	High Pressure-Standard Machined	SS316L		1
	J54722-L-0099B	High Pressure-Electro Polish	SS316L		1
	J54722-L-0019B	High Pressure-0.5µ & Electro Polish	SS316L		1
	J54742-0009B	High Pressure-Standard Machined	SS316	LH74	1
	J54742-0099B	High Pressure-Electro Polish	SS316		1
	J54742-0019B	High Pressure-0.5µ & Electro Polish	SS316		1
	J54742-L-0009B	High Pressure-Standard Machined	SS316L		1
	J54742-L-0099B	High Pressure-Electro Polish	SS316L		1
	J54742-L-0019B	High Pressure-0.5µ & Electro Polish	SS316L		1
	J54762-0009B	High Pressure-Standard Machined	SS316	LH76	1
	J54762-0099B	High Pressure-Electro Polish	SS316		1
	J54762-0019B	High Pressure-0.5µ & Electro Polish	SS316		1
	J54762-L-0009B	High Pressure-Standard Machined	SS316L		1
	J54762-L-0099B	High Pressure-Electro Polish	SS316L		1
	J54762-L-0019B	High Pressure-0.5µ & Electro Polish	SS316L		1
	J54722-0008B	High Efficiency-Standard Machined	SS316	LH72	1
	J54722-0098B	High Efficiency-Electro Polish	SS316		1
	J54722-0018B	High Efficiency-0.5µ & Electro Polish	SS316		1
	J54722-L-0008B	High Efficiency-Standard Machined	SS316L		1
	J54722-L-0098B	High Efficiency-Electro Polish	SS316L		1
	J54722-L-0018B	High Efficiency-0.5µ & Electro Polish	SS316L		1

PUMP SERIES LH70

Single mechanical seal

Item	Part nr.	Description	Material	Used	Quantity/ pump
80	J96080-6020	Primary Seal Face Kit (Includes both faces)	C/SS	LH70	2
	J96080-6009	Primary Seal Face Kit (Includes both faces)	C/SiC		2
	J96080-6011	Primary Seal Face Kit (Includes both faces)	SiC/SiC		2
81	JX5240-005	Drive Plate, Mechanical Seal			2
82	JX5250-019	Wave Spring			2
83	J96080-6022	Single Seal Trim Kit	Nitrile		2
	J96080-6028	Single Seal Trim Kit	EPDM		2
	J96080-6015	Single Seal Trim Kit	Viton		2
	J83A, 83B, 83C	Single Seal Trim Kit	PTFE		2
83a	J54020-0007	Washer under Seal Rotary Face (fitted to rotor)	Viton		2
83b	J54713-0000	Sleeve (fitted to rotor)	PTFE		2
83c	J92000-6076	Encapsulated O-Ring	PTFE encap		2
84	J56011-0000	Clamp Plate - Seal Housing			4
85	JX3001-207F	Screw - Seal Housing			4
86	J96080-6013	Seal Housing Kit (Includes wave spring)			2
Kit	J54784-9300B	Pump Head Trim Kit	Nitrile	LH70	1
	J54784-9307B	Pump Head Trim Kit	EPDM		1
	J54784-9304B	Pump Head Trim Kit	Viton		1
	J54784-9302B	Pump Head Trim Kit	PTFE		1
	J54799-0001	Seal Service Kit, C/SS	Nitrile	LH72	1
	J54799-0003	Seal Service Kit, C/SS	EPDM		1
	J54799-0005	Seal Service Kit, C/SS	Viton		1
	J54799-0007	Seal Service Kit, C/SS	PTFE		1
	J54799-0009	Seal Service Kit, C/SiC	Nitrile		1
	J54799-0011	Seal Service Kit, C/SiC	EPDM		1
	J54799-0013	Seal Service Kit, C/SiC	Viton		1
	J54799-0015	Seal Service Kit, C/SiC	PTFE		1
	J54799-0017	Seal Service Kit, SiC/SiC	Nitrile		1
	J54799-0019	Seal Service Kit, SiC/SiC	EPDM		1
	J54799-0021	Seal Service Kit, SiC/SiC	Viton		1
	J54799-0023	Seal Service Kit, SiC/SiC	PTFE		1
	J54799-0002	Seal Service Kit, C/SS	Nitrile	LH74	1
	J54799-0004	Seal Service Kit, C/SS	EPDM		1
	J54799-0006	Seal Service Kit, C/SS	Viton		1
	J54799-0008	Seal Service Kit, C/SS	PTFE		1
	J54799-0010	Seal Service Kit, C/SiC	Nitrile		1
	J54799-0012	Seal Service Kit, C/SiC	EPDM		1
	J54799-0014	Seal Service Kit, C/SiC	Viton		1
	J54799-0016	Seal Service Kit, C/SiC	PTFE		1
	J54799-0018	Seal Service Kit, SiC/SiC	Nitrile		1
	J54799-0020	Seal Service Kit, SiC/SiC	EPDM		1
	J54799-0022	Seal Service Kit, SiC/SiC	Viton		1
	J54799-0024	Seal Service Kit, SiC/SiC	PTFE		1
	J54799-6002	Seal Service Kit, C/SS	Nitrile	LH76	1
	J54799-6004	Seal Service Kit, C/SS	EPDM		1
	J54799-6006	Seal Service Kit, C/SS	Viton		1
	J54799-6008	Seal Service Kit, C/SS	PTFE		1

PUMP SERIES LH70

Single mechanical seal

Item	Part nr.	Description	Material	Used	Quantity/ pump
	J54799-6010	Seal Service Kit, C/SiC	Nitrile		1
	J54799-6012	Seal Service Kit, C/SiC	EPDM		1
	J54799-6014	Seal Service Kit, C/SiC	Viton		1
	J54799-6016	Seal Service Kit, C/SiC	PTFE		1
	J54799-6018	Seal Service Kit, SiC/SiC	Nitrile		1
	J54799-6020	Seal Service Kit, SiC/SiC	EPDM		1
	J54799-6022	Seal Service Kit, SiC/SiC	Viton		1
	J54799-6024	Seal Service Kit, SiC/SiC	PTFE		1

PUMP SERIES LH70

Flush for single mechanical seal

Item	Part nr.	Description	Material	Used	Quantity/ pump
89	J96080-6018	Flushing Seal Housing Kit	EPDM	LH70	2
Supplied as part of Seal Housing Kit					
89a		Snap Ring			
89b	J96080-6017	Sleeve			2
90	J92700-1046	Lip Seal - Seal Housing	Viton		2
91	J92000-6079	O-Ring - Seal Housing	Nitrile		2
Kit	J54799-0025	Flushed Seal Conversion Kit	Nitrile		1

PUMP SERIES LH70

Double mechanical seal Conversion Kit

Item	Part nr.	Description	Material	Used	Quantity/ pump
92	J96080-6030	Secondary Seal Face Kit	C/SiC	LH70	2
	J96080-6031	Secondary Seal Face Kit	SS/SiC		2
	J96080-6039	Secondary Seal Face Kit	SiC/SiC		2
93	J96080-6032	Secondary Seal Trim Kit	EPDM		2
	J96080-6012	Secondary Seal Trim Kit	Viton		2
94	JX5240-005	Drive Plate			2
95	J96080-6029	Seal Housing Kit			2
Kit	J54799-0030	Double Mechanical Seal Conversion Kit	C/SiC, EPDM		1
Kit	J54799-0031	Double Mechanical Seal Conversion Kit	SiC/SiC, EPDM		1

PUMP SERIES LH70

Relief valve

Item	Part nr.	Description	Material	Used	Quantity/ pump
125	J54709-0001	End Cover		LH70	1
126	JX4020-449A	O-Ring - Relief Valve	Nitrile		1
	JX4020-449E	O-Ring - Relief Valve	PTFE		1
	JX4020-449B	O-Ring - Relief Valve	Viton		1
128	J24372-0001	Seat - Relief valve			1
129	J24073-0023	Diaphragm - Relief Valve	Nitrile		1
	J24073-0013	Diaphragm - Relief Valve	PTFE		1
131	J24374-0000	Plunger			1
132	J24375-0000	Spring - Relief Valve			1
133	J24376-0000	Housing			1
134	J24377-0000	Valve Guide			1
135	J24378-0000	Adjusting Screw			1
136	JX3001-218F	Bolt - Relief Valve			4
Kit	J54781-0001B	Relief Valve Kit (includes components above)	Nitrile		1

PUMP SERIES LH70

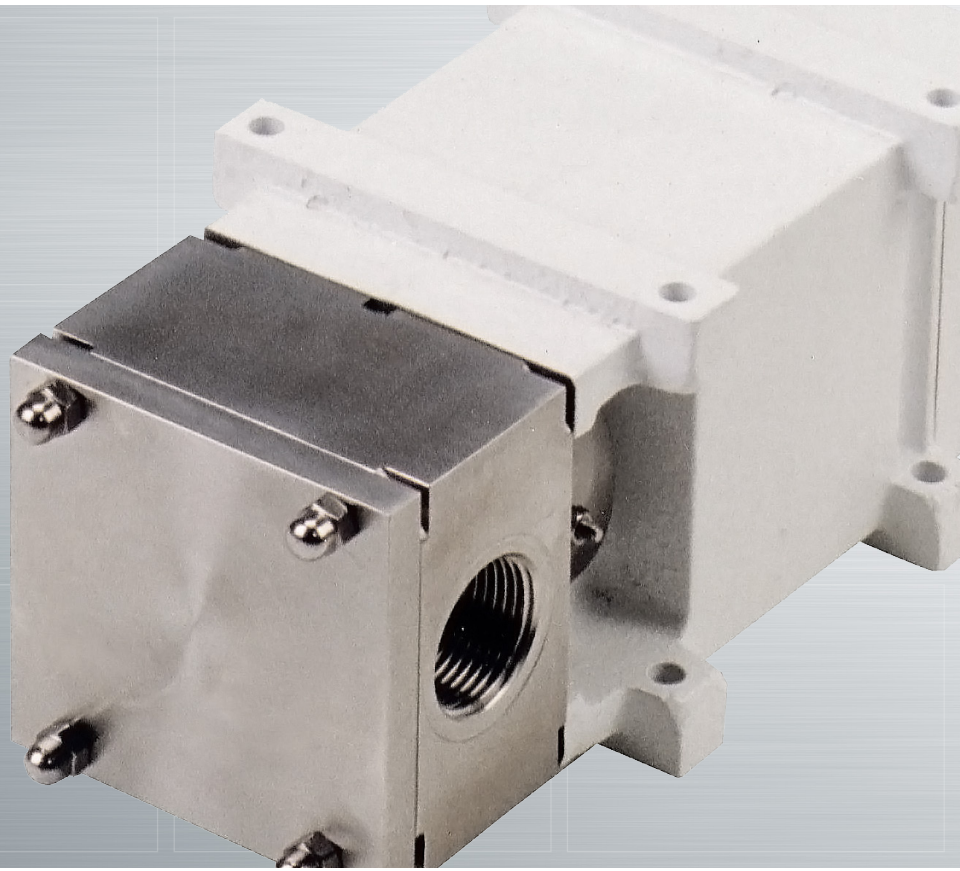
Thermal jacket

Item	Part nr.	Description	Material	Used	Quantity/ pump
138	J54709-0003	End Cover		LH70	1
139	J54701-0001	Jacket			2
140	JX1990-156	O-Ring			2
141	JX3001-244F	Screws			4
Kit	J54780-0003B	Pump Head Jacket Kit (Includes components above)			1
143	J54709-0004	End Cover			1
144	J54779-0000	Jacket			1
145	JSP2000-1243	O-Ring - Outer	Viton		1
147	JX3001-211F	Screws			4
Kit	J54780-0004B	End Cover Jacket Kit (Includes components above)			1
	J54780-0009B	Relief Valve with Thermal Jacket - End Cover			1

PUMP SERIES LH70

Tool

Item	Part nr.	Description	Material	Used	Quantity/ pump
180	J55027-0004	Tool - Rotor Locking Pad		LH70	1
181	J54676-0000	Socket Tool - Rotor Retainer			1
182	J54677-0000	Tool - Seal Seat Removal			1



VERDER
passion for pumps

VERDER LIQUIDS BV
Utrechtseweg 4A
3451 GG Vleuten
The Netherlands
MAIL info@verderliquids.com
WEB www.verderliquids.com

**AUSTRIA / BELGIUM / BULGARIA / CHINA / CZECH REPUBLIC
FRANCE / GERMANY / HUNGARY / INDIA / ITALY / THE NETHERLANDS
POLAND / REPUBLIC OF KOREA / ROMANIA / SLOVAKIA / SOUTH AFRICA
SWITZERLAND / UNITED KINGDOM / UNITED STATES OF AMERICA**