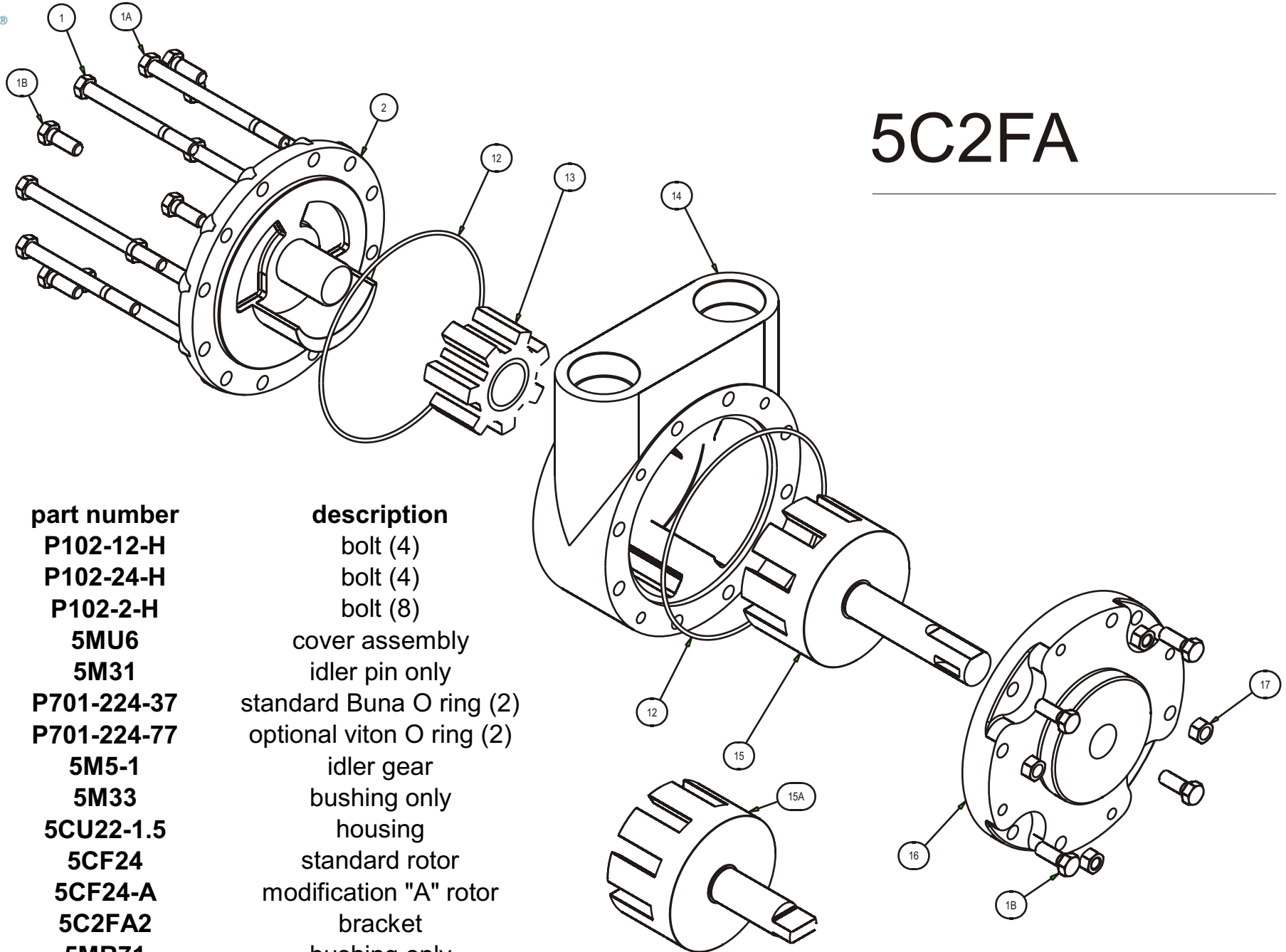




TUTHILL PUMP GROUP - LUBETECH PARTS LIST

5C2FA



item	part number	description
1	P102-12-H	bolt (4)
1A	P102-24-H	bolt (4)
1B	P102-2-H	bolt (8)
2	5MU6 5M31	cover assembly idler pin only
12	P701-224-37 P701-224-77	standard Buna O ring (2) optional viton O ring (2)
13	5M5-1 5M33	idler gear bushing only
14	5CU22-1.5	housing
15	5CF24	standard rotor
15A	5CF24-A	modification "A" rotor
16	5C2FA2 5MR71	bracket bushing only
17	P203-4	nut (4)

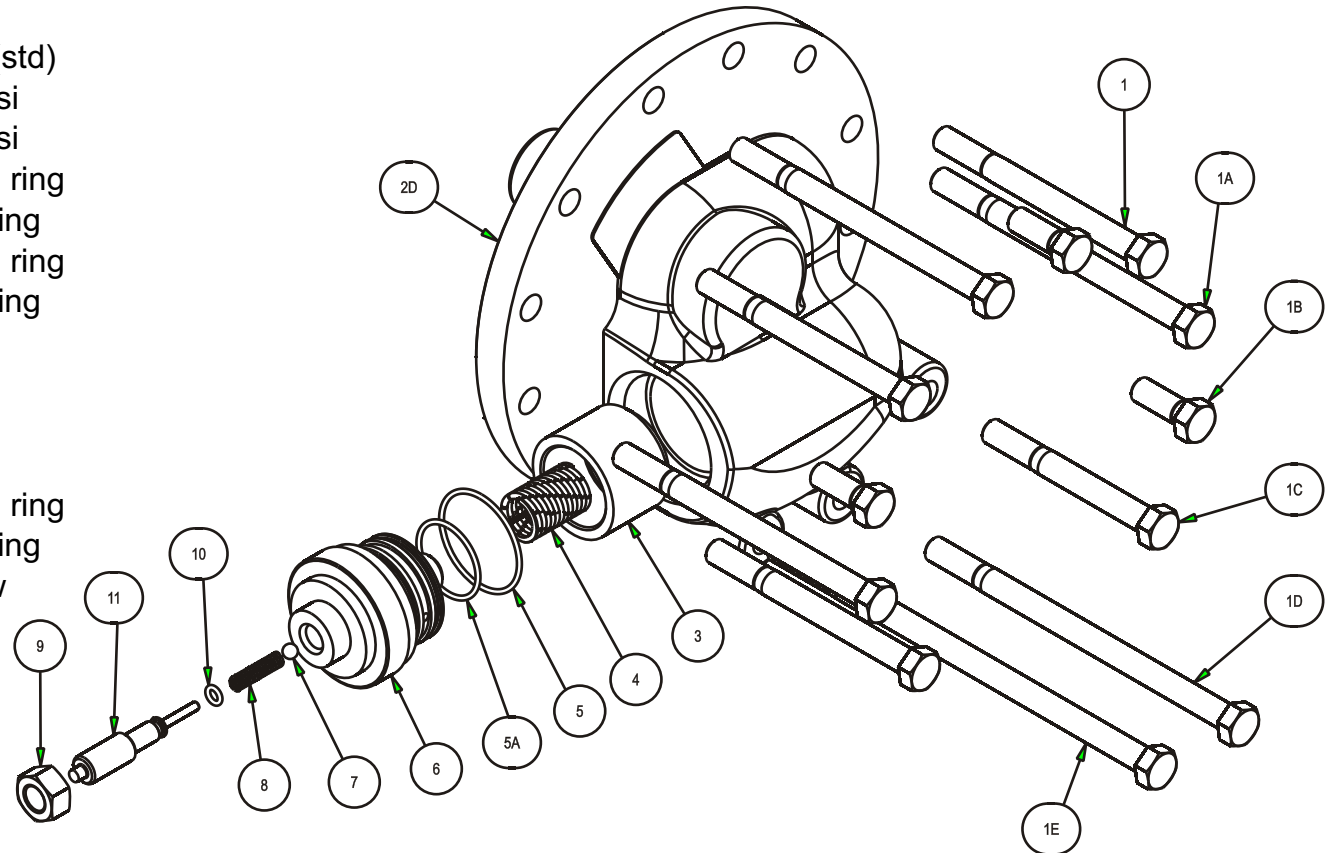


TUTHILL PUMP GROUP - LUBETECH PARTS LIST

5C2FA

Relief Valve Option

item	part number	description
1	P102-22-H	bolt (1)
1A	P102-24-H	bolt (3)
1B	P102-2-H	bolt (3)
1C	P102-5-H	bolt (3)
1D	P102-6-H	bolt (1)
1E	P102-26-H	bolt (1)
2D	5C2V6-C	clockwise cover assy
	5C2V6-CC	counterclockwise assy
	5M31	idler pin only
3	5CV58-X775	plunger
4	3CV63-4	spring 30-225 psi (std)
	3CV63-5	spring 20-150 psi
	3CV63-6	spring 45-250 psi
5	P701-112-37	standard Buna N O ring
	P701-112-77	optional Viton O ring
5A	P701-154-37	standard Buna N O ring
	P701-154-77	optional Viton O ring
6	5CV56	plug
7	P350-5	ball
8	3CV63	pilot spring
9	P203-15	nut
10	P701-10-37	standard Buna N O ring
	P701-10-77	optional Viton O ring
11	3CV527	adjusting screw

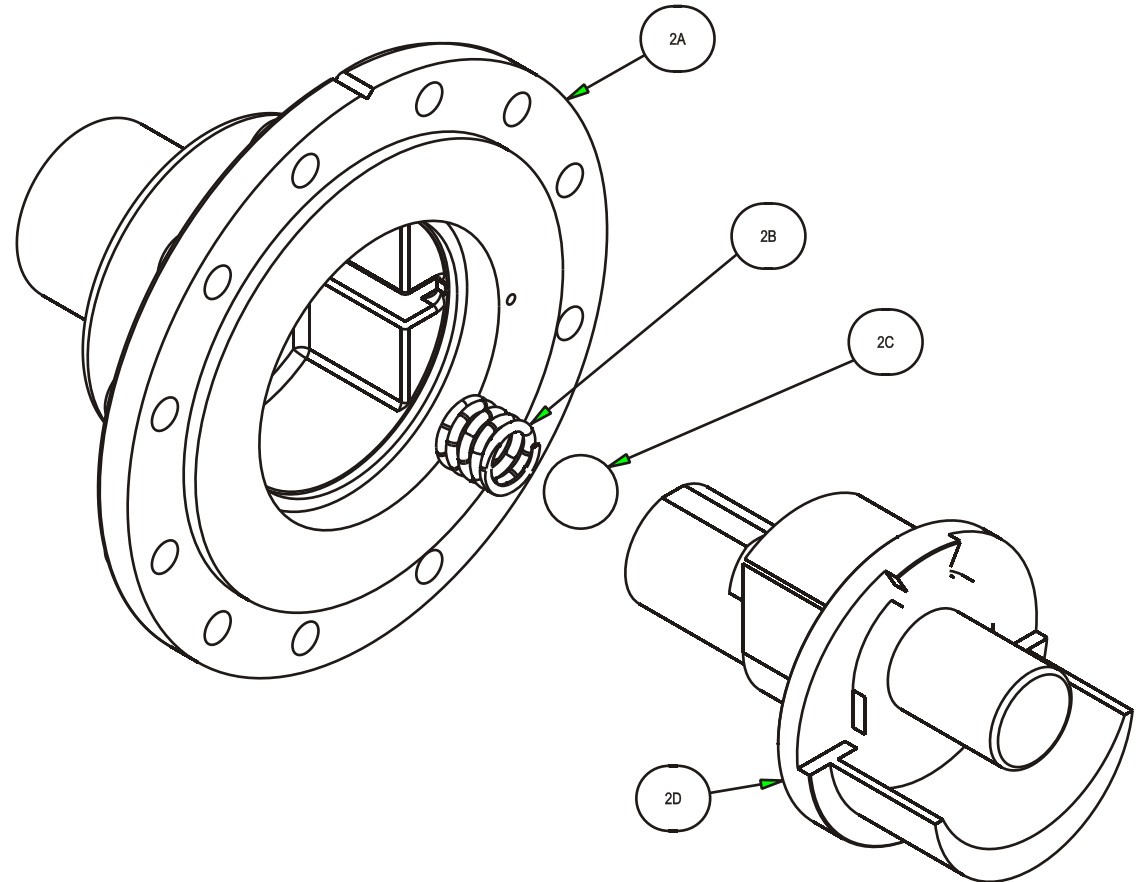




5C2FA

Reversing Option

item	part number	description
2A	5RU35	cover
2B	5R80	spring
2C	P350-4	ball
2D	5R6 5M31	carrier assembly idler pin only





5C2FA

Ball Bearing Option

item	part number	description
1B	P102-2-H	bolt (4)
15	5CFN24	rotor
16A	5C2FAN2	bracket
17	P203-4	nut (4)
19	P701-223-37 P701-223-77	standard Buna N O ring optional Viton O ring
20	5C2FN68-7530	bearing cap
20A	P602-19	ball bearing
21	P102-2-H	bolt (4)

