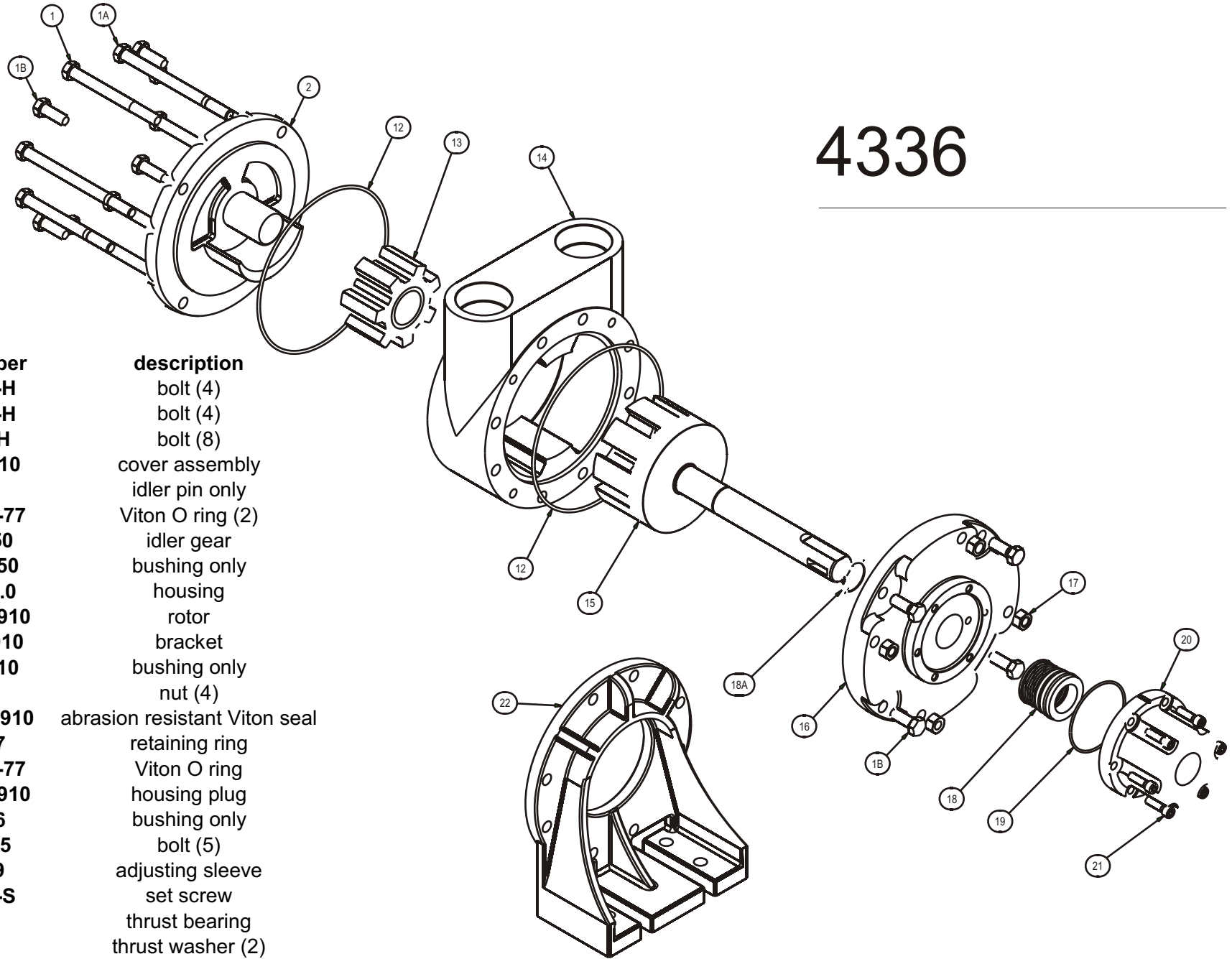




TUTHILL PUMP GROUP - LUBETECH PARTS LIST

4336



item	part number	description
1	P102-11-H	bolt (4)
1A	P102-25-H	bolt (4)
1B	P102-2-H	bolt (8)
2	6MU6-8910	cover assembly
	6M31	idler pin only
12	P701-224-77	Viton O ring (2)
13	6M5-8350	idler gear
	6M33-8350	bushing only
14	6CU22-2.0	housing
15	6C2B24-8910	rotor
16	5C2F2-8910	bracket
	5M71-8910	bushing only
17	P203-4	nut (4)
18	5C1B9-7-8910	abrasion resistant Viton seal
18A	P206-37	retaining ring
19	P701-223-77	Viton O ring
20	5C2B68-8910	housing plug
	P612-16	bushing only
21	P105-115	bolt (5)
22	5C1B79	adjusting sleeve
23	P103-57-S	set screw
24	P651-5	thrust bearing
25	P804-4	thrust washer (2)
26	P941-53	lip seal
27	5C81	optional mounting foot



TUTHILL PUMP GROUP - LUBETECH PARTS LIST

item	part number	description
1	P102-13-H	bolt (3)
1A	P102-3-H	bolt (3)
1B	P102-2-H	bolt (3)
1C	P102-22-H	bolt (1)
1D	P102-26-H	bolt (1)
1E	P102-28-H	bolt (1)
2D	6CV6-C	clockwise cover assy
	6CV6-CC	counterclockwise assy
	6M31	idler pin only
3	5CV58-X775	plunger
4	3CV63-4	spring 30-225 psi (std)
	3CV63-5	spring 20-150 psi
	3CV63-6	spring 45-250 psi
5	P701-154-77	Viton O ring
5A	P701-112-77	Viton O ring
6	5CV56	plug
7	P350-5	ball
8	3CV63	pilot spring
9	P203-15	nut
10	P701-10-77	Viton O ring
11	3CV527	adjusting screw

4336

Relief Valve Option

