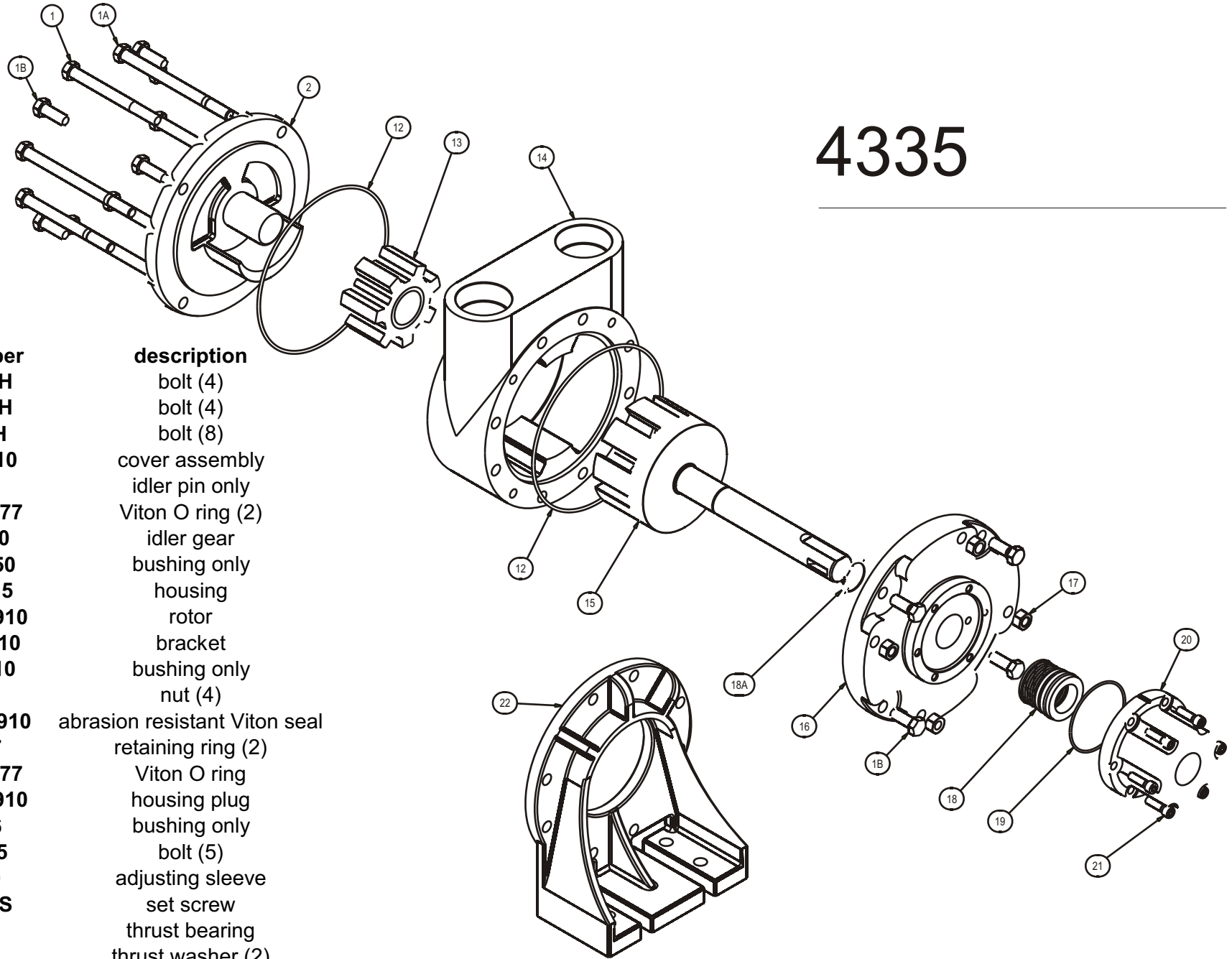




TUTHILL PUMP GROUP - LUBETECH PARTS LIST

4335



item	part number	description
1	P102-12-H	bolt (4)
1A	P102-24-H	bolt (4)
1B	P102-2-H	bolt (8)
2	5MU6-8910 5M31	cover assembly idler pin only
12	P701-224-77	Viton O ring (2)
13	5M5-8350 5M33-8350	idler gear bushing only
14	5CU22-1.5	housing
15	5C2B24-8910	rotor
16	5C2F2-8910 5M71-8910	bracket bushing only
17	P203-4	nut (4)
18	5C1B9-7-8910	abrasion resistant Viton seal
18A	P206-37	retaining ring (2)
19	P701-223-77	Viton O ring
20	5C2B68-8910 P612-16	housing plug bushing only
21	P105-115	bolt (5)
22	5C1B79	adjusting sleeve
23	P103-57-S	set screw
24	P651-5	thrust bearing
25	P804-4	thrust washer (2)
26	P941-53	lip seal
27	5C81	optional mounting foot



TUTHILL PUMP GROUP - LUBETECH PARTS LIST

4335

Relief Valve Option

item	part number	description
1	P102-11-H	bolt (3)
1A	P102-18-H	boly (3)
1B	P102-2-H	bolt (3)
1C	P102-22-H	bolt (1)
1D	P102-27-H	bolt (1)
1E	P102-34-H	bolt (1)
2D	5CV6-C	clockwise cover assy
	5CV6-C	counterclockwise assy
	5M31	idler pin only
3	5CV58-X775	plunger
4	3CV63-4	spring 30-225 psi (std)
	3CV63-5	spring 20-150 psi
	3CV63-6	spring 45-250 psi
5	P701-154-77	Viton O ring
5A	P701-112-77	Viton O ring
6	5CV56	plug
7	P350-5	ball
8	3CV63	pilot spring
9	P203-15	nut
10	P701-10-77	optional Viton O ring
11	3CV527	adjusting screw

