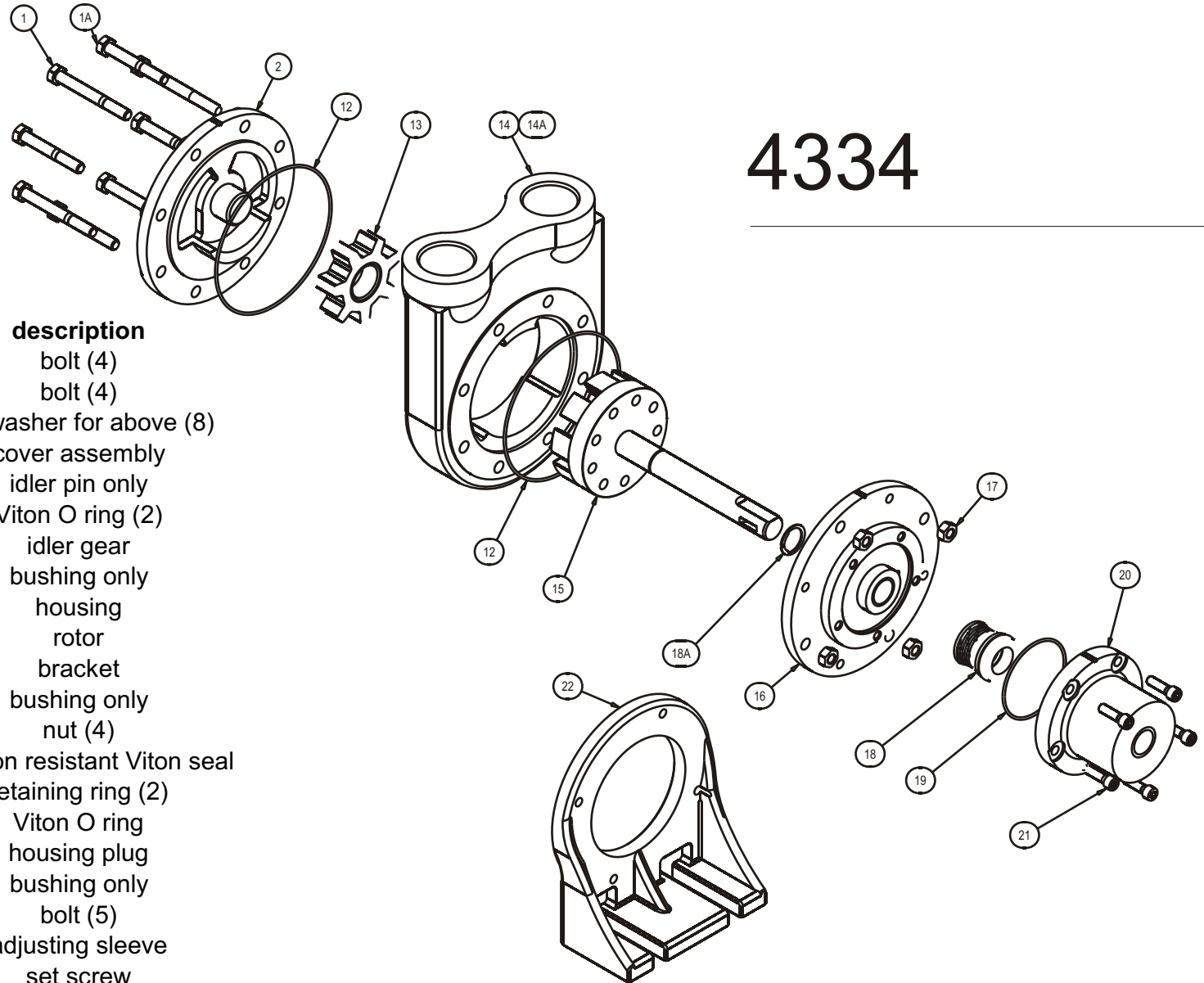




TUTHILL PUMP GROUP - LUBETECH PARTS LIST

4334



item	part number	description
1	P101-13-H	bolt (4)
1A	P101-4-H	bolt (4)
	P802-4	lockwasher for above (8)
2	4MU6-8910	cover assembly
	4M31	idler pin only
12	P701-221-77	Viton O ring (2)
13	4M5-8350	idler gear
	4M33-8350	bushing only
14	4CU22-1.5	housing
15	4C2B24-8910	rotor
16	3C2F2-8910	bracket
	3M71-8910	bushing only
17	P203-5	nut (4)
18	3C1B9-7-8910	abrasion resistant Viton seal
18A	P206-36-S	retaining ring (2)
19	P701-222-77	Viton O ring
20	3C2B68-8910	housing plug
	P612-20	bushing only
21	P105-115	bolt (5)
22	3C1B79	adjusting sleeve
23	P103-57-S	set screw
24	P651-4	thrust bearing
25	P804-3	thrust washer (2)
26	P941-52	lip seal
27	3C81	optional mounting foot



TUTHILL PUMP GROUP - LUBETECH PARTS LIST

item	part number	description
1	P101-2-H	bolt (2)
1B	P101-22-H	bolt (2)
1C	P101-23-H	bolt (1)
1D	P101-5-H	bolt (3)
2D	4CV6-C	clockwise cover assy
	4CV6-CC	counterclockwise assy
	4M31	idler pin only
3	3CV58-X775	plunger
4	3CV63-4	spring 30-225 psi (std)
	3CV63-5	spring 20-150 psi
	3CV63-6	spring 45-250 psi
5	P701-129-77	Viton O ring
5A	P701-127-77	Viton O ring
6	3CV56	plug
7	P350-5	ball
8	3CV63	pilot spring
9	P701-10-77	Viton O ring
10	3CV527	adjusting screw
11	P203-15	nut

4334

Relief Valve Option

