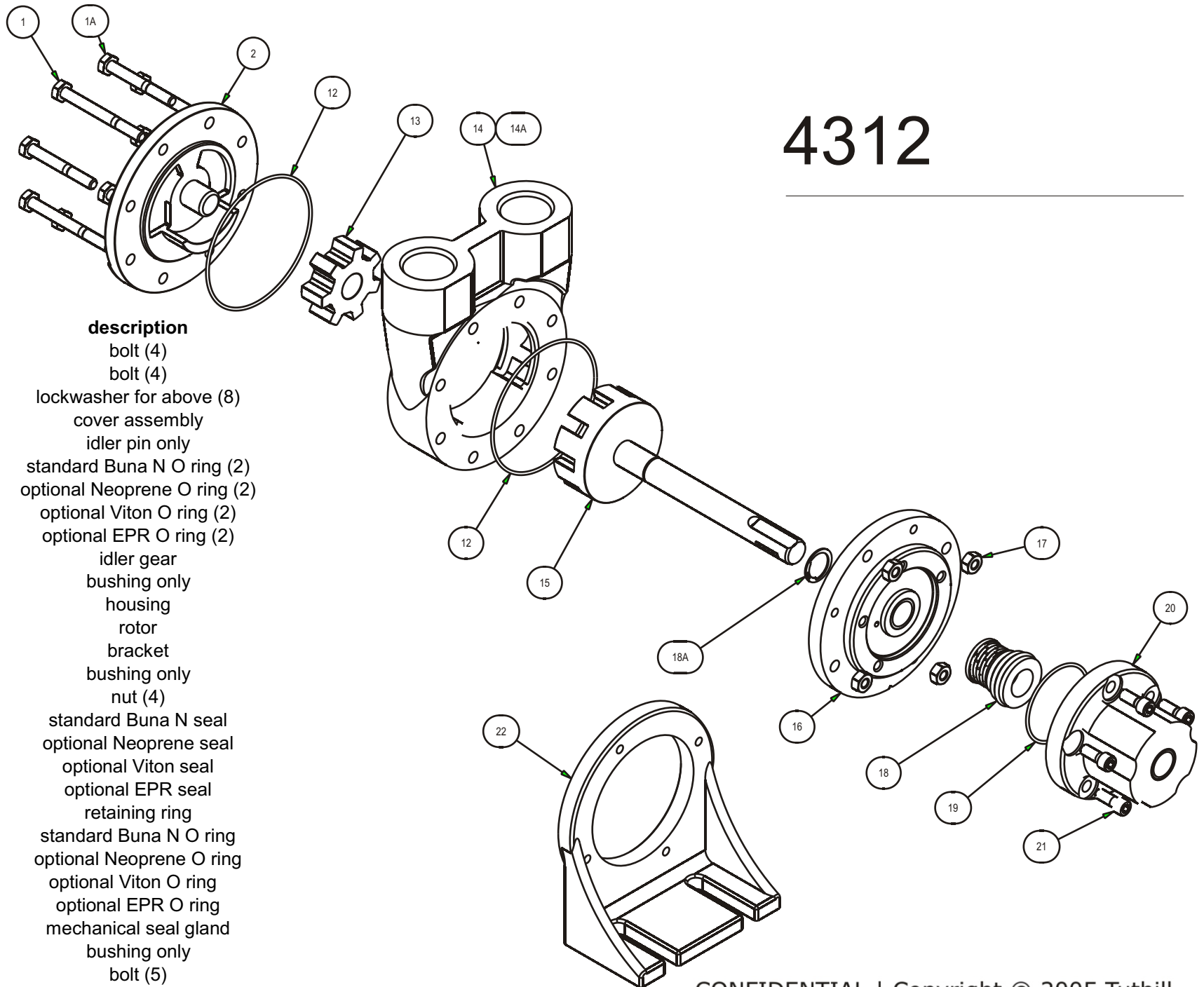




TUTHILL PUMP GROUP - LUBETECH PARTS LIST

4312

item	part number	description
1	P100-17-H	bolt (4)
1A	P100-2-H	bolt (4)
	P802-5	lockwasher for above (8)
2	2MU6	cover assembly
	2M31	idler pin only
12	P701-93-37	standard Buna N O ring (2)
	P701-93-57	optional Neoprene O ring (2)
	P701-93-77	optional Viton O ring (2)
	P701-93-87	optional EPR O ring (2)
13	2M5-8350	idler gear
	2M33-8350	bushing only
14	2CU22-1.0	housing
15	2C2B24	rotor
16	2C2F2-CR	bracket
	2CF71-8350	bushing only
17	P203-6	nut (4)
18	2C1B9	standard Buna N seal
	2C1B9-5	optional Neoprene seal
	2C1B9-7	optional Viton seal
	2C1B9-8	optional EPR seal
18A	P206-27	retaining ring
19	P701-213-37	standard Buna N O ring
	P701-213-57	optional Neoprene O ring
	P701-213-77	optional Viton O ring
	P701-213-87	optional EPR O ring
20	2C2B68	mechanical seal gland
	P612-18	bushing only
21	P105-115	bolt (5)
22	2C81	optional mounting foot



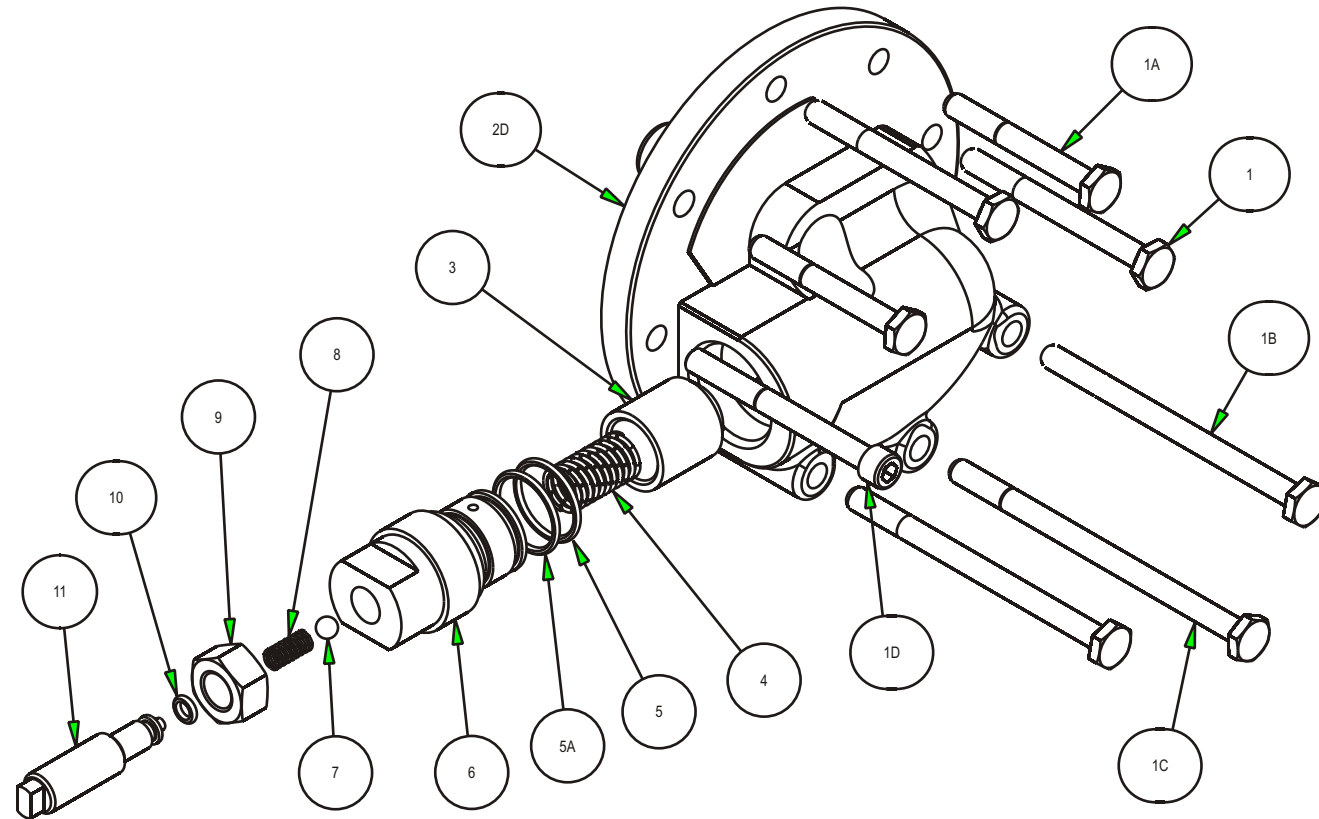


TUTHILL PUMP GROUP - LUBETECH PARTS LIST

item	part number	description
1	P100-17-H	bolt (2)
1A	P100-2-H	bolt (2)
1B	P100-12-H	bolt (2)
1C	P100-26-H	bolt (1)
	P802-5	lockwasher for above (8)
1D	P105-88	bolt
2D	2C2V6-C	clockwise cover assy
	2M31	idler pin only
3	2CV58-A	plunger
4	2CV63-2	spring 10-200 psi
5	P701-129-37	standard Buna N O ring
	P701-129-57	optional Neoprene O ring
	P701-129-77	optional Viton O ring
	P701-129-87	optional EPR O ring
5A	P701-92-37	standard Buna N O ring
	P701-92-57	optional Neoprene O ring
	P701-92-77	optional Viton O ring
	P701-92-87	optional EPR O ring
6	2CV56	plug
7	P350-5	ball
8	2CV63-B	pilot spring
9	P203-15	nut
10	P701-10-37	standard Buna N O ring
	P701-10-57	optional Neoprene O ring
	P701-10-77	optional Viton O ring
	P701-10-87	optional EPR O ring
11	2CV527-A	adjusting screw

4312

Relief Valve Option





TUTHILL PUMP GROUP - LUBETECH PARTS LIST

4312

Ball Bearing Option

item	part number	description
20A	2C2BN68	mechanical seal gland
20B	P602-17	ball bearing
21	P105-115	bolt (5)

