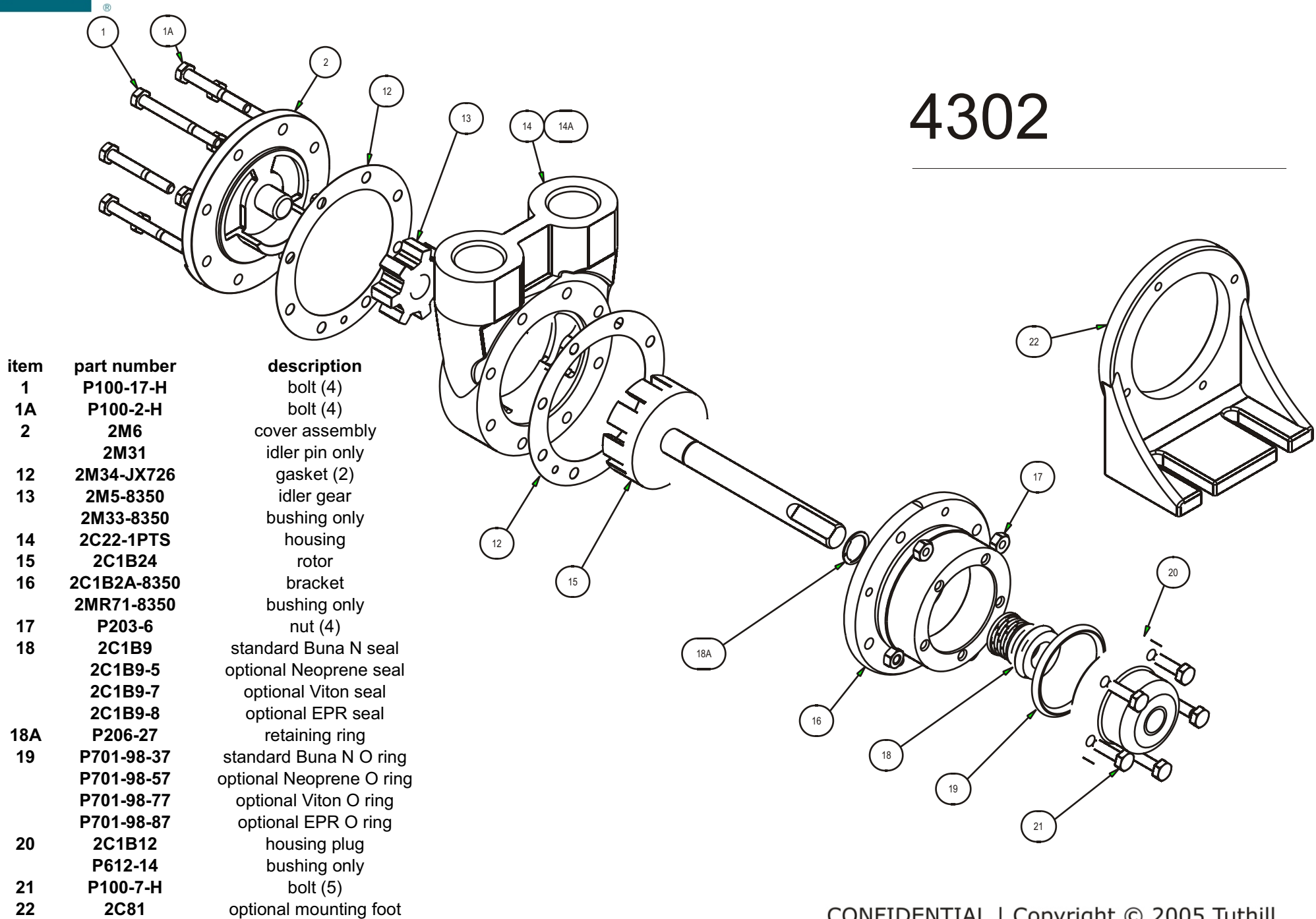




TUTHILL PUMP GROUP - LUBETECH PARTS LIST

4302



item	part number	description
1	P100-17-H	bolt (4)
1A	P100-2-H	bolt (4)
2	2M6 2M31	cover assembly idler pin only
12	2M34-JX726	gasket (2)
13	2M5-8350	idler gear
14	2M33-8350	bushing only
15	2C22-1PTS	housing
16	2C1B24	rotor
17	2C1B2A-8350	bracket
18	2MR71-8350	bushing only
18A	P203-6	nut (4)
19	2C1B9 2C1B9-5 2C1B9-7 2C1B9-8	standard Buna N seal optional Neoprene seal optional Viton seal optional EPR seal
20	P206-27	retaining ring
21	P701-98-37 P701-98-57 P701-98-77 P701-98-87	standard Buna N O ring optional Neoprene O ring optional Viton O ring optional EPR O ring
22	2C1B12 P612-14	housing plug bushing only
	P100-7-H	bolt (5)
	2C81	optional mounting foot



TUTHILL PUMP GROUP - LUBETECH PARTS LIST

item	part number	description
1	P100-17-H	bolt (2)
1A	P100-2-H	bolt (2)
1B	P100-12-H	bolt (2)
1C	P100-26-H	bolt (1)
	P802-5	lockwasher for above (7)
1D	P105-87	bolt
2D	2CV6-C	clockwise cover assy
	2M31	idler pin only
3	2CV58-A	plunger
4	2CV63-2	spring 10-200 psi
5	P701-129-37	standard Buna N O ring
	P701-129-57	optional Neoprene O ring
	P701-129-77	optional Viton O ring
	P701-129-87	optional EPR O ring
5A	P701-92-37	standard Buna N O ring
	P701-92-57	optional Neoprene O ring
	P701-92-77	optional Viton O ring
	P701-92-87	optional EPR O ring
6	2CV56	plug
7	P350-5	ball
8	2CV63-B	pilot spring
9	P203-15	nut
10	P701-10-37	standard Buna N O ring
	P701-10-57	optional Neoprene O ring
	P701-10-77	optional Viton O ring
	P701-10-87	optional EPR O ring
11	2CV527-A	adjusting screw

4302

Relief Valve Option

