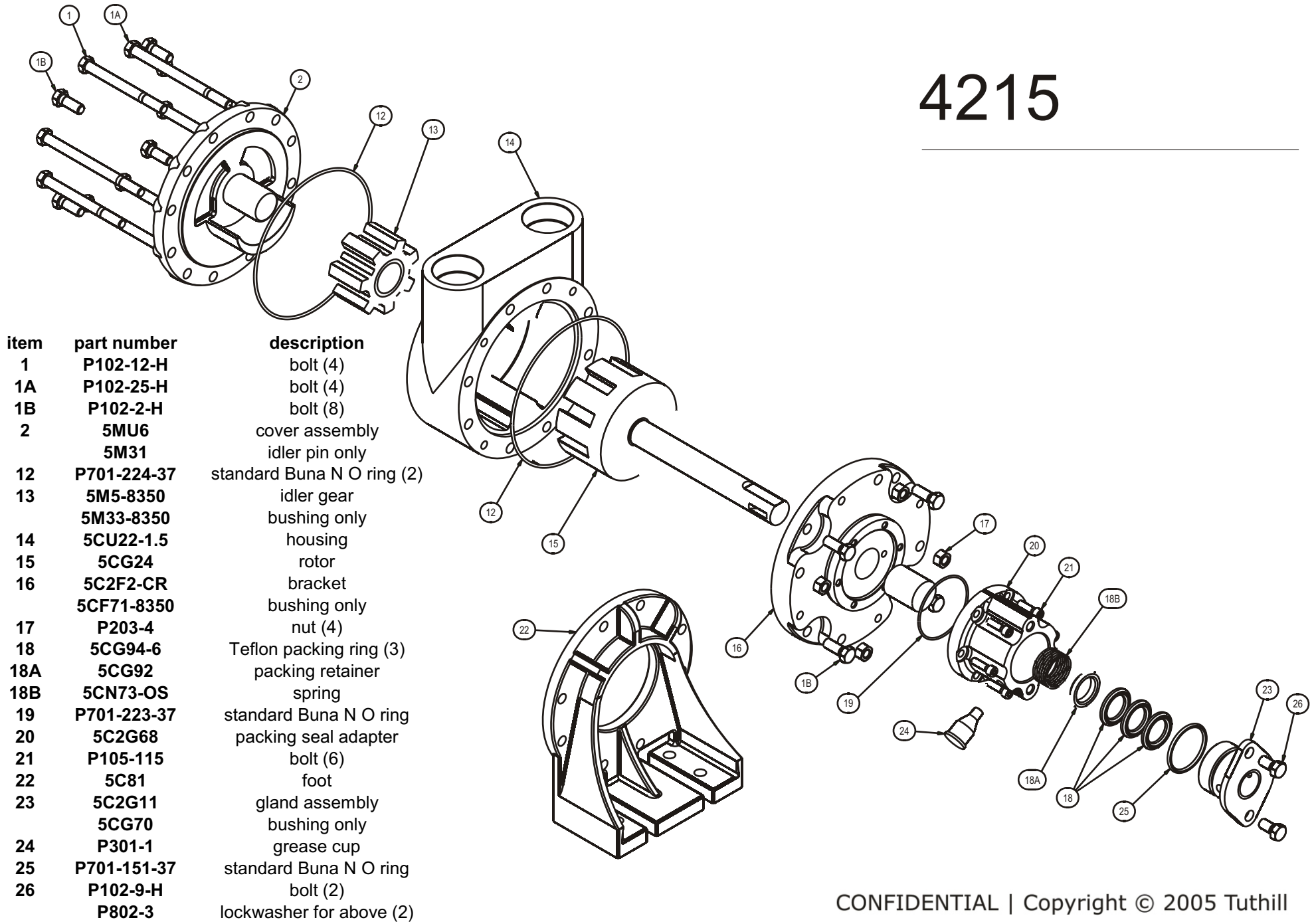




# TUTHILL PUMP GROUP - LUBETECH PARTS LIST

## 4215



item	part number	description
1	P102-12-H	bolt (4)
1A	P102-25-H	bolt (4)
1B	P102-2-H	bolt (8)
2	5MU6 5M31	cover assembly idler pin only
12	P701-224-37	standard Buna N O ring (2)
13	5M5-8350 5M33-8350	idler gear bushing only
14	5CU22-1.5	housing
15	5CG24	rotor
16	5C2F2-CR 5CF71-8350	bracket bushing only
17	P203-4	nut (4)
18	5CG94-6	Teflon packing ring (3)
18A	5CG92	packing retainer
18B	5CN73-OS	spring
19	P701-223-37	standard Buna N O ring
20	5C2G68	packing seal adapter
21	P105-115	bolt (6)
22	5C81	foot
23	5C2G11 5CG70	gland assembly bushing only
24	P301-1	grease cup
25	P701-151-37	standard Buna N O ring
26	P102-9-H P802-3	bolt (2) lockwasher for above (2)



# TUTHILL PUMP GROUP - LUBETECH PARTS LIST

item	part number	description
1	P102-12-H	bolt (3)
1A	P102-25-H	bolt (3)
1B	P102-2-H	bolt (7)
1C	P102-22-H	bolt
1D	P102-6-H	bolt
1E	P102-34-H	bolt
2D	5C2V6-C	clockwise cover assy
	5C2V6-CC	counterclockwise assy
	5M31	idler pin only
3	5CV58-X775	plunger
4	3CV63-4	spring 30-225 psi (std)
	3CV63-5	spring 20-150 psi
	3CV63-6	spring 45-250 psi
5	P701-112-37	standard Buna N O ring
	P701-112-77	optional Viton O ring
5A	P701-154-37	standard Buna N O ring
	P701-154-77	optional Viton O ring
6	5CV56	plug
7	P350-5	ball
8	3CV63	pilot spring
9	P203-15	nut
10	P701-10-37	standard Buna N O ring
11	3CV527	adjusting screw

## 4215

### Relief Valve Option

