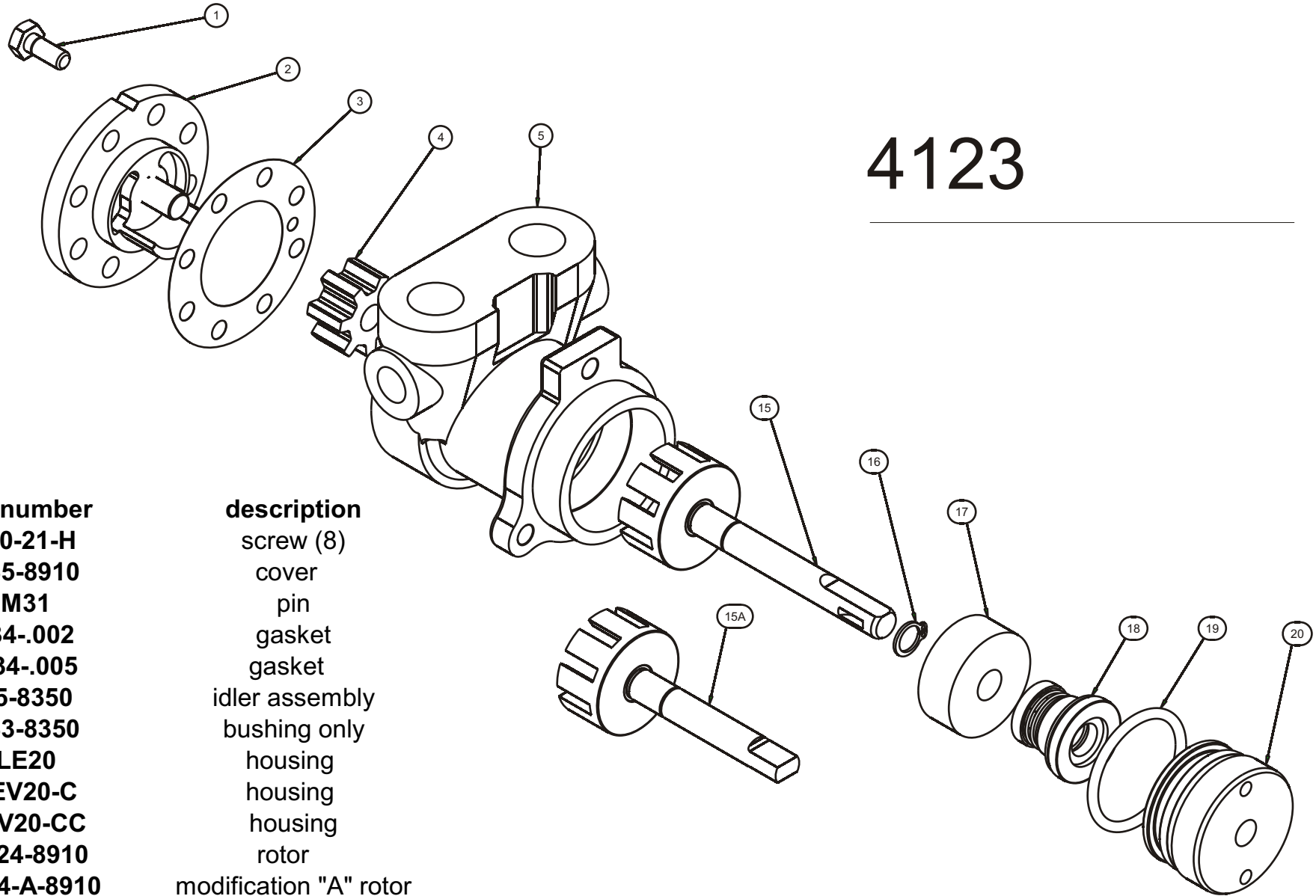




# TUTHILL PUMP GROUP - LUBETECH PARTS LIST

## 4123



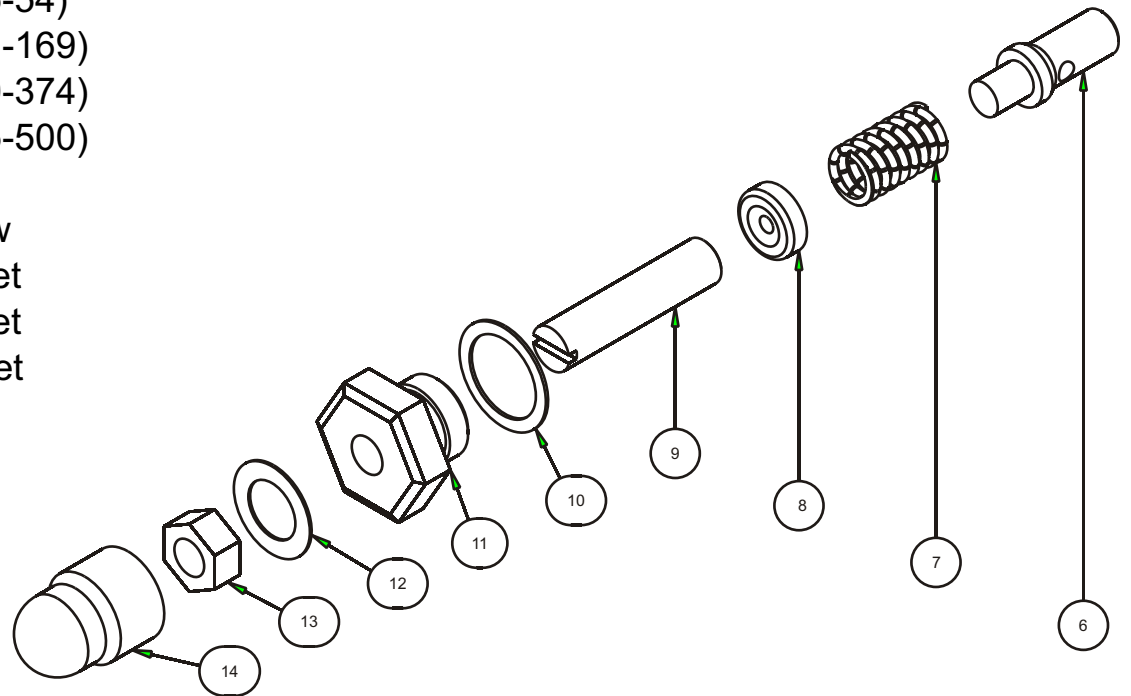
item	part number	description
1	P100-21-H	screw (8)
2	0L35-8910	cover
	1M31	pin
3	0B34-.002	gasket
	0B34-.005	gasket
4	0L5-8350	idler assembly
	0L33-8350	bushing only
5	0LE20	housing
	0LEV20-C	housing
	0LEV20-CC	housing
15	0LE24-8910	rotor
15a	0LE24-A-8910	modification "A" rotor
16	P206-34	retaining ring
17	1LA71-8910	bushing
18	1LA9-7-8910	Viton seal
19	P701-34-77	Viton O ring
20	1LA11	housing plug



## 4123

### Relief Valve Option

item	part number	description
6	0LWV58-X201	plunger
7	0LWV63	standard spring (55-120)
	0C62-X201	optional spring (25-34)
	0C62-X299	optional spring (35-54)
	0LWVH63	optional spring (121-169)
	0LPV63	optional spring (170-374)
	0LV63X	optional spring (375-500)
8	30EN92	retainer
9	P103-11	adjusting screw
10	30F64-X201	valve cap gasket
11	0LWV56	valve cap gasket
12	30LE64-A	cap cover gasket
13	30LE528	nut
14	30LE56	acorn nut





# 4123

## Ball Bearing Option

item	part number	description
20a	1LAK37	housing plug (K)
20b	0LK511-E	ball bearing (K)

