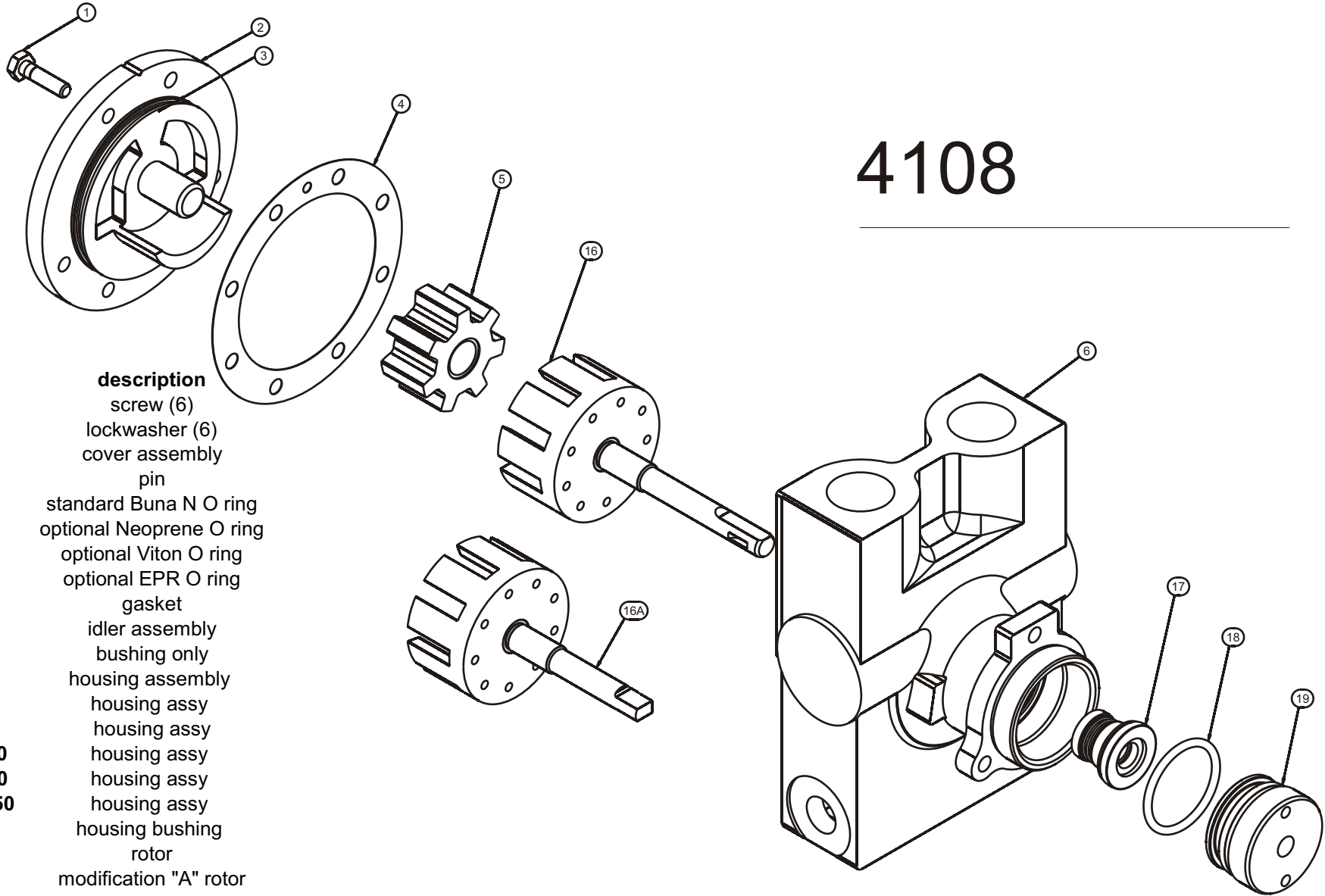




TUTHILL PUMP GROUP - LUBETECH PARTS LIST

4108



| item | part number | description |
|------|----------------|--------------------------|
| 1 | P100-6-H | screw (6) |
| | P802-5 | lockwasher (6) |
| 2 | 5LE6 | cover assembly |
| | 2R31 | pin |
| 3 | P701-173-37 | standard Buna N O ring |
| | P701-173-57 | optional Neoprene O ring |
| | P701-173-77 | optional Viton O ring |
| | P701-173-88 | optional EPR O ring |
| 4 | 2M34-JX726 | gasket |
| 5 | 5LE5-8350 | idler assembly |
| | 5LE33-8350 | bushing only |
| 6 | 5LE2-8350 | housing assembly |
| | 5LES2-8350 | housing assy |
| | 5LEV2-C-8350 | housing assy |
| | 5LESV2-C-8350 | housing assy |
| | 5LEV2-CC-8350 | housing assy |
| | 5LESV2-CC-8350 | housing assy |
| | 5LER71-8350 | housing bushing |
| 16 | 5LE24 | rotor |
| 16a | 5LE24-A | modification "A" rotor |
| 17 | 1LA9 | standard Buna N seal |
| | 1LA9-5 | optional Neoprene seal |
| | 1LA9-7 | optional Viton seal |
| | 1LA9-8 | optional EPR seal |
| 18 | P701-34-37 | standard Buna N O ring |
| | P701-34-57 | optional Neoprene O ring |
| | P701-34-77 | optional Viton o ring |
| | P701-34-87 | optional EPR O ring |
| 19 | 1LA11 | housing plug |

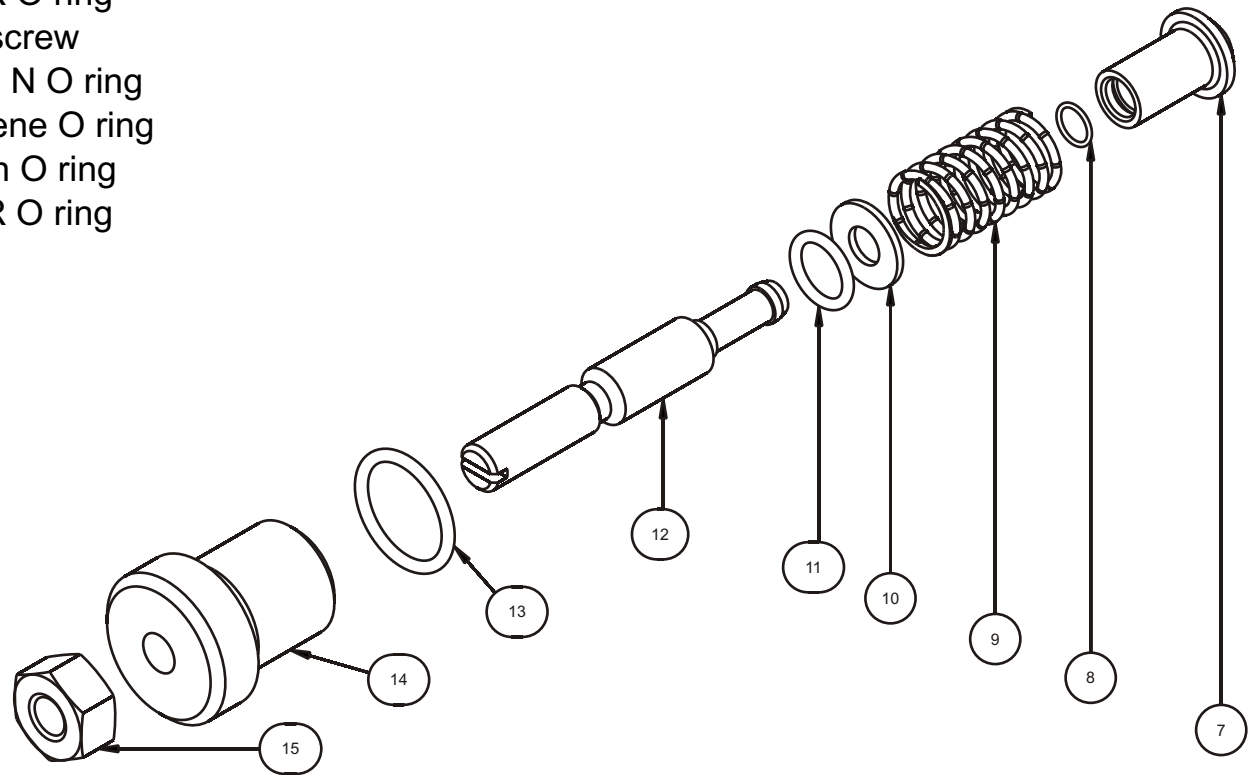


TUTHILL PUMP GROUP - LUBETECH PARTS LIST

| item | part number | description |
|------|-------------|--------------------------|
| 7 | 5LEV58 | plunger |
| 8 | 5LEV77 | retainer |
| 9 | P615-14 | standard spring (40-70) |
| | 5LE63 | optional spring (70-225) |
| 10 | P800-9 | valve cap gasket |
| 11 | P701-14-37 | standard Buna N O ring |
| | P701-14-57 | optional Neoprene O ring |
| | P701-14-77 | optional Viton O ring |
| | P701-14-87 | optional EPR O ring |
| 12 | 5LEV527 | adjusting screw |
| 13 | P701-129-37 | standard Buna N O ring |
| | P701-129-57 | optional Neoprene O ring |
| | P701-129-77 | optional Viton O ring |
| | P701-129-87 | optional EPR O ring |
| 14 | 5LEV56 | plug |
| 15 | 30LE528 | nut |

4108

Relief Valve Option





4108

Ball Bearing Option

| item | part number | description |
|------|-------------|------------------|
| 19a | 1LAK37 | housing plug (K) |
| 19b | 0LK511-E | ball bearing (K) |

