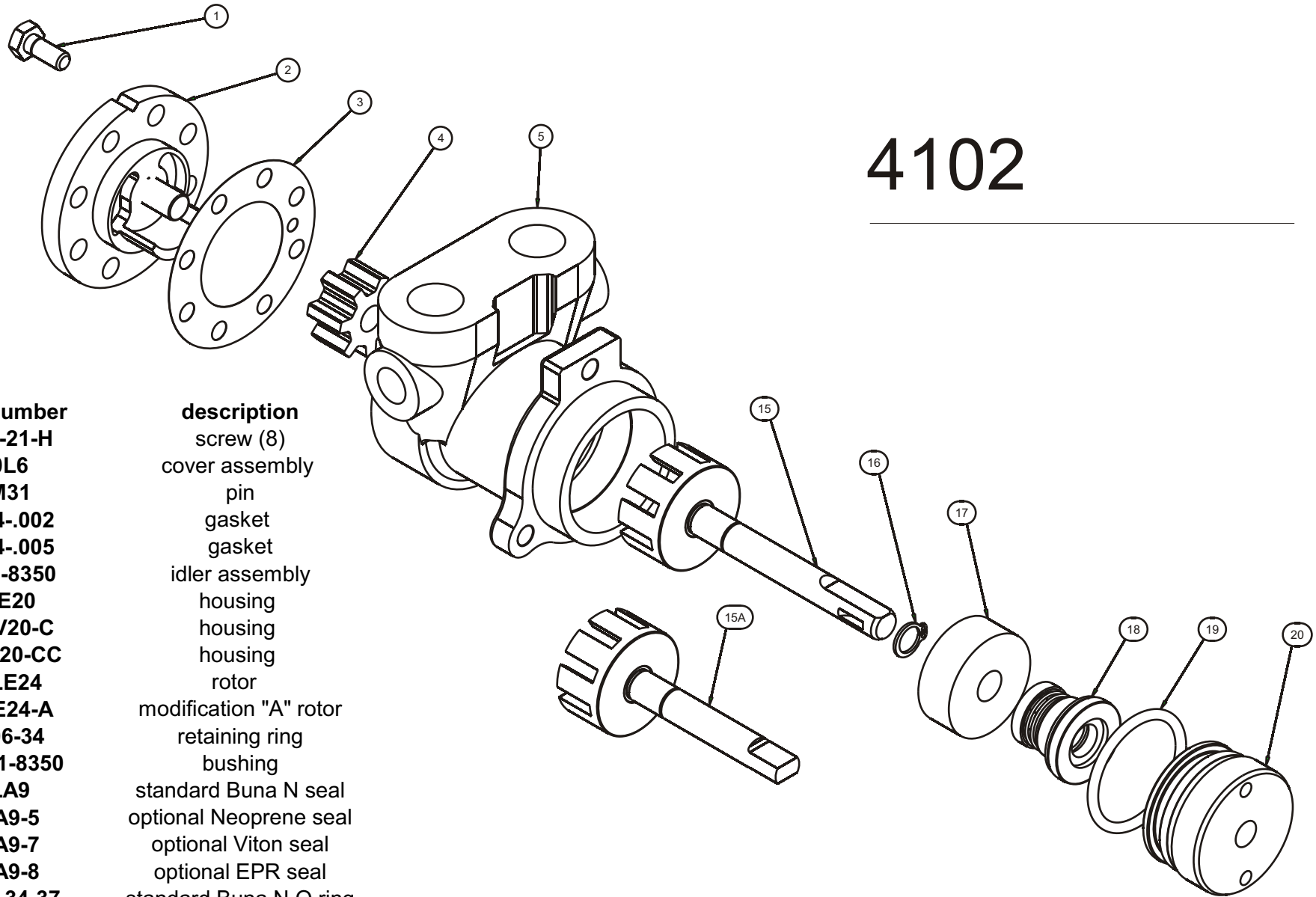




# TUTHILL PUMP GROUP - LUBETECH PARTS LIST

## 4102



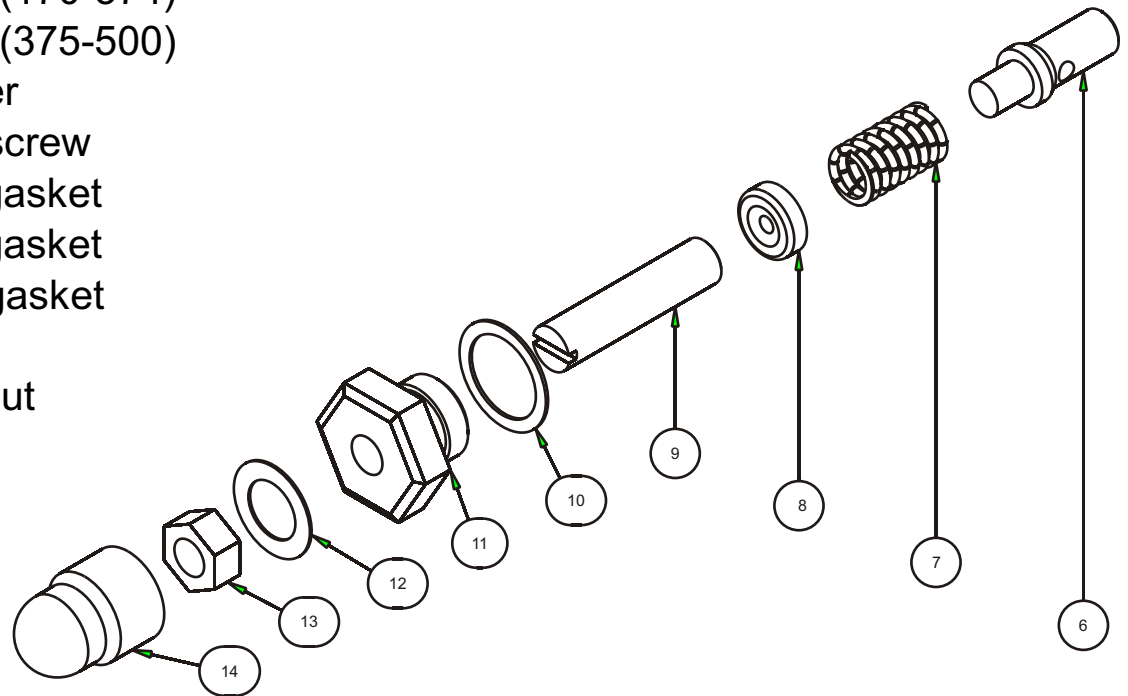
item	part number	description
1	P100-21-H	screw (8)
2	00L6	cover assembly
	1M31	pin
3	0B34-.002	gasket
	0B34-.005	gasket
4	00L5-8350	idler assembly
5	0LE20	housing
	0LEV20-C	housing
	0LEV20-CC	housing
15	00LE24	rotor
15a	00LE24-A	modification "A" rotor
16	P206-34	retaining ring
17	1LA71-8350	bushing
18	1LA9	standard Buna N seal
	1LA9-5	optional Neoprene seal
	1LA9-7	optional Viton seal
	1LA9-8	optional EPR seal
19	P701-34-37	standard Buna N O ring
	P701-34-57	optional Neoprene O ring
	P701-34-77	optional Viton O ring
	P701-34-87	optional EPR O ring
20	1LA11	housing plug



## 4102

### Relief Valve Option

item	part number	description
6	0LWV58-X201	plunger
7	0LWV63	standard spring (55-120)
	0C62-X201	optional spring (25-34)
	0C62-X299	optional spring (35-54)
	0LWVH63	optional spring (121-169)
	0LPV63	optional spring (170-374)
	0LV63X	optional spring (375-500)
8	30EN92	retainer
9	P103-11	adjusting screw
10	30F64-X201	valve cap gasket
11	0LWV56	valve cap gasket
12	30LE64-A	cap cover gasket
13	30LE528	nut
14	30LE56	acorn nut





item	part number	description
20a	1LAK37	housing plug (K)
20b	0LK511-E	ball bearing (K)

# 4102

Ball Bearing Option

