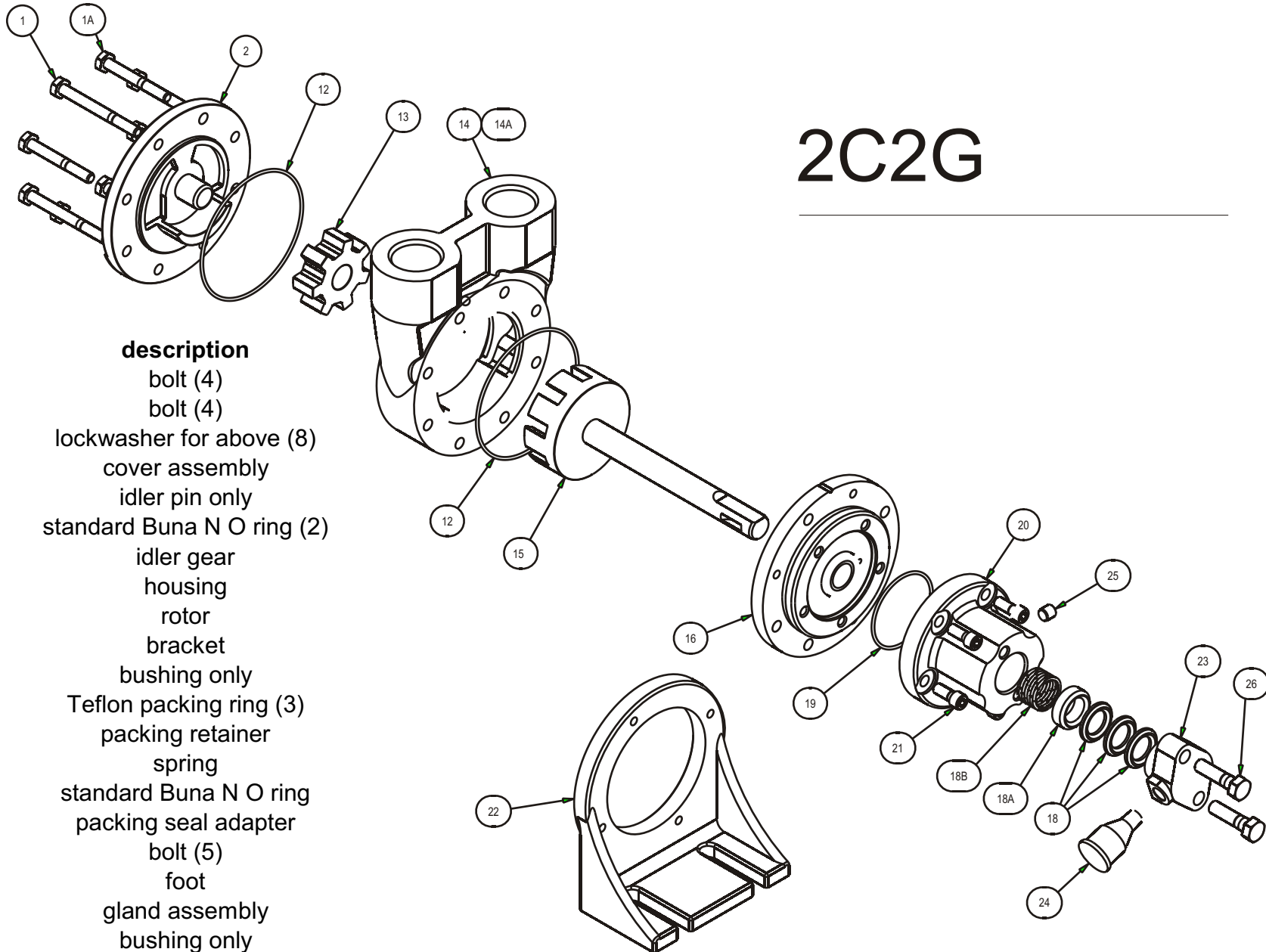




# TUTHILL PUMP GROUP - LUBETECH PARTS LIST

## 2C2G



item	part number	description
1	P100-17-H	bolt (4)
1A	P100-2-H	bolt (4)
	P802-5	lockwasher for above (8)
2	2MU6	cover assembly
	2M31	idler pin only
12	P701-93-37	standard Buna N O ring (2)
13	2M32-1	idler gear
14	2CU22-1.0	housing
15	2CG24	rotor
16	2C2F2	bracket
	2MR71	bushing only
18	2CG94-6	Teflon packing ring (3)
18A	2CG92	packing retainer
18B	2CN73-OS	spring
19	P701-213-37	standard Buna N O ring
20	2C2G68	packing seal adapter
21	P105-115	bolt (5)
22	2C81	foot
23	2CG7	gland assembly
	2CG70	bushing only
24	P300-1	grease cup
25	P400-18	pipe plug
26	P101-8-H	bolt (2)
	P802-4	lockwasher for above (2)

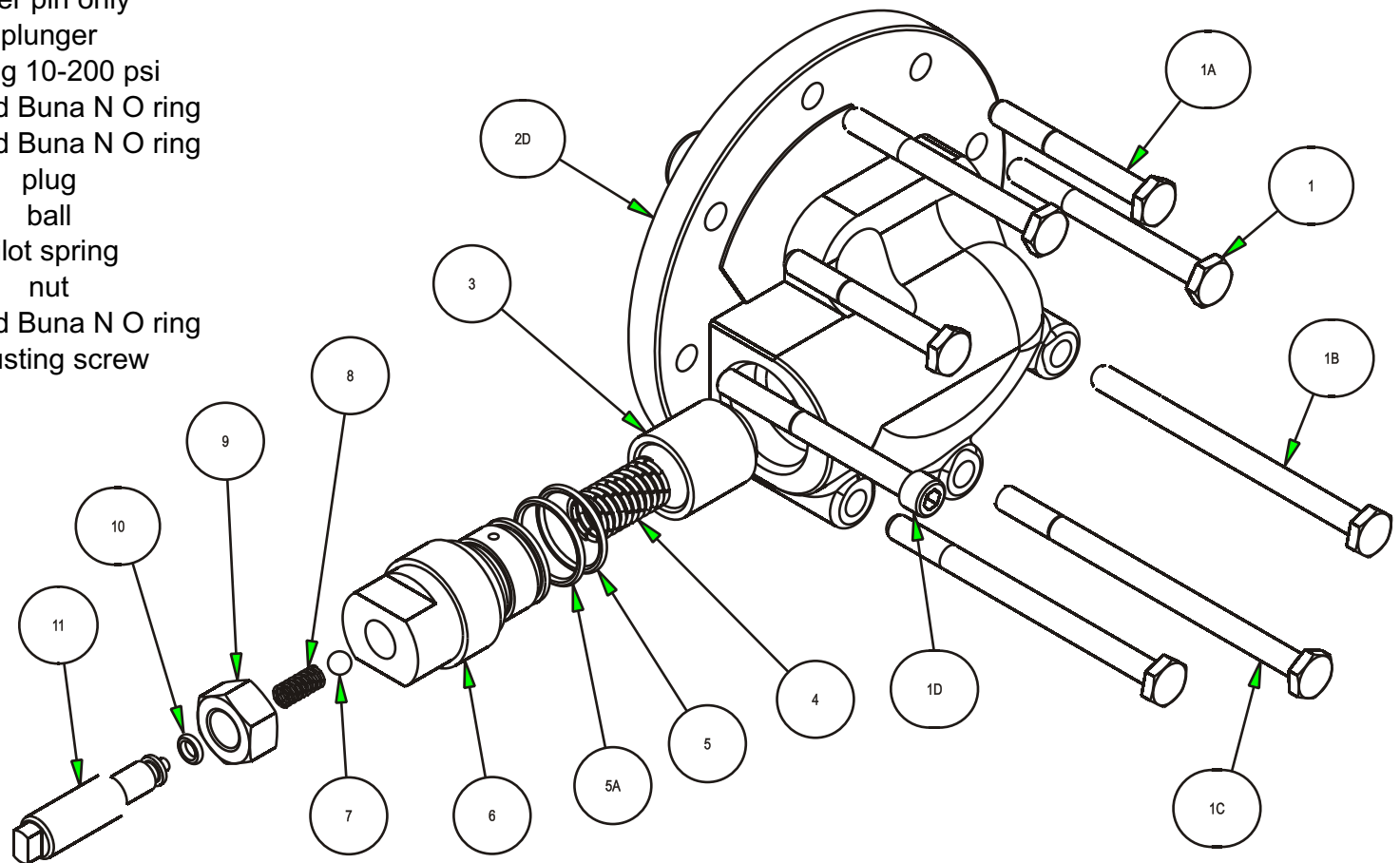


# TUTHILL PUMP GROUP - LUBETECH PARTS LIST

item	part number	description
1	P100-17-H	bolt (2)
1A	P100-2-H	bolt (2)
1B	P100-12-H	bolt (2)
1C	P100-26-H	bolt
1D	P105-88	bolt
2D	2C2V6-C	clockwise cover assy
	2M31	idler pin only
3	2CV58-A	plunger
4	2CV63-2	spring 10-200 psi
5	P701-129-37	standard Buna N O ring
5A	P701-92-37	standard Buna N O ring
6	2CV56	plug
7	P350-5	ball
8	2CV63-B	pilot spring
9	P203-15	nut
10	P701-10-37	standard Buna N O ring
11	2CV527-A	adjusting screw

## 2C2G

### Relief Valve Option





# 2C2G

## Reversing Option

item	part number	description
2A	2RU35	cover
2B	2R80-A	spring
2C	2R6	carrier assembly
	2R31	idler pin only
14A	2RCU22-1.0	housing (housing not shown)

