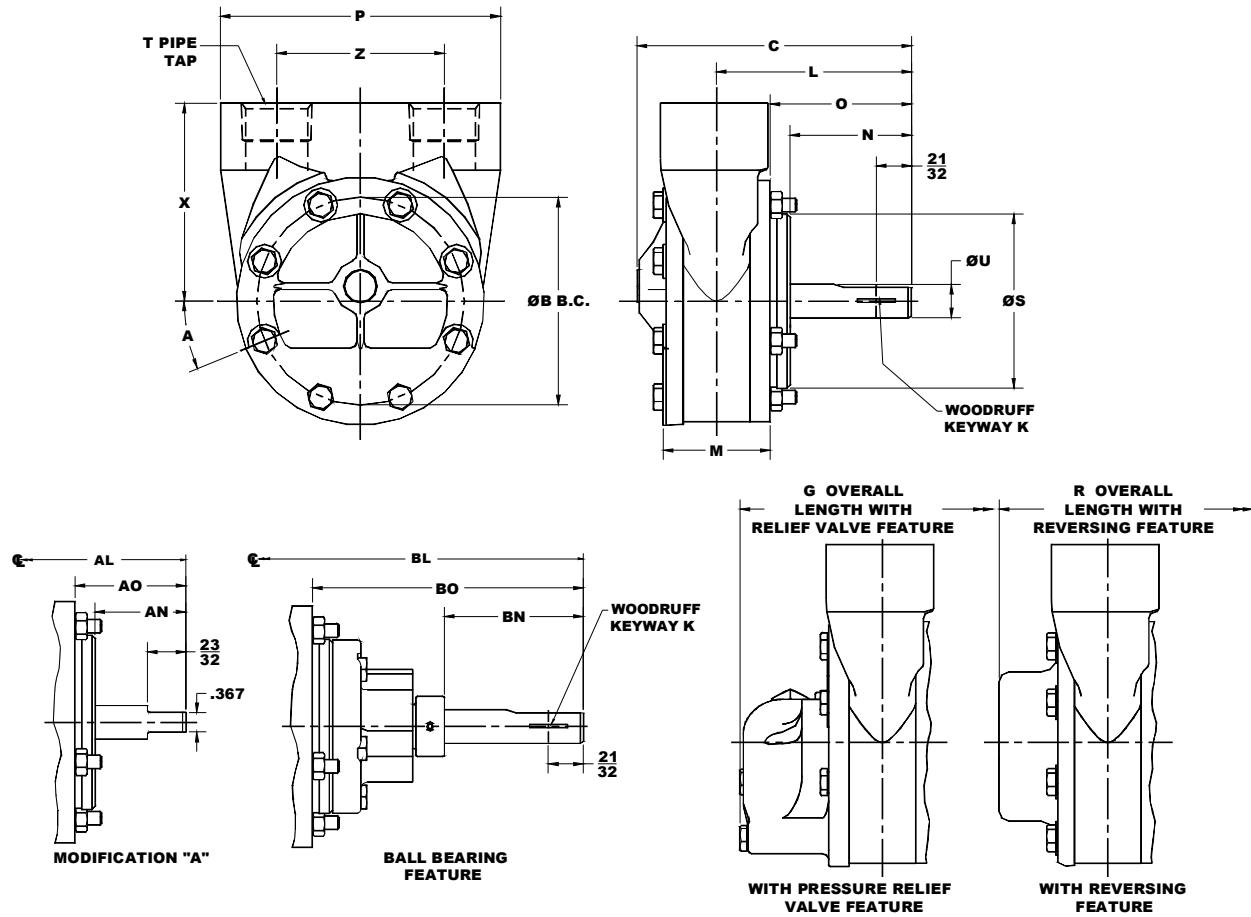


2C2FA-6C2FA Pump Mounting Dimensions



Model	A	B	C	R	G	K	L	M	N	O	P	S
2C2FA	22 1/2°	3 7/8	5 1/8	5 21/32	6 7/32	#406	3 5/8	2	2 1/8	2 5/8	5 7/32	3 1/4
3C2FA	22 1/2°	5 1/8	6 17/32	6 7/8	7 17/32	#606	4 13/16	2 5/16	2 19/32	3 7/16	6 5/8	3 3/4
4C2FA	22 1/2°	5 1/8	7 27/32	7 9/16	8 7/32	#606	4 29/32	3	2 19/32	3 7/16	6 1/2	3 3/4
5C2FA	17°	6 5/8	9 1/16	11 5/8	10 1/4	#808	5 3/4	4 5/16	2 3/4	3 3/8	7 1/2	3 3/4
6C2FA	17°	6 5/8	9 1/2	12 1/8	10 3/4	#808	6	4 13/16	2 3/4	3 3/8	8 1/8	3 3/4

Model	T	U	X	Z	AL	AN	AO	BL	BN	BO
2C2FA	1" NPT	5/8	3 11/16	3 1/8	3 1/16	1 9/16	2 1/16	6 1/16	2 19/32	5 1/32
3C2FA	1 1/4" NPT	3/4	4 7/8	4 1/8	3 7/16	1 7/32	2 1/16	6 13/16	2 25/32	5 7/16
4C2FA	1 1/2" NPT	3/4	4 1/8	3 3/4	3 17/32	1 7/32	2 1/16	6 29/32	2 25/32	5 7/16
5C2FA	1 1/2" NPT	1	5	4 3/4	4 1/4	1 1/4	1 7/8	6 7/8	1 29/32	4 1/2
6C2FA	2" NPT	1	4 3/4	4 3/4	4 1/2	1 1/4	1 7/8	7 1/8	1 29/32	4 1/2