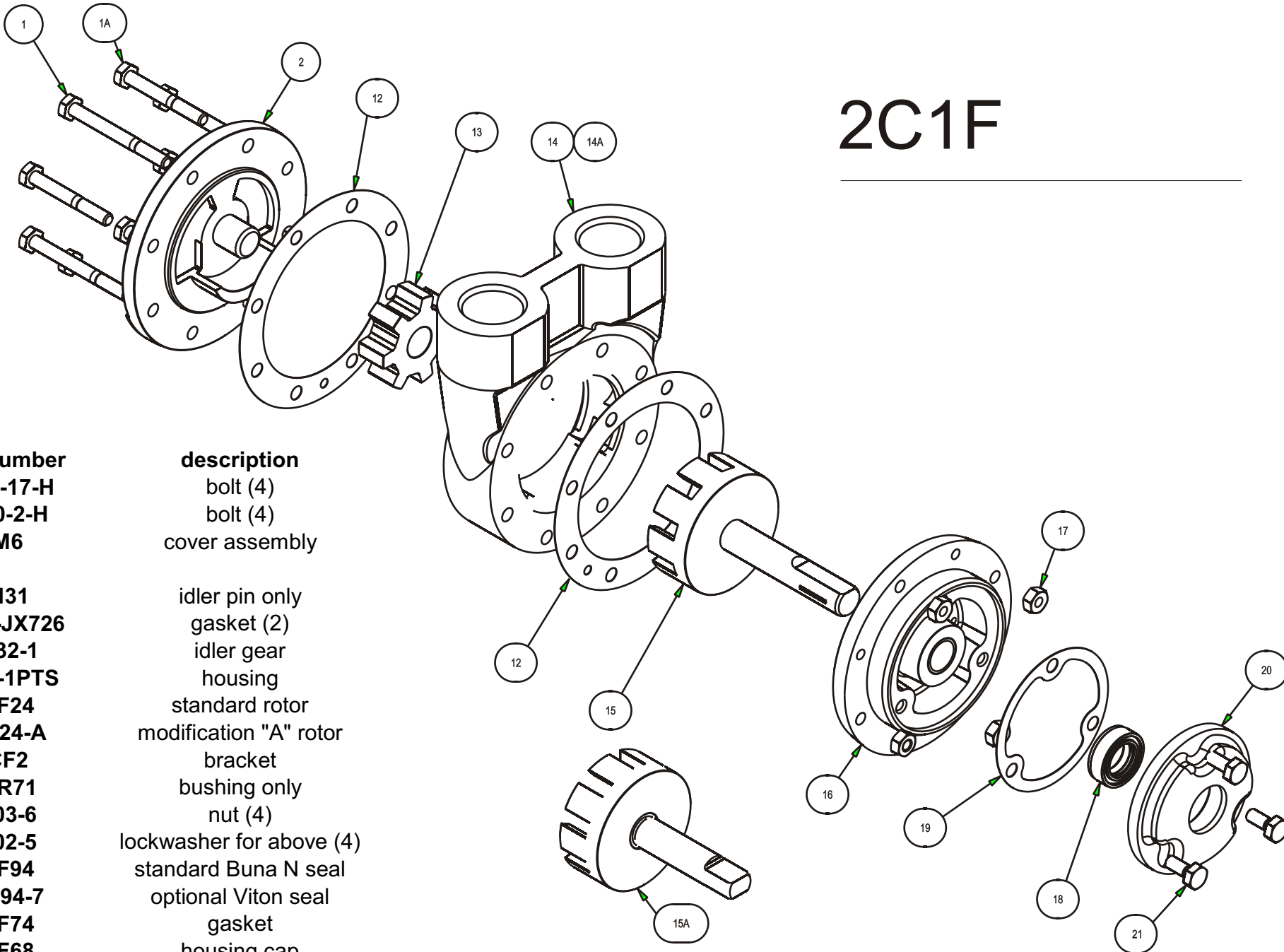




TUTHILL PUMP GROUP - LUBETECH PARTS LIST

2C1F



item	part number	description
1	P100-17-H	bolt (4)
1A	P100-2-H	bolt (4)
2	2M6	cover assembly
	2M31	idler pin only
12	2M34-JX726	gasket (2)
13	2M32-1	idler gear
14	2C22-1PTS	housing
15	2CF24	standard rotor
15A	2CF24-A	modification "A" rotor
16	2CF2	bracket
	2MR71	bushing only
17	P203-6	nut (4)
	P802-5	lockwasher for above (4)
18	2CF94	standard Buna N seal
	2CF94-7	optional Viton seal
19	2CF74	gasket
20	2CF68	housing cap
21	P100-21-H	bolt (3)

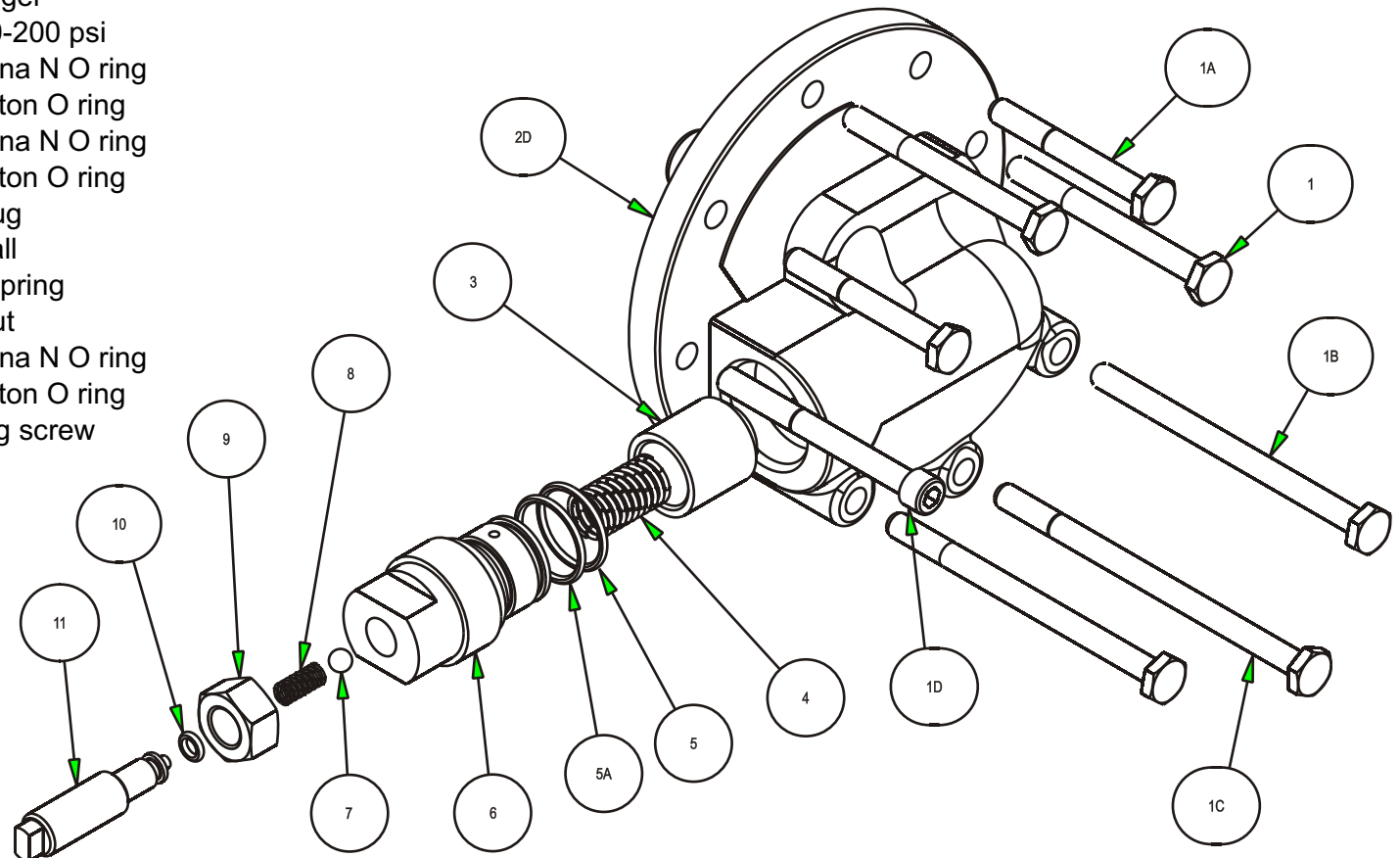


TUTHILL PUMP GROUP - LUBETECH PARTS LIST

item	part number	description
1	P100-17-H	bolt (2)
1A	P100-2-H	bolt (2)
1B	P100-12-H	bolt (2)
1C	P100-26-H	bolt (1)
1D	P105-88	bolt (1)
2D	2CV6-C	clockwise cover assy
	2M31	idler pin only
3	2CV58-A	plunger
4	2CV63-2	spring 10-200 psi
5	P701-129-37	standard Buna N O ring
	P701-129-77	optional Viton O ring
5A	P701-92-37	standard Buna N O ring
	P701-92-77	optional Viton O ring
6	2CV56	plug
7	P350-5	ball
8	2CV63-B	pilot spring
9	P203-15	nut
10	P701-10-37	standard Buna N O ring
	P701-10-77	optional Viton O ring
11	2CV527-A	adjusting screw

2C1F

Relief Valve Option

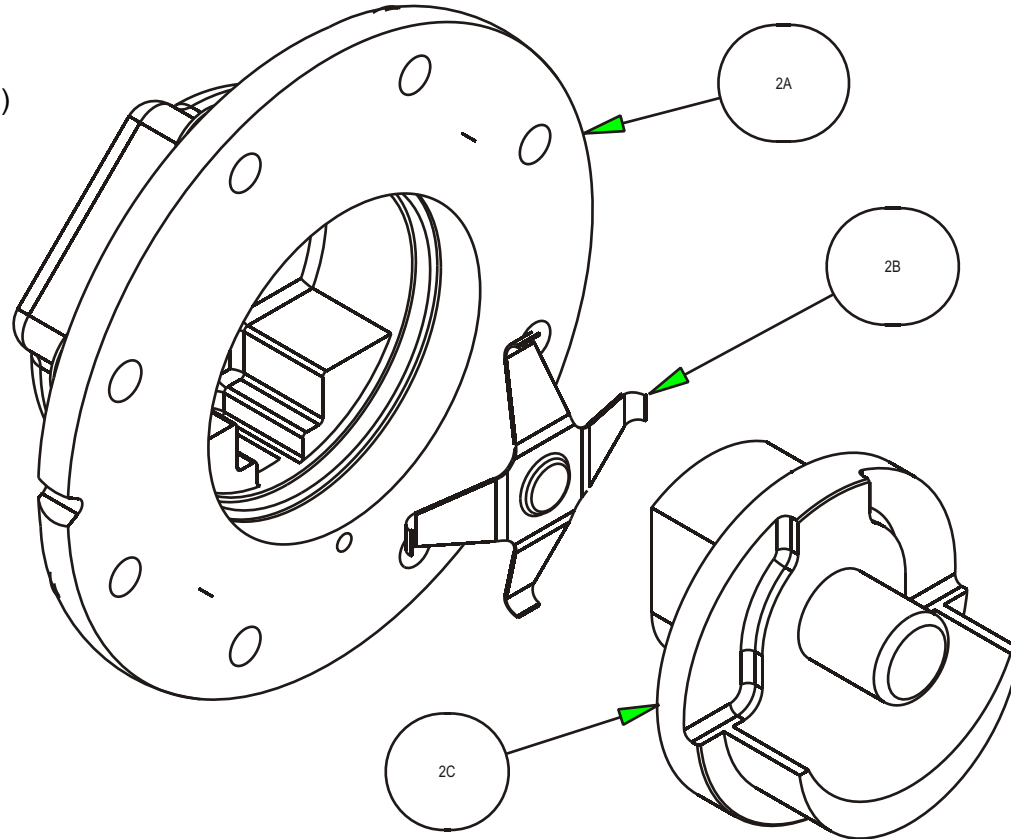




2C1F

Reversing Option

item	part number	description
2A	2R35	cover
2B	2R80-A	spring
2C	2R6	carrier assembly
	2R31	idler pin only
14A	2RC22-1PTS	housing (housing not shown)





2C1F

Ball Bearing Option

item	part number	description
20A	2CEN68	bearing cap
20B	P602-17	ball bearing
21A	P100-1-H	bolt (3)

