



293 Wright Street, Delavan, WI 53115
 Phone: 1-800-468-7867
 Fax: 1-800-390-5351
 Web Site: SimerPump.com

OWNER'S MANUAL

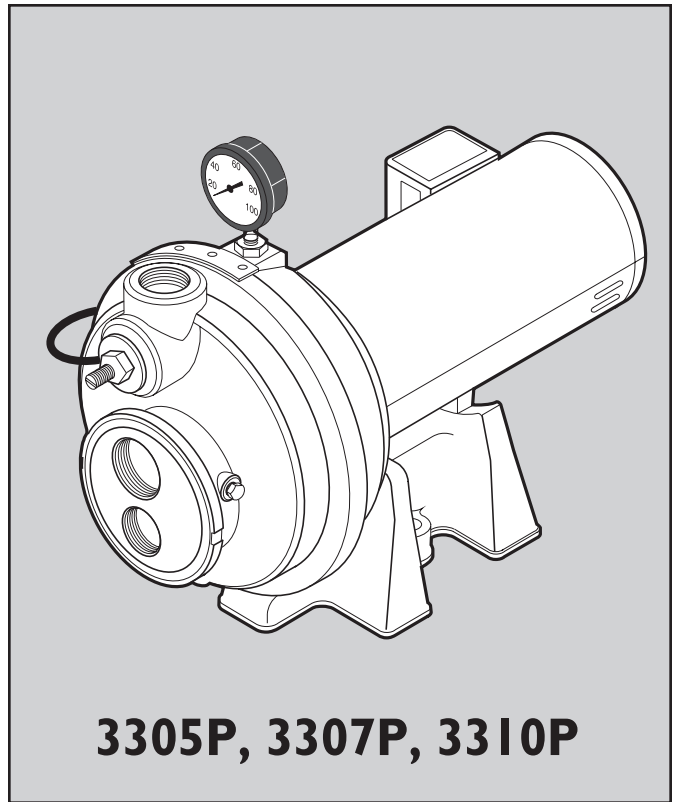
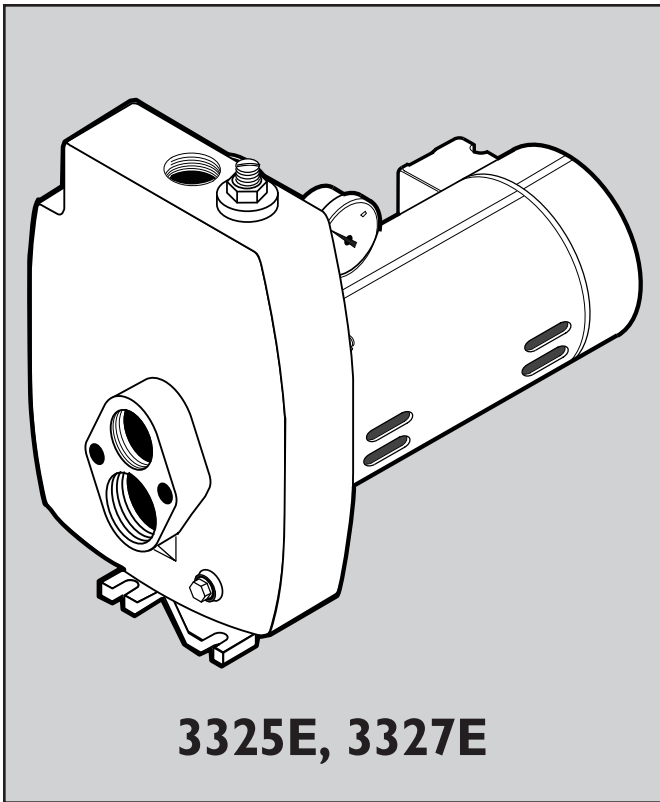
Convertible Deep Well Jet Pumps

NOTICE D'UTILISATION

Pompe à éjecteur transformables pour puits profonds

MANUAL DEL USUARIO

Bombas convertibles de chorro para pozos profundos



Installation/Operation/Parts

For further operating, installation, or maintenance assistance:

Call 1-800-468-7867

English. Pages 2-16

Installation/Fonctionnement/Pièces

Pour plus de renseignements concernant l'utilisation, l'installation ou l'entretien,

Composer le 1 (800) 468-7867

Français. Pages 17-31

Instalación/Operación/Piezas

Para mayor información sobre el funcionamiento, instalación o mantenimiento de la bomba:

Llame al 1-800-468-7867

Español Páginas 32-48

Important Safety Instructions

SAVE THESE INSTRUCTIONS - This manual contains important instructions that should be followed during installation, operation, and maintenance of the product. Save this manual for future reference.

⚠ This is the safety alert symbol. When you see this symbol on your pump or in this manual, look for one of the following signal words and be alert to the potential for personal injury!

⚠ DANGER indicates a hazard which, if not avoided, *will* result in death or serious injury.

⚠ WARNING indicates a hazard which, if not avoided, *could* result in death or serious injury.

⚠ CAUTION indicates a hazard which, if not avoided, *could* result in minor or moderate injury.

NOTICE addresses practices not related to personal injury.

Carefully read and follow all safety instructions in this manual and on pump.

Keep safety labels in good condition.

Replace missing or damaged safety labels.

Electrical Safety

⚠ WARNING Capacitor voltage may be hazardous. To discharge motor capacitor, hold insulated handle screwdriver **BY THE HANDLE** and short capacitor terminals together. Do not touch metal screwdriver blade or capacitor terminals. If in doubt, consult a qualified electrician.

General Safety

⚠ CAUTION Do not touch an operating motor. Modern motors are designed to operate at high temperatures. To avoid burns when servicing pump, allow it to cool for 20 minutes after shut-down before handling.

Do not allow pump or any system component to freeze. To do so will void warranty.

Pump water only with this pump.

Periodically inspect pump and system components.


Wear safety glasses at all times when working on pumps.

Keep work area clean, uncluttered and properly lighted; store properly all unused tools and equipment.

Keep visitors at a safe distance from the work areas.

⚠ WARNING Pump body may explode if used as a booster pump unless relief valve capable of passing full pump flow at 75 psi is installed.

⚠ WARNING




Hazardous voltage. Can shock, burn, or cause death.

Ground pump before connecting to power supply. Disconnect power before working on pump, motor or tank.

- ⚠** Wire motor for correct voltage. See “Electrical” section of this manual and motor nameplate.
- ⚠** Ground motor before connecting to power supply.
- ⚠** Meet National Electrical Code, Canadian Electrical Code, and local codes for all wiring.
- ⚠** Follow wiring instructions in this manual when connecting motor to power lines.

⚠ WARNING



Hazardous pressure! Install pressure relief valve in discharge pipe.

Release all pressure on system before working on any component.

Retain Original Receipt For Your Records

Limited Warranty

SIMER warrants to the original consumer purchaser ("Purchaser" or "You") of its products that they are free from defects in material and workmanship for a period of twelve (12) months from the date of the original consumer purchase.

If, within twelve (12) months from the original consumer purchase, any such product shall prove to be defective, it shall be repaired or replaced at SIMER's option, subject to the terms and conditions set forth below. The original purchase receipt and product warranty information label are required to determine warranty eligibility. Eligibility is based on purchase date of original product – not the date of replacement under warranty. The warranty is limited to repair or replacement of product only – Purchaser pays all removal, installation, labor, shipping, and incidental charges.

For parts or troubleshooting assistance, DO NOT return product to your retail store. Contact SIMER Customer Service at 1-800-468-7867.

Claims made under this warranty shall be made by returning the product (except sewage pumps, see below) to the retail outlet where it was purchased immediately after the discovery of any alleged defect. SIMER will subsequently take corrective action as promptly as reasonably possible. No requests for service will be accepted if received more than 30 days after the warranty expires.

Warranty does not apply to products used in commercial/rental applications.

Sewage Pumps

DO NOT return a sewage pump (that has been installed) to your retail store. Contact SIMER Customer Service. Sewage pumps that have seen service and been removed carry a contamination hazard with them.

If your sewage pump has failed:

- Wear rubber gloves when handling the pump;
- For warranty purposes, return the pump's cord tag and original receipt of purchase to the retail store;
- Dispose of the pump according to local disposal ordinances.

Exceptions to the Twelve (12) Month Limited Warranty

Product	Warranty Period
BW85P, CM10, CMK, M40, M40P	90 days
2300, 2310, 2330, 2520ULST, 2943, 2955, 2956, 2957, 2960, 5023SS, A5500	2 Years
4" Submersible Well Pumps, 2945, 2958, 2975PC, 2985, 3075SS, 3983, 3984, 3963, 3995, 3997	3 Years
Pre-Charge Water System Tank, 3985, 3986, 3988, 3989, 5910, 5950, 5955, 5965, 5975	5 Years

General Terms and Conditions

You must pay all labor and shipping charges necessary to replace product covered by this warranty. This warranty does not apply to the following: (1) acts of God; (2) products which, in SIMER's sole judgement, have been subject to negligence, abuse, accident, misapplication, tampering, or alteration; (3) failures due to improper installation, operation, maintenance or storage; (4) atypical or unapproved application, use or service; (5) failures caused by corrosion, rust or other foreign materials in the system, or operation at pressures in excess of recommended maximums.

This warranty sets forth SIMER's sole obligation and purchaser's exclusive remedy for defective products.

SIMER SHALL NOT BE LIABLE FOR ANY CONSEQUENTIAL, INCIDENTAL, OR CONTINGENT DAMAGES WHATSOEVER.

THE FOREGOING WARRANTIES ARE EXCLUSIVE AND IN LIEU OF ALL OTHER EXPRESS AND IMPLIED WARRANTIES, INCLUDING BUT NOT LIMITED TO THE IMPLIED WARRANTIES OF MERCHANTABILITY AND FITNESS FOR A PARTICULAR PURPOSE. THE FOREGOING WARRANTIES SHALL NOT EXTEND BEYOND THE DURATION PROVIDED HEREIN.

Some states do not allow the exclusion or limitation of incidental or consequential damages or limitations on how long an implied warranty lasts, so the above limitations or exclusions may not apply to You. This warranty gives You specific legal rights and You may also have other rights which vary from state to state.

SIMER • 293 Wright Street • Delavan, WI U.S.A. 53115
Phone: 1-800-468-7867 • Fax: 1-800-390-5351 • Web Site: SimerPump.com

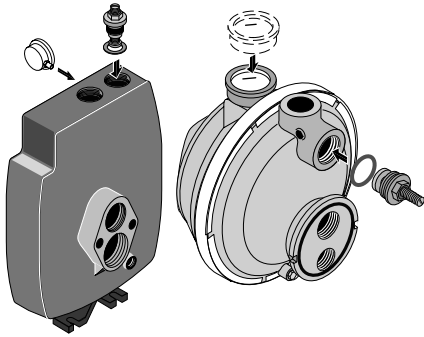


Figure 1: Install Control Valve and Gauge

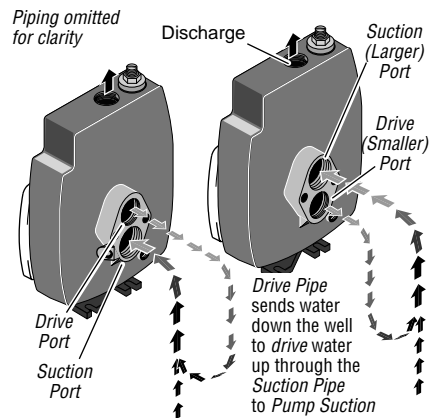


Figure 2: Drive and Suction Functions

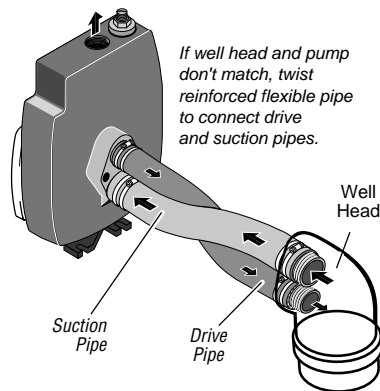


Figure 3: Reversed Connections to Well

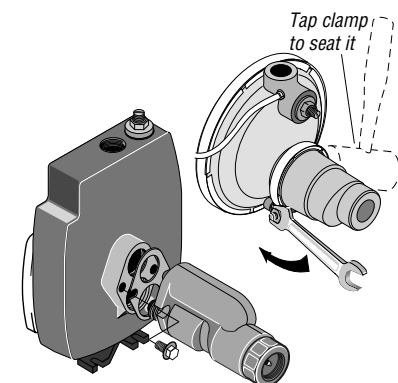


Figure 4: Mount Ejector – Shallow Well

Deep Well

⚠ WARNING Hazardous voltage. Disconnect power to pump before working on pump or motor.

1. Drain and remove the old pump. Check pipe for scale, lime, rust, etc., and replace it if necessary.
2. Install the control valve and pressure gauge in the pump body (see Figure 1).
3. If your old pump has the suction pipe (the larger port – see Figure 2) below the drive port, you will need to install flexible pipe between the well head and the pump so that the connection will be correct. (See Figure 3).

NOTICE: Your old ejector (in the well) may not be properly matched to your new pump. If the pump does not perform properly, we recommend that you install ejector kit FP4800.

4. Install the pump in the system. Make sure that all pipe joints in the suction pipe are air-tight as well as water tight. If the suction pipe can suck air, the pump will not be able to pull water from the well.
5. Adjust the pump mounting height so that the plumbing connections do not put a strain on the pump body. Support the pipe so that the pump body does not take the weight of piping or fittings.

You have just completed the well plumbing for your new deep well jet pump. Please go to Page 8 for discharge pipe and tank connections.

Shallow Well

⚠ WARNING Hazardous voltage. Disconnect power to pump before working on pump or motor.

1. Drain and remove the old pump. Check the old pipe for scale, lime, rust, etc., and replace it if necessary.
2. Install the control valve and pressure gauge in the pump body (see Figure 1).
3. Install ejector kit FP4855 or kit FP4875 (kits are sold separately). Follow the instructions provided with the kit. Be sure to align the venturi with the top hole on the front of the pump (see Figure 4).

NOTICE: Always replace the ejector when replacing the pump in a shallow well installation.

4. Install the pump in the system. Make sure that all pipe joints in the suction pipe are air-tight as well as water tight. If the suction pipe can suck air, the pump will not be able to pull water from the well.
5. Adjust the pump mounting height so that the plumbing connections do not put a strain on the pump body. Support the pipe so that the pump body does not take the weight of piping or fittings.

You have just completed the well plumbing for your new shallow well jet pump. Please go to Page 8 for discharge pipe and tank connections.

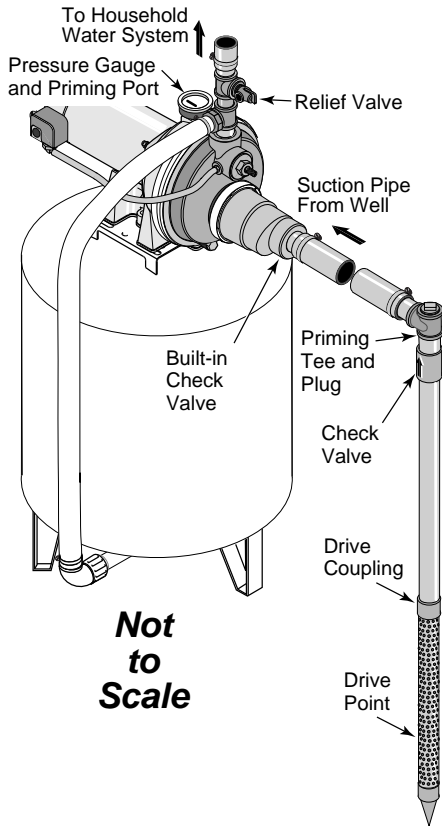


Figure 5: Driven Point Installation

Well Point Installation (Figure 5)

1. Install the control valve and pressure gauge in the pump body (see Figure 1).
2. Install ejector kit FP4855 or kit FP4875 (kits are sold separately). Follow the instructions provided with the kit. Align the venturi with the top hole on the front of the pump (see Figure 4).
3. Drive the well, using “drive couplings” and a “drive cap”. “Drive fittings” are threaded all the way through and allow the pipe ends to butt against each other so that the driving force of the maul is carried by the pipe and not by the threads. The ordinary fittings found in hardware stores are not threaded all the way through the fitting and can collapse under impact. “Drive fittings” are also smoother than standard plumbing fittings, making ground penetration easier.
4. Mount the pump as close to the well as possible.
5. Use the fewest possible fittings (especially elbows) when connecting the pipe from the well point to the pump suction port. The suction pipe should be at least as large as the suction port on the pump (include a check valve – see Figure 5). Support the pipe so that there are no dips or sags in the pipe, so it doesn’t strain the pump body, and so that it slopes slightly upward from the well to the pump (high spots can cause air pockets which can air lock the pump). Seal the suction pipe joints with ¹Teflon™ tape or Teflon™ based pipe joint compound approved for use on PVC. Joints must be air- and water-tight. If the suction pipe can suck air, the pump cannot pull water from the well. If one well point does not supply enough water, consider connecting two or three well points to one suction pipe.

You have just completed the suction piping for your new shallow well jet pump. Please go to Page 8 for discharge pipe and tank connections.

¹ E. I. DuPont de Nemours and Company Corporation, Delaware

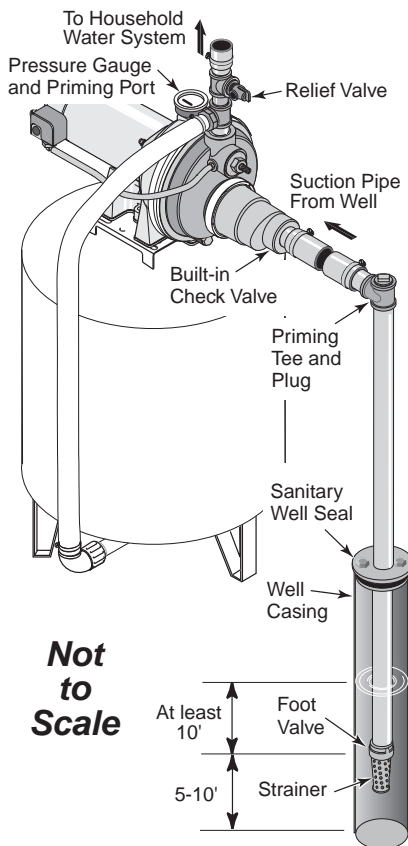


Figure 6: Cased Well Installation

Cased Well Installation, 2” or Larger Casing (Figure 6)

1. Install the control valve and pressure gauge in the pump body (see Figure 1).
2. Install ejector kit FP4855 or kit FP4875 (kits are sold separately). Follow the instructions provided with the kit. Align the venturi with the top hole on the front of the pump (see Figure 4).
3. Mount the pump as close to the well as possible.
4. Assemble the foot valve, strainer, and well pipe (see Figure 6). Make sure that the foot valve works freely.
5. Lower the pipe into the well until the strainer is five feet above the bottom of the well. It should also be at least 10 feet below the well’s water level while the pump is running in order to prevent the pump from sucking air. Install a sanitary well seal.
6. Install a priming tee, priming plug, and suction pipe to the pump (see Figure 6). Connect the pipe from the well to the pump suction port, using the fewest possible fittings – especially elbows – as fittings increase friction in the pipe. The suction pipe should be at least as large as the suction port on the pump. Support the pipe so that there are no dips or sags in the pipe, so it doesn’t strain the pump body, and

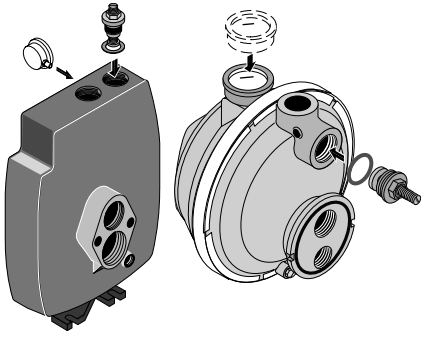


Figure 7: Install Control Valve and Pressure Gauge

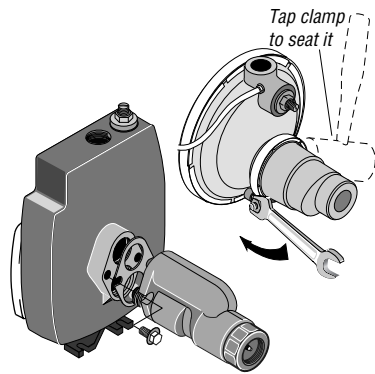


Figure 8: Install Ejector

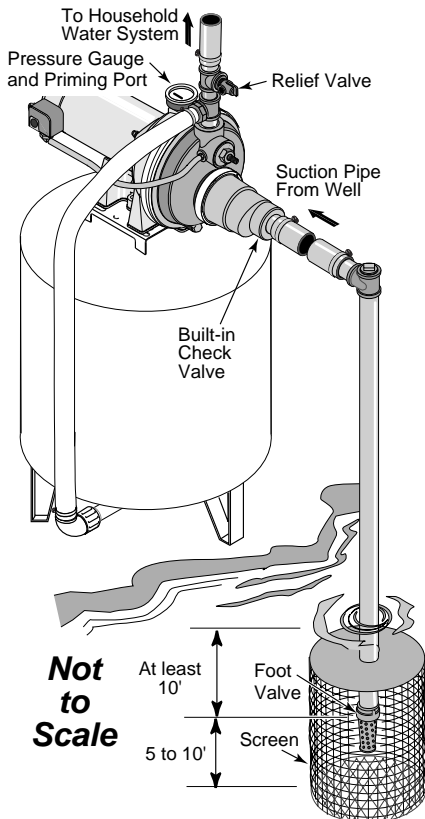


Figure 9: Surface Water Installation

so that it slopes slightly upward from the well to the pump (high spots can cause air pockets which can air lock the pump). Seal the suction pipe joints with Teflon™ tape or a Teflon™ based pipe joint compound. Joints must be air- and water-tight. If the suction pipe can suck air, the pump cannot pull water from the well.

You have just completed the suction piping for your new shallow well jet pump. Please go to Page 8 for discharge pipe and tank connections.

Installation for Surface Water

CAUTION Possible contamination. Do not use surface water for drinking. The installation shown could be used for sprinkler applications.

1. Install the control valve and pressure gauge in the pump body (see Figure 7).
2. Install ejector kit FP4855 or kit FP4875 (kits are sold separately). Follow the instructions provided with the kit. Align the venturi with the top hole on the front of the pump (see Figure 8).
3. The pump should be installed as close to the water as possible, with the fewest possible fittings (especially elbows) in the suction pipe. The suction pipe should be at least as large as the suction port on the pump.
4. Assemble a foot valve and suction pipe (see Figure 9). Make sure that the foot valve works freely. Use Teflon™ tape or a Teflon™-based pipe joint compound on threaded pipe joints. Protect the foot valve assembly from fish, trash, etc, by installing a screen around it (see Figure 9).
5. Lower the pipe into the water until the strainer is five feet above the bottom. It should also be at least 10 feet below the water level in order to prevent the pump from sucking air.
6. Install a priming tee, priming plug, and suction pipe to the pump (see Figure 9). Support the pipe so that there are no dips or sags in the pipe, so it doesn't strain the pump body, and so that it slopes slightly upward from the well to the pump (high spots can cause air pockets which can air lock the pump). Seal the suction pipe joints with Teflon™ tape or a Teflon™ based pipe joint compound. Joints must be air- and water-tight. If the suction pipe can suck air, the pump cannot pull water from the well.

You have just completed the plumbing for your new shallow well jet pump. Please go to Page 8 for discharge pipe and tank connections.

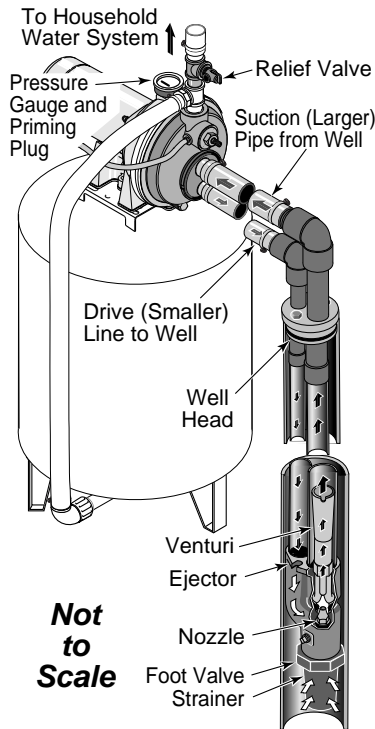


Figure 10: 4" and Larger Deep Well

4" Or Larger Well (Figure 10)

1. Install the control valve and pressure gauge in the pump body. See Figure 7.
2. Assemble ejector kit FP4800 (kit sold separately). See Figure 10. Follow the instructions included with the kit in order to match the nozzle and venturi to your well conditions.
3. Mount the pump as close to the well as possible.
4. Connect two pipes (1" drive, 1-1/4" suction) to the ejector and lower the ejector into the well until it is five feet from the bottom. It should also be at least 10 feet below the well's water level while the pump is running in order to prevent the pump from sucking air.
5. Install a sanitary well seal and connect the ejector piping to the pump. Use steel nipples through the well seal with flexible poly pipe to avoid crushing the plastic pipe when tightening the seal.
6. Support the pipe so that there are no dips or sags in the pipe, so it doesn't strain the pump body, and so that it slopes slightly upward from the well to the pump (high spots can cause air pockets which can air lock the pump). Seal the suction pipe joints with Teflon™ tape or a Teflon™ based pipe joint compound. Joints must be air- and water-tight. If the suction pipe can suck air, the pump cannot pull water from the well.

You have just completed the plumbing for your new double pipe deep well jet pump. Please go to Page 8 for discharge pipe and tank connections.

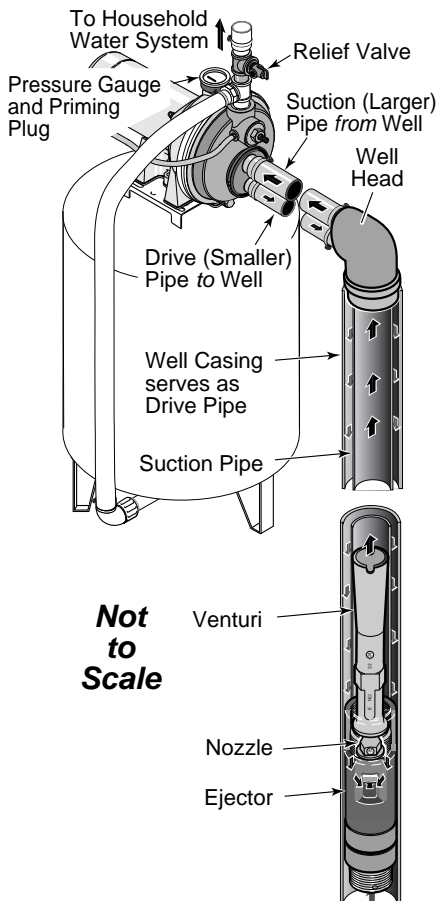


Figure 11: 2" (Single Pipe) Deep Well

2" Well (Figure 11)

1. Install the control valve and pressure gauge in the pump body. See Figure 7.
2. Mount the pump as close to the well as possible.
3. Assemble ejector kit FP4840 (kit sold separately), well piping, and well head adapter according to the instructions provided with the ejector package. See Figure 11. Use galvanized drop pipe with turned couplings to allow proper flow. Follow the instructions included with the kit in order to match the nozzle and venturi to your well conditions.
4. Run two pipes (one smaller drive pipe, one larger suction pipe) from the well to the pump. Support the pipe so that there are no dips or sags in the pipe, so it doesn't strain the pump body, and so that it slopes slightly upward from the well to the pump (high spots can cause air pockets which can air lock the pump). Seal the suction pipe joints with Teflon™ tape or a Teflon™ based pipe joint compound. Joints must be air- and water-tight. If the suction pipe can suck air, the pump cannot pull water from the well.

You have just completed the plumbing for your new single pipe deep well jet pump. Please go to Page 8 for discharge pipe and tank connections.

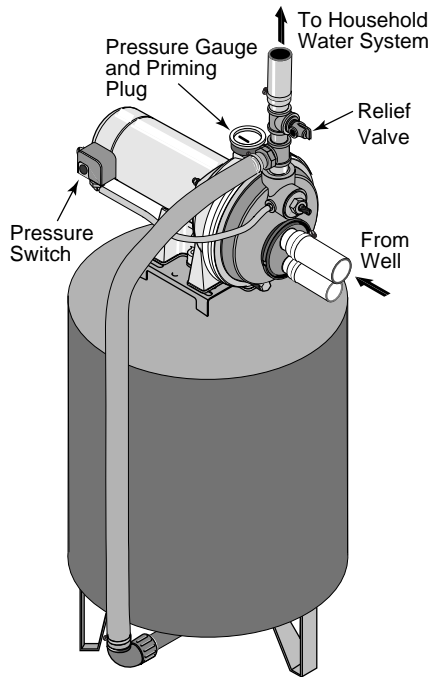


Figure 12: Pre-charged Tank Connections

Pre-Charge Tank Connection (Figure 12)

1. Install a close nipple and a tee in the pump discharge port (see Figure 12). The pipe size must be at least as large as the discharge port. Run a pipe or reinforced hose from one arm of the tee to the port on the pre-charged tank.
2. Install a second close nipple and tee with a relief valve in the tee.
3. Connect the other end of the second discharge tee to your plumbing system.
4. Check the pre-charge of air in the tank with an ordinary tire gauge. The pre-charge should be 2 PSI less than the cut-in setting of the pump's pressure switch. The pre-charge is measured when there is no water pressure in the tank. Your new pump has a 30/50 PSI switch, so adjust the tank pre-charge pressure to 28 PSI.

You have just completed the tank connection for your jet pump. Please go to Pages 9 and 10 for electrical hookup.

Standard Tank Connection (Figure 13)

1. Install a close nipple and a tee in the pump discharge port. Mount a relief valve in one arm of the tee.
2. Install a second close nipple and tee in the open arm of the first tee. Put a priming plug in one arm of the second tee.
3. Run a pipe from the open arm of the second tee to the inlet port of your tank. The pipe size must be at least as large as the pump discharge port.
4. Remove the 1/8" NPT pipe plug from the pump Air Volume Control (AVC) port (see Figure 13). Run tubing from the pump's AVC port to the port on the AVC mounted on the tank. See instructions provided with tank and AVC for details.

You have just completed the tank connection for your jet pump. Please go to Pages 9 and 10 for electrical hookup.

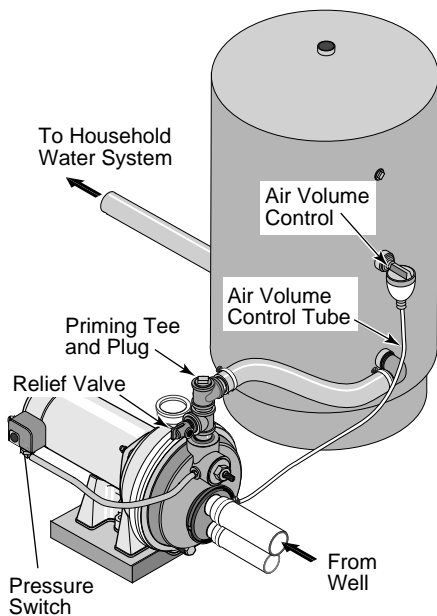


Figure 13: Standard Tank Connections

Sealing Pipe Joints

Use only ¹Teflon™ tape or Teflon™ based joint compounds for making all threaded connections to the pump itself. **Do not use pipe joint compounds on plastic pumps:** they can react with the plastic in pump components. Make sure that all pipe joints in the suction pipe are air tight as well as water tight. *If the suction pipe can suck air, the pump will not be able to pull water from the well.*

¹ E. I. DuPont de Nemours and Company Corporation, Delaware

⚠ Disconnect power before working on pump, motor, pressure switch, or wiring.

Motor Switch Settings

NOTICE: 1/2 HP motors are dual voltage and are factory set to 115 V. 3/4 & 1 HP motors are also dual voltage, but are factory set to 230 V. Motor terminal board (located under the motor end cover) should look like that shown below. Use the instructions to set your motor to match your power source.

⚠ WARNING Never connect a motor set to 115 V to a 230 V power source.

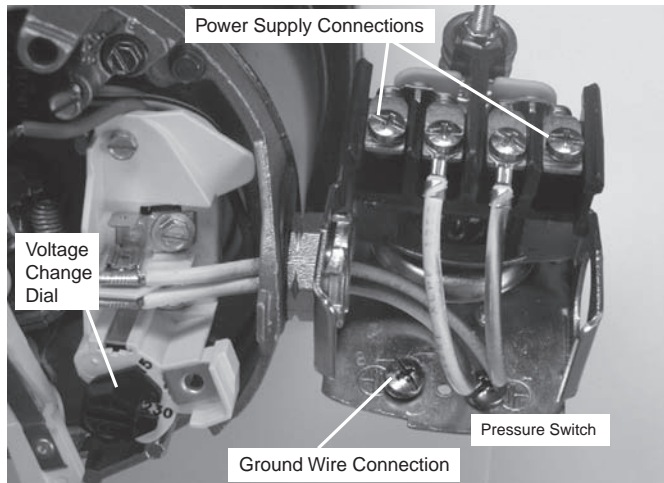


Figure 14: Voltage set to 230 volts, Dial Type

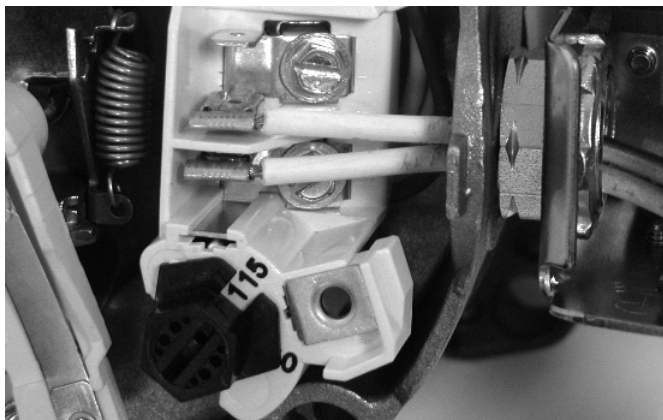


Figure 15: Voltage set to 115 volts, Dial Type

Dial Type Voltage Selector

Voltage is set to 230 volts. To change to 115 volts:

1. Make sure power is off.
2. Turn the dial counter-clockwise until 115 shows in the dial window as shown in Figure 15.
3. Attach the incoming power leads to the two outer screws on the pressure switch as shown in Figure 14.
4. Attach the ground wire to the grounding connections as shown in Figure 14.
5. If there are other wires, they should be capped.
6. Reinstall the Motor end cover.

⚠ WARNING Hazardous voltage. Can shock, burn, or kill. Connect ground wire before connecting power supply wires. Use the wire size (including the ground wire) specified in the wiring chart. If possible, connect the pump to a separate branch circuit with no other appliances on it.

⚠ WARNING Explosion hazard. Do not ground to a gas supply line.

Wiring Connections

⚠ WARNING **Fire hazard.** Incorrect voltage can cause a fire or seriously damage the motor and voids the warranty. The supply voltage must be within ±10% of the motor nameplate voltage.

NOTICE: Dual-voltage motors may be set for 115 V or 230 V. If necessary, reset the motor to the desired voltage, as shown. Do not alter the wiring in single voltage motors.

Install, ground, wire, and maintain your pump in compliance with the National Electrical Code (NEC) or the Canadian Electrical Code (CEC), as applicable, and with all local codes and ordinances that apply. Consult your local building inspector for code information.

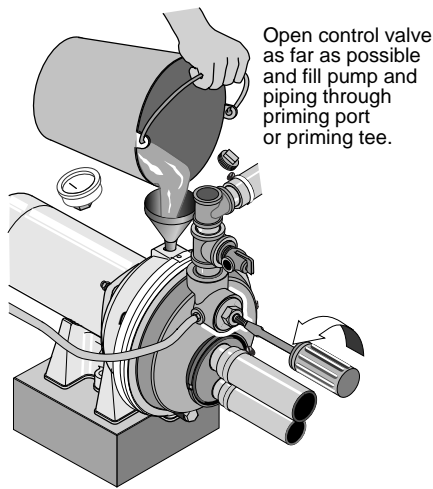
Connection Procedure:

1. Connect the ground wire first as shown in Figure 14. The ground wire must be a solid copper wire at least as large as the power supply wires.
2. There must be a solid metal connection between the pressure switch and the motor for motor grounding protection. If the pressure switch is not connected to the motor, connect the green ground screw in the switch to the green ground screw under the motor end cover. Use a solid copper wire at least as large as the power supply wires.
3. Connect the ground wire to a grounded lead in a service panel, to a metal underground water pipe, to a metal well casing at least ten feet (3 m) long, or to a ground electrode provided by the power company or the hydro authority.
4. Connect the power supply wires to the pressure switch as shown in Figure 14.

You have just completed the wiring for your pump.
Please go to Page 11 for startup preparations.

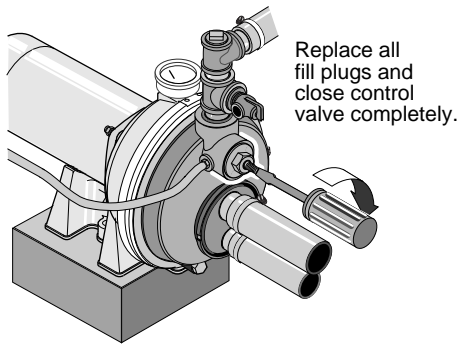
Wiring Chart – Recommended Wire and Fuse Sizes

Motor HP	Volts	Max. Load Amp	Branch Fuse Rating Amp	DISTANCE IN FEET FROM MOTOR TO SUPPLY				
				1 - 100	101 - 200	201 - 300	301 - 400	401 - 500
				AWG WIRE SIZE (mm ²)				
1/2	115/230	9.9/4.95	15/15	14/14 (2/2)	14/14 (2/2)	12/14 (3/2)	10/14 (5.5/2)	10/12 (5.5/3)
3/4	115/230	12.2/6.1	20/15	14/14 (2/2)	10/14 (5.5/2)	8/14 (7/2)	8/14 (7/2)	6/12 (9/3)
1	115/230	14.8/7.4	20/15	12/14 (3/2)	10/14 (5.5/2)	8/12 (7/3)	8/12 (7/3)	6/12 (9/3)



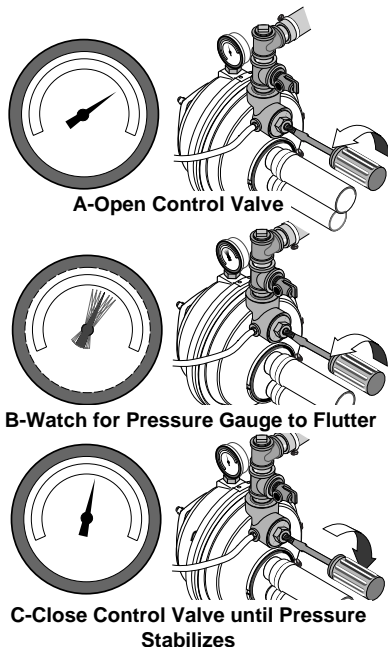
Open control valve as far as possible and fill pump and piping through priming port or priming tee.

Figure 16: Fill Pump



Replace all fill plugs and close control valve completely.

Figure 17: Prime Pump



A-Open Control Valve

B-Watch for Pressure Gauge to Flutter

C-Close Control Valve until Pressure Stabilizes

Figure 18: Set Control Valve

⚠ CAUTION Never run pump dry. Running pump without water may cause pump to overheat, damaging seal and possibly causing burns to persons handling pump. Fill pump with water before starting.

⚠ WARNING Never run pump against closed discharge. To do so can boil water inside pump, causing hazardous pressure in unit, risk of explosion and possibly scalding persons handling pump.

1. Open the control valve as far as possible (see Figure 16). Then remove the priming plug from the pump and fill the pump, fill all piping between the pump and the well, and make sure that all piping in the well is full. If you have also installed a priming tee in the suction piping, remove the plug from the tee and fill the suction piping.
2. Replace all fill plugs and close the control valve completely (Figure 17).
3. Open several faucets in the residence to permit water flow and to release trapped air. Power on! Start the pump and watch the pressure gauge. The pressure should build rapidly to 50 PSI as the pump primes.
4. After 2 or 3 minutes, the gauge should show pressure. If not, stop the pump, remove the fill plugs, reopen the control valve, and refill the pump and piping. You may have to repeat this two or three times in order to get all the trapped air out of the piping. Don't forget to close the control valve each time before you start the pump.
5. When water pressure has built up and is maintained by the pump, slowly open the control valve (see Figure 18) – this will let water flow to the residential piping. Slowly open the control valve while watching the pressure gauge needle. Continue opening the valve until the valve is fully open or you see the pressure gauge needle start to flutter. If the needle starts to flutter, slowly close the valve just enough to stop the flutter. Your pump is now operating at peak efficiency.
6. Close all open faucets. After the pump has built up pressure in the system and shut off, check the pressure switch operation by opening a faucet or two and running enough water out to bleed off pressure until the pump starts. The pump should start when pressure drops to 30 PSI and stop when pressure reaches 50 PSI. Run the pump through one or two complete cycles to verify correct operation. This will also help clean the system of dirt and scale dislodged during installation.

Congratulations on a successful installation.

If you were unsuccessful, please refer to Troubleshooting or call our customer service technical staff.

Thank you for purchasing Simer Products.

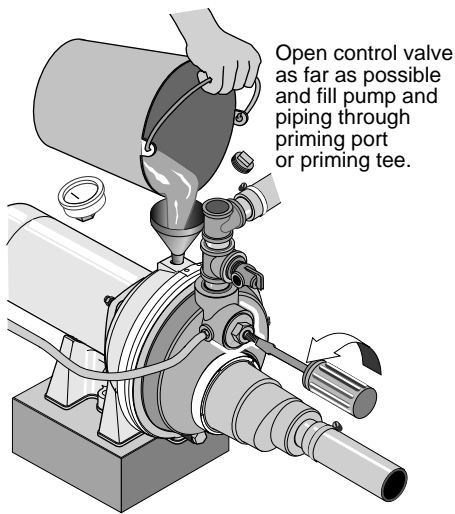


Figure 19: Open Control Valve

⚠ CAUTION Never run pump dry. Running pump without water may cause pump to overheat, damaging seal and possibly causing burns to persons handling pump. Fill pump with water before starting.

⚠ WARNING Never run pump against closed discharge. To do so can boil water inside pump, causing hazardous pressure in unit, risk of explosion and possibly scalding persons handling pump.

1. Open the control valve as far as possible (see Figure 19). Then remove the priming plug from the pump and fill the pump, fill all piping between the pump and the well, and make sure that all piping in the well is full. If you have also installed a priming tee in the suction piping, remove the plug from the tee and fill the suction piping.
2. Replace all fill plugs. Leave the control valve open (in a shallow well installation, the control valve always stays open).
3. Power on! Start the pump. The pump should pump water in two or three minutes.
4. If you don't have water after 2 or 3 minutes, stop the pump and remove the fill plugs. Refill the pump and piping. You may have to repeat this two or three times in order to get all the trapped air out of the piping. The control valve remains open throughout this procedure.
5. After the pump has built up pressure in the system and shut off, check the pressure switch operation by opening a faucet or two and running enough water out to bleed off pressure until the pump starts. The pump should start when pressure drops to 30 PSI and stop when pressure reaches 50 PSI. Run the pump through one or two complete cycles to verify correct operation. This will also help clean the system of dirt and scale dislodged during installation.

Congratulations on a successful installation.

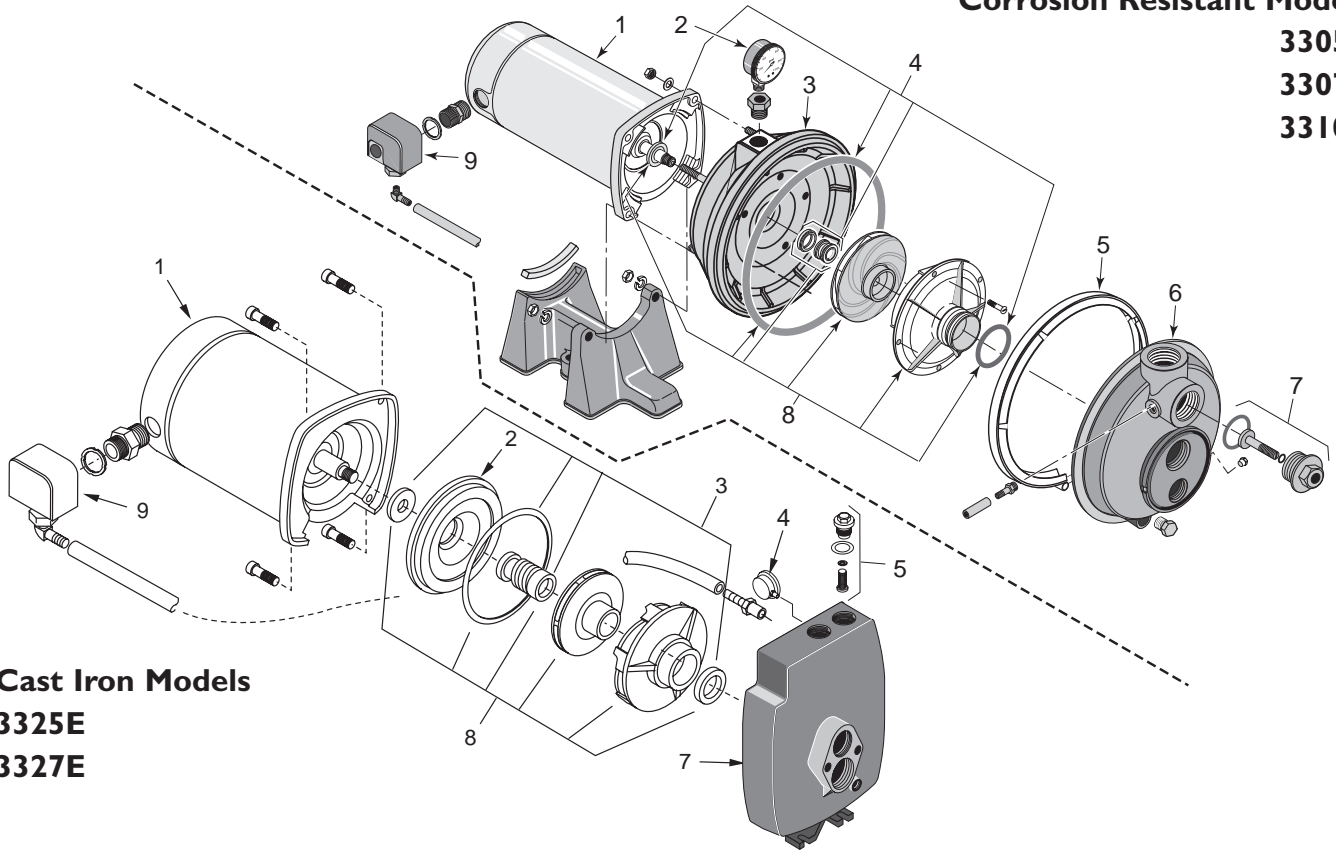
If you were unsuccessful, please refer to *Troubleshooting* or call our customer service technical staff.

Thank you for purchasing Simer Products.

Symptom	Possible Cause(s)	Corrective Action
Motor will not run	Disconnect switch is off	Be sure switch is on.
	Fuse is blown or circuit breaker tripped	Replace fuse or reset circuit breaker.
	Starting switch is defective	DISCONNECT POWER; Replace starting switch.
	Wires at motor are loose, disconnected, or wired incorrectly	Refer to instructions on wiring (Page 9). DISCONNECT POWER; check and tighten all wiring. ⚠ WARNING Capacitor voltage may be hazardous. To discharge capacitor, hold insulated handle screwdriver BY THE HANDLE and short capacitor terminals together. Do not touch metal screwdriver blade or capacitor terminals. If in doubt, consult a qualified electrician.
	Pressure switch contacts are dirty	DISCONNECT POWER and file contacts with emery board or nail file.
Motor runs hot and overload kicks off	Motor is wired incorrectly	Refer to instructions on wiring.
	Voltage is too low	Check with power company. Install heavier wiring if wire size is too small (See Electrical / Wiring Chart).
	Pump cycles too frequently	See section below on too frequent cycling.
Motor runs but no water is delivered* * Stop pump; then check prime before looking for other causes. Unscrew priming plug and see if water is in priming hole.	Pump in new installation did not pick up prime through: 1. Improper priming 2. Air leaks 3. Leaking foot valve or check valve	In new installation: 1. Re-prime according to instructions. 2. Check all connections on suction line, AVC, and ejector with soapy water or shaving cream. 3. Replace foot valve or check valve.
	Pump has lost prime through: 1. Air leaks 2. Water level below suction pipe inlet	In installation already in use: 1. Check all connections on suction line and shaft seal. 2. Lower suction line into water and re-prime. If receding water level in well exceeds 25' (7.6M), a deep well pump is needed.
	Foot valve or strainer is plugged	Clean foot valve or strainer.
	Ejector or impeller is plugged	Clean ejector or impeller.
	Check valve or foot valve is stuck shut	Replace check valve or foot valve.
	Pipes are frozen	Thaw pipes. Bury pipes below frost line. Heat pit or pump house.
	Foot valve and/or strainer are buried in sand or mud	Raise foot valve and/or strainer above bottom of water source. Clean foot valve and strainer.
	Water level is too low for shallow well setup to deliver water	A deep well jet will be needed if your well is more than 25' (7.6M) depth to water.
	Pump does not deliver water to full capacity (Also check point 3 immediately above)	Water level in well is lower than estimated
Steel piping (if used) is corroded or limed, causing excess friction		Replace with plastic pipe where possible, otherwise with new steel pipe.
Piping is too small in size		Use larger piping.
Pump delivers water but does not shut off or pump cycles too frequently	Pressure switch is out of adjustment or contacts are welded together	DISCONNECT POWER; adjust or replace pressure switch.
	Faucets have been left open	Close faucets.
	Venturi, nozzle or impeller is clogged	Clean venturi, nozzle or impeller.
	Standard pressure tank is waterlogged and has no air cushion	Drain tank to air volume control port. Check AVC for defects. Check all connections for air leaks.
	Pipes leak	Check connections.
	Foot valve leaks	Replace foot valve.
	Pressure switch is out of adjustment	Adjust or replace pressure switch.
Air charge too low in pre-charged tank	DISCONNECT POWER and open faucets until all pressure is relieved. Using tire pressure gauge, check air pressure in tank at valve stem located on the tank. If less than pressure switch cut-in setting (30-50 PSI), pump air into tank from outside source until air pressure is 2 PSI less than cut-in setting of switch. Check air valve for leaks (use soapy solution) and replace core if necessary.	
Air spurts from faucets	Pump is picking up prime	When pump has picked up prime, it should pump solid water with no air.
	Leak in suction side of pump	Suction pipe is sucking air. Check joints for leaks with soapy water.
	Well is gaseous	Consult factory about installing a sleeve in the well.
	Intermittent over-pumping of well. (Water drawn down below foot valve.)	Lower foot valve if possible, otherwise restrict pump discharge.

Corrosion Resistant Models

3305P
3307P
3310P



Cast Iron Models

3325E
3327E

Ref.	Part Description	Model and HP		
		3305P 1/2HP	3307P 3/4HP	3310P 1 HP
1	Motor	J218-582A-115-PKG	J218-590-PKG	J218-596-PKG
2	Pressure Gauge	TC2104		
3	Pump Body (Back Half)	L176-47P		
4	Seal & Gasket Kit *	FPP1500		
5	V-Clamp Assembly	C19-54SS		
6	Pump Body (Front Half)	L76-37P		
7	Control Valve Assembly	L162-10PS		
8	Overhaul Kit **	FPP1511	FPP1512	FPP1513
9	Pressure Switch Assembly	TC2151		

Ref.	Part Description	Model and HP	
		3325E 1/2HP	3327E 3/4HP
1	Motor	J218-582A-115-PKG	A100DL
2	Seal Plate	N3-1043P	
3	Seal & Gasket Kit*	FPP1550	
4	Pressure Gauge	TC2104	
5	Control Valve Assembly	01322	
7	Pump Body	L76-44	
8	Overhaul Kit**	FPP1560	FPP1561
9	Pressure Switch	TC2151	

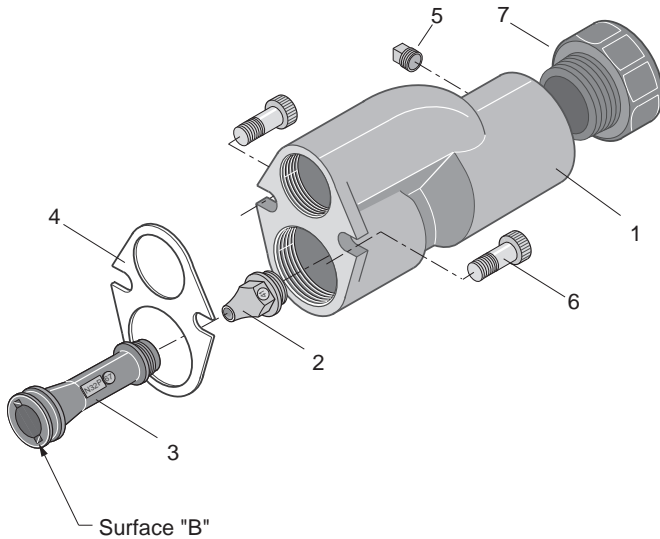
* Includes: water slinger, seal plate O-ring or gasket, shaft seal, diffuser pad, and diffuser O-ring or gasket.

** Includes: Seal and Gasket Kit plus seal plate insert, impeller and diffuser.

Repair instructions are included with all repair kits.

Ejector Package are available for either shallow well or deep well operation. Pump owners manual describes conditions that define shallow well and deep well operation. Read manual carefully to determine your

Shallow Well Kit FP4855 for 3325E & 3327E

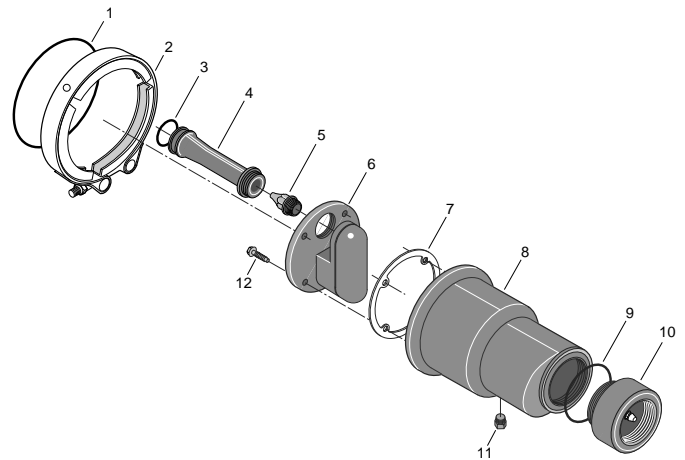


NOTICE: Use care not to damage sealing face (marked "Surface B" on drawing above) or internal leakage may occur.

Ref.	Description	Part Number
1	Ejector Body	N40-92
2	Nozzle (#51)	N34P-41
3	Venturi, Shallow Well, 3325E	N32P-66B
	Venturi, Shallow Well, 3327E	N32P-67B
4	Gasket	N20-25
5	Pipe Plug	U78-56ZPS
6	Socket Head Capscrew (2 Req.)	U30-961PS
7	Check Valve	N212-12P

pumping requirements. Note that the nozzle comes pre-installed in ejector body and works with both shallow well and deep well venturis.

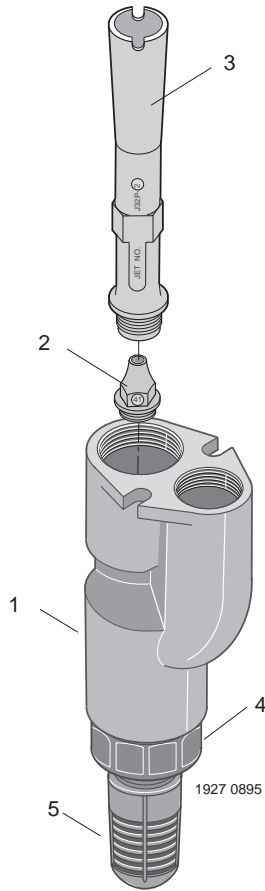
Shallow Well Kit FP4875 for 3305P, 3307P, & 3310P



Ref.	Description	Part Number
1	O-Ring, Jet Body	U9-202
2	Clamp	J19-6
3	O-Ring, Venturi	U9-201
4	Venturi, 3307P	N32P-63
	Venturi, 3310P	N32P-64
	Venturi, 3305P	N32P-72
5	Nozzle (#51), 3305P & 3307P	J34P-41
	Nozzle (#54), 3310P	J34P-44
6	Insert, Jet Body	N40-39P
7	Gasket	J20-18
8	Jet Body	N40-38P
9	O-Ring, Check Valve	U9-226
10	Check Valve - Complete	N166-5P
11	Pipe Plug - 1/8" NPT - Sq. Hd.	WC78-41T
12	Screw - #10 - 16 x 1-1/8" Lg. (4 Req.)	U30-742SS

Deep Well Installation

4" Double Pipe Kit Kit FP4800



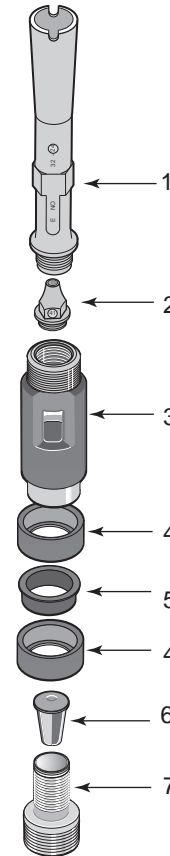
Ref.	Description	Part Number
1	Ejector Body	N40-92
2	Nozzle	See below
3	Venturi	See below
4	Check Valve	N212-12P
5	Strainer	L8-1P

Nozzle/Venturi Combinations (Kit FP4800)

Model	Depth Less Than	Use Nozzle/ Venturi	Depth Less Than	Use Nozzle/ Venturi
3305P	50' (15.2 m)	J34P-41 (#51) / J32P-24	70' (21.3 m)	J34P-42 (#52) / J32P-18
3307P	70' (21.3 m)	J34P-43 (#53) / J32P-24	100' (30.5 m)	N. A.
3310P	90' (27.4 m)		N. A.	
3325E	50' (15.2 m)	J34P-41 (#51) / J32P-24	70' (21.3 m)	J34P-42 (#52) / J32P-18
3327E	70' (21.3 m)		100' (30.5 m)	

NOTICE: If the depth to water in your well is more than the distance listed in the Depth column (for your pump), you **MUST** use the nozzle/venturi combination listed or your pump will not be able to lift water from the well.

2" Single Pipe Kit Kit FP4840



Ref.	Description	Part Number
1	Venturi	See below
2	Nozzle	See below
3	Jet Body	J40-24
4	Cup Leather (2)	J57-1
5	Spacer	J43-14P
6	Check Valve	P122-10B
7	Valve Seat	J66-13
*	Casing Adapter	J216-44
	Turned Couplings 1-1/4 NPT	U11-1


* Not illustrated.

Nozzle/Venturi Combinations (Kit FP4840)

Model	Depth Less Than	Use Nozzle/ Venturi	Depth Less Than	Use Nozzle/ Venturi
3305P	50' (15.2 m)	J34P-42 (#52) / J32P-24	70' (21.3 m)	J34P-42 (#52) / J32P-18
3307P	70' (21.3 m)		100' (30.5 m)	
3310P				
3325E	40' (12.3 m)	J34P-44 (#54) / J32P-24	70' (21.3 m)	
3327E	60' (18.3 m)		100' (30.5 m)	

Directives de sécurité importantes

Conservez ces directives – Ce manuel renferme d'importantes directives qu'il faut suivre durant l'installation et l'entretien de la pompe.

Ce symbole  indique qu'il faut être prudent. Lorsque ce symbole apparaît sur la pompe ou dans cette Notice, rechercher une des mises en garde qui suivent, car elles indiquent un potentiel de blessures corporelles!

Le mot signal **DANGER** indique un danger qui, s'il n'est pas évité, *causera* la mort ou des blessures graves.

Le mot signal **AVERTISSEMENT** indique un risque qui, s'il n'est pas évité, *pourrait causer* la mort ou des blessures graves.

Le mot signal **ATTENTION** indique un risque qui, s'il n'est pas évité, *pourrait causer* des blessures mineures ou modérées.

Le mot **AVIS** est utilisé pour les pratiques qui ne sont pas reliées aux blessures personnelles.

Lire attentivement toutes les consignes de sécurité contenues dans cette Notice ou collées sur la pompe.

Garder les autocollants de sécurité en bon état; les remplacer s'ils manquent ou s'ils ont été endommagés.

Sécurité concernant l'électricité

AVERTISSEMENT La tension du condensateur peut être dangereuse. Pour décharger le condensateur du moteur, tenir un tournevis à manche isolé PAR LE MANCHE et mettre en court-circuit les bornes du condensateur. Ne pas toucher la lame métallique du tournevis ni les bornes du condensateur. En cas de doute, consulter un électricien qualifié.

Sécurité générale

ATTENTION Ne pas toucher un moteur qui fonctionne.

Les moteurs modernes sont conçus pour fonctionner par des températures élevées. Pour ne pas se brûler lorsque l'on interviendra sur la pompe, la laisser refroidir pendant 20 minutes après l'avoir arrêtée avant de la toucher.

Ne pas laisser geler la pompe ni aucun autre élément du système, sinon la garantie sera annulée.

Ne pomper que de l'eau avec cette pompe.

Périodiquement, inspecter la pompe et tous les éléments du système.

Toujours porter des lunettes de sécurité lorsque l'on intervient sur une pompe.

Garder la zone de travail propre, non encombrée et bien éclairée; tous les outils et tout l'équipement non utilisés doivent être entreposés correctement.

Ne pas laisser les visiteurs s'approcher de la zone de travail.




AVERTISSEMENT Le corps de la pompe peut exploser si la pompe est utilisée en tant que pompe de surpression, à moins qu'une soupape de sûreté pouvant laisser passer le débit maximum de la pompe à 75 lb/po² soit posée.

AVERTISSEMENT






Tension dangereuse. Risque de secousses électriques, de brûlures, voire de mort.

Mettre à la terre la pompe avant de la brancher sur le courant électrique. Couper l'arrivée de courant avant d'intervenir sur la pompe, sur le moteur ou sur le réservoir.


-  Câbler le moteur en fonction de la bonne tension. Voir la Section «Électricité» de cette Notice et la plaque signalétique du moteur.
-  Mettre à la terre le moteur avant de le brancher sur le courant électrique.
-  Conforme au Code national de l'électricité, au Code canadien de l'électricité et aux codes municipaux pour tous les câblages.

AVERTISSEMENT

Pression dangereuse! Poser une soupape de sûreté sur le tuyau de refoulement.

Dissiper toute la pression du système avant d'intervenir sur un élément.

-  Respecter les instructions de câblage figurant dans cette Notice lorsque l'on branche le moteur sur une ligne haute tension.

Conserver l'original du reçu pour toute référence ultérieure

Garantie limitée

SIMER garantit à l'acheteur/au consommateur d'origine (l'Acheteur) que ses produits sont exempts de tout vice de matériau et de fabrication. Cette garantie est valable pendant douze (12) mois à partir de la date d'achat d'origine.

Si, dans les douze (12) mois suivant la date d'achat d'origine, un produit se révèle défectueux, il sera réparé ou remplacé, à la discrétion de SIMER, conformément aux modalités et conditions exposées ci-dessous. Le reçu de l'achat d'origine et l'étiquette d'information sur la garantie sont requis pour déterminer la recevabilité de la réclamation au titre de la garantie. La recevabilité de la réclamation se base sur la date de l'achat d'origine du produit, et non sur la date d'un éventuel remplacement sous garantie. La garantie est limitée à la réparation ou au remplacement du produit uniquement. L'Acheteur assume les frais de retrait, d'installation, de transport et tous les frais accessoires.

Pour obtenir des pièces ou de l'aide technique, NE PAS retourner le produit au détaillant. Contacter le service à la clientèle de SIMER au 1-800-468-7867.

Les réclamations au titre de cette garantie doivent être effectuées en retournant le produit (à l'exception des pompes d'eaux d'égout, voir ci-dessous) au détaillant où il a été acheté, et ce, immédiatement après la découverte de la défaillance supposée. SIMER prendra les mesures correctives nécessaires dans un délai rapide et raisonnable. Aucune demande de réparation ne sera acceptée plus de 30 jours après l'expiration de la garantie.

Cette garantie ne s'applique pas aux produits utilisés à des fins commerciales ou de location.

Pompes d'eaux d'égout

NE PAS RETOURNER une pompe d'eaux d'égout (qui a été installée) au détaillant. Communiquer avec le service à la clientèle de SIMER. Les pompes d'eaux d'égout qui ont été utilisées, puis retirées présentent un risque de contamination.

En cas de défaillance de la pompe d'eaux d'égout :

- Porter des gants en caoutchouc pour manipuler la pompe.
- À des fins de garantie, retourner l'étiquette figurant sur le cordon de la pompe et l'original du reçu au détaillant.
- Mettre la pompe au rebut conformément à la réglementation locale.

Exceptions à la garantie limitée de douze (12) mois

Produit	Période de garantie
BW85P, CM10, CMK, M40, M40P	90 jours
2300, 2310, 2330, 2520ULST, 2943, 2955, 2956, 2957, 2960, 5023SS, A5500	2 ans
Pompe pour puits submersibles de 4 pouces, 2945, 2958, 2975PC, 2985, 3075SS, 3983, 3984, 3963, 3995, 3997	3 ans
Réservoir préchargé de système d'eau, 3985, 3986, 3988, 3989, 5910, 5950, 5955, 5965, 5975	5 ans

Modalités et conditions générales

L'Acheteur doit payer tous les frais de main d'œuvre et de transport nécessaires au remplacement du produit garanti couvert par cette garantie. Cette garantie ne s'applique pas à ce qui suit : (1) Les catastrophes naturelles; (2) Les produits qui, selon SIMER, ont fait l'objet d'une négligence, d'une utilisation abusive, d'un accident, d'une mauvaise application ou d'une altération; (3) Les défaillances dues à une installation, une utilisation, un entretien ou un entreposage inappropriés; (4) Une application, une utilisation ou une réparation atypique ou non approuvée; (5) Les défaillances causées par la corrosion, la rouille ou d'autres matériaux étrangers au système, ou par une utilisation à une pression supérieure au maximum recommandé.

Cette garantie établit la responsabilité unique de SIMER et le recours exclusif de l'Acheteur en cas de produit défectueux.

SIMER NE POURRA ÊTRE TENUE RESPONSABLE DE TOUT DOMMAGE INDIRECT OU CONSÉCUTIF QUEL QU'IL SOIT.

LES PRÉSENTES GARANTIES SONT EXCLUSIVES ET REMPLACENT TOUTE AUTRE GARANTIE EXPRESSE OU IMPLICITE, Y COMPRIS, MAIS SANS S'Y LIMITER, CELLE DE QUALITÉ MARCHANDE OU D'APTITUDE DU PRODUIT À UN EMPLOI PARTICULIER. LES PRÉSENTES GARANTIES NE PEUVENT SE PROLONGER AU-DELÀ DE LA PÉRIODE DE GARANTIE INDIQUÉE ICI.

Certains États ne permettent pas l'exclusion ou la limitation des dommages indirects ou consécutifs, ni les limitations relatives à la durée des garanties implicites. Par conséquent, il se peut que les limitations ou les exclusions ci-dessus ne s'appliquent pas. Cette garantie procure des droits juridiques précis à l'Acheteur. Cependant, il est possible de bénéficier d'autres droits, qui varient selon l'État.

SIMER • 293 Wright Street • Delavan, WI U.S.A. 53115

Téléphone : 1 800 468-7867 • Télécopieur : 1 800 390-5351 • Site Web : SimerPump.com

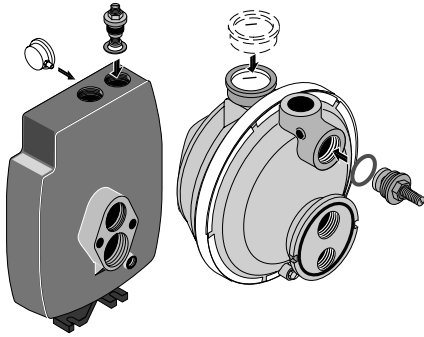


Figure 1 : Poser la vanne de réglage et le manomètre

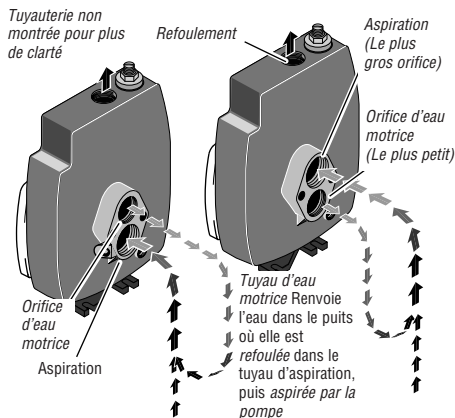


Figure 2 : Fonctions d'eau motrice et d'aspiration

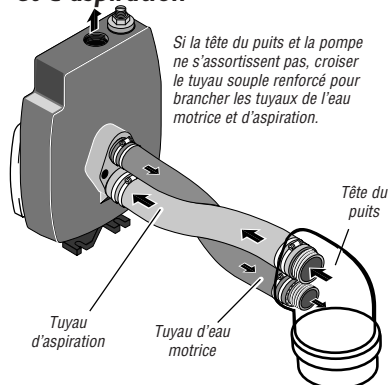


Figure 3 : Branchement inversé dans le puits

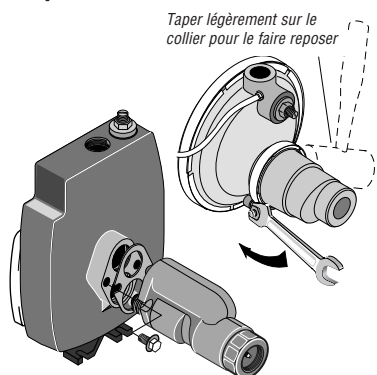


Figure 4 : Montage de l'éjecteur - puits peu profonds

Puits profonds

⚠ AVERTISSEMENT Tension dangereuse. Couper l'arrivée de courant à la pompe avant d'intervenir sur la pompe ou sur le moteur.

1. Vider toute l'eau de l'ancienne pompe; déposer l'ancienne pompe. Vérifier la tuyauterie à la recherche de dépôts de tartre, de chaux, de rouille, etc.; la remplacer selon le besoin.
2. Poser la vanne de réglage et le manomètre dans le corps de la pompe (voir la Figure 1).
3. Si l'ancienne pompe comporte un tuyau d'aspiration (le plus grand orifice — voir la Figure 2) sous l'orifice de pression, un tuyau souple devra être branché entre la tête du puits et la pompe pour que le branchement soit fait comme il faut. (Voir la Figure 3.)

AVIS : L'ancien éjecteur (celui qui est dans le puits) ne s'assortira peut-être pas bien avec la nouvelle pompe. Si le rendement de la nouvelle pompe n'est pas adéquat, nous recommandons de poser un nécessaire d'éjecteur FP4800.

4. Brancher la pompe sur le système. S'assurer que tous les raccords du tuyau d'aspiration sont bien étanches, aussi bien à l'air qu'à l'eau. Si le tuyau d'aspiration aspire de l'air, la pompe ne pompera pas l'eau du puits.
5. Régler la hauteur de montage de la pompe de façon que les raccords de plomberie n'exercent aucune contrainte sur le corps de la pompe. Supporter les tuyaux de façon que le corps de la pompe ne supporte pas le poids de la tuyauterie ni des raccords.

Le branchement de cette pompe à éjecteur neuve pour puits profonds sur la tuyauterie du puits est maintenant terminé. Passer à la page 23 pour le branchement du tuyau de refoulement et sur un réservoir.

Puits peu profonds

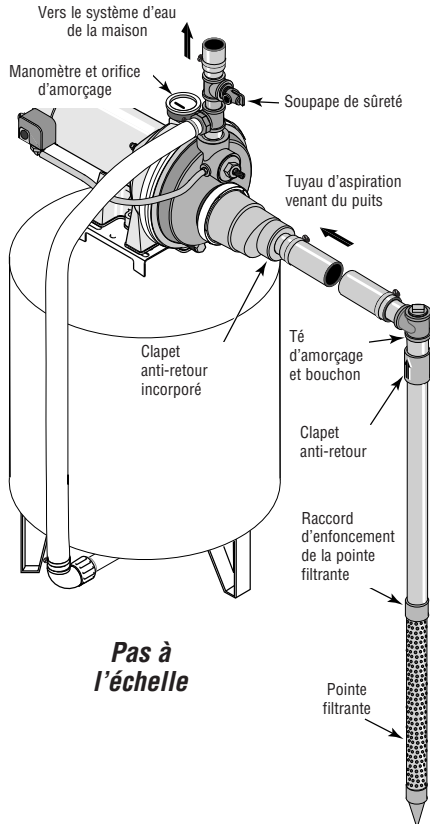
⚠ AVERTISSEMENT Tension dangereuse. Couper l'arrivée de courant à la pompe avant d'intervenir sur la pompe ou sur le moteur.

1. Vider toute l'eau de l'ancienne pompe; déposer l'ancienne pompe. Vérifier la tuyauterie à la recherche de dépôts de tartre, de chaux, de rouille, etc.; la remplacer selon le besoin.
2. Poser la vanne de réglage et le manomètre dans le corps de la pompe (voir la Figure 1).
3. Poser le nécessaire d'éjecteur FP4875 ou le nécessaire FP4855 (les nécessaires sont vendus séparément). Suivre les instructions fournies avec le nécessaire. S'assurer de bien aligner le venturi avec le trou supérieur qui se trouve à l'avant de la pompe (voir la Figure 4).

AVIS : Toujours remplacer l'éjecteur lorsque l'on remplace la pompe d'un puits peu profonds.

4. Brancher la pompe sur le système. S'assurer que tous les raccords du tuyau d'aspiration sont bien étanches, aussi bien à l'air qu'à l'eau. Si le tuyau d'aspiration aspire de l'air, la pompe ne pompera pas l'eau du puits.
5. Régler la hauteur de montage de la pompe de façon que les raccords de plomberie n'exercent aucune contrainte sur le corps de la pompe. Supporter les tuyaux de façon que le corps de la pompe ne supporte pas le poids de la tuyauterie ni des raccords.

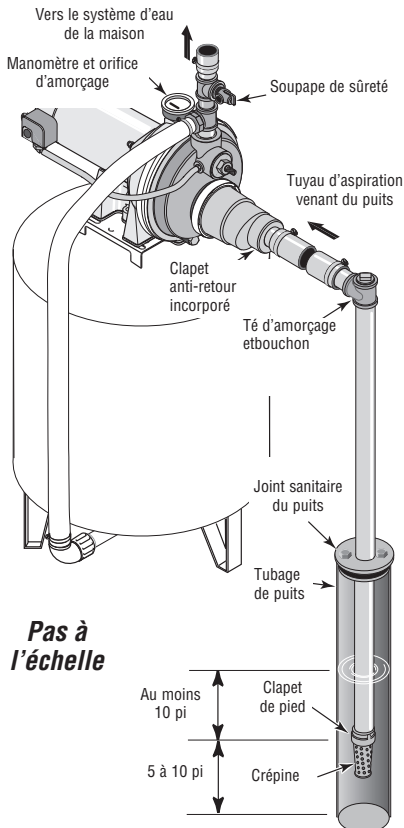
Le branchement de cette pompe à éjecteur neuve pour puits peu profonds sur la tuyauterie du puits est maintenant terminé. Passer à la page 23 pour le branchement du tuyau de refoulement et sur un réservoir.



Installation de la pointe filtrante (Figure 5)

1. Poser la vanne de réglage et le manomètre dans le corps de la pompe (voir la Figure 1).
2. Poser le nécessaire d'éjecteur FP4875 ou le nécessaire FP4855 (les nécessaires sont vendus séparément). Suivre les instructions fournies avec le nécessaire. S'assurer de bien aligner le venturi avec le trou supérieur qui se trouve à l'avant de la pompe (voir la Figure 4).
3. Enfoncer la pointe dans le sol, en utilisant des «raccords d'enfoncement» et des «chapeaux de battage». Les «raccords d'enfoncement» sont filetés sur toute leur longueur, ce qui permet aux extrémités des tuyaux de venir en butée l'une contre l'autre de façon que la force d'enfoncement du maillet soit absorbée par le tuyau et non pas par les filets. Les raccords ordinaires que l'on trouve dans les quincailleries ne sont pas filetés sur toute leur longueur et ils risquent de s'écraser sous l'impact des coups. Les «raccords d'enfoncement» sont également plus lisses que les raccords de plomberie standard, ce qui leur permet de pénétrer plus facilement dans le sol.
4. Monter la pompe aussi près que possible du puits.
5. Utiliser le moins possible de raccords (en particulier des coudes) lorsque l'on branche la tuyauterie de la pointe filtrante sur l'orifice d'aspiration de la pompe. Le diamètre du tuyau d'aspiration doit être au moins aussi grand que le diamètre de l'orifice d'aspiration de la pompe (y compris le clapet anti-retour - voir la Figure 5). Supporter le tuyau de façon qu'il ne soit pas cintré afin qu'il n'exerce pas de contraintes sur le corps de la pompe; de plus, il doit être légèrement incliné vers le haut, du puits jusqu'à la pompe (les points hauts risquent de causer des poches et des bouchons d'air dans la pompe). N'utiliser que du ruban ¹Téflon™ ou de la pâte pour raccords filetés approuvée sur les tuyaux en PVC. Les raccords doivent être étanches à l'air et à l'eau. Si le tuyau d'aspiration aspire de l'air, la pompe ne pompera pas l'eau du puits. Si une pointe filtrante ne fournit pas suffisamment d'eau, considérer brancher deux ou trois pointes filtrantes sur un même tuyau d'aspiration.

Figure 5 : Installation avec une pointe filtrante



Installation sur un puits à tubage de 2 pouces de diamètre ou plus grand (Figure 6)

1. Poser la vanne de réglage et le manomètre dans le corps de la pompe (voir la Figure 1).
2. Poser le nécessaire d'éjecteur FP4875 ou le nécessaire FP4855 (les nécessaires sont vendus séparément). Suivre les instructions fournies avec le nécessaire. S'assurer de bien aligner le venturi avec le trou supérieur qui se trouve à l'avant de la pompe (voir la Figure 4).
3. Monter la pompe aussi près que possible du puits.
4. Brancher le clapet de pied, la crépine et le tuyau du puits (voir la Figure 6). S'assurer que le clapet de pied fonctionne librement.
5. Abaisser le tuyau dans le puits jusqu'à ce que la crépine soit à cinq pieds du fond du puits. Pour que la pompe n'aspire pas d'air, la crépine doit être au moins à 10 pieds sous le niveau de l'eau du puits pendant que la pompe fonctionne. Poser un joint sanitaire de puits.
6. Poser le té d'amorçage, le bouchon d'amorçage et le tuyau d'aspiration sur la pompe (voir la Figure 6). Brancher le tuyau provenant du puits sur l'orifice d'aspiration de la pompe en utilisant le moins possible de raccords - en particulier des coudes - étant donné que les raccords augmentent le frottement de l'eau dans

Figure 6 : Installation dans un puits à tubage

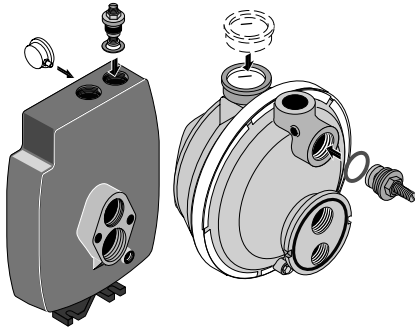


Figure 7 : Poser la vanne de réglage et le manomètre

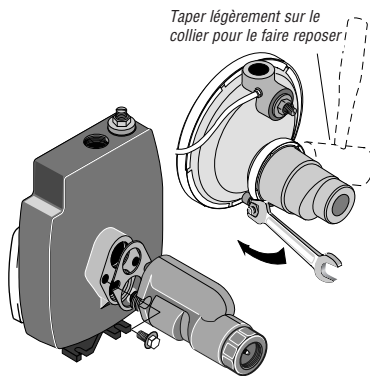


Figure 8 : Poser l'éjecteur

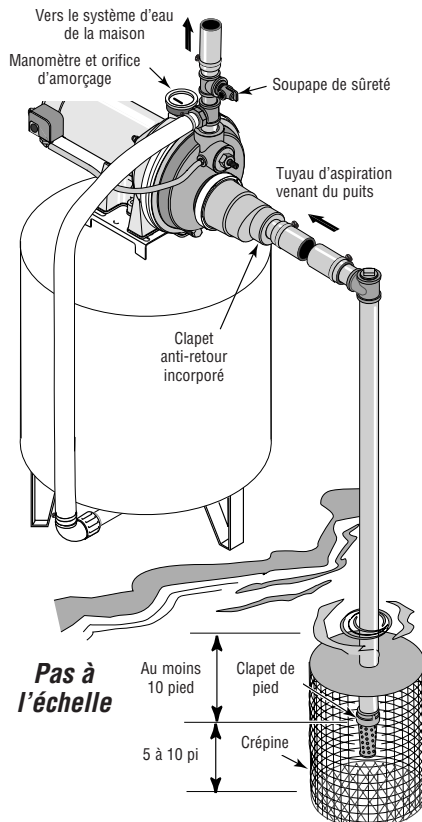


Figure 9 : Installation pour les eaux de surface

les tuyaux. Le diamètre du tuyau d'aspiration doit être au moins aussi grand que le diamètre de l'orifice d'aspiration de la pompe. Supporter le tuyau de façon qu'il ne soit pas cintré afin qu'il n'exerce pas de contraintes sur le corps de la pompe; de plus, il doit être légèrement incliné vers le haut, du puits jusqu'à la pompe (les points hauts risquent de causer des poches et des bouchons d'air dans la pompe). Rendre étanches les raccords du tuyau d'aspiration avec du ruban Téflon™ ou une pâte pour raccords filetés à base de Téflon™. Les raccords doivent être étanches à l'air et à l'eau. Si le tuyau d'aspiration aspire de l'air, la pompe ne pompera pas l'eau du puits.

Le branchement de cette pompe à éjecteur neuve pour puits profonds sur la tuyauterie du puits est maintenant terminé. Passer à la page 23 pour le branchement du tuyau de refoulement et sur un réservoir.

Installation dans le cas d'eaux en surface

1. Poser la vanne de réglage et le manomètre dans le corps de la pompe (voir la Figure 7).
2. Poser le nécessaire d'éjecteur FP4875 ou le nécessaire FP4855 (les nécessaires sont vendus séparément). Suivre les instructions fournies avec le nécessaire. S'assurer de bien aligner le venturi avec le trou supérieur qui se trouve à l'avant de la pompe (voir la Figure 8).
3. Monter la pompe aussi près que possible du puits en utilisant le moins possible de raccords (en particulier des coudes) sur le tuyau d'aspiration. Le diamètre du tuyau d'aspiration doit être au moins aussi grand que le diamètre de l'orifice d'aspiration de la pompe.
4. Assembler le clapet de pied et le tuyau d'aspiration (voir la Figure 9). S'assurer que le clapet de pied fonctionne librement. Utiliser du ruban Téflon™ ou de la pâte pour raccords filetés à base de Téflon™ sur les raccords filetés. Poser une crépine autour du clapet de pied pour le protéger contre les poissons, les déchets, etc. (voir la Figure 9).
5. Abaisser le tuyau dans le puits jusqu'à ce que la crépine soit à cinq pieds du fond du puits. Pour que la pompe n'aspire pas d'air, la crépine doit être au moins à 10 pieds sous le niveau de l'eau du puits pendant que la pompe fonctionne.
6. Poser le té d'amorçage, le bouchon d'amorçage et le tuyau d'aspiration sur la pompe (voir la Figure 9). Supporter le tuyau de façon qu'il ne soit pas cintré afin qu'il n'exerce pas de contraintes sur le corps de la pompe; de plus, il doit être légèrement incliné vers le haut, du puits jusqu'à la pompe (les points hauts risquent de causer des poches et des bouchons d'air dans la pompe). Rendre étanches les raccords du tuyau d'aspiration avec du ruban Téflon™ ou une pâte pour raccords filetés à base de Téflon™. Les raccords doivent être étanches à l'air et à l'eau. Si le tuyau d'aspiration aspire de l'air, la pompe ne pompera pas l'eau du puits.

Le branchement de cette pompe à éjecteur neuve pour puits profonds sur la tuyauterie du puits est maintenant terminé. Passer à la page 23 pour le branchement du tuyau de refoulement et sur un réservoir.

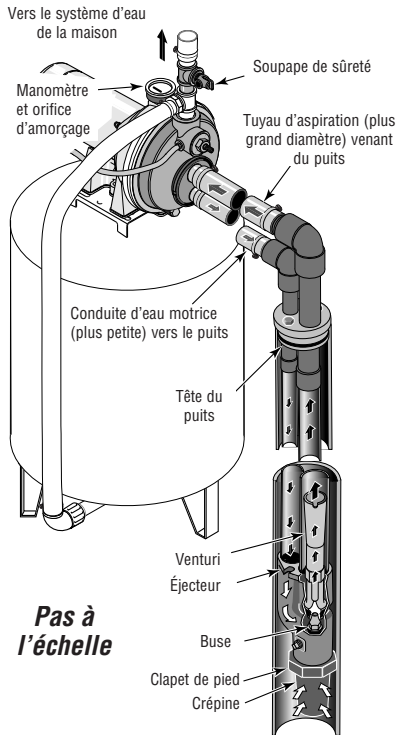


Figure 10 : Puits profond de 4 pouces et de plus grand diamètre

Puits de 4 pouces de diamètre ou plus grand (Figure 10)

1. Poser la vanne de réglage et le manomètre dans le corps de la pompe (voir la Figure 7).
2. Assembler le nécessaire d'éjecteur FP4800 (vendu séparément). Voir la Figure 10. Suivre les instructions fournies avec le nécessaire de façon à assortir la buse et le venturi en fonction des conditions du puits.
3. Monter la pompe aussi près que possible du puits.
4. Brancher deux tuyaux (de 1 pouce pour l'eau motrice, de 1-1/4 pouce pour l'aspiration) sur l'éjecteur et abaisser l'éjecteur dans le puits jusqu'à ce qu'il soit à cinq pieds du fond du puits. Pour que la pompe n'aspire pas d'air, l'éjecteur doit également être à au moins 10 pieds sous le niveau de l'eau pendant que la pompe fonctionne.
5. Poser un joint sanitaire de puits et brancher la tuyauterie de l'éjecteur sur la pompe. Dans le cas de tuyaux en plastique souples, utiliser des raccords en acier là où les tuyaux traversent le joint d'étanchéité du puits pour éviter d'écraser les tuyaux lors du serrage du joint.
6. Supporter le tuyau de façon qu'il ne soit pas cintré afin qu'il n'exerce pas de contraintes sur le corps de la pompe; de plus, il doit être légèrement incliné vers le haut, du puits jusqu'à la pompe (les points hauts risquent de causer des poches et des bouchons d'air dans la pompe). Rendre étanches les raccords du tuyau d'aspiration avec du ruban Téflon™ ou une pâte pour raccords filetés à base de Téflon™. Les raccords doivent être étanches à l'air et à l'eau. Si le tuyau d'aspiration aspire de l'air, la pompe ne pompera pas l'eau du puits.

Le branchement de cette pompe à éjecteur neuve pour puits profonds à un seul tuyau est maintenant terminé. Passer à la page 23 pour le branchement du tuyau de refoulement et sur un réservoir.

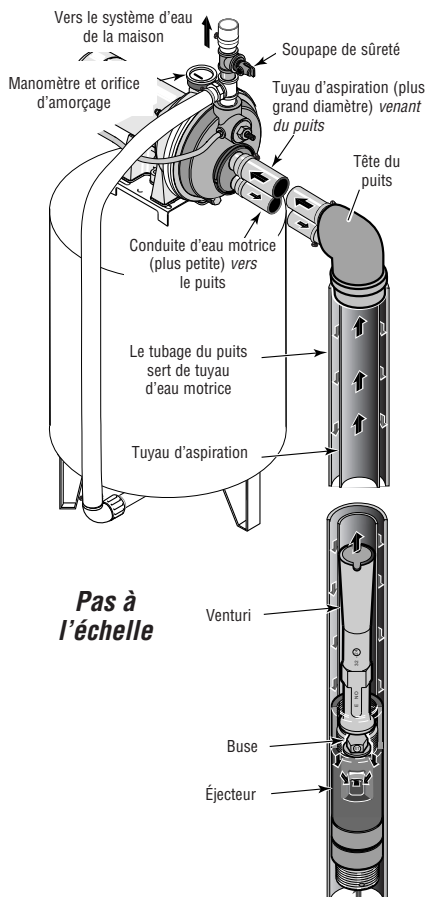


Figure 11 : Puits profond de 2 pouces (à un seul tuyau)

Puits de 2 pouces (Figure 11)

1. Poser la vanne de réglage et le manomètre dans le corps de la pompe (voir la Figure 7).
2. Monter la pompe aussi près que possible du puits.
3. Assembler le nécessaire d'éjecteur FP4840 (vendu séparément), la tuyauterie du puits et l'adaptateur de la tête du puits conformément aux instructions fournies avec l'éjecteur. Voir la Figure 11. Utiliser un tuyau de descente galvanisé muni de raccords usinés pour assurer un débit adéquat. Suivre les instructions fournies avec le nécessaire de façon à assortir la buse et le venturi aux conditions du puits.
4. Poser deux tuyaux (un de petit diamètre pour l'eau motrice, un de plus gros diamètre pour l'aspiration) entre le puits et la pompe. Supporter le tuyau de façon qu'il ne soit pas cintré afin qu'il n'exerce pas de contraintes sur le corps de la pompe; de plus, il doit être légèrement incliné vers le haut, du puits jusqu'à la pompe (les points hauts risquent de causer des poches et des bouchons d'air dans la pompe). Rendre étanches les raccords du tuyau d'aspiration avec du ruban Téflon™ ou une pâte pour raccords filetés à base de Téflon™. Les raccords doivent être étanches à l'air et à l'eau. Si le tuyau d'aspiration aspire de l'air, la pompe ne pompera pas l'eau du puits.

Le branchement de cette pompe à éjecteur neuve pour puits profonds à un seul tuyau est maintenant terminé. Passer à la page 23 pour le branchement du tuyau de refoulement et sur un réservoir.

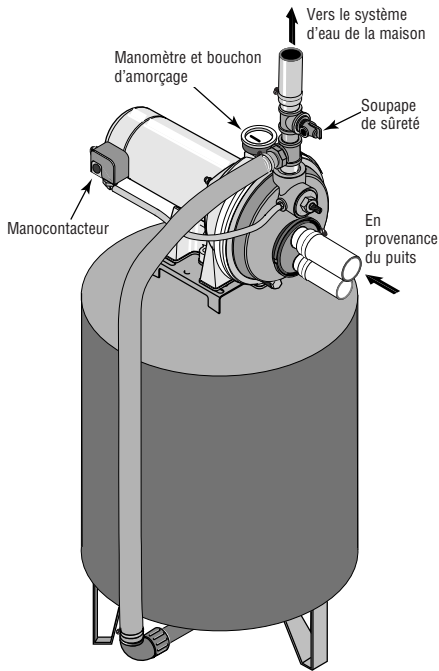


Figure 12 : Branchements sur un réservoir préchargé

Branchement sur un réservoir préchargé (Figure 12)

1. Poser un raccord court et un té dans l'orifice de refoulement de la pompe (voir la Figure 12). Le diamètre du tuyau doit être au moins aussi grand que le diamètre de l'orifice de refoulement. Poser un tuyau rigide ou un tuyau souple renforcé entre une des branches du té et l'orifice du réservoir préchargé.
2. Poser un deuxième raccord court et un deuxième té; poser une soupape de sûreté dans le té.
3. Brancher l'autre extrémité du deuxième té de refoulement sur le système de la plomberie.
4. Vérifier la précharge d'air dans le réservoir avec un manomètre pour pneu. La précharge doit être de 2 lb/po² inférieure au réglage de la pression d'enclenchement du manoccontacteur de la pompe. La précharge se mesure lorsqu'il n'y a pas de pression d'eau dans le réservoir. Cette pompe neuve est équipée d'un manoccontacteur 30/50 lb/po²; la pression de précharge du réservoir devra donc être réglée à 28 lb/po².

Le branchement de la pompe à éjecteur sur le réservoir est maintenant terminé. Passer aux pages 24 et 25 pour les branchements électriques.

Branchement sur un réservoir standard (Figure 13)

1. Poser un raccord court et un té dans l'orifice de refoulement de la pompe. Poser une soupape de sûreté dans une des branches du té.
2. Poser un deuxième raccord court et un deuxième té dans la branche libre du premier té. Poser un bouchon d'amorçage dans une des branches du deuxième té.
3. Poser un tuyau entre la branche libre du deuxième té et l'orifice d'admission du réservoir. Le diamètre du tuyau doit être au moins aussi grand que le diamètre de l'orifice de refoulement de la pompe.
4. Déposer le bouchon fileté de 1/8 de pouce NPT de l'orifice du contrôleur d'air de la pompe (voir la Figure 13). Poser un tube entre l'orifice du contrôleur d'air de la pompe et l'orifice du contrôleur d'air monté sur le réservoir. Pour plus de détails, se reporter aux instructions fournies avec le réservoir et le contrôleur d'air.

Le branchement de la pompe à éjecteur sur le réservoir est maintenant terminé. Passer aux pages 24 et 25 pour les branchements électriques.

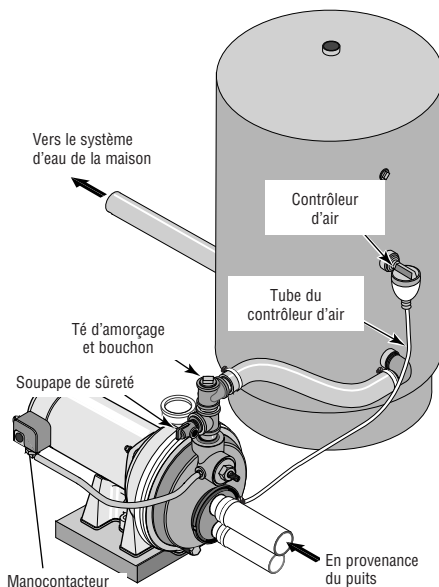


Figure 13 : Branchements sur un réservoir standard

Étanchéité des raccords des tuyaux

N'utiliser que du ruban ¹Téflon™ ou de la pâte d'étanchéité pour raccords filetés à base de Téflon™ pour procéder à tous les raccords filetés sur la pompe. **Ne pas utiliser de pâte pour raccords filetés sur les pompes en plastique** : cette pâte peut réagir avec les éléments en plastiques de la pompe. S'assurer que tous les raccords du tuyau d'aspiration sont bien étanches, aussi bien à l'air qu'à l'eau. *Si le tuyau d'aspiration aspire de l'air, la pompe ne pompera pas l'eau du puits.*

¹ E. I. DuPont de Nemours and Company Corporation, Delaware

⚠ Débrancher le courant électrique avant d'intervenir sur la pompe, le moteur, le manostat ou le câblage.

Réglages de l'interrupteur du moteur

AVIS : Les moteurs de 1/2 cheval sont des moteurs bitension. Ils ont été réglés en usine pour fonctionner sur le courant de 115 V. Les moteurs de 3/4 et de 1 cheval sont des moteurs bitension. Ils ont été réglés en usine pour fonctionner sur le courant de 230 V. La plaquette de connexions des moteurs (logée sous le couvercle arrière du moteur) ressemble à une de celles illustrées ci-dessous. Se reporter aux instructions pour régler le moteur conformément à la source d'énergie.

⚠ AVERTISSEMENT Ne jamais brancher un moteur réglé à 115 V à une source d'alimentation de 230 V.

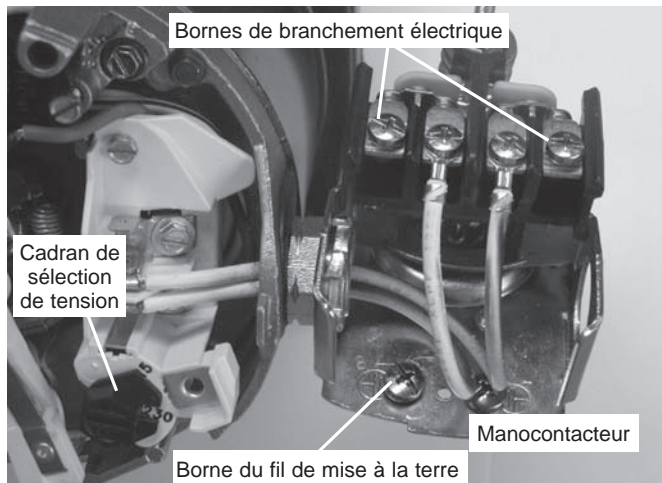


Figure 14 : Tension réglée à 230 V sur sélecteur à cadran

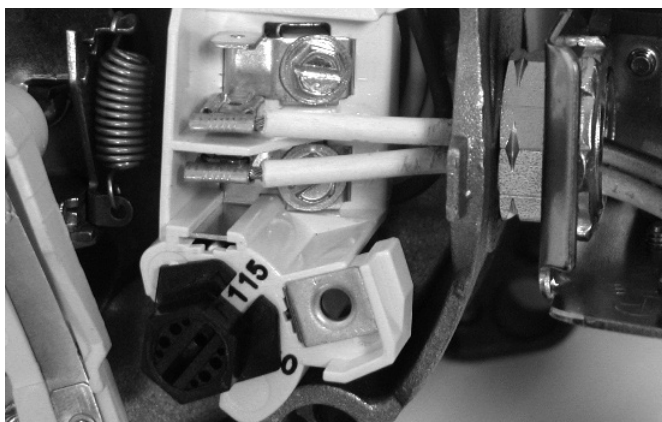


Figure 15 : Tension réglée à 115 V sur sélecteur à cadran

Sélecteur de tension à cadran

La tension est réglée en usine à 230 V. Pour passer au courant de 115 V :

1. S'assurer que le courant est coupé.
2. Tourner le cadran dans le sens des aiguilles d'une montre jusqu'à ce que le nombre 115 soit visible dans la fente du cadran (Figure 15).
3. Fixer les fils d'arrivée de courant aux deux vis extérieures du manostat (Figure 14).
4. Relier le fil de terre aux bornes de raccord de mise à la terre (Figure 14).
5. S'il y a d'autres fils, leurs bouts doivent être isolés.
6. Reposer le couvercle d'extrémité du moteur.

⚠ AVERTISSEMENT Tension dangereuse. Risque de secousses électriques, de brûlures, voire la mort. Brancher le fil de terre avant de brancher les fils de tension. Utiliser des fils de calibre spécifié (y compris le fil de terre) dans le tableau de câblage. Dans la mesure du possible, brancher la pompe sur un circuit séparé, sur lequel aucun autre appareil ne sera branché.

⚠ AVERTISSEMENT Risque d'explosion. Ne pas mettre à la terre sur une conduite de gaz.

Connexions des fils

⚠ AVERTISSEMENT **Risque d'incendie.** L'utilisation d'une mauvaise tension risque de causer un incendie ou d'endommager gravement le moteur et d'annuler la garantie. La tension d'alimentation doit correspondre à $\pm 10\%$ de la tension figurant sur la plaque signalétique du moteur.

AVIS : Les moteurs bi-tension peuvent fonctionner sur le courant de 115 ou de 230 V. Au besoin, régler le moteur sur la tension désirée, comme il est indiqué. Ne pas modifier le câblage des moteurs fonctionnant sur une tension.

Installer la pompe, la mettre à la terre, la câbler et l'entretenir conformément au National Electrical Code (NEC) ou au Code canadien de l'électricité, selon le cas, et conformément à tous les codes et décrets en vigueur de la municipalité. Consulter l'inspecteur des bâtiments de la localité pour plus de renseignements sur les codes.

Méthodes de connexion :

- 1 ° Brancher tout d'abord le fil de mise à la terre, comme il est illustré à la Figure 14. Le fil de mise à la terre doit être un fil de cuivre massif d'un diamètre au moins aussi gros que le diamètre des fils de tension.
- 2 ° Il doit y avoir un raccordement en métal solide entre le manostat et le moteur pour une protection à la terre du moteur. Si le manostat n'est pas branché sur le moteur, brancher la vis verte de mise à la terre du manostat sur la vis verte de mise à la terre qui se trouve sous le couvercle du moteur. Utiliser un fil de cuivre massif ayant un diamètre au moins aussi gros que celui des fils de tension.
- 3 ° Brancher le fil de mise à la terre sur le fil de mise à la terre du tableau de distribution, sur un tuyau métallique d'eau enterré, sur le tubage d'un puits en métal ayant au moins 10 pieds (3 m) de long, ou sur une électrode de mise à la terre que fournira la compagnie d'électricité.
- 4 ° Brancher les fils de tension sur le manostat, comme il est illustré à la Figure 14. Le câblage de la pompe est maintenant terminé.
Se reporter à la page 25 pour les préparations avant le démarrage.

Tableau de câblage - Câbles et diamètres des fusibles recommandés

Puissance du moteur en ch	Tension	Charge max. en ampères	Fusible Intensité en ampères	Distance en pieds entre le moteur et le courant d'alimentation				
				1 - 100	101 - 200	201 - 300	301 - 400	401 - 500
				Diamètre du fil - calibre awg (mm ²)				
1/2	115/230	9,9/4,95	15/15	14/14 (2/2)	14/14 (2/2)	12/14 (3/2)	10/14 (5,5/2)	10/12 (5,5/3)
3/4	115/230	12,2/6,1	20/15	14/14 (2/2)	10/14 (5,5/2)	8/14 (7/2)	8/14 (7/2)	6/12 (9/3)
1	115/230	14,8/7,4	20/15	12/14 (3/2)	10/14 (5,5/2)	8/12 (7/3)	8/12 (7/3)	6/12 (9/3)

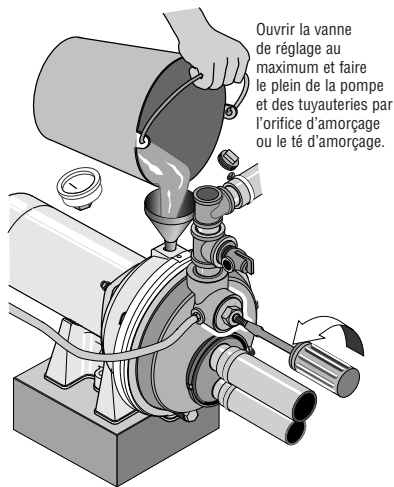


Figure 16 : Remplissage de la pompe

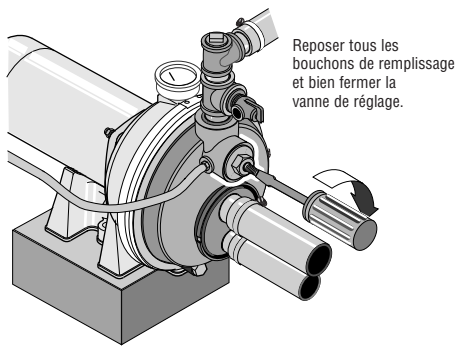


Figure 17 : Amorçage de la pompe

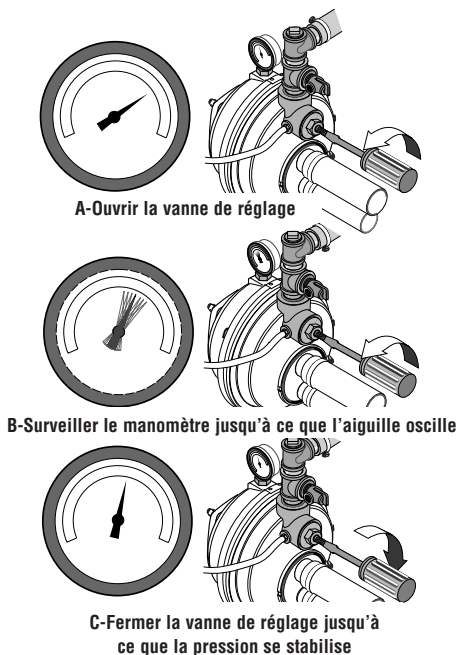


Figure 18 : Régler la vanne de réglage

⚠ ATTENTION Ne jamais faire fonctionner la pompe à sec. Faire fonctionner la pompe sans eau risque de causer une surchauffe de la pompe, d'endommager les joints et, possiblement, causer des brûlures aux personnes qui manipuleront la pompe. Faire le plein d'eau de la pompe avant de la démarrer.

⚠ AVERTISSEMENT Ne jamais faire fonctionner la pompe contre un refoulement fermé, sinon l'eau risque de bouillir à l'intérieur de la pompe, une accumulation dangereuse de pression risque de se produire, un danger d'explosion risque de s'ensuivre et les personnes qui manipuleront la pompe pourront peut-être être ébouillantées.

1. Ouvrir au maximum la vanne de réglage (voir la Figure 16), déposer le bouchon d'amorçage de la pompe, puis faire le plein de la pompe, de toutes les tuyauteries entre la pompe et le puits et s'assurer que toutes les tuyauteries du puits sont pleines d'eau. Si un té d'amorçage a été posé sur le tuyau d'aspiration, déposer le bouchon du té et faire le plein de la tuyauterie d'aspiration.
2. Reposer tous les bouchons de remplissage et fermer complètement la vanne de réglage (voir la Figure 17).
3. Ouvrir plusieurs robinets d'eau de l'habitation pour chasser l'air emprisonné dans les conduites. Établir le courant! Démarrer la pompe et surveiller le manomètre. Au fur et à mesure que la pompe s'amorce, la pression doit rapidement monter jusqu'à 50 lb/po².
4. Après 2 ou 3 minutes, le manomètre doit indiquer la pression. Sinon, arrêter la pompe, déposer les bouchons de remplissage, rouvrir la vanne de réglage et refaire le plein de la pompe et des tuyauteries. Il sera peut-être nécessaire de répéter cette opération deux ou trois fois de façon à chasser tout l'air pouvant être emprisonné dans les tuyauteries. Ne pas oublier de refermer la vanne de réglage avant de redémarrer la pompe.
5. Dès que la pression est accumulée et maintenue par la pompe, ouvrir lentement la vanne de régulation (voir la Figure 18) pour que l'eau circule dans les conduites de l'habitation. Observer la pression indiquée par l'aiguille du manomètre. Continuer de tourner la vanne de régulation jusqu'à ce qu'elle soit complètement ouverte ou jusqu'à ce que l'aiguille du manomètre commence à osciller. Dès que l'aiguille du manomètre commence à osciller, refermer lentement la vanne de régulation jusqu'à ce que l'aiguille cesse d'osciller. La pompe fonctionne maintenant à son rendement maximal.
6. Fermer tous les robinets. Après que la pression se sera accumulée dans le système et que la pompe se sera arrêtée, vérifier le fonctionnement du manocontacteur en ouvrant un ou deux robinets du système; laisser couler suffisamment d'eau pour dissiper la pression jusqu'à ce que la pompe redémarré. La pompe doit redémarrer lorsque la pression chute à 30 lb/po² et s'arrêter lorsque la pression atteint 50 lb/po². Faire fonctionner la pompe pendant un ou deux cycles complets pour confirmer son bon fonctionnement. Ceci permettra également de nettoyer le système de toute la saleté et de tout le tartre qui se seront détachés pendant l'installation.

Félicitations pour une installation réussie.

Si l'installation n'est pas réussie, se reporter à la *Diagnostic des pannes* ou appeler notre personnel technique du service à la clientèle.

Merci d'avoir acheté un produit Simer.

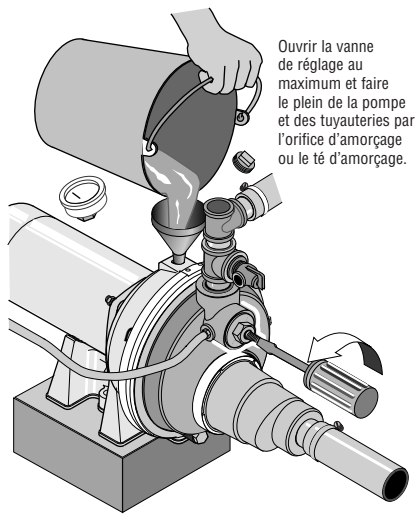


Figure 19 : Ouvrir la vanne de réglage

⚠ ATTENTION Ne jamais faire fonctionner la pompe à sec. Faire fonctionner la pompe sans eau risque de causer une surchauffe de la pompe, d'endommager les joints et, possiblement, causer des brûlures aux personnes qui manipuleront la pompe. Faire le plein d'eau de la pompe avant de la démarrer.

⚠ AVERTISSEMENT Ne jamais faire fonctionner la pompe contre un refoulement fermé, sinon l'eau risque de bouillir à l'intérieur de la pompe, une accumulation dangereuse de pression risque de se produire, un danger d'explosion risque de s'ensuire et les personnes qui manipuleront la pompe pourront peut-être être ébouillantées.

1. Ouvrir au maximum la vanne de réglage (voir la Figure 19), déposer le bouchon d'amorçage de la pompe, puis faire le plein de la pompe, de toutes les tuyauteries entre la pompe et le puits et s'assurer que toutes les tuyauteries du puits sont pleines d'eau. Si un té d'amorçage a été posé sur le tuyau d'aspiration, déposer le bouchon du té et faire le plein de la tuyauterie d'aspiration.
2. Reposer tous les bouchons filetés. Laisser la vanne de réglage ouverte (dans les puits peu profonds, la vanne de réglage reste toujours ouverte).
3. Établir le contact! Démarrer la pompe. La pompe doit pomper l'eau dans les deux ou trois minutes qui suivent.
4. Si la pompe ne pompe pas d'eau dans les 2 ou 3 minutes qui suivent, l'arrêter et déposer les bouchons de remplissage. Faire le plein de la pompe et des tuyauteries. Il faudra peut-être répéter cette opération deux ou trois fois de façon à chasser tout l'air pouvant être emprisonné dans la tuyauterie. La vanne de réglage reste ouverte pendant cette opération.
5. Après que la pression se sera accumulée dans le système et que la pompe se sera arrêtée, vérifier le fonctionnement du manocontacteur en ouvrant un ou deux robinets du système; laisser couler suffisamment d'eau pour dissiper la pression jusqu'à ce que la pompe redémarre. La pompe doit redémarrer lorsque la pression chute à 30 lb/po² et s'arrêter lorsque la pression atteint 50 lb/po². Faire fonctionner la pompe pendant un ou deux cycles complets pour confirmer son bon fonctionnement. Ceci permettra également de nettoyer le système de toute la saleté et de tout le tartre qui se seront détachés pendant l'installation.

Félicitations pour une installation réussie.

Si l'installation n'est pas réussie, se reporter à la Section *Diagnostic des pannes* ou appeler notre personnel technique du service à la clientèle.

Merci d'avoir acheté un produit Simer.

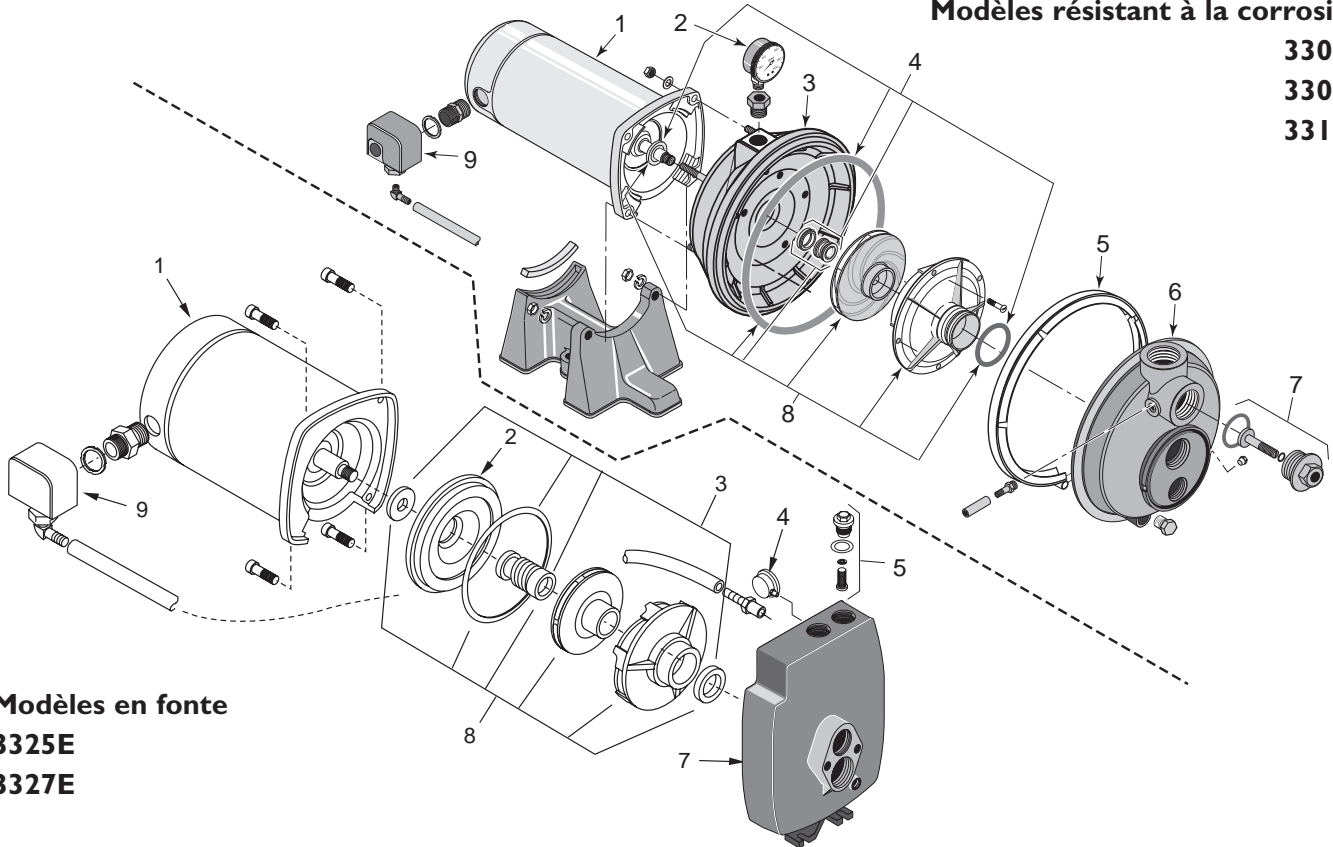
Symptômes	Causes probables	Remèdes
Le moteur ne tourne pas	Le sectionneur est ouvert	S'assurer que le sectionneur est enclenché.
	Le fusible est sauté ou le disjoncteur est déclenché	Remplacer le fusible ou réenclencher le disjoncteur.
	L'interrupteur de démarrage est défectueux	COUPER L'ARRIVÉE DE COURANT; remplacer l'interrupteur de démarrage.
	Les fils côté moteur sont desserrés, débranchés ou mal branchés	Se reporter aux instructions sur le câblage (page 24). COUPER L'ARRIVÉE DE COURANT; vérifier tout le câblage et le resserrer. ⚠ AVERTISSEMENT La tension du condensateur peut être dangereuse. Pour décharger le condensateur du moteur, tenir un tournevis à manche isolé PAR LE MANCHE et mettre en court-circuit les bornes du condensateur. Ne pas toucher la lame métallique du tournevis ni les bornes du condensateur. En cas de doute, consulter un électricien qualifié.
	Les contacts du pressostat sont sales	COUPER L'ARRIVÉE DE COURANT, puis nettoyer les contacts avec un morceau de toile émeri ou une lame à ongles.
Le moteur chauffe et le dispositif de protection contre les surcharges se déclenche	Le moteur est mal câblé	Se reporter aux instructions concernant le câblage.
	La tension est trop faible	S'adresser à la compagnie d'électricité. Poser des câbles plus gros si le diamètre des fils est trop petit (voir Électricité/Tableau de câblage).
	La pompe fonctionne trop fréquemment.	Se reporter ci-dessous si la pompe démarre trop fréquemment.
Le moteur fonctionne mais la pompe ne débite pas d'eau * * Arrêter la pompe, puis vérifier l'amorçage avant de rechercher toute autre cause. Dévisser le bouchon d'amorçage et voir si le trou d'amorçage contient de l'eau.	Dans une installation nouvelle, la pompe ne s'est pas amorcée à cause : 1. D'un mauvais amorçage 2. De prises d'air 3. De fuites du clapet de non retour ou du clapet de pied.	Dans le cas d'une installation neuve : 1. Réamorcer la pompe conformément aux instructions. 2. Vérifier tous les raccords de la conduite d'aspiration, du régulateur de volume d'air et de l'éjecteur. 3. Remplacer le clapet de pied ou le clapet de non retour.
	La pompe s'est désamorcée : 1. À cause de prises d'air 2. Parce que le niveau d'eau est plus bas que la prise d'eau du tuyau d'aspiration.	Dans le cas d'une installation déjà en utilisation : 1. Vérifier tous les raccords de la conduite d'aspiration et le joint de l'arbre. 2. Abaisser la conduite d'aspiration dans l'eau et réamorcer la pompe. Si, dans le puits, la surface libre jusqu'à l'eau dépasse 7,60 mètres (25 pieds), utiliser une pompe pour puits profond.
	Le clapet de pied ou la crépine sont bouchés	Nettoyer le clapet de pied ou la crépine.
	L'éjecteur ou l'impulseur sont bouchés	Nettoyer l'éjecteur ou l'impulseur.
	Le clapet de non retour ou le clapet de pied sont grippés en position fermée	Remplacer le clapet de non retour ou le clapet de pied.
	Les tuyauteries sont gelées.	Dégeler les tuyauteries. Enterrer les tuyauteries sous le point de gélivation. Chauffer la fosse ou le bâtiment où se trouve la pompe.
	Le clapet de pied et/ou la trémie sont enfouis dans le sable ou la boue	Relever le clapet de pied et/ou la crépine plus haut que le fond de la source d'eau. Nettoyer le clapet de pied et la crépine.
	Dans le cas d'un puits peu profond, le niveau de l'eau est trop bas pour que la pompe débite	Utiliser un éjecteur pour puits profonds si la surface libre jusqu'à l'eau dans ce puits est supérieure à 7,60 mètres (25 pieds).
La pompe ne débite pas à pleine capacité. (Vérifier aussi les 3 points immédiatement précités)	Le niveau de l'eau du puits est plus bas que celui estimé	Une nouvelle combinaison buse et venturi est peut-être requise.
	La tuyauterie en acier (le cas échéant) est corrodée ou bouchée par la chaux, ce qui cause un frottement excessif	Dans la mesure du possible, remplacer par des tuyaux en plastique, sinon poser des tuyaux en acier neufs.
	Le diamètre des tuyaux est trop petit	Utiliser des tuyaux de plus grand diamètre.
La pompe débite mais ne s'arrête pas ou bien elle fonctionne trop fréquemment	Le pressostat est déréglé ou bien ses contacts sont soudés ensemble	COUPER L'ARRIVÉE DE COURANT; régler le pressostat ou le remplacer.
	Les robinets du système sont restés ouverts	Les fermer.
	Le venturi, la buse ou l'impulseur sont bouchés	Nettoyer le venturi, la buse ou l'impulseur.
	Le réservoir sous pression standard est saturé d'eau et n'a plus de coussin d'air	Penser à l'idée d'utiliser une pompe à éjecteur pour puits profonds. Vider le réservoir jusqu'à l'orifice du régulateur de volume d'air. Vérifier le régulateur de volume d'air à la recherche de défauts. S'assurer que les raccords n'aspirent pas d'air.
	Les tuyaux fuient	Vérifier les raccords.
	Le clapet de pied fuit	Remplacer le clapet de pied.
	Le pressostat est déréglé	Régler ou remplacer le pressostat.
	La charge d'air dans le réservoir préchargé est trop basse	COUPER L'ARRIVÉE DE COURANT et ouvrir les robinets du système jusqu'à ce que toute la pression soit dissipée. À l'aide d'un manomètre pour pneus, vérifier la pression d'air dans le réservoir par la tige de la valve qui se trouve sur le réservoir. Si la pression est inférieure au réglage de fonctionnement du pressostat entre (206 et 344,7 kPa [30 et 50 lb/po2]), pomper de l'air dans le réservoir à partir d'une source extérieure jusqu'à ce que la pression d'air soit de 2 lb/po2 inférieure au réglage de déclenchement du pressostat. S'assurer que la valve ne fuit pas (l'enduire d'une solution savonneuse); remplacer l'obus de la valve au besoin.
L'air jaillit des robinets du système	La pompe s'amorce	Lorsque la pompe sera amorcée, tout l'air sera chassé.
	Prise d'air côté aspiration de la pompe	Le tuyau d'aspiration aspire de l'air. Vérifier tous les raccords. S'assurer qu'ils sont bien serrés.
	Le puits est gazeux	S'adresser à l'usine pour la possibilité d'installer un manchon dans le puits.
	Surpompage intermittent du puits. (L'eau est pompée plus bas que le clapet de pied.)	Dans la mesure du possible, abaisser le clapet de pied. Sinon, limiter le refoulement de la pompe.

Modèles résistant à la corrosion

3305P

3307P

3310P



Modèles en fonte

3325E

3327E

Réf.	Désignation	Modèle et puissance en ch		
		3305P 1/2 ch	3307P 3/4 ch	3310P 1 ch
1	Moteur	J218-582A-115-PKG	J218-590-PKG	J218-596-PKG
2	Manomètre	TC2104		
3	Corps de la pompe (moitié arrière)	L176-47P		
4	Nécessaire de joints et de bagues d'étanchéité*	FPP1500		
5	Collier de serrage en V	C19-54SS		
6	Corps de la pompe (moitié avant)	L76-37P		
7	Vanne de régulation	L162-10PS		
8	Nécessaire de révision**	FPP1511	FPP1512	FPP1513
9	Pressostat	TC2151		

Réf.	Désignation	Modèle et puissance en ch	
		3325E 1/2HP	3327E 3/4HP
1	Moteur	J218-582A-115-PKG	A100DL
2	Plaque d'étanchéité	N3-1043P	
3	Nécessaire de joints et de bagues d'étanchéité*	FPP1550	
4	Manomètre	TC2104	
5	Vanne de régulation	01322	
7	Corps de la pompe	L76-44	
8	Nécessaire de révision**	FPP1560	FPP1561
9	Manocontacteur	TC2151	

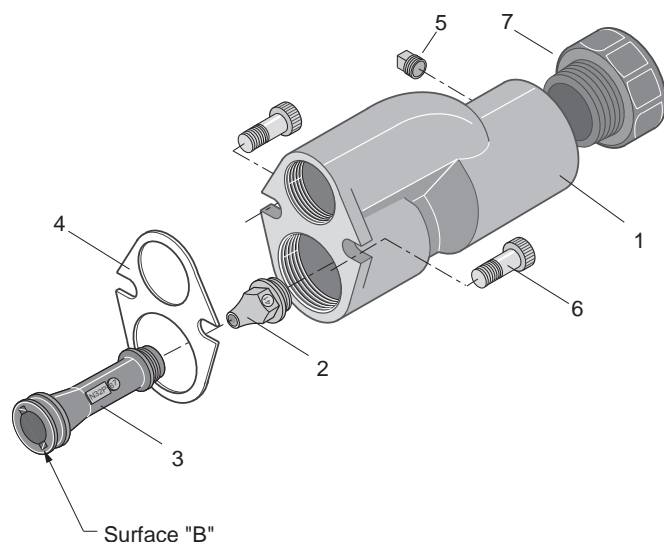
* Comprend : Le déflecteur d'eau, le joint ou le joint torique de la plaque d'étanchéité, le joint d'arbre, le patin du diffuseur et le ou les joints toriques du diffuseur.

** Comprend : Le nécessaire de joints et de bagues d'étanchéité, plus la garniture de la plaque d'étanchéité, l'impulseur et le diffuseur.

Les instructions de réparation sont incluses avec tous les nécessaires de réparation.

Un ensemble d'éjecteur est livrable pour les puits peu profonds ou profonds. La Notice d'utilisation de la pompe décrit les conditions qui définissent le fonctionnement dans un puits peu profond ou profond.

Trousse pour puits peu profond FP4855 Pour 3325E et 3327E

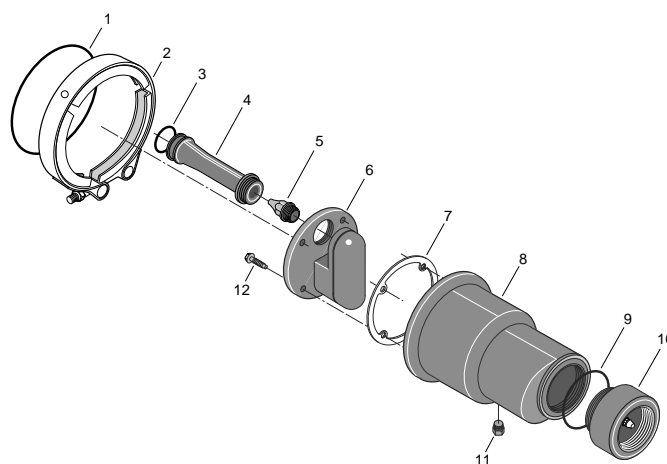


AVIS : Faire bien attention de ne pas endommager la surface d'étanchéité (repéré « Surface B » dans le schéma ci-dessus), sinon il risquera d'y avoir des fuites internes.

Ref.	Désignation	Numéro des pièces
1	Corps de l'éjecteur	N40-92
2	Gicleur (n° 51)	N34P-41
3	Venturi, puits peu profond, 33275	N32P-66B
	Venturi, puits peu profond, 3327E	N32P-67B
4	Joint	N20-25
5	Bouchon fileté	U78-56ZPS
6	Vis à tête creuse (2)	U30-961PS
7	Clapet de non retour	N212-12P

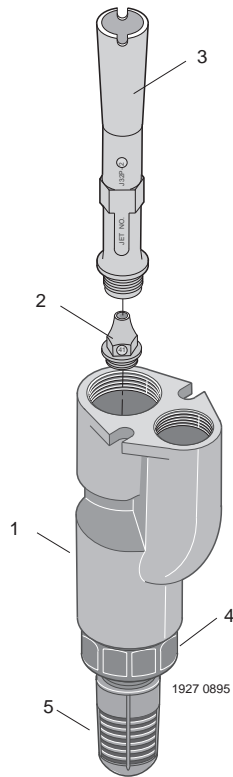
Lire attentivement cette Notice afin de déterminer les conditions de pompage. Il est à noter que le gicleur est déjà installé dans le corps de l'injecteur et qu'il fonctionne aussi bien avec des venturis pour puits peu profonds que profonds.

Trousse pour puits peu profond FP4875 Pour 3305P, 3307P, et 3310P



Ref.	Désignation	Numéro des pièces
1	Joint torique, corps de l'éjecteur	U9-202
2	Collier	J19-6
3	Joint torique, venturi	U9-201
4	Venturi, 3307P	N32P-63
	Venturi, 3310P	N32P-64
	Venturi, 3305P	N32P-72
5	Gicleur (n° 51), 3305P et 3307P	J34P-41
	Gicleur (n° 54), 3310P	J34P-44
6	Pièce intérieure, corps de l'éjecteur	N40-39P
7	Joint	J20-18
8	Corps de l'éjecteur	N40-38P
9	Joint torique, clapet de non retour	U9-226
10	Clapet de non retour - complet	N166-5P
11	Bouchon fileté de 1/8 po NPT - tête carrée	WC78-41T
12	Vis n° 10 - 16 x 1 1/8 po long (4)	U30-742SS

Trousse pour tuyaux jumelés de 4 po Trousse FP4800



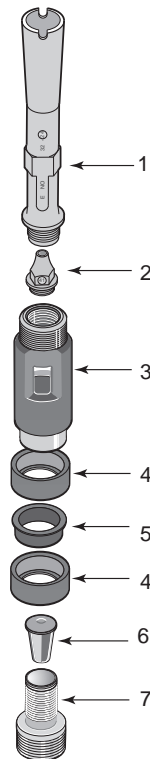
Réf.	Désignation	Numéro des pièces
1	Corps de l'éjecteur	N40-92
2	Gicleur	Voir ci-dessous
3	Venturi	Voir ci-dessous
4	Clapet de non retour	N212-12P
5	Crépine	L8-1P

Gicleur/Venturi Combinaison (Trousse FP4800)

Modele	Profondeurs inférieures à	Gicleur/Venturi	Profondeurs inférieures à	Gicleur/Venturi
3305P	50' (15.2 m)	J34P-41 (#51) / J32P-24	70' (21.3 m)	J34P-42 (#52) / J32P-18
3307P	70' (21.3 m)	J34P-43 (#53) / J32P-24	100' (30.5 m)	N. A.
3310P	90' (27.4 m)		N. A.	
3325E	50' (15.2 m)	J34P-41 (#51) / J32P-24	70' (21.3 m)	J34P-42 (#52) / J32P-18
3327E	70' (21.3 m)		100' (30.5 m)	

AVIS : Si la profondeur de l'eau dans votre puits est supérieure à la distance indiquée dans la colonne de profondeur (pour la pompe), vous DEVEZ utiliser le gicleur et venturi combinaison cotées ou votre pompe ne sera pas capable de soulever l'eau du puits.

Trousse pour tuyaux simples de 2 po Trousse FP4840



Réf.	Désignation	Numéro des pièces
1	Venturi	Voir ci-dessous
2	Gicleur	Voir ci-dessous
3	Corps de l'éjecteur	J40-24
4	Coupelle en cuir (2)	J57-1
5	Entretoise	J43-14P
6	Clapet de non retour	P122-10B
7	Siège de clapet	J66-13
*	Adaptateur de tubage	J216-44
	Raccords décollés 1 1/4 NPT (5)	U11-1

• Pièces non illustrées.

Gicleur/Venturi Combinaison (Trousse FP4840)

Modele	Profondeurs inférieures à	Gicleur/Venturi	Profondeurs inférieures à	Gicleur/Venturi
3305P	50' (15.2 m)	J34P-42 (#52) / J32P-24	70' (21.3 m)	J34P-42 (#52) / J32P-18
3307P	70' (21.3 m)		100' (30.5 m)	
3310P				
3325E	40' (12.3 m)	J34P-44 (#54) / J32P-24	70' (21.3 m)	
3327E	60' (18.3 m)		100' (30.5 m)	

Instrucciones importantes de seguridad

Guarde estas instrucciones - Este manual contiene instrucciones importantes que se deben seguir durante la instalación y el mantenimiento del bombas de sumidero.

⚠ Este es un símbolo de alerta sobre la seguridad. Cuando vea este símbolo en su bomba o en este manual, busque para ver si hay alguna de las siguientes palabras de señal y esté alerta a la posibilidad de lesiones personales.

⚠ PELIGRO indica un riesgo que, de no evitarse, *provocará* la muerte o lesiones de gravedad.

⚠ ADVERTENCIA indica un riesgo que, de no evitarse, *podría* provocar la muerte o lesiones de gravedad.

⚠ PRECAUCIÓN indica un riesgo que, de no evitarse, *podría* provocar lesiones leves o moderadas.

AVISO hace referencia a una práctica no relacionada con una lesión física.

Lea y siga cuidadosamente todas las instrucciones de seguridad en este manual y en la bomba.

Mantenga las etiquetas de seguridad en buenas condiciones. Reemplace las etiquetas de seguridad faltantes o dañadas.

Seguridad eléctrica

⚠ ADVERTENCIA El voltaje del capacitor puede ser peligroso. Para descargar el capacitor del motor, tome un desatornillador con mango aislado POR EL MANGO y ponga en corto las terminales del capacitor. No toque la superficie de metal del desatornillador ni las terminales del capacitor. Si tiene alguna duda, consulte a un electricista calificado.

Seguridad general

⚠ PRECAUCIÓN No toque un motor en operación. Los motores modernos están diseñados para operar a temperaturas altas. Para evitar quemaduras al realizar el servicio a una bomba, déjela enfriar por 20 minutos después de apagarla.

No permita que la bomba o cualquier componente del sistema se congele. Hacerlo invalidará la garantía.

Utilice esta bomba sólo para agua.

Inspeccione la bomba y los componentes del sistema periódicamente.

Utilice gafas de seguridad durante todo el tiempo mientras trabaje en la bomba.

El área de trabajo se debe mantener limpia, ordenada y con iluminación adecuada; guarde las herramientas y el equipo que no utilice en el lugar apropiado.

Mantenga a los visitantes a una distancia segura de las áreas de trabajo.

⚠ ADVERTENCIA El cuerpo de la bomba puede explotar si se utiliza como una bomba propulsora a menos que se instale una válvula de alivio que sea capaz de pasar todo el flujo de la bomba a 75 psi.

⚠ ADVERTENCIA



Voltaje peligroso. Puede ocasionar conmoción, quemaduras e incluso la muerte.

Conecte la bomba a tierra antes de conectarla a la alimentación eléctrica. Desconecte la alimentación de energía antes de trabajar en la bomba, el motor o el tanque.

- ⚠** Conecte el motor al voltaje correcto. Vea la sección "Electricidad" en este manual y la placa del motor.
- ⚠** Conecte el motor a tierra antes de conectarlo a la alimentación de energía.
- ⚠** Cumpla con las indicaciones del Código Nacional Eléctrico, el de Canadá y los códigos locales para toda la conexión eléctrica.
- ⚠** Siga las instrucciones de conexión eléctrica en este manual al conectar el motor a las líneas de energía eléctrica.



⚠ ADVERTENCIA

Presión peligrosa!

Instale una válvula de alivio de presión en la tubería de descarga.

Liberé toda la presión en el sistema antes de trabajar en alguno de los componentes.

Guarde el recibo original para cualquier referencia posterior

Garantía limitada

SIMER le garantiza al comprador consumidor original (el "Comprador" o "Usted") de sus productos, que éstos estarán libres de defectos en materiales y en mano de obra por un período de doce (12) meses, a partir de la fecha de la compra original del consumidor.

Si dentro de los doce (12) meses a partir de la fecha de la compra inicial del consumidor, se comprueba que cualquiera de esos productos es defectuoso, éste será reparado o reemplazado, a la discreción de SIMER, sujeto a los términos y a las condiciones indicadas a continuación. Se necesitará su recibo de compra original y la etiqueta de información sobre la garantía del producto, para determinar la admisibilidad de la garantía. La admisibilidad se basa en la fecha de compra del producto original - no en la fecha de reemplazo bajo la garantía. La garantía está limitada a la reparación o el reemplazo del producto solamente - El comprador pagará todos los costos de remoción, instalación, mano de obra y envío necesarios, así como todo costo adicional asociado.

Si necesita piezas o resolución de problemas, NO regrese el producto a la tienda minorista. Llame el Servicio a la Clientela de SIMER al 1-800-468-7867.

Las reclamaciones bajo esta garantía se deberán realizar mediante la devolución del producto (excepto en el caso de las bombas cloacales, ver a continuación) a la tienda minorista en donde se haya adquirido, inmediatamente después de haber descubierto un supuesto defecto. SIMER entonces tomará la medida correctiva tan pronto como sea razonablemente posible. No se aceptarán solicitudes de servicio, si se reciben más de 30 días después del vencimiento de esta garantía.

Esta garantía no es válida para productos que se utilicen para fines comerciales o de alquiler.

Bombas cloacales

NO devuelva una bomba cloacal (que se haya instalado) a su tienda minorista. Comuníquese con el Departamento de Atención al Cliente de SIMER. Las bombas cloacales que hayan estado en servicio y se hayan removido pueden representar un peligro de contaminación.

Si su bomba cloacal ha fallado:

- Use guantes de caucho cuando manipule la bomba;
- Para los fines de la garantía, devuelva la etiqueta del cordón de la bomba y el recibo de compra original a la tienda minorista;
- Descarte la bomba cumpliendo con todas las normas locales que correspondan para su eliminación.

Excepciones para la garantía limitada de doce (12) meses

Producto	Período de garantía
BW85P, CM10, CMK, M40, M40P	90 días
2300, 2310, 2330, 2520ULST, 2943, 2955, 2956, 2957, 2960, 5023SS, A5500	2 años
Bombas de pozo sumergibles de 4", 2945, 2958, 2975PC, 2985, 3075SS, 3983, 3984, 3963, 3995, 3997	3 años
Tanque precargado del sistema de agua, 3985, 3986, 3988, 3989, 5910, 5950, 5955, 5965, 5975	5 años

Términos y condiciones generales

Usted deberá pagar por todos los gastos de mano de obra y de envío necesarios para reemplazar el producto cubierto por esta garantía. Esta garantía no se aplicará en las siguientes situaciones: (1) caso de fuerza mayor (2) productos que, a sólo juicio de SIMER hayan sido sometidos a negligencia, abuso, accidente, mala aplicación, manejo indebido o alteraciones; (3) fallas debido a instalación, operación, mantenimiento o almacenamiento inadecuados; (4) aplicaciones, usos o servicios que no sean normales o aprobados; (5) fallas provocadas por corrosión, herrumbre u otros materiales extraños en el sistema, o una operación a presiones que excedan los máximos recomendados.

Esta garantía establece la única obligación de SIMER y el recurso exclusivo del Comprador con respecto a los productos defectuosos.

SIMER NO SE HARÁ RESPONSABLE DE NINGÚN DAÑO CONSECUENTE, INCIDENTAL O CONTINGENTE.

LAS GARANTÍAS QUE ANTECEDEN SON EXCLUSIVAS Y REEMPLAZAN TODA OTRA GARANTÍA EXPLÍCITA O IMPLÍCITA, INCLUYENDO PERO SIN LIMITARSE A LAS GARANTÍAS IMPLÍCITAS DE COMERCIABILIDAD E IDONEIDAD PARA UN FIN ESPECÍFICO. LAS GARANTÍAS QUE ANTECEDEN NO SE EXTENDERÁN MÁS ALLÁ DE LA DURACIÓN PROVISTA EN LA PRESENTE.

Algunos Estados no permiten la exclusión o limitación de daños incidentales o consecuentes o de limitaciones de tiempo sobre garantías implícitas, de modo que es posible que las limitaciones o exclusiones que preceden no correspondan en su caso. Esta garantía le otorga derechos legales específicos y es posible que Usted también tenga otros derechos que pueden variar de un Estado al otro.

SIMER • 293 Wright Street • Delavan, WI U.S.A. 53115
Teléfono: 1-800-468-7867 • Fax: 1-800-390-5351 • Sitio Web: SimerPump.com

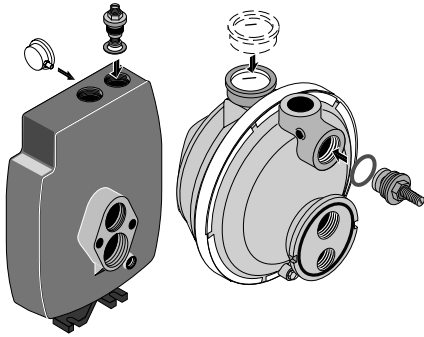


Figura 1: Instale la Válvula de Control y el Medidor de Presión

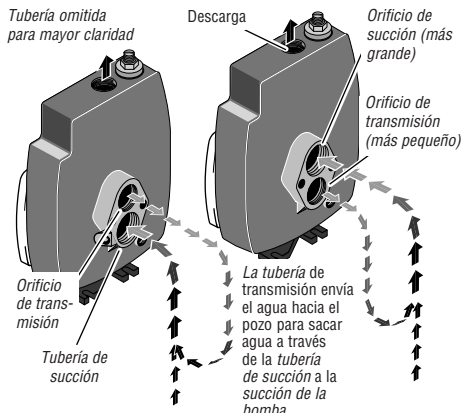


Figura 2: Funciones de Succión y Transmisión

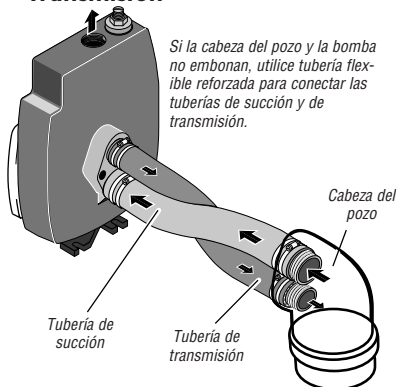


Figura 3: Conexiones Invertidas hacia el Pozo

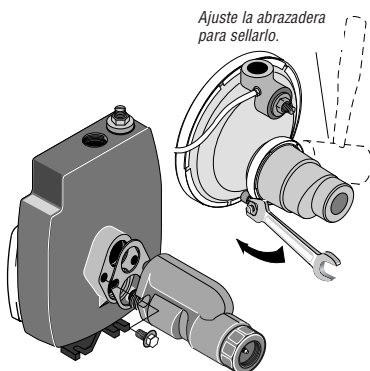


Figura 4: Monte el Ejector - Pozo Poco Profundo

Pozo profundo

⚠ ADVERTENCIA Voltaje peligroso. Desconecte la alimentación de energía de la bomba antes de trabajar en ella o en el motor.

1. Drene y retire la bomba vieja. Revise las condiciones de la tubería, que no tenga óxido, sarro, etc. y reemplácela si es necesario.
2. Instale la válvula de control y el medidor de presión en el cuerpo de la bomba (vea la Figura 1).
3. Si su bomba vieja tiene la tubería de succión (el orificio más grande - vea la Figura 2) debajo del orificio de transmisión, será necesario que instale tubo flexible entre la cabeza del pozo y la bomba para que la conexión sea correcta. (Vea la Figura 3).

AVISO: Es posible que el eyector viejo (en el pozo) no esté conectado adecuadamente a su nueva bomba. Si la bomba no funciona adecuadamente, le recomendamos instalar el kit de eyector FP4800.

4. Instale la bomba en el sistema. Asegúrese que todas las conexiones de la tubería de succión estén herméticamente cerradas y sean a prueba de agua. Si la tubería de succión puede succionar aire, la bomba no podrá sacar agua del pozo.
5. Ajuste la altura del montaje de la bomba para que las conexiones de la tubería no ejerzan una tensión sobre el cuerpo de la bomba. Ponga soportes a la tubería para que el cuerpo de la bomba no soporte el peso de la tubería o de las conexiones.

Usted acaba de realizar la conexión de tubería para su nueva bomba de chorro para pozo profundo. Por favor pase a la página 38 para realizar las conexiones del tanque y de la tubería de descarga.

Pozo poco profundo

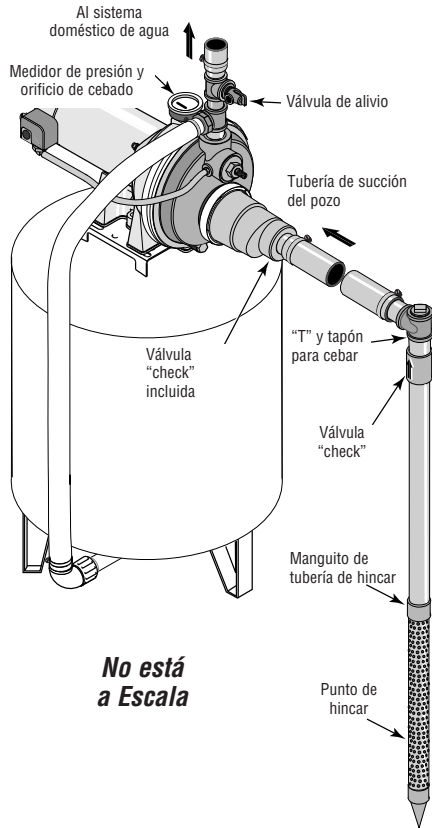
⚠ ADVERTENCIA Voltaje peligroso. Desconecte la alimentación de energía de la bomba antes de trabajar en ella o en el motor.

1. Drene y retire la bomba vieja. Revise las condiciones de la tubería, que no tenga óxido, sarro, etc. y reemplácela si es necesario.
2. Instale la válvula de control y el medidor de presión en el cuerpo de la bomba (vea la Figura 1).
3. Instale el kit de eyector FP4875 o el kit FP4855 (los kits se venden por separado). Siga las instrucciones que vienen incluidas en el kit. Asegúrese de alinear el venturi con el orificio superior en la parte frontal de la bomba (vea la Figura 4).

AVISO: Siempre reemplace el eyector al reemplazar la bomba en una instalación para pozo poco profundo.

4. Instale la bomba en el sistema. Asegúrese que todas las conexiones de la tubería de succión estén herméticamente cerradas y sean a prueba de agua. Si la tubería de succión puede succionar aire, la bomba no podrá sacar agua del pozo.
5. Ajuste la altura del montaje de la bomba para que las conexiones de la tubería no ejerzan una tensión sobre el cuerpo de la bomba. Ponga soportes a la tubería para que el cuerpo de la bomba no soporte el peso de la tubería o de las conexiones.

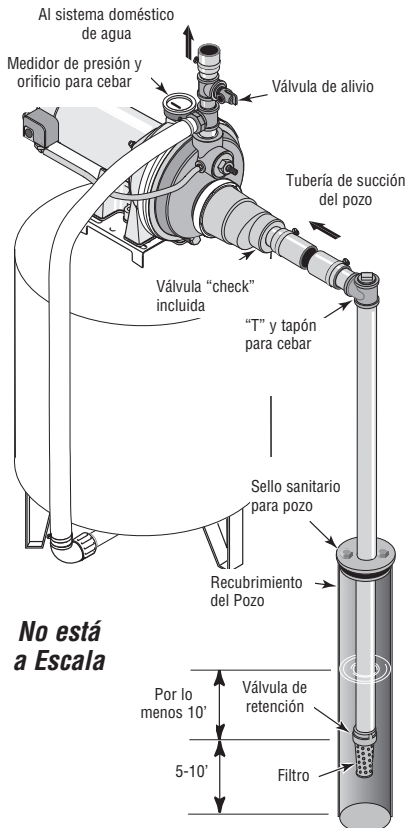
Usted acaba de realizar la conexión de tubería para su nueva bomba de chorro para pozo profundo. Por favor pase a la página 38 para realizar las conexiones del tanque y de la tubería de descarga.



Instalación del punto de pozo (Figura 5)

1. Instale la válvula de control y el medidor de presión en el cuerpo de la bomba (vea la Figura 1).
2. Instale el kit de eyector FP4875 o el kit FP4855 (los kits se venden por separado). Siga las instrucciones que vienen incluidas en el kit. Asegúrese de alinear el venturi con el orificio superior en la parte frontal de la bomba (Vea la Figura 4).
3. Hínque el pozo utilizando "manguitos de tubería de hincar" y una "caperuza para la hincar". Las "conexiones para perforar" están roscadas a todo lo largo y permiten que los extremos de la tubería empalmen para que la fuerza de perforación del mazo sea soportada por la tubería y no por el enroscado. Las conexiones ordinarias que se encuentran en las tlapalerías no están roscadas a todo lo largo y se pueden colapsar por el impacto. Las "conexiones de hincado" también son más suaves que las conexiones de plomería comunes y esto facilita la penetración en el suelo.
4. Monte la bomba tan cerca del pozo como sea posible.
5. Utilice el menor número de conexiones posible (especialmente codos) al conectar la tubería desde el punto del pozo al orificio de succión de la bomba. La tubería de succión debe ser por lo menos del mismo tamaño que el orificio de succión en la bomba (incluya una válvula "check" - Vea la Figura 5). Soporte la tubería para que no haya inclinaciones verticales o hundimientos en ella a fin de que no ejerza tensión sobre el cuerpo de la bomba y con el propósito de que no se incline ligeramente hacia arriba desde el pozo hacia la bomba (los puntos altos pueden ocasionar que se formen bolsas de aire que pueden bloquear la bomba). Utilice cinta de Teflón™ o compuesto para unir tuberías autorizado para utilizarse en PVC. Las juntas deben ser a prueba de agua y estar herméticamente cerradas. Si la tubería de succión pudiera succionar aire, la bomba no podría sacar agua del pozo. Si un punto de pozo no proporciona suficiente agua, considere la posibilidad de conectar dos o tres puntos de pozo a una tubería de succión.

Figura 5: Instalación del Punto de Hincado



Usted acaba de realizar la conexión de tubería de succión para su nueva bomba de chorro para pozo poco profundo. Por favor pase a la página 38 para realizar las conexiones del tanque y de la tubería de descarga.

¹ E. I. DuPont de Demours and Company Corporation, Delaware

Instalación de pozo recubierto con un recubrimiento de 2" o mas (Figura 6)

1. Instale la válvula de control y el medidor de presión en el cuerpo de la bomba (vea la Figura 1).
2. Instale el kit de eyector FP4875 o el kit FP4855 (los kits se venden por separado). Siga las instrucciones que vienen incluidas en el kit. Asegúrese de alinear el venturi con el orificio superior en la parte frontal de la bomba (Vea la Figura 4).
3. Monte la bomba tan cerca del pozo como sea posible.
4. Instale la válvula de retención, el filtro y la tubería del pozo (vea la Figura 6). Asegúrese que la válvula de retención funcione libremente.
5. Baje la tubería hacia el pozo hasta que el filtro se encuentre a cinco pies sobre el fondo del pozo. También debe estar a por lo menos 10 pies debajo del nivel de agua del pozo cuando la bomba esté funcionando a fin de evitar que la bomba succione aire. Instale un sello sanitario para pozo.
6. Instale una "T" para cebar, tapón para cebar y la tubería de succión a la bomba (vea la Figura 6). Conecte la tubería del pozo al orificio de succión de la bomba; utilice el menor número de conexiones posible - especialmente codos - ya que las conexiones incrementan la fricción en la tubería. La tubería de succión debe ser por lo menos del mismo tamaño que el orificio de succión en la bomba. Soporte la tubería para que no haya inclinaciones verticales o hundimientos en ella a fin de que no ejerza tensión sobre el cuerpo de la bomba y con el propósito de que no

Figura 6: Instalación de Pozo Recubierto

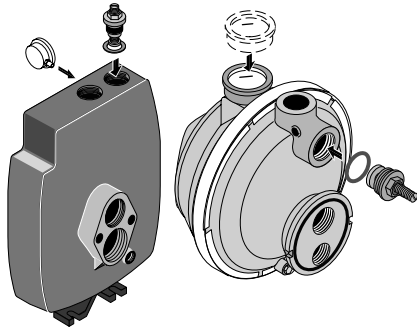


Figura 7: Instale la Válvula de Control y el Medidor de Presión

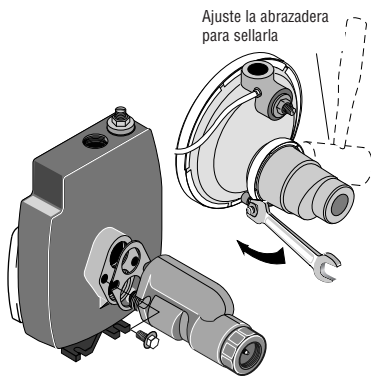


Figura 8: Instale el Eyector

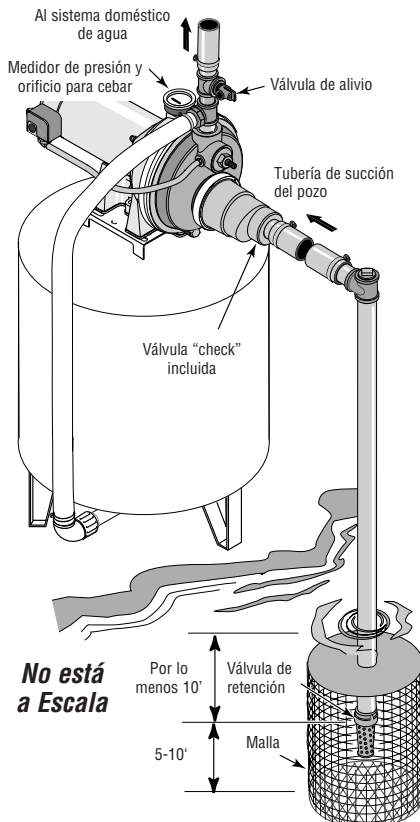


Figura 9: Instalación para Agua Superficial

se incline ligeramente hacia arriba desde el pozo hacia la bomba (los puntos altos pueden ocasionar que se formen bolsas de aire que pueden bloquear la bomba). Selle las juntas de la tubería de succión con cinta de Teflón™ o con un compuesto a base de Teflón™ especial para juntas de tuberías. Las juntas deben ser a prueba de agua y estar herméticamente cerradas. Si la tubería de succión pudiera succionar aire, la bomba no podrá sacar agua del pozo.

Usted acaba de realizar la conexión de tubería de succión para su nueva bomba de chorro para pozo poco profundo. Por favor pase a la página 38 para realizar las conexiones del tanque y de la tubería de descarga.

Instalación para agua superficial

1. Instale la válvula de control y el medidor de presión en el cuerpo de la bomba (vea la Figura 7).
2. Instale el kit de eyector FP4875 o el kit FP4855 (los kits se venden por separado). Siga las instrucciones que vienen incluidas en el kit. Asegúrese de alinear el venturi con el orificio superior en la parte frontal de la bomba (Vea la Figura 8).
3. La bomba se debe instalar tan cerca del agua como sea posible, con el menor número posible de conexiones (especialmente codos) en la tubería de succión. La tubería de succión debe ser por lo menos del mismo tamaño que el orificio de succión en la bomba.
4. Instale una válvula de retención y la tubería de succión (vea la Figura 9). Asegúrese que la válvula de retención funcione libremente. Utilice cinta de Teflón™ o un compuesto a base de Teflón™ especial para juntas de tuberías en las juntas roscadas de la tubería. Proteja la conexión de la válvula de retención de peces, basura, etc. con la instalación de una malla de alambre a su alrededor (vea la Figura 9).
5. Baje la tubería hacia el agua hasta que el filtro se encuentre a cinco pies sobre el fondo. También debe estar a por lo menos 10 pies debajo del nivel de agua a fin de evitar que la bomba succione aire.
6. Instale una "T" para cebar, tapón para cebar y la tubería de succión a la bomba (vea la Figura 9). Soporte la tubería para que no haya inclinaciones verticales o hundimientos en ella a fin de que no ejerza tensión sobre el cuerpo de la bomba y con el propósito de que no se incline ligeramente hacia arriba desde el pozo hacia la bomba (los puntos altos pueden ocasionar que se formen bolsas de aire que pueden bloquear la bomba). Selle las juntas de la tubería de succión con cinta de Teflón™ o con un compuesto a base de Teflón™ especial para juntas de tuberías. Las juntas deben ser a prueba de agua y estar herméticamente cerradas. Si la tubería de succión pudiera succionar aire, la bomba no podría sacar agua del pozo.

Usted acaba de realizar la conexión de tubería de succión para su nueva bomba de chorro para pozo poco profundo. Por favor pase a la página 38 para realizar las conexiones del tanque y de la tubería de descarga.

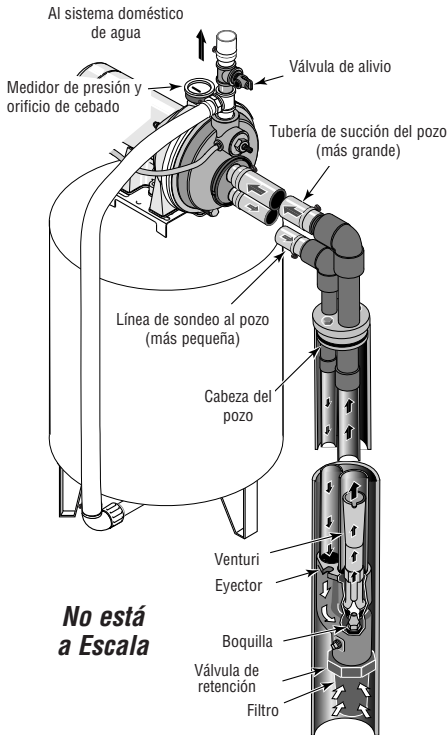


Figura 10: Pozos Profundos de 4" y Más Grandes

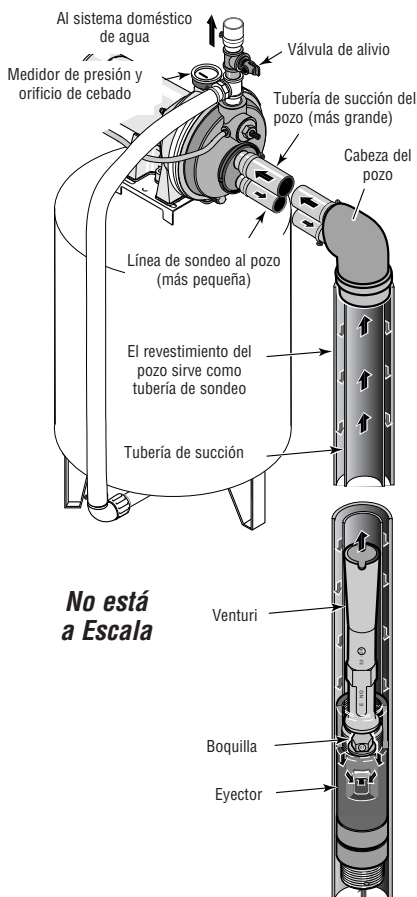


Figura 11: 2 pulg. (Tubo Sencillo) Pozo Profundo

Pozo de 4" ó mas (Figura 10)

1. Instale la válvula de control y el medidor de presión en el cuerpo de la bomba. Vea la Figura 7.
2. Instale el kit de eyector FP4800 (se vende por separado). Vea la Figura 10. Siga las instrucciones que vienen incluidas en el kit para ajustar la boquilla y el venturi a las condiciones de su pozo.
3. Monte la bomba tan cerca del pozo como sea posible.
4. Conecte las dos tuberías (1" la de sondeo, 1-1/4" la de succión) al eyector y baje el eyector hacia el pozo hasta que el filtro se encuentre a cinco pies del fondo. También debe estar a por lo menos 10 pies debajo del nivel de agua del pozo cuando la bomba esté funcionando a fin de evitar que la bomba succione aire.
5. Instale un sello sanitario para pozo y conecte la tubería del eyector a la bomba. Utilice boquillas de acero a través del sello del pozo con tubería flexible de polietileno para evitar aplastar la tubería de plástico al ajustar el sello.
6. Soporte la tubería para que no haya inclinaciones verticales o hundimientos en ella a fin de que no ejerza tensión sobre el cuerpo de la bomba y con el propósito de que no se incline ligeramente hacia arriba desde el pozo hacia la bomba (los puntos altos pueden ocasionar que se formen bolsas de aire que pueden bloquear la bomba). Selle las juntas de la tubería de succión con cinta de Teflón™ o con un compuesto a base de Teflón™ especial para juntas de tuberías. Las juntas deben ser a prueba de agua y estar herméticamente cerradas. Si la tubería de succión pudiera succionar aire, la bomba no podrá sacar agua del pozo.

Usted acaba de realizar la conexión de tubería de succión para su nueva bomba de chorro de doble tubería para pozo profundo. Por favor pase a la página 38 para realizar las conexiones del tanque y de la tubería de descarga.

Pozo de 2" (Figura 11)

1. Instale la válvula de control y el medidor de presión en el cuerpo de la bomba. Vea la Figura 7.
2. Monte la bomba tan cerca del pozo como sea posible.
3. Instale el kit de eyector FP4800 (se vende por separado), la tubería del pozo y el adaptador de cabeza del pozo de acuerdo con las instrucciones que vienen incluidas en el paquete del eyector. Vea la Figura 11. Utilice tubo galvanizado de caída con juntas invertidas para lograr un flujo adecuado. Siga las instrucciones incluidas en el kit para ajustar la boquilla y el venturi a las condiciones de su pozo.
4. Conecte las dos tuberías (una tubería de sondeo más pequeña y una más grande de succión) del pozo a la bomba. Soporte la tubería para que no haya inclinaciones verticales o hundimientos en ella a fin de que no ejerza tensión sobre el cuerpo de la bomba y con el propósito de que no se incline ligeramente hacia arriba desde el pozo hacia la bomba (los puntos altos pueden ocasionar que se formen bolsas de aire que pueden bloquear la bomba). Selle las juntas de la tubería de succión con cinta de Teflón™ o con un compuesto a base de Teflón™ especial para juntas de tuberías. Las juntas deben ser a prueba de agua y estar herméticamente cerradas. Si la tubería de succión pudiera succionar aire, la bomba no podría sacar agua del pozo.

Usted acaba de realizar la conexión de tubería de succión para su nueva bomba de chorro de tubería sencilla para pozo profundo. Por favor pase a la Página 38 para realizar las conexiones del tanque y de la tubería de descarga.

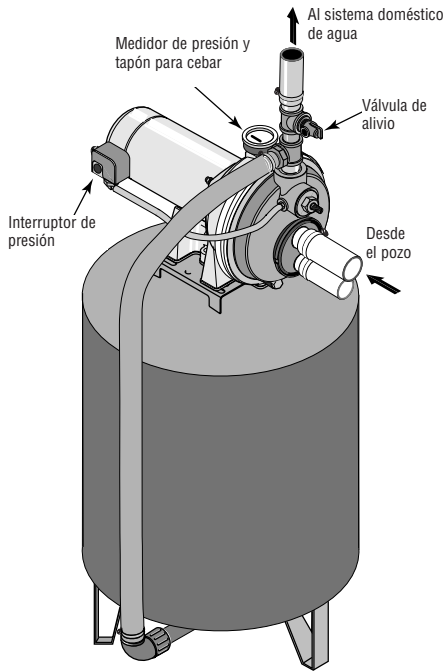


Figura 12: Conexiones del Tanque Pre-cargado

Conexión de tanque de pre-carga (Figura 12)

1. Instale una boquilla de cierre y una "T" en el orificio de descarga de la bomba (vea la Figura 12). La tubería debe ser al menos del mismo tamaño que el orificio de descarga. Instale una tubería o una manguera reforzada desde un brazo de la "T" al orificio en el tanque de pre-carga.
2. Instale una segunda boquilla de cierre y una "T" con una válvula de alivio en la "T".
3. Conecte el otro extremo de la segunda "T" de descarga a su sistema de plomería.
4. Verifique la pre-carga de aire en el tanque con un medidor de aire para neumáticos. La pre-carga debe ser 2 PSI menos que el ajuste de cierre del interruptor de presión de la bomba. La pre-carga se mide cuando no haya presión de agua en el tanque. Su nueva bomba tiene un interruptor de 30/50 PSI; ajuste la presión de pre-carga del tanque a 28 PSI.

Usted acaba de realizar la conexión del tanque para su bomba de chorro. Por favor pase a las páginas 39 y 40 sobre la conexión eléctrica.

Conexión para tanque estándar (Figura 13)

1. Instale una boquilla de cierre y una "T" en el orificio de descarga de la bomba. Instale una válvula de alivio en un brazo de la "T".
2. Instale una segunda boquilla de cierre y una "T" en el brazo libre de la primera "T". Coloque un tapón para cebar en un brazo de la segunda "T".
3. Instale una tubería desde el brazo abierto de la segunda "T" al orificio de entrada de su tanque. La tubería debe ser al menos del mismo tamaño que el orificio de descarga de la bomba.
4. Retire el tapón de la tubería de 1/8" de NPT del orificio del Control de Volumen de Aire (CVA) de la bomba (vea la Figura 13). Instale una tubería desde el orificio de CVA de la bomba hacia el orificio en el CVA montado en el tanque. Vea mayores detalles en las instrucciones incluidas con el tanque y en el CVA.

Usted acaba de realizar la conexión del tanque para su bomba de chorro. Por favor pase a las páginas 39 y 40 sobre la conexión eléctrica.

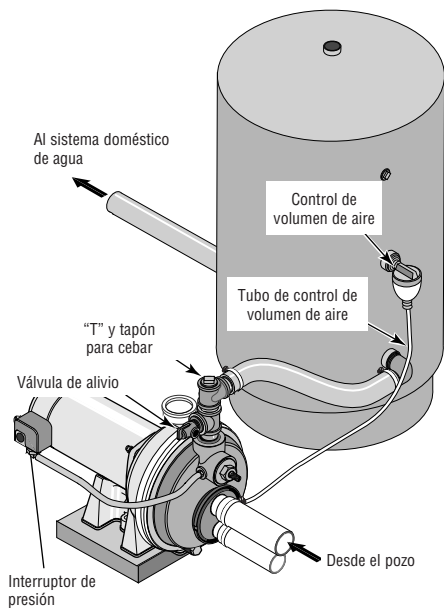


Figura 13: Conexiones para Tanque Estándar

Sellado de Juntas de Tubería

Utilice solamente cinta de ¹Teflón™ o compuestos para enchufes a base de Teflón™ para todas las conexiones de rosca a la bomba. **No use compuestos de burlete para tuberías en bombas de plástico:** estos pueden reaccionar con los componentes de plástico de la bomba. Asegúrese de que todos los burletes en la tuberías de aspiración sean impermeables y herméticos. *Si la tubería de aspiración aspira aire, la bomba no podrá sacar agua del pozo.*

¹ E. I. DuPont de Demours and Company Corporation, Delaware

⚠ Desconecte la corriente antes de trabajar en la bomba, el motor, el conmutador a presión, o los cables.

Configuraciones del interruptor del motor

AVISO: Los motores de 1/2 HP son de doble tensión y están configurados de fábrica a 115V. Los motores de 3/4 y 1 HP también son de doble tensión, pero vienen configurados de fábrica a 230 V. Los tableros de bornes del motor (ubicados por debajo de la cubierta del motor) deberán ser similares a los que se ilustran a continuación. Utilice las instrucciones para configurar su motor conforme a su suministro de energía.

⚠ ADVERTENCIA Nunca conecte un motor configurado a 115 V a una fuente de energía de 230 V.

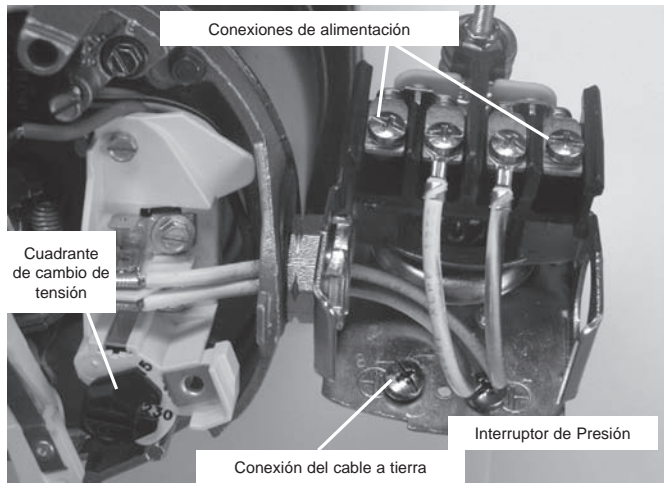


Figura 14: Tensión configurada para 230 V, tipo cuadrante.

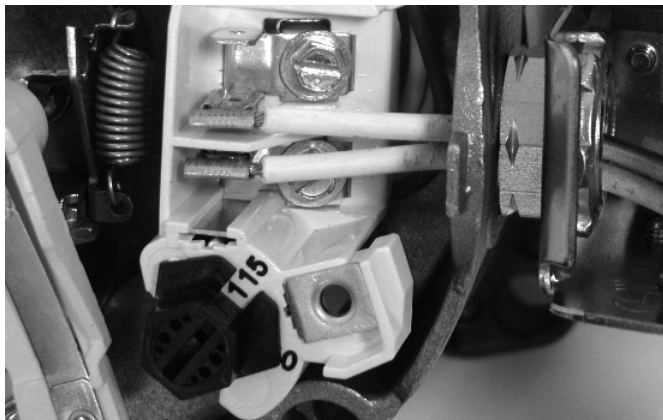


Figura 15: Tensión configurada para 115 V, tipo cuadrante.

Selector de tensión de tipo cuadrante

La configuración de fábrica es para 230 V. Para cambiar a 115 V:

1. Verifique que la corriente eléctrica esté desconectada.
2. Gire el cuadrante hacia la izquierda hasta que aparezca 115 en la ventana del cuadrante según se ilustra en la Fig. 15.
3. Conecte los conductores de alimentación a los dos tornillos exteriores en el manóstató según se ilustra en el Figura 6.
4. Conecte el cable a tierra a una de las conexiones a tierra según se ilustra en la Figura 14.
5. Si hay otros cables, tápelos.
6. Vuelva a instalar la cubierta del motor.

⚠ ADVERTENCIA Tensión peligrosa. Puede causar choques, quemaduras o muerte. Conecte el alambre de puesta a tierra antes de conectar los alambres de suministro de corriente. Use el cable del tamaño especificado en la tabla de cableado (incluyendo el alambre de puesta a tierra). Si es posible, conecte la bomba a un circuito separado de derivación sin ningún otro artefacto en el mismo.

⚠ ADVERTENCIA Peligro de explosión. No haga la conexión a tierra en una línea de suministro de gas.

Conexiones de los cables

⚠ ADVERTENCIA Peligro de incendio. Una tensión incorrecta puede causar un incendio o dañar el motor seriamente e invalidará la garantía. La tensión de suministro debe ser entre ± 10 % de la tensión especificada en la placa de datos del motor.

AVISO: Los motores de doble tensión se pueden configurar para 115V o 230 V. De ser necesario, vuelva a configurar el motor a la tensión deseada, según se ilustra. No modifique el cableado en los motores de tensión singular.

Instale, ponga a tierra, conecte los alambres y mantenga su bomba conforme al Código Nacional de Electricidad (NEC) o al Código Canadiense de Electricidad (CEC), según corresponda, y conforme a todos los códigos y normas locales que correspondan. Consulte con su inspector local de construcciones para obtener información sobre los códigos.

Procedimiento para las conexiones:

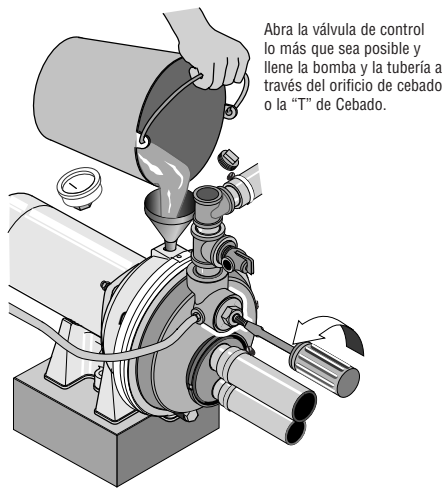
1. Conecte el alambre de puesta a tierra primero según se ilustra en la Figura 14. El alambre de puesta a tierra debe ser un alambre de cobre sólido por lo menos tan grande como los alambres de suministro de corriente.
2. Debe haber una conexión metálica sólida entre el conmutador a presión y el motor para brindar protección a tierra para el motor. Si el conmutador a presión no está conectado al motor, conecte el tornillo de puesta a tierra verde en el conmutador al tornillo de puesta a tierra verde debajo de la tapa de extremo del motor. Use un alambre de cobre sólido que sea por lo menos tan grande como los alambres de suministro de corriente.
3. Conecte el alambre de puesta a tierra a un alambre conectado a tierra del tablero de servicio, a un tubo metálico para agua subterránea, a un entubamiento metálico para pozos de por lo menos 3 metros (10 pies) de largo, o a un electrodo a tierra suministrado por la empresa de energía o hidroeléctrica.
4. Conecte los alambres de suministro de corriente al conmutador de presión según se ilustra en la Figura 14.

Usted acaba de realizar las conexiones eléctricas para su bomba.

Por favor pase a la página 41 a las preparaciones para arrancar la bomba.

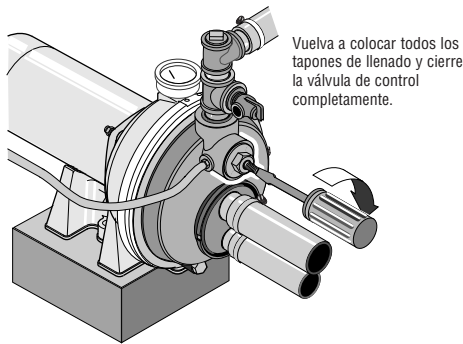
Tabla de Conexiones - Cables Recomendados y Tamaños de Fusibles

HP del Motor	Voltios	Amp de Carga Máxima	Amp de Rango de Fusible de Derivación	Distancia en pies desde el motor al suministro de energía				
				1 - 100	101 - 200	201 - 300	301 - 400	401 - 500
				Calibre del cable awg (mm cuadrados)				
1/2	115/230	9.9/4.95	15/15	14/14 (2/2)	14/14 (2/2)	12/14 (3/2)	10/14 (5.5/2)	10/12 (5.5/3)
3/4	115/230	12.2/6.1	20/15	14/14 (2/2)	10/14 (5.5/2)	8/14 (7/2)	8/14 (7/2)	6/12 (9/3)
1	115/230	14.8/7.4	20/15	12/14 (3/2)	10/14 (5.5/2)	8/12 (7/3)	8/12 (7/3)	6/12 (9/3)



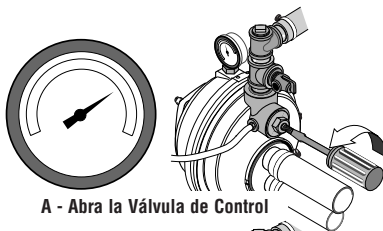
Abra la válvula de control lo más que sea posible y llene la bomba y la tubería a través del orificio de cebado o la "T" de Cebado.

Figura 16: Llenado de la Bomba

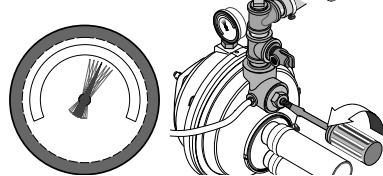


Vuelva a colocar todos los tapones de llenado y cierre la válvula de control completamente.

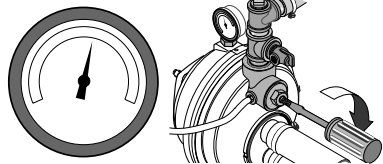
Figura 17: Bomba de Carga



A - Abra la Válvula de Control



B - Observe que el Medidor de Presión Oscile



C - Cierre la Válvula de Control hasta que la Presión se Estabilice

Figura 18: Fije la Válvula de Control

⚠ PRECAUCIÓN Nunca ponga a funcionar la bomba en seco. Poner a funcionar la bomba sin agua puede ocasionarle sobre calentamiento, dañar el sello y tal vez causar quemaduras a las personas que la estén manejando. Llene la bomba con agua antes de arrancarla.

⚠ ADVERTENCIA Nunca ponga a funcionar una bomba hacia una descarga cerrada. Hacerlo puede ocasionar que el agua en el interior de la bomba ebullicione, produciendo una presión peligrosa en la unidad, riesgo de explosión y posibles quemaduras con el agua a la persona que esté manejando la bomba.

1. Abra la válvula de control lo más que sea posible (vea la Figura 16). Después retire el tapón de cebado de la bomba y llénela, llenando toda la tubería entre la bomba y el pozo; asegúrese de que toda la tubería en el pozo esté llena. Si también instaló una "T" de cebado en la tubería de succión, retire el tapón de la "T" y llene la tubería de succión.
2. Vuelva a colocar todos los tapones de llenado y cierre la válvula de control completamente (Figura 17).
3. Abra varios grifos en la residencia para permitir el flujo del agua y liberar el aire atrapado. Enciéndala! Arranque la bomba y observe el medidor de presión. La presión debe aumentar rápidamente a 50 PSI al irse cargando la bomba.
4. Después de 2 ó 3 minutos, el medidor debe indicar la presión. Si no, pare la bomba, retire los tapones de llenado, vuelva a abrir la válvula de control y vuelva a llenar la bomba y la tubería. Posiblemente tendrá que repetir esto dos o tres veces para sacar todo el aire atrapado en la tubería. No olvide cerrar la válvula de control cada vez antes de encender la bomba.
5. Cuando haya aumentado la presión del agua y ésta esté mantenida por la bomba, abra lentamente la válvula de control (consulte la Figura 18) – esto permitirá que el agua corra a las tuberías de la residencia. Abra lentamente la válvula de control mientras observa la aguja del manómetro. Continúe abriendo la válvula hasta que esté completamente abierta o hasta que vea que la aguja del manómetro comienza a oscilar. Si la aguja comienza a oscilar, cierre lentamente la válvula justo hasta que deje de hacerlo. Ahora su bomba estará funcionando al máximo de eficacia.
6. Cierre todos los grifos. Después de que la bomba ha producido presión en el sistema y esté apagada, verifique la operación del interruptor de presión abriendo una llave o dos y dejando correr suficiente agua para descargar la presión hasta que la bomba arranque. La bomba debe arrancar cuando la presión caiga a 30 PSI y se debe detener cuando la presión alcance los 50 PSI. Haga funcionar la bomba durando uno o dos ciclos completos para verificar su correcta operación. Esto también le ayudará a limpiar el sistema de polvo y basura producida durante la instalación.

Felicidades por una instalación exitosa.

Si usted no tuvo éxito, por favor pase a la sección de *Solución de Problemas* o llame a nuestro personal técnico de servicio al cliente.

Gracias por adquirir productos Simer.

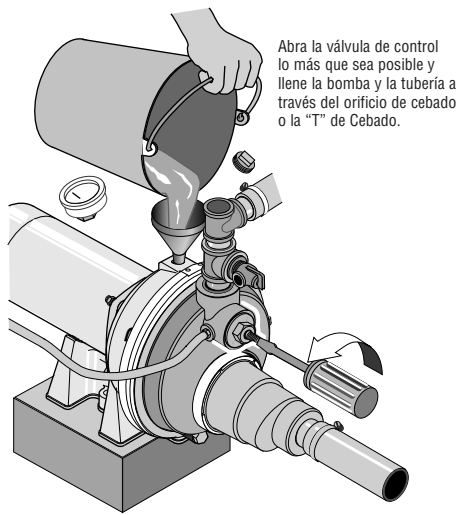


Figura 19: Abra la Válvula de Control

⚠ PRECAUCIÓN Nunca ponga a funcionar la bomba en seco. Poner a funcionar la bomba sin agua puede ocasionarle sobre calentamiento, dañar el sello y tal vez causar quemaduras a las personas que la estén manejando. Llene la bomba con agua antes de arrancarla.

⚠ ADVERTENCIA Nunca ponga a funcionar una bomba hacia una descarga cerrada. Hacerlo puede ocasionar que el agua en el interior de la bomba ebullicione, produciendo una presión peligrosa en la unidad, riesgo de explosión y posibles quemaduras con el agua a la persona que esté manejando la bomba.

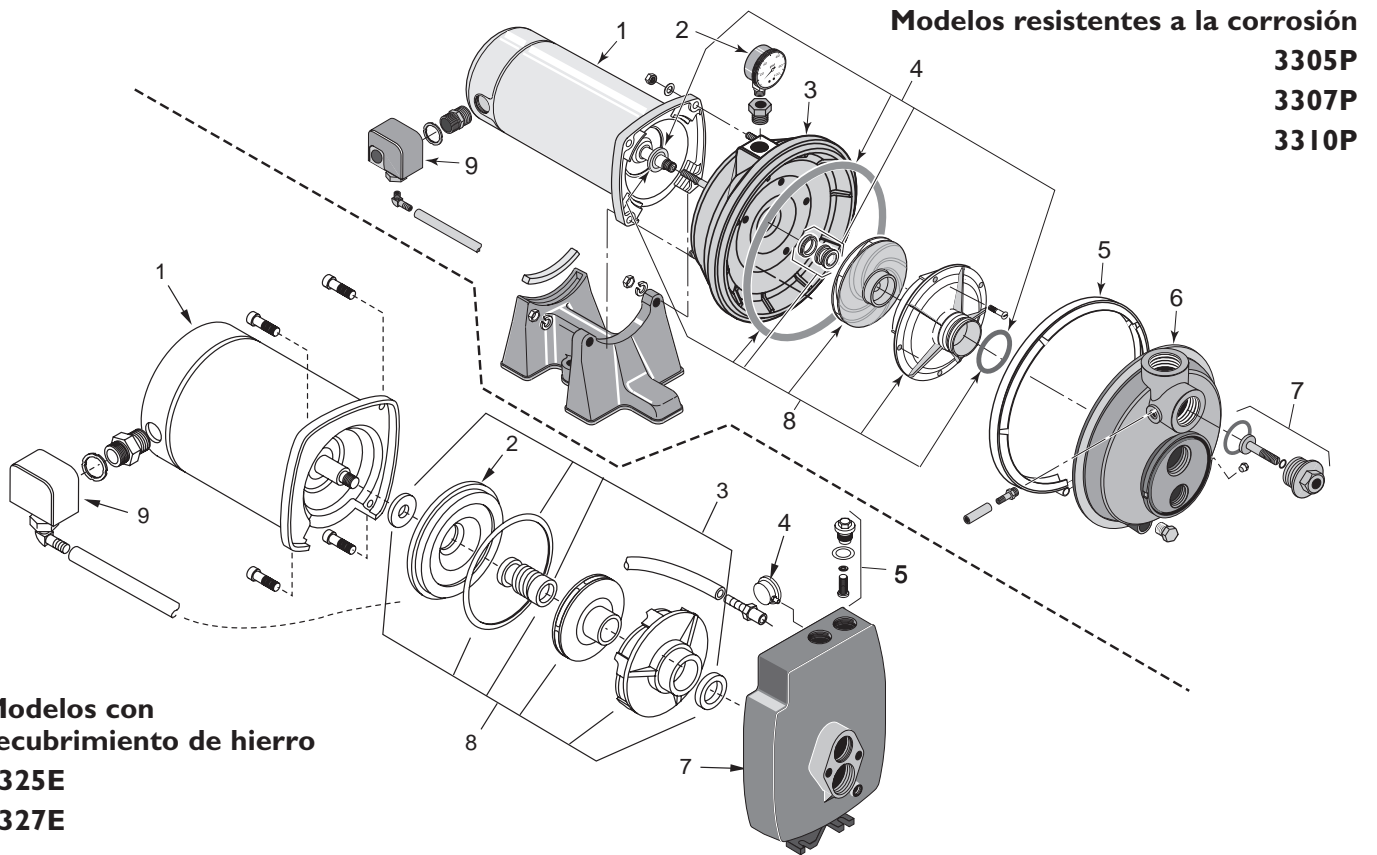
1. Abra la válvula de control lo más que sea posible (vea la Figura 19). Después retire el tapón de cebado de la bomba y llénela, llenando toda la tubería entre la bomba y el pozo; asegúrese de que toda la tubería en el pozo esté llena. Si también instaló una "T" de cebado en la tubería de succión, retire el tapón de la "T" y llene la tubería de succión.
2. Vuelva a colocar todos los tapones de llenado. Deje abierta la válvula de control (en una instalación para pozo poco profundo, la válvula de control siempre debe mantenerse abierta).
3. Enciéndala! Arranque la bomba. La bomba debe bombear agua después de 2 ó 3 minutos.
4. Si no tiene agua después de 2 ó 3 minutos, pare la bomba y retire todos los tapones de llenado. Vuelva a llenar la bomba y la tubería. Posiblemente tendrá que repetir esto dos o tres veces para sacar todo el aire atrapado en la tubería. La válvula de control se debe mantener abierta durante todo el procedimiento.
5. Después de que la bomba ha producido presión en el sistema y esté apagada, verifique la operación del interruptor de presión abriendo una llave o dos y dejando correr suficiente agua para descargar la presión hasta que la bomba arranque. La bomba debe arrancar cuando la presión caiga a 30 PSI y se debe detener cuando la presión alcance los 50 PSI. Haga funcionar la bomba durante uno o dos ciclos completos para verificar su correcta operación. Esto también le ayudará a limpiar el sistema de polvo y basura producida durante la instalación.

Felicidades por una instalación exitosa.

Si usted no tuvo éxito, por favor pase a la sección de *Solución de Problemas* o llame a nuestro personal técnico de servicio al cliente.

Gracias por adquirir productos Simer.

Síntoma	Causa(s) probable(s)	Acción correctiva
El motor no funciona	El interruptor de desconexión está apagado	Verifique que el interruptor esté encendido.
	El fusible está quemado o el disyuntor se abrió	Reemplace el fusible o reposicione el disyuntor.
	El interruptor de encendido está defectuoso	DESCONECTE LA CORRIENTE ELÉCTRICA; reemplace el interruptor de encendido.
	Los cables en el motor están sueltos, desconectados o conectados incorrectamente	Consulte las instrucciones sobre el cableado (página 39); DESCONECTE LA CORRIENTE ELÉCTRICA; inspeccione y ajuste todo el cableado. ⚠ ADVERTENCIA La tensión del capacitor puede ser peligrosa. Para descargar el capacitor, tome un destornillador con mango aislado POR EL MANGO y haga un corto circuito con los bornes del capacitor. No toque la hoja metálica del destornillador ni los bornes del capacitor. Si tiene alguna duda, consulte con un electricista competente.
	Los contactos del manóstato están sucios	DESCONECTE LA CORRIENTE ELÉCTRICA y lime los contactos con una lima de esmeril o una lima para uñas.
El motor se calienta y dispara la sobrecarga	El motor está cableado incorrectamente	Consulte las instrucciones sobre el cableado.
	La tensión es muy baja	Verifique con la compañía de energía eléctrica. Instale un cableado de mayor calibre si éste es muy pequeño (Ver el Gráfico de Cableado/Electricidad).
	Los ciclos de la bomba son muy frecuentes	Consulte la sección a continuación sobre ciclos demasiado frecuentes.
El motor funciona pero no sale agua* * Detenga la bomba: después verifique el cebado antes de buscar otras causas. Destornille el tapón de cebar y vea si hay agua en el orificio de cebado.	La bomba en una instalación nueva no recogió el cebado debido a: 1. Cebado inadecuado 2. Fugas de aire 3. Fugas en la válvula de pie o en la válvula de retención	En una instalación nueva: 1. Vuelva a cebarla según las instrucciones. 2. Revise todas las conexiones en la línea de aspiración, en el AVC y en el eyector con agua jabonosa o crema de afeitar. 3. Reemplace la válvula de pie o la válvula de retención.
	La bomba ha perdido cebadura debido a: 1. Fugas de aire 2. Nivel de agua por debajo de la entrada de la tubería de aspiración	En una instalación que ya esté en uso: 1. Inspeccione todas las conexiones en la línea de aspiración y en el sello del eje. 2. Baje la línea de aspiración hacia el agua y vuelva a cebar. Si la disminución del nivel de agua supera los 25 pies (7.6 m), será necesario instalar una bomba para pozo profundo.
	La válvula de pie o el colector están tapados	Limpie la válvula de pie o el colector.
	El eyector o el impulsor están tapados	Limpie el eyector o el impulsor.
	La válvula de retención o la válvula de pie está cerrada y atascada	Reemplace la válvula de retención o la válvula de pie.
	Las tuberías están congeladas	Descongele las tuberías. Entierre las tuberías debajo de la línea de congelación. Caliente el recinto de bombas o el foso.
	La válvula de pie y/o el colector están enterrados en arena o en lodo	Eleve la válvula de pie y/o el colector por encima del fondo de la fuente de agua. Limpie la válvula de pie y el colector.
	El nivel de agua es demasiado bajo para que la instalación del pozo poco profundo produzca agua	Se necesitará un paquete de chorro para pozo profundo si su pozo tiene más de 25 pies (7.6 m) de profundidad al agua.
La bomba no produce agua a toda su capacidad (También verifique el punto 3 de arriba)	El nivel del agua en el pozo profundo es menor que el que se calculó	Es posible que se requiera una nueva combinación de venturi y tobera.
	La tubería de acero (si se utilizó) está corroída u oxidada, ocasionando una fricción excesiva	Reemplace con tubería de plástico donde sea posible, o de lo contrario con tubería nueva de acero.
	El tamaño de la tubería es muy pequeño	Utilice una tubería acodada más grande.
La bomba entrega agua pero no se apaga o los ciclos de bombeo son demasiado frecuentes	El manóstato está desajustado o los contactos están soldados juntos	DESCONECTE LA CORRIENTE ELÉCTRICA; ajuste o reemplace el manóstato.
	Se dejaron las llaves abiertas	Cierre las llaves.
	El venturi, la tobera o el impulsor están tapados	Limpie el venturi, la tobera o el impulsor.
	El tanque de presión estándar está inundado y no tiene amortiguador de aire	Drene el tanque a la abertura de regulador de volumen de aire. Verifique que el AVC no presente defectos. Verifique que no haya fugas de aire en ninguna conexión.
	Las tuberías presentan fugas	Inspeccione las conexiones.
	Las válvulas de pie presentan fugas	Reemplace la válvula de pie.
	El manóstato está desajustado	Ajuste o reemplace el manóstato.
	La carga de aire es demasiado baja en el tanque precargado	DESCONECTE LA CORRIENTE ELÉCTRICA y abra las llaves hasta que se haya liberado la presión. Mida la presión del aire en el tanque con un manómetro para neumáticos en el vástago de la válvula que se encuentra en el tanque. Si la presión es menor que la del disparo del manóstato (30-50 PSI), bombee aire hacia el tanque desde una fuente externa hasta que la presión del aire sea 2 PSI menos que la presión de disparo del interruptor. Verifique que no haya fugas en la válvula de aire (utilice una solución jabonosa) y reemplace el núcleo si fuese necesario.
Sale aire de los grifos	La bomba está cebando	Cuando la válvula está cebando, debería bombar sólo agua, sin aire.
	Fuga del lado de la aspiración de la bomba	La tubería de aspiración está aspirando aire. Verifique que no haya fugas en las juntas usando agua jabonosa.
	El pozo es gaseoso	Consulte a la fábrica sobre la instalación de una camisa en el pozo.
	Sobre-bombeo intermitente del pozo, (aspiración adicional de agua por debajo de la válvula de pie)	Baje la válvula de pie si es posible, de lo contrario, restrinja la descarga de la bomba.



Modelos resistentes a la corrosión

**3305P
3307P
3310P**

Modelos con recubrimiento de hierro

**3325E
3327E**

Ref.	Descripción	Modelo y HP		
		3305P 1/2HP	3307P 3/4HP	3310P 1 HP
1	Motor	J218-582A-115-PKG	J218-590-PKG	J218-596-PKG
2	Medidor de Presión	TC2104		
3	Cuerpo de la Bomba (Mitad trasera)	L176-47P		
4	Kit de Sello y Empaque*	FPP1500		
5	Collier de serrage en V	C19-54SS		
6	Cuerpo de la Bomba (Mitad Delantera)	L76-37P		
7	Kit de Reparación General**	L162-10PS		
8	Nécessaire de révision**	FPP1511	FPP1512	FPP1513
9	Unidad del commutador a presión	TC2151		

Ref.	Descripción	Modelo y HP	
		3325E 1/2HP	3327E 3/4HP
1	Motor	J218-582A-115-PKG	A100DL
2	Placa del Sello	N3-1043P	
3	Kit de Sello y Empaque*	FPP1550	
4	Medidor de Presión	TC2104	
5	Unidad de la válvula de control	01322	
7	Cuerpo de la Bomba	L76-44	
8	Kit de Reparación General**	FPP1560	FPP1561
9	Interruptor de Presión	TC2151	

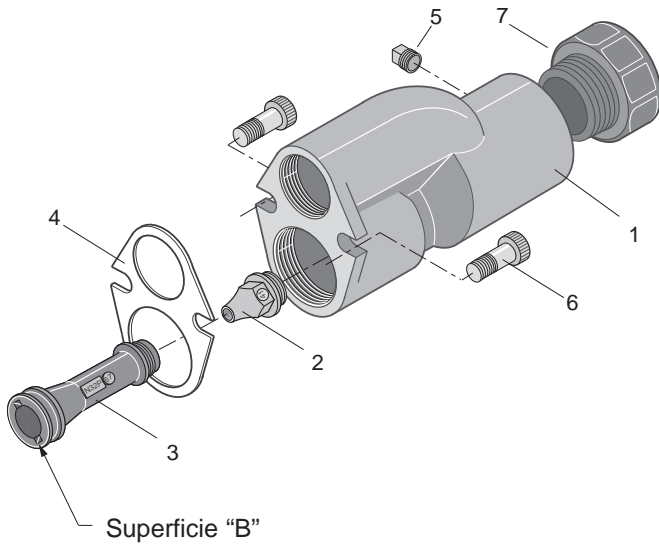
* Incluye: Dispositivo lubricador para agua, anillo de placa de sello en forma de O u empaque, sello de junta, cojinete difusor y difusor en forma de O u empaque.

** Incluye: Kit de Sello y Junta más difusor, impulsor e inserción de la placa del sello.

Las instrucciones de reparación se encuentran incluidas con todos los kits de reparación.

Se dispone de paquetes de eyector para operaciones en pozos profundos o poco profundos. El manual del propietario de la bomba describe las condiciones que definen las operaciones en pozos profundos o poco profundos. Es importante leer el

Juego para pozo poco profundo FP4855 Para bombas de la 3325E y 3327E

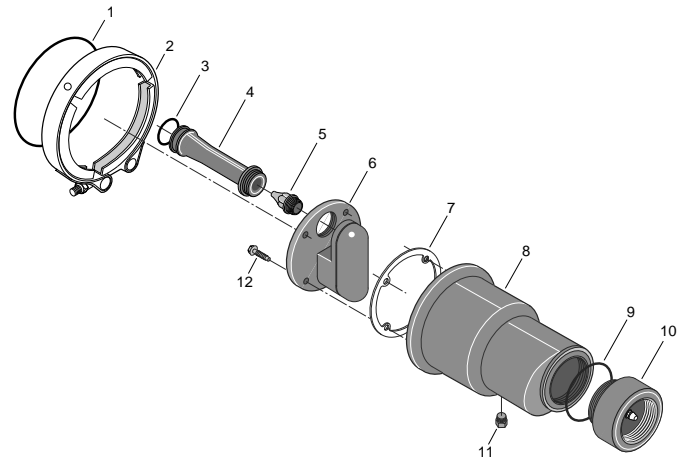


AVIS: Tenga cuidado de no dañar la superficie de estanqueidad (marcada Superficie "B" en el dibujo que antecede) para no provocar fugas internas.

Ref.	Descripción	Número de repuesto
1	Unidad del eyector	N40-92
2	Tobera (#51)	N34P-41
3	Venturi, pozo poco profundo, 3325E	N32P-66B
	Venturi, pozo poco profundo, 3327E	N32P-67B
4	Empaquetadura	N20-25
5	Tapón de tubería	U78-56ZPS
6	Tornillo prisionero de cabeza hueca (2 req.)	U30-961PS
7	Válvula de retención	N212-12P

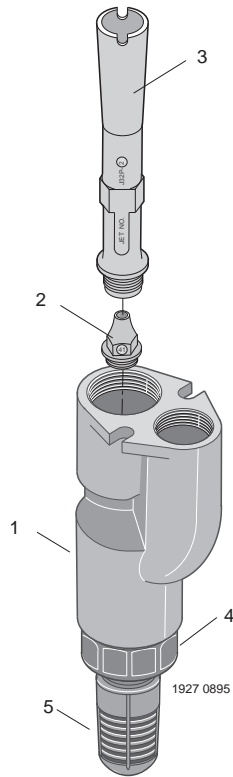
manual con atención para determinar sus requisitos de bombeo. Observe que la tobera ya viene instalada en la unidad del eyector y funciona tanto con venturi para pozos profundos como poco profundos.

Juego para pozo poco profundo FP4875 Para bombas de la 3305P, 3307P y 3310P



Ref.	Descripción	Número de repuesto
1	Aro tórico, unidad de chorro	U9-202
2	Abrazadera	J19-6
3	Aro tórico, Venturi	U9-201
4	Venturi, 3307P	N32P-63
	Venturi, 3310P	N32P-64
	Venturi, 3305P	N32P-72
5	Tobera (n° 51), 3305P y 3307P	J34P-41
	Tobera (n° 54), 3310P	J34P-44
6	Inserción, unidad de chorro	N40-39P
7	Empaquetadura	J20-18
8	Unidad de chorro	N40-38P
9	Aro tórico, válvula de retención	U9-226
10	Clapet de non retour - complet	N166-5P
11	Tapón para tubería - 1/8" NPT - Cabeza cuadrada	WC78-41T
12	Tornillo - #10 - 16 x 1-1/8" grande (4 req.)	U30-742SS

**Juego de tubería doble de 4”
FP4800**



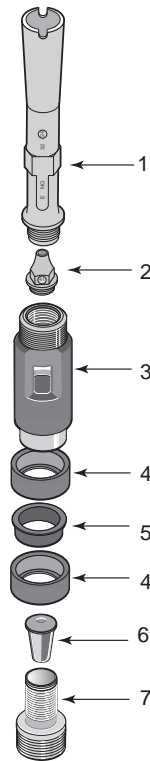
Ref.	Descripción	Número de repuesto
1	Unidad de eyector	N40-92
2	Tobera	Ver más abajo
3	Venturi	Ver más abajo
4	Válvula de retención	N212-12P
5	Criba	L8-1P

Tobera/Venturi Combinación (FP4800)

Modelo	Profundidad menor que	Tobera/Venturi	Profundidad menor que	Tobera/Venturi
3305P	50' (15.2 m)	J34P-41 (#51) / J32P-24	70' (21.3 m)	J34P-42 (#52) / J32P-18
3307P	70' (21.3 m)	J34P-43 (#53) / J32P-24	100' (30.5 m)	N. A.
3310P	90' (27.4 m)		N. A.	N. A.
3325E	50' (15.2 m)	J34P-41 (#51) / J32P-24	70' (21.3 m)	J34P-42 (#52) / J32P-18
3327E	70' (21.3 m)		100' (30.5 m)	

AVISO: Si la profundidad de agua en su pozo es más que la distancia que aparece en la columna de profundidad (de la bomba), usted debe usar la boquilla de combinación de venturi lista o la bomba no será capaz de elevar el agua del pozo.

**Juego de tubería singular de 2”
FP4840**



Ref.	Descripción	Número de repuesto
1	Venturi	Ver más abajo
2	Tobera	Ver más abajo
3	Unidad de chorro	J40-24
4	Empaquetadura de cuero en U (2)	J57-1
5	Espaciador	J43-14P
6	Válvula de retención	P122-10B
7	Asiento de la válvula	J66-13
*	Adaptador de la envoltura	J216-44
	Manguito torneado 1-1/4 NPT (5)	U11-1

* No se ilustra.

Tobera/Venturi Combinación (FP4840)

Modelo	Profundidad menor que	Tobera/Venturi	Profundidad menor que	Tobera/Venturi
3305P	50' (15.2 m)	J34P-42 (#52) / J32P-24	70' (21.3 m)	J34P-42 (#52) / J32P-18
3307P	70' (21.3 m)		100' (30.5 m)	
3310P				
3325E	40' (12.3 m)	J34P-44 (#54) / J32P-24	70' (21.3 m)	
3327E	60' (18.3 m)		100' (30.5 m)	

