



293 Wright Street, Delavan, WI 53115
 Phone: 1-800-468-7867
 Fax: 1-800-390-5351
 Web Site: SimerPump.com

OWNER'S MANUAL

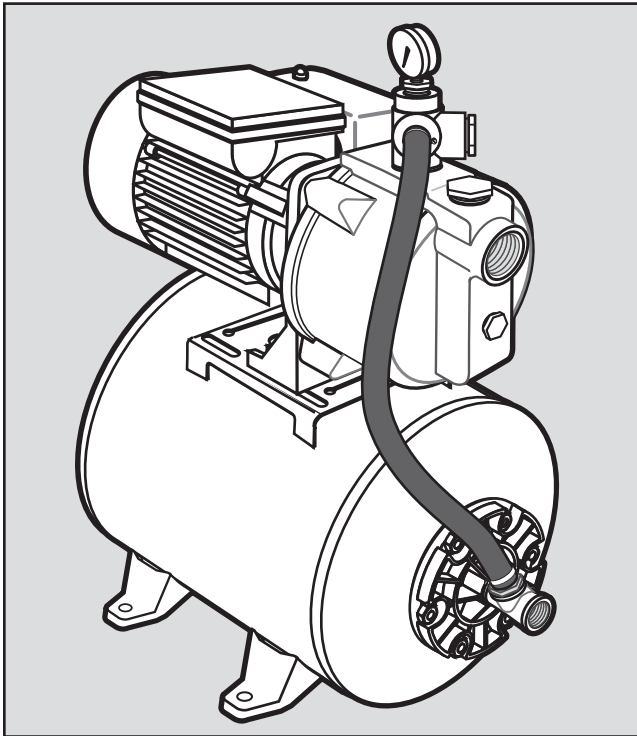
**Shallow Well and Convertible
 1/2 HP Jet Pump/Tank System**

GUIDE D'UTILISATION

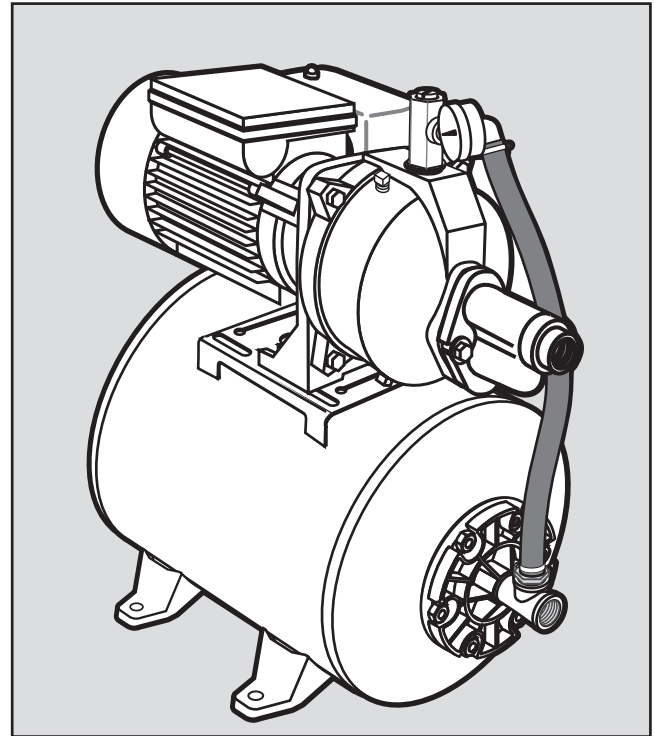
**Système de pompe à éjecteur
 convertible et à réservoir de
 1/2 CH pour puits peu profond**

MANUAL DEL USUARIO

**Sistema de tanque/bomba de
 chorro convertible de 1/2 HP
 para pozos poco profundos**



220515H



320515H

Installation/Operation/Parts

*For further operating, installation, or
 maintenance assistance:*

Call 1-800-468-7867

English. Pages 2-15

Installation/Fonctionnement/Pièces

*Pour plus de renseignements
 concernant l'utilisation,
 l'installation ou l'entretien,*

Composer le 1 (800) 468-7867

Français. Pages 16-29

Instalación/Operación/Piezas

*Para mayor información sobre el
 funcionamiento, instalación o
 mantenimiento de la bomba:*

Llame al 1-800-468-7867

Español Páginas 30-43

Important Safety Instructions

SAVE THESE INSTRUCTIONS - This manual contains important instructions that should be followed during installation, operation, and maintenance of the product. Save this manual for future reference.

⚠ This is the safety alert symbol. When you see this symbol on your pump or in this manual, look for one of the following signal words and be alert to the potential for personal injury!

⚠ DANGER indicates a hazard which, if not avoided, *will* result in death or serious injury.

⚠ WARNING indicates a hazard which, if not avoided, *could* result in death or serious injury.

⚠ CAUTION indicates a hazard which, if not avoided, *could* result in minor or moderate injury.

NOTICE addresses practices not related to personal injury.

Carefully read and follow all safety instructions in this manual and on pump.

Keep safety labels in good condition.

Replace missing or damaged safety labels.

Electrical Safety

⚠ WARNING Capacitor voltage may be hazardous.

To discharge motor capacitor, hold insulated handle screwdriver **BY THE HANDLE** and short capacitor terminals together. Do not touch metal screwdriver blade or capacitor terminals. If in doubt, consult a qualified electrician.

General Safety

⚠ CAUTION Do not touch an operating motor. Modern motors are designed to operate at high temperatures. To avoid burns when servicing pump, allow it to cool for 20 minutes after shut-down before handling.

Do not allow pump or any system component to freeze. To do so will void warranty.

Pump water only with this pump.

Periodically inspect pump and system components.


Wear safety glasses at all times when working on pumps.

Keep work area clean, uncluttered and properly lighted; store properly all unused tools and equipment.

Keep visitors at a safe distance from the work areas.

⚠ WARNING Pump body may explode if used as a booster pump unless relief valve capable of passing full pump flow at 75 psi is installed.

⚠ WARNING




Hazardous voltage. Can shock, burn, or cause death.

Ground pump before connecting to power supply. Disconnect power before working on pump, motor or tank.

- ⚠** Wire motor for correct voltage. See "Electrical" section of this manual and motor nameplate.
- ⚠** Ground motor before connecting to power supply.
- ⚠** Meet National Electrical Code, Canadian Electrical Code, and local codes for all wiring.
- ⚠** Follow wiring instructions in this manual when connecting motor to power lines.

⚠ WARNING



Hazardous pressure! Install pressure relief valve in discharge pipe.

Release all pressure on system before working on any component.

Retain Original Receipt For Your Records

Limited Warranty

SIMER warrants to the original consumer purchaser ("Purchaser" or "You") of its products that they are free from defects in material and workmanship for a period of twelve (12) months from the date of the original consumer purchase.

If, within twelve (12) months from the original consumer purchase, any such product shall prove to be defective, it shall be repaired or replaced at SIMER's option, subject to the terms and conditions set forth below. The original purchase receipt and product warranty information label are required to determine warranty eligibility. Eligibility is based on purchase date of original product – not the date of replacement under warranty. The warranty is limited to repair or replacement of product only – Purchaser pays all removal, installation, labor, shipping, and incidental charges.

For parts or troubleshooting assistance, DO NOT return product to your retail store. Contact SIMER Customer Service at 1-800-468-7867.

Claims made under this warranty shall be made by returning the product (except sewage pumps, see below) to the retail outlet where it was purchased immediately after the discovery of any alleged defect. SIMER will subsequently take corrective action as promptly as reasonably possible. No requests for service will be accepted if received more than 30 days after the warranty expires.

Warranty does not apply to products used in commercial/rental applications.

Sewage Pumps

DO NOT return a sewage pump (that has been installed) to your retail store. Contact SIMER Customer Service. Sewage pumps that have seen service and been removed carry a contamination hazard with them.

If your sewage pump has failed:

- Wear rubber gloves when handling the pump;
• For warranty purposes, return the pump's cord tag and original receipt of purchase to the retail store;
• Dispose of the pump according to local disposal ordinances.

Exceptions to the Twelve (12) Month Limited Warranty

Table with 2 columns: Product and Warranty Period. Rows include BW85P, CM10, CMK, M40, M40P (90 days); 2300, 2310, 2330, 2520ULST, 2943, 2955, 2956, 2957, 2960, 5023SS, A5500 (2 Years); 4" Submersible Well Pumps, 2945, 2958, 2975PC, 2985, 3075SS, 3983, 3984 (3 Years); Pre-Charge Water System Tank, 3985, 3986, 3988, 3989 (5 Years); 3963, 3995, 3997 (Lifetime).

General Terms and Conditions

You must pay all labor and shipping charges necessary to replace product covered by this warranty. This warranty does not apply to the following: (1) acts of God; (2) products which, in SIMER's sole judgement, have been subject to negligence, abuse, accident, misapplication, tampering, or alteration; (3) failures due to improper installation, operation, maintenance or storage; (4) atypical or unapproved application, use or service; (5) failures caused by corrosion, rust or other foreign materials in the system, or operation at pressures in excess of recommended maximums.

This warranty sets forth SIMER's sole obligation and purchaser's exclusive remedy for defective products.

SIMER SHALL NOT BE LIABLE FOR ANY CONSEQUENTIAL, INCIDENTAL, OR CONTINGENT DAMAGES WHATSOEVER.

THE FOREGOING WARRANTIES ARE EXCLUSIVE AND IN LIEU OF ALL OTHER EXPRESS AND IMPLIED WARRANTIES, INCLUDING BUT NOT LIMITED TO THE IMPLIED WARRANTIES OF MERCHANTABILITY AND FITNESS FOR A PARTICULAR PURPOSE. THE FOREGOING WARRANTIES SHALL NOT EXTEND BEYOND THE DURATION PROVIDED HEREIN.

Some states do not allow the exclusion or limitation of incidental or consequential damages or limitations on how long an implied warranty lasts, so the above limitations or exclusions may not apply to You. This warranty gives You specific legal rights and You may also have other rights which vary from state to state.

SIMER • 293 Wright Street • Delavan, WI U.S.A. 53115
Phone: 1-800-468-7867 • Fax: 1-800-390-5351 • Web Site: SimerPump.com

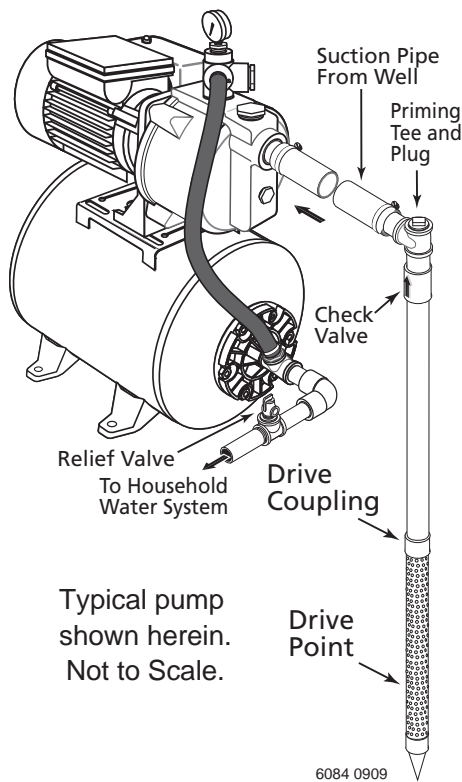


Figure 1: Driven Point Installation

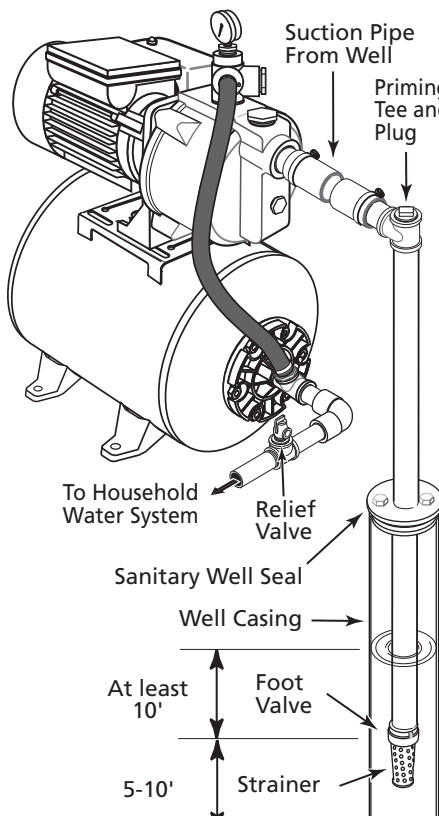


Figure 2: Cased Well Installation

Replacing An Old Pump

⚠ WARNING Hazardous voltage. Disconnect power to pump before working on pump or motor.

- Step 1. Drain and remove the old pump. Check the old pipe for scale, lime, rust, etc., and replace it if necessary.
- Step 2. Install the pump in the system. Make sure that all pipe joints in the suction pipe are air-tight as well as water tight. *If the suction pipe can suck air, the pump will not be able to pull water from the well.*
- Step 3. Adjust the pump mounting height so that the plumbing connections do not put a strain on the pump body. Support the pipe so that the pump body does not take the weight of piping or fittings.

You have just completed the well plumbing for your new pump. Please go to Page 9 for electrical connections.

Well Point (Driven Point) Installation (Figure 1)

- Step 1. Drive the well, using “drive couplings” and a “drive cap”. “Drive fittings” are threaded all the way through and allow the pipe ends to butt against each other so that the driving force of the maul is carried by the pipe and *not* by the threads. The ordinary fittings found in hardware stores are not threaded all the way through the fitting and can collapse under impact. “Drive fittings” are also smoother than standard plumbing fittings, making ground penetration easier.
- Step 2. Mount the pump as close to the well as possible.
- Step 3. Use the fewest possible fittings (especially elbows) when connecting the pipe from the well point to the pump suction port. The suction pipe should be at least as large as the suction port on the pump (include a check valve if your pump is not equipped with one – see Figure 1). Support the pipe so that there are no dips or sags in the pipe, so it doesn’t strain the pump body, and so that it slopes slightly upward from the well to the pump (high spots can cause air pockets which can air lock the pump). Seal the threaded pipe joints with Teflon™ tape or Teflon™ based pipe joint compound approved for use on PVC. Joints must be air- and water-tight. *If the suction pipe can suck air, the pump cannot pull water from the well.* If one well point does not supply enough water, consider connecting two or three well points to one suction pipe.

¹ E. I. DuPont de Nemours and Company Corporation, Delaware

You have just completed the suction piping for your new pump. Please go to Page 9 for electrical connections.

Cased Well Installation, 2” or Larger Casing (Figure 2)

- Step 1. Mount the pump as close to the well as possible.
- Step 2. Assemble the foot valve, strainer, and well pipe (see Figure 2). Make sure that the foot valve works freely.
- Step 3. Lower the pipe into the well until the strainer is five feet above the bottom of the well. It should also be at least 10 feet below the well’s water level *while the pump is running* in order to prevent the pump from sucking air. Install a sanitary well seal.

Step 4. Install a priming tee, priming plug, and suction pipe to the pump (see Figure 2). Connect the pipe from the well to the pump suction port, using the fewest possible fittings – especially elbows – as fittings increase friction in the pipe (however, include a foot valve – see Figure 2). The suction pipe should be at least as large as the suction port on the pump. Support the pipe so that there are no dips or sags in the pipe, so it doesn't strain the pump body, and so that it slopes slightly upward from the well to the pump (high spots can cause air pockets which can air lock the pump). Seal the suction pipe joints with Teflon™ tape or a Teflon™ based pipe joint compound. Joints must be air- and water-tight.

If the suction pipe can suck air, the pump cannot pull water from the well.

You have just completed the suction piping for your new pump. Please go to Page 9 for electrical connections.

Sealing Pipe Joints

Use only Teflon™ tape or Teflon™ based joint compounds for making all threaded connections to the pump itself. **Do not use pipe joint compounds on plastic pumps:** they can react with the plastic in pump components. Make sure that all pipe joints in the suction pipe are air tight as well as water tight. *If the suction pipe can suck air, the pump will not be able to pull water from the well.*

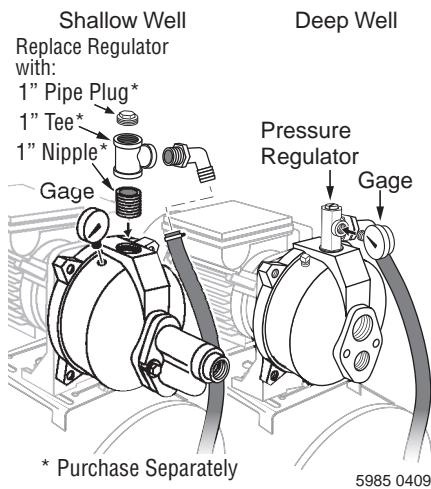


Figure 4: Install Pressure Regulator and Gauge for deep well. Install Priming Tee and Gauge for shallow well.

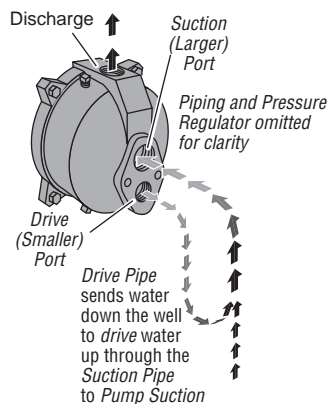


Figure 5: Drive and Suction Functions

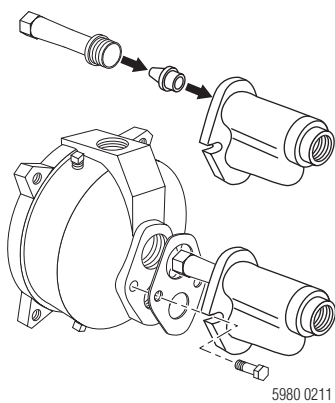


Figure 6: Mount Ejector – Shallow Well

Deep Well

⚠ WARNING Hazardous voltage. Disconnect power to pump before working on pump or motor.

- Step 1. Drain and remove the old pump. Check pipe for scale, lime, rust, etc., and replace it if necessary.
- Step 2. Install the pressure regulator and pressure gauge in the pump body (see Figure 4).

NOTICE: Your old ejector (in the well) may not be properly matched to your new pump. If the pump does not perform properly, we recommend that you install ejector kit FP520-100-P2, included with the pump.

- Step 3. Install the pump and tank in the system. Make sure that all pipe joints in the suction pipe are air-tight as well as water tight. If the suction pipe can suck air, the pump will not be able to pull water from the well.
- Step 4. Adjust the pump mounting height so that the plumbing connections do not put a strain on the pump body. Support the pipe so that the pump body does not take the weight of piping or fittings.
- Step 5. Run piping from the discharge tee in the tank flange to the household piping. The discharge piping must be at least as large as the tank tee. Install a relief valve in the discharge pipe capable of passing the entire pump flow at 75 psi. Run a pipe from the relief valve to a floor drain or some other convenient place to carry off the water.

You have just completed the well plumbing for your new pump/tank system. Please go to Page 9 for electrical connections.

Shallow Well–(Convertible–See Page 4 for Shallow Well Pump)

⚠ WARNING Hazardous voltage. Disconnect power to pump before working on pump or motor.

- Step 1. Drain and remove the old pump. Check the old pipe for scale, lime, rust, etc., and replace it if necessary.
- Step 2. Remove the pressure regulator from the pump body. Replace it with a 1" NPT close nipple, a 1"x1"x3/4" NPT Tee, and a 1" NPT pipe plug (see Figure 4). Install the pressure gage in the plugged hole in the pump body (see Figure 4).

- Step 3. Install the ejector kit. Follow the instructions provided with the kit. Be sure to align the venturi with the top hole on the front of the pump (see Figure 6).

NOTICE: Always replace the ejector when replacing the pump in a shallow well installation.

- Step 4. Install the pump and tank in the system. Make sure that all pipe joints in the suction pipe are air-tight as well as water tight. If the suction pipe can suck air, the pump will not be able to pull water from the well.
- Step 5. Adjust the pump mounting height so that the plumbing connections do not put a strain on the pump body. Support the pipe so that the pump body does not take the weight of piping or fittings.
- Step 6. Run piping from the discharge tee in the tank flange to the household piping. The discharge piping must be at least as large as the tank tee. Install a relief valve in the discharge pipe capable of passing the entire pump flow at 75 psi. Run a pipe from the relief valve to a floor drain or some other convenient place to carry off the water.

You have just completed the well plumbing for your new pump/tank system. Please go to Page 9 for electrical connections.

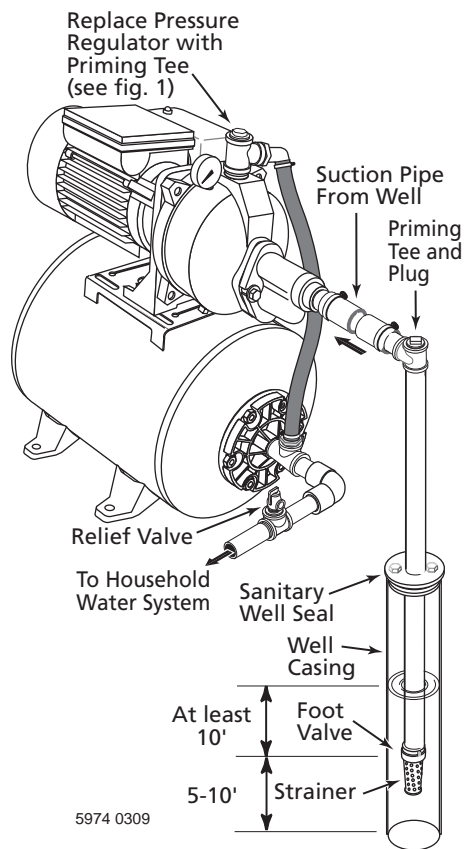


Figure 7: Cased Well Installation

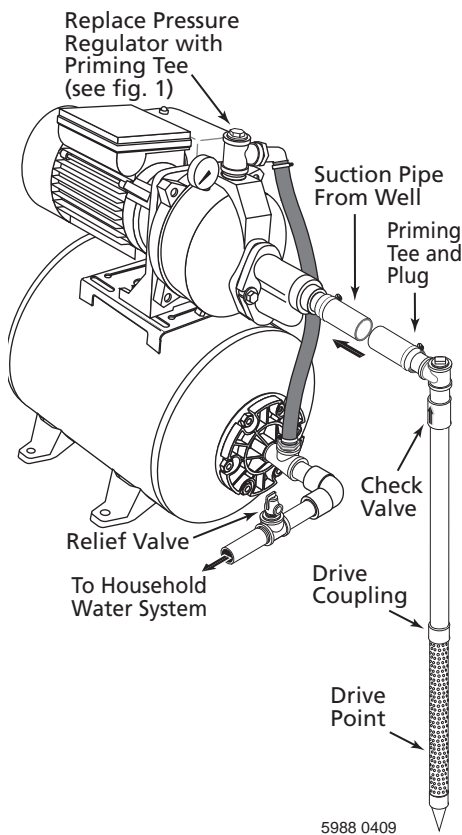


Figure 8: Driven Point Installation

Shallow Well Installations

- Step 1. Remove the control valve from the pump body. Replace it with a 1" NPT close nipple, a 1"x1"x3/4" NPT Tee, and a 1" NPT pipe plug (see Figure 1). Install the pressure gage in the plugged hole in the pump body (see Figure 4).
- Step 2. Install the ejector kit. Follow the instructions provided with the kit. Align the venturi with the top hole on the front of the pump (see Figure 6).

Cased Well Installation, 2" or Larger Casing (Figure 7)

- Step 3. Mount the pump as close to the well as possible. Connect the pipe from the well to the pump suction port, using the fewest possible fittings – especially elbows – as fittings increase friction in the pipe.
- Step 4. Assemble the foot valve, strainer, and well pipe (see Figure 7). Make sure that the foot valve works freely.
- Step 5. Lower the pipe into the well until the strainer is five feet above the bottom of the well. It should also be at least 10 feet below the well's water level while the pump is running in order to prevent the pump from sucking air. Install a sanitary well seal.

Driven Point Installation (Figure 8)

- Step 3. Drive the well, using "drive couplings" and a "drive cap". "Drive fittings" are threaded all the way through and allow the pipe ends to butt against each other so that the driving force of the maul is carried by the pipe and not by the threads. The ordinary fittings found in hardware stores are not threaded all the way through the fitting and can collapse under impact. "Drive fittings" are also smoother than standard plumbing fittings, making ground penetration easier.

- Step 4. Mount the pump as close to the well as possible.
- Step 5. If one well point does not supply enough water, consider connecting two or three well points to one suction pipe.

All Shallow Well Installations

- Step 6. Install a priming tee, priming plug, and suction pipe to the pump (see Figures 7 and 8). Connect the pipe from the well to the pump suction port, using the fewest possible fittings – especially elbows – as fittings increase friction in the pipe.
 - The suction pipe should be at least as large as the suction port on the pump (include a check valve – see Figures 7 and 8).
 - Support the pipe so that there are no dips or sags in the pipe, so it doesn't strain the pump body, and so that it slopes slightly upward from the well to the pump (high spots can cause air pockets which can air lock the pump).
 - Seal the pipe joints with Teflon™ tape or Teflon-based™ pipe joint compound. Joints must be air- and water-tight. If the suction pipe can suck air, the pump cannot pull water from the well.
- Step 7. Run piping from the discharge tee in the tank flange to the household piping. The discharge piping must be at least as large as the tank tee. Install a relief valve in the discharge pipe capable of passing the entire pump flow at 75 psi. Run a pipe from the relief valve to a floor drain or some other convenient place to carry off the water.

You have just completed the piping for your new pump/tank system. Please go to Page 9 for electrical connections.

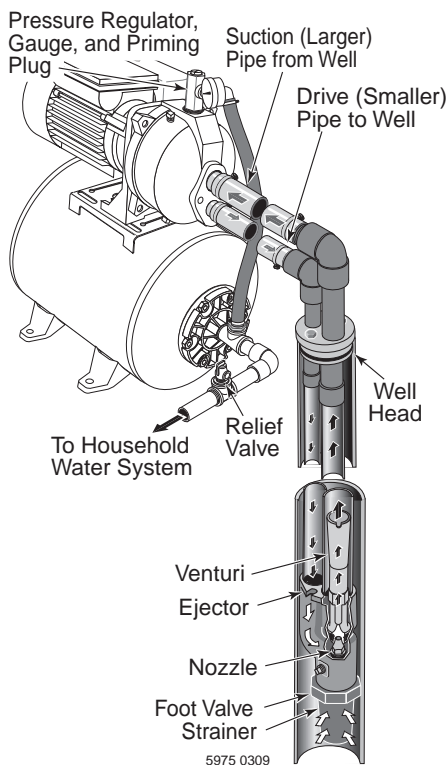


Figure 9: 4" and Larger Deep Well

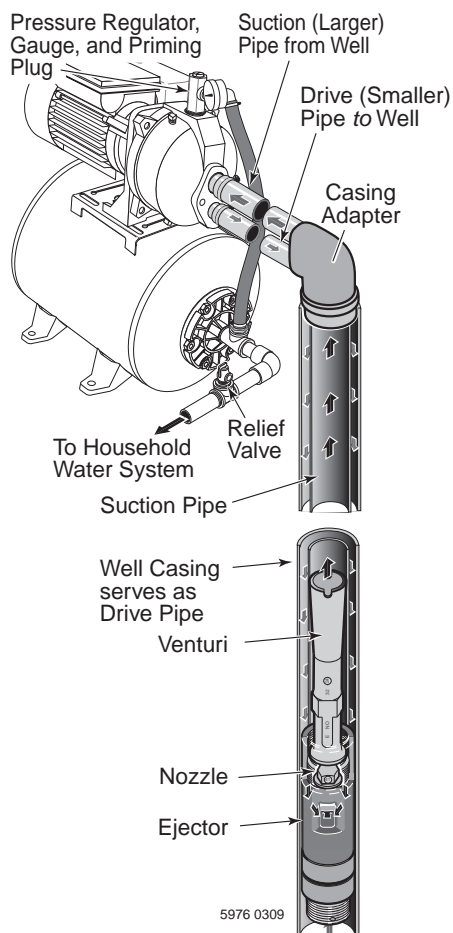


Figure 10: 2" (Single Pipe) Deep Well

4" Or Larger Well (Figure 9)

- Step 1. Install the pressure regulator and pressure gauge in the pump body. See Figure 4, Page 6.
- Step 2. Assemble the ejector kit. See Figure 9. Follow the instructions included with the kit in order to match the nozzle and venturi to your well conditions.
- Step 3. Mount the pump as close to the well as possible.
- Step 4. Connect two pipes (1" drive, 1-1/4" suction) to the ejector and lower the ejector into the well until it is five feet from the bottom. It should also be at least 10 feet below the well's water level while the pump is running in order to prevent the pump from sucking air.
- Step 5. Install a sanitary well seal and connect the ejector piping to the pump. Use steel nipples through the well seal with flexible poly pipe to avoid crushing the plastic pipe when tightening the seal.
- Step 6. Support the pipe so that there are no dips or sags in the pipe, so it doesn't strain the pump body, and so that it slopes slightly upward from the well to the pump (high spots can cause air pockets which can air lock the pump). Seal the pipe joints with Teflon™ tape or a Teflon™-based pipe joint compound. Joints must be air- and water-tight. If the suction pipe can suck air, the pump cannot pull water from the well.
- Step 7. Run piping from the discharge tee in the tank flange to the household piping. The discharge piping must be at least as large as the tank tee. Install a relief valve in the discharge pipe capable of passing the entire pump flow at 75 psi. Run a pipe from the relief valve to a floor drain or some other convenient place to carry off the water.

You have just completed the plumbing for your new pump. Please go to Page 9 for electrical connections.

2" Well (Figure 10)

- Step 1. Install the pressure regulator and pressure gauge in the pump body. See Figure 4, Page 6.
- Step 2. Mount the pump as close to the well as possible.
- Step 3. Assemble ejector kit, well piping, and well head adapter according to the instructions provided with the ejector package. See Figure 10. Use galvanized drop pipe with turned couplings to allow proper flow. Follow the instructions included with the kit in order to match the nozzle and venturi to your well conditions.
- Step 4. Run two pipes (one smaller drive pipe, one larger suction pipe) from the well to the pump. Support the pipe so that there are no dips or sags in the pipe, so it doesn't strain the pump body, and so that it slopes slightly upward from the well to the pump (high spots can cause air pockets which can air lock the pump). Seal the pipe joints with Teflon™ tape or a Teflon™-based pipe joint compound. Joints must be air- and water-tight. If the suction pipe can suck air, the pump cannot pull water from the well.
- Step 5. Run piping from the discharge tee in the tank flange to the household piping. The discharge piping must be at least as large as the tank tee. Install a relief valve in the discharge pipe capable of passing the entire pump flow at 75 psi. Run a pipe from the relief valve to a floor drain or some other convenient place to carry off the water.

You have just completed the plumbing for your new pump. Please go to Page 9 for electrical connections.

NOTE: The ejector kit supplied with your pump tank system will not work with a 2" well. You must purchase kit part number FPAP2-P2 separately.

⚠ Disconnect power before working on pump, motor, pressure switch, or wiring.

⚠ CAUTION Risk of fire. Never wire a 115 volt motor to a 230 volt line.

Check Voltage Setting.

1. **Turn off power to the pump!**
2. Determine if the power supplied to the pump is 115 or 230 volts.
3. A qualified person must install electrical wiring.
4. The voltage switch is factory set to 115 volts. If you have 115 volt service, do not change the selection. 1/2 HP motors are preset at the factory for 115 volts.
5. To change the voltage (if necessary), remove the motor capacitor cover and slide the switch fully to the correct voltage.
6. Reinstall the cover.

Do Not Turn On Power Yet!

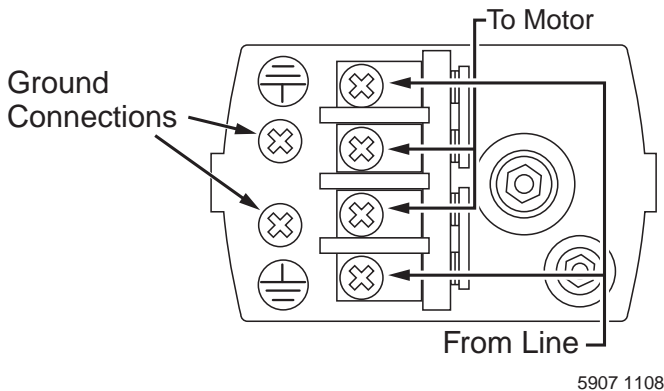


Figure 11: Connect power supply wires to pressure switch as shown.

Connect Power Supply Wiring To Pressure Switch

1. Remove the pressure switch cover.
2. Attach power and ground wires to the pressure switch as indicated.
3. Reinstall the cover.

Do Not Turn On Power Yet!

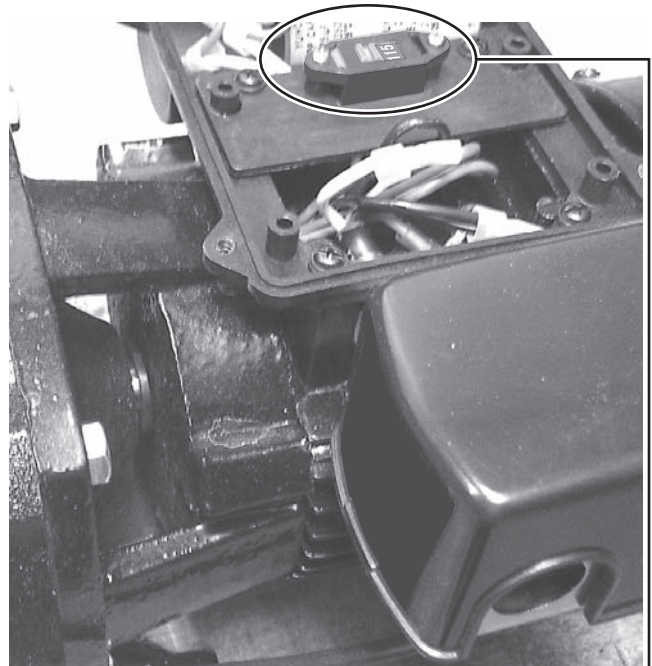


Figure 12A: Remove cover from capacitor box to reach voltage change slide switch.

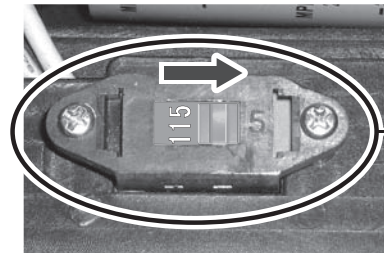


Figure 12B: Pump is shipped from factory set for 115-volt operation (above). To change to 230-volt operation, slide switch to display '230' (below).

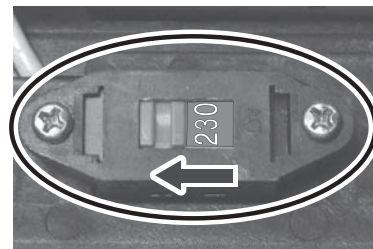


Figure 12C: Slide switch set for 230-volt operation.

⚠ WARNING **Hazardous voltage. Can shock, burn, or kill.** Connect ground wire before connecting power supply wires. Use the wire size (including the ground wire) specified in the wiring chart. If possible, connect the pump to a separate branch circuit with no other appliances on it.

⚠ WARNING **Explosion hazard.** Do not ground to a gas supply line.

Wiring Connections

⚠ WARNING **Fire hazard.** Incorrect voltage can cause a fire or seriously damage the motor and voids the warranty. The supply voltage must be within ±10% of the motor nameplate voltage.

NOTICE: The motor is factory wired for 115 volts. If necessary, reconnect the motor for 230 volts, as shown in Figures 12A, 12B, and 12C. Do not attempt to operate the pump as it comes from the factory on 230 volts.

Install, ground, wire, and maintain your pump in compliance with the National Electrical Code (NEC) or the Canadian Electrical Code (CEC), as applicable, and with all local codes and ordinances that apply. Consult your local building inspector for code information.

Connection Procedure:

- Step 1. Connect the ground wire first as shown in Figure 11. The ground wire must be a solid copper wire at least as large as the power supply wires.
- Step 2. There must be a solid metal connection between the pressure switch and the motor for motor grounding protection. If the pressure switch is not connected to the motor, connect the green ground screw in the switch to the green ground screw under the motor end cover. Use a solid copper wire at least as large as the power supply wires.
- Step 3. Connect the ground wire to a grounded lead in a service panel, to a metal underground water pipe, to a metal well casing at least ten feet (3M) long, or to a ground electrode provided by the power company or the hydro authority.
- Step 4. Connect the power supply wires to the pressure switch as shown in Figure 11.

**You have just completed the wiring for your pump.
Please go to Page 11 or 12 for startup preparations.**

Wiring Chart – Recommended Wire and Fuse Sizes

Model	Motor HP	Volts	Nameplate Amps	Branch Fuse Rating Amp	DISTANCE IN FEET FROM MOTOR TO SUPPLY			
					0 - 100	101 - 200	201 - 300	301 - 400
					AWG WIRE SIZE (mm ²)			
220515H	1/2	115/230	8.5/4.2	15	14/14 (2/2)	12/14 (3/2)	10/14 (5.5/2)	8/14 (8.4/2)
320515H	1/2	115/230	7.0/3.5	15	14/14 (2/2)	12/14 (3/2)	10/14 (5.5/2)	10/14 (5.5/2)

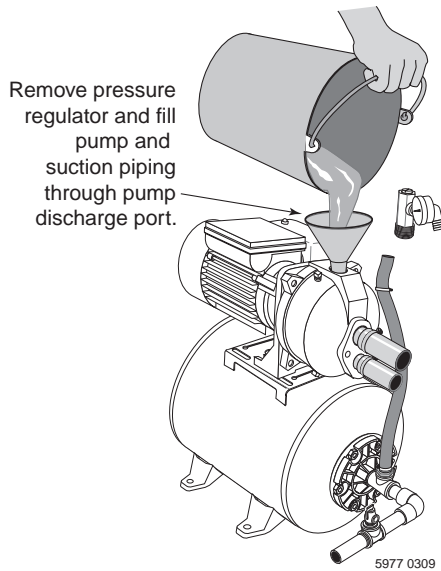


Figure 13: Fill Pump

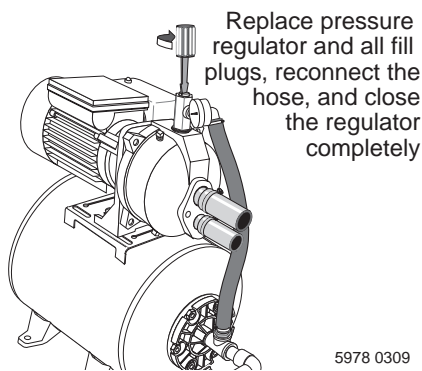
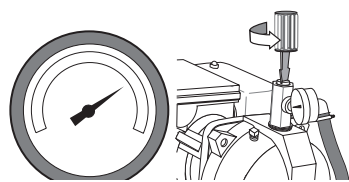
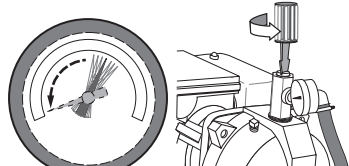


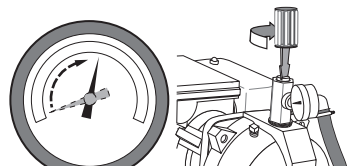
Figure 14: Prime Pump



A-SLOWLY open Pressure Regulator



B-Watch for Gauge to Flutter or Drop



C-Close Pressure Regulator until Pressure Stabilizes

Figure 15: Set Control Valve

⚠ CAUTION **Never run pump dry.** Running pump without water may cause pump to overheat, damaging seal and possibly causing burns to persons handling pump. Fill pump with water before starting.

⚠ WARNING **Never run pump against closed discharge.** To do so can boil water inside pump, causing hazardous pressure in unit, risk of explosion and possibly scalding persons handling pump.

Step 1. Open the pressure regulator as far as possible without backing it out of the regulator body. Then remove the regulator from the pump and fill the pump, fill all piping between the pump and the well, and make sure that all piping in the well is full. If you have also installed a priming tee in the suction piping, remove the plug from the tee and fill the suction piping (see Figure 13).

Step 2. Replace all fill plugs and close the pressure regulator completely (Figure 14).

Step 3. Power on! Start the pump and watch the pressure gauge. The pressure should build rapidly to about 50 PSI as the pump primes.

Step 4. After 2 or 3 minutes, the gauge should show pressure. If not, stop the pump, remove the fill plugs, reopen the control valve, and refill the pump and piping. You may have to repeat this two or three times in order to get all the trapped air out of the piping. Don't forget to close the control valve each time before you start the pump.

Step 5. When pressure has built up and stabilized at about 50 PSI, slowly open the control valve (see Figure 15) and let the pressure drop until the pressure gauge needle starts to flutter or drops to 0. When the needle flutters or drops, close the valve just enough to stop the flutter or bring the needle back to a stable pressure (see Figure 15). Your pump is now operating at its most efficient point.

Step 6. After the pump has built up pressure in the system and shut off, check the pressure switch operation by opening a faucet or two and running enough water out to bleed off pressure until the pump starts. The pump should start when pressure drops to 30 PSI and stop when pressure reaches 50 PSI. Run the pump through one or two complete cycles to verify correct operation. This will also help clean the system of dirt and scale dislodged during installation.

Congratulations on a successful installation.

If you were unsuccessful, please refer to the Troubleshooting section or call our customer service technical staff.

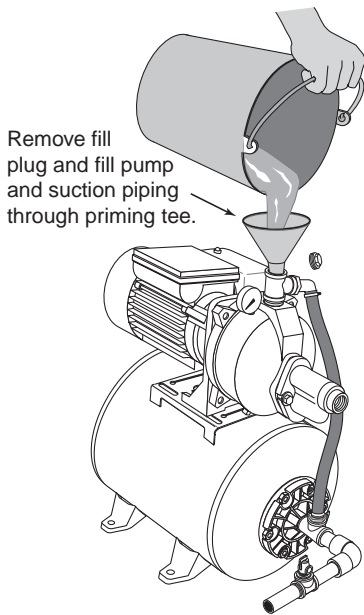


Figure 16: Fill Pump through Priming Tee

⚠ CAUTION **Never run pump dry.** Running pump without water may cause pump to overheat, damaging seal and possibly causing burns to persons handling pump. Fill pump with water before starting.

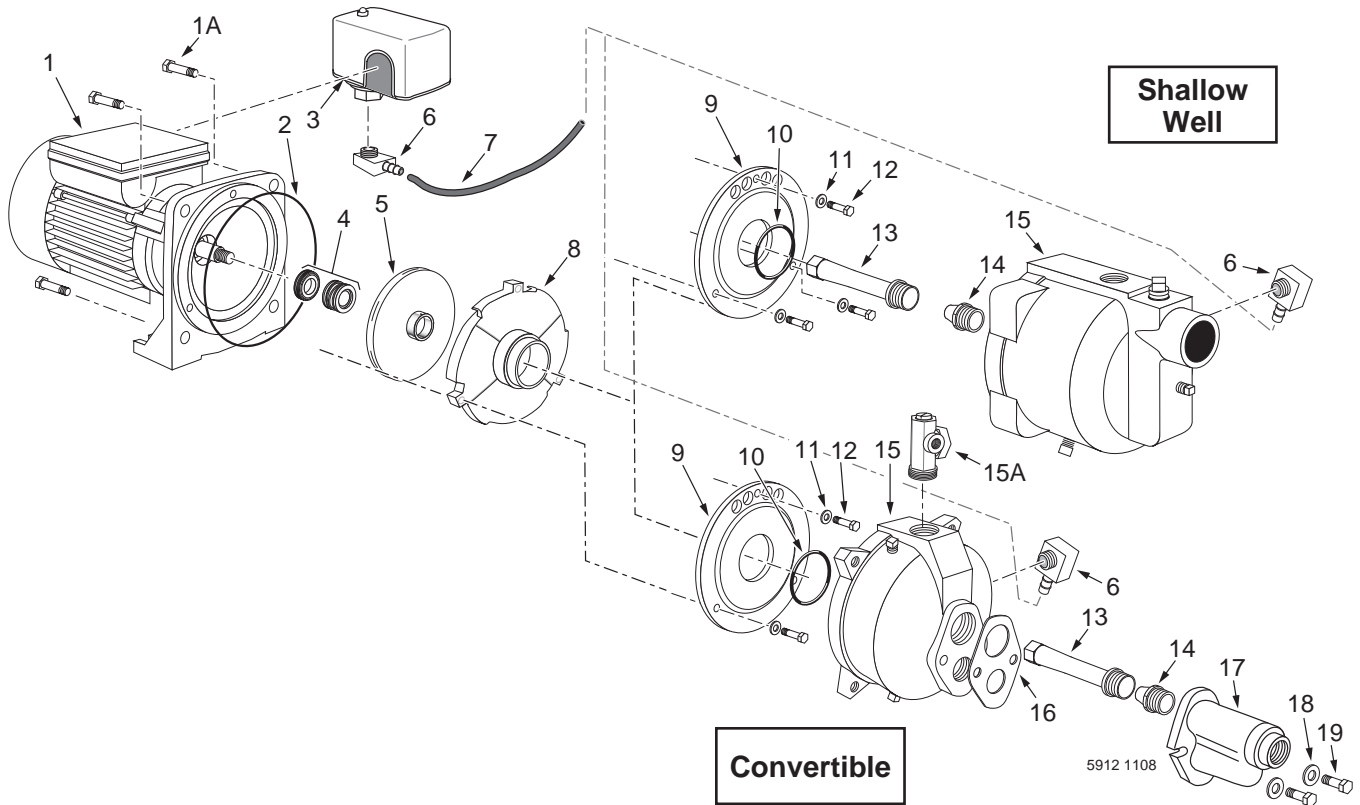
⚠ WARNING **Never run pump against closed discharge.** To do so can boil water inside pump, causing hazardous pressure in unit, risk of explosion and possibly scalding persons handling pump.

- Step 1. Remove the priming plug from the pump and fill the pump, fill all piping between the pump and the well, and make sure that all piping in the well is full (see Figure 16). If you have also installed a priming tee in the suction piping, remove the plug from the tee and fill the suction piping.
- Step 2. Replace all fill plugs.
- Step 3. Power on! Start the pump. The pump should pump water in two or three minutes.
- Step 4. If you don't have water after 2 or 3 minutes, stop the pump and remove the fill plugs. Refill the pump and piping. You may have to repeat this two or three times in order to get all the trapped air out of the piping.
- Step 5. After the pump has built up pressure in the system and shut off, check the pressure switch operation by opening a faucet or two and running enough water out to bleed off pressure until the pump starts. The pump should start when pressure drops to 30 PSI and stop when pressure reaches 50 PSI. Run the pump through one or two complete cycles to verify correct operation. This will also help clean the system of dirt and scale dislodged during installation.

Congratulations on a successful installation.

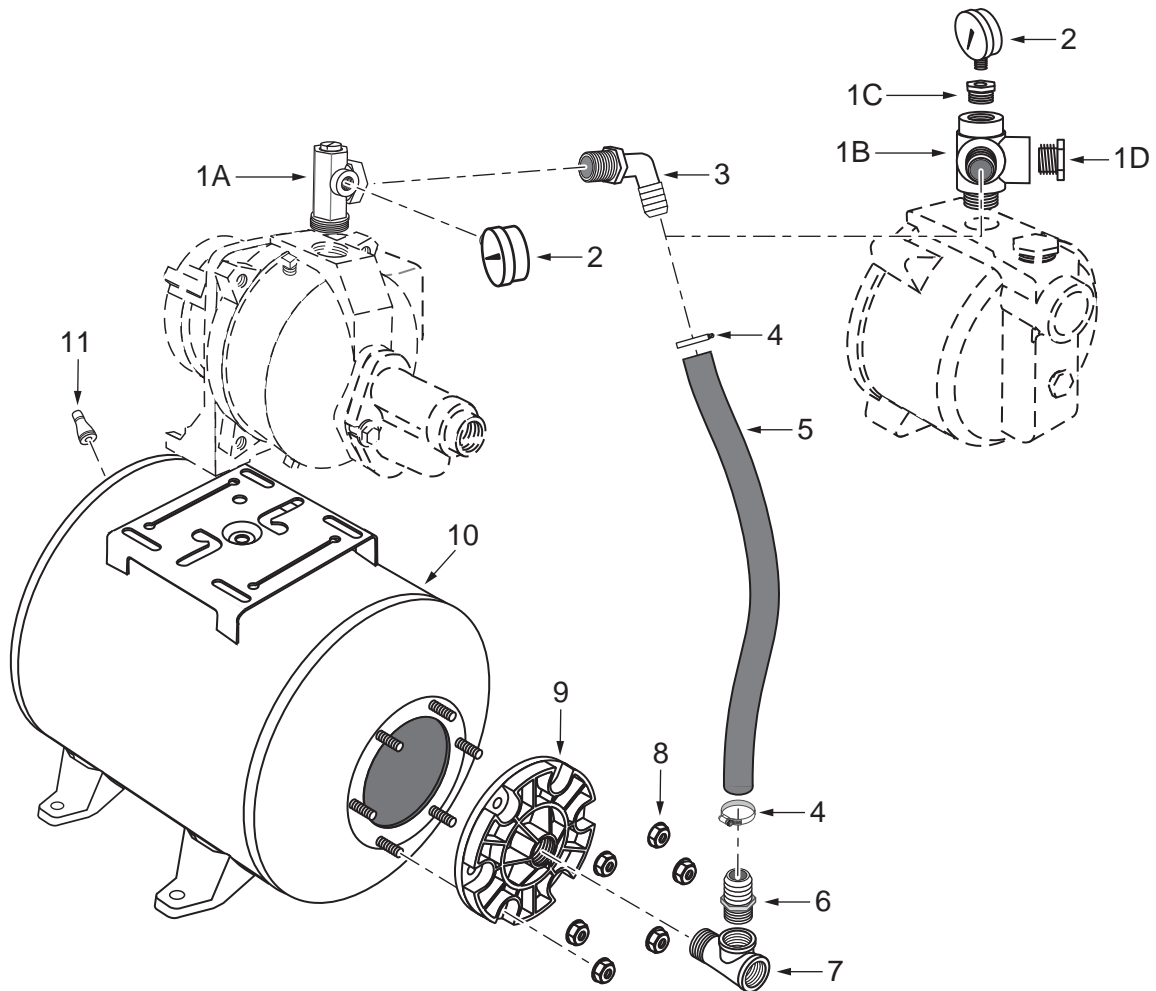
If you were unsuccessful, please refer to the Troubleshooting section or call our customer service technical staff.

Symptom	Possible Cause(s)	Corrective Action
Motor will not run	Disconnect switch is off	Be sure switch is on.
	Fuse is blown or circuit breaker tripped	Replace fuse or reset circuit breaker.
	Starting switch is defective	DISCONNECT POWER; Replace starting switch.
	Wires at motor are loose, disconnected, or wired incorrectly	Refer to instructions on wiring (Page 9). DISCONNECT POWER; check and tighten all wiring. ⚠ WARNING Capacitor voltage may be hazardous. To discharge capacitor, hold insulated handle screwdriver BY THE HANDLE and short capacitor terminals together. Do not touch metal screwdriver blade or capacitor terminals. If in doubt, consult a qualified electrician.
	Pressure switch contacts are dirty	DISCONNECT POWER and file contacts with emery board or nail file.
Motor runs hot and overload kicks off	Motor is wired incorrectly	Refer to instructions on wiring.
	Voltage is too low	Check with power company. Install heavier wiring if wire size is too small (See Electrical / Wiring Chart).
	Pump cycles too frequently	See section below on too frequent cycling.
Motor runs but no water is delivered* * Stop pump; then check prime before looking for other causes. Unscrew priming plug and see if water is in priming hole.	Pump in new installation did not pick up prime through: 1. Improper priming 2. Air leaks 3. Leaking foot valve or check valve	In new installation: 1. Re-prime according to instructions. 2. Check all connections on suction line, AVC, and ejector with soapy water or shaving cream. 3. Replace foot valve or check valve.
	Pump has lost prime through: 1. Air leaks 2. Water level below suction pipe inlet	In installation already in use: 1. Check all connections on suction line and shaft seal. 2. Lower suction line into water and re-prime. If receding water level in well exceeds 25' (7.6M), a deep well pump is needed.
	Foot valve or strainer is plugged	Clean foot valve or strainer.
	Ejector or impeller is plugged	Clean ejector or impeller.
	Check valve or foot valve is stuck shut	Replace check valve or foot valve.
	Pipes are frozen	Thaw pipes. Bury pipes below frost line. Heat pit or pump house.
	Foot valve and/or strainer are buried in sand or mud	Raise foot valve and/or strainer above bottom of water source. Clean foot valve and strainer.
	Water level is too low for shallow well setup to deliver water	A deep well jet will be needed if your well is more than 25' (7.6M) depth to water.
	Pump does not deliver water to full capacity (Also check point 3 immediately above)	Water level in well is lower than estimated
Steel piping (if used) is corroded or limed, causing excess friction		Replace with plastic pipe where possible, otherwise with new steel pipe.
Piping is too small in size		Use larger piping.
Pump delivers water but does not shut off or pump cycles too frequently	Pressure switch is out of adjustment or contacts are welded together	DISCONNECT POWER; adjust or replace pressure switch.
	Faucets have been left open	Close faucets.
	Venturi, nozzle or impeller is clogged	Clean venturi, nozzle or impeller.
	Standard pressure tank is waterlogged and has no air cushion	Drain tank to air volume control port. Check AVC for defects. Check all connections for air leaks.
	Pipes leak	Check connections.
	Foot valve leaks	Replace foot valve.
	Pressure switch is out of adjustment	Adjust or replace pressure switch.
	Air charge too low in pre-charged tank	DISCONNECT POWER and open faucets until all pressure is relieved. Using tire pressure gauge, check air pressure in tank at valve stem located on the tank. If less than pressure switch cut-in setting (30-50 PSI), pump air into tank from outside source until air pressure is 2 PSI less than cut-in setting of switch. Check air valve for leaks (use soapy solution) and replace core if necessary.
Air spurts from faucets	Pump is picking up prime	When pump has picked up prime, it should pump solid water with no air.
	Leak in suction side of pump	Suction pipe is sucking air. Check joints for leaks with soapy water.
	Well is gaseous	Consult factory about installing a sleeve in the well.
	Intermittent over-pumping of well. (Water drawn down below foot valve.)	Lower foot valve if possible, otherwise restrict pump discharge.



Key No.	Part Description	Qty.	Key No.	Part Description	Qty.	Key No.	Part Description	Qty.
1	Motor/Seal Plate Assembly	1	8	Diffuser	1	15A	Pressure Regulator	1
1A	Motor Flange Screw	4	9	Diffuser Plate	1	16	Ejector Gasket	1
2	Seal Plate O-Ring	1	10	Diffuser Plate O-Ring	1	17	Ejector Body	1
3	Pressure switch	1	11	Diffuser Plate Washer	3	18	Washer	2
4	Shaft Seal	1	12	Diffuser Plate Screw	3	19	Ejector Capscrew	2
5	Impeller	1	13	Venturi	1			
6	1/4" NPT x 1/4" Barb Elbow	2	14	Nozzle	1			
7	Hose	1	15	Pump Body	1			

Pump Model and Horsepower		
Part Description	Convertible (Deep Well) Pumps	Shallow Well Pumps
	320515H	220515H
	1/2 HP	1/2 HP
Seal and O-Ring Kit	RPK-35	RPK-35
Overhaul Kit	RPK-205DW	RPK-205SW
Ejector Kit	FP520-100	-
Pump Body Assembly	R176-72	R176-73
Pressure Switch (30-50)	TC2151	TC2151
Pressure Switch Tubing	FPASFK	FPASFK
Pressure Regulator	FPAPR	-
Kits Include:		
Seal and O-Ring Kit:	Key Nos 2, 4, 10, 16	
Overhaul Kit (Shallow well)	Key Nos 1A, 2, 4, 5, 8, 9, 11(3), 12(3), 13, 14	
Overhaul Kit (Convertible)	Key Nos 1A, 2, 4, 5, 8, 9, 10, 11, 12	
Ejector Kit (Convertible)	Key Nos 6(2), 7, 13(5), 14(2), 16, 17, 18(2), 19(2)	
Pump Body Assembly (Convertible)	Key Nos 2, 6, 10, 15, 16, 1/4" NPT Plug(2), 1/2" NPT Plug	
Pump Body Assembly (Shallow well)	Key Nos 2, 6, 13, 14, 15, 1/4" NPT Plug(2), 1/2" NPT Plug	
Pressure Switch	Key No 3	
Pressure Switch Tubing Kit	Key Nos. 6(3), 7	




Key No.	Part Description	Qty.	320515H	220515H
1A	Pressure Regulator	1	FPAPR	-
1B	Discharge Cross	1	-	U78-961P
1C	Reducer Bushing 1/2" NPT x 1/8" NPT	1	-	U78-107PT
1D	Pipe Plug 1" NPT	1	-	U78-1008P
•	Pipe Plug 1/8" NPT	1	-	WC78-41T
2	Pressure Gauge	1	TC2104	TC2104
3	3/4" NPT x 1" Hose Barb 90° Elbow	1	U78-770P	-
4	1" Hose Clamp	2	U19-55SS	U19-55SS
5	1" Hose	1	U74-37R	U74-37H
6	3/4" NPT x 1" Hose Barb Adapter	1	24206A004	24206A004
7	3/4" NPT x 3/4" NPT x 3/4" NPT Street Tee	1	05002A001	05002A001
8	5/16"-18 Flanged Nuts	6	U36-202BT	U36-202BT
9	Tank Flange	1	U31-442P	U31-442P
•	Tank Bladder	1	U20-7	U20-7
10	Tank Body	1	*	*
11	Air Valve with Cap	1	U212-160	U212-160

* If tank body fails, replace entire tank (Part Number RT6H).

• Not illustrated.

Directives de sécurité importantes

Conservez ces directives – Ce manuel renferme d'importantes directives qu'il faut suivre durant l'installation et l'entretien de la pompe.

Ce symbole  indique qu'il faut être prudent. Lorsque ce symbole apparaît sur la pompe ou dans cette Notice, rechercher une des mises en garde qui suivent, car elles indiquent un potentiel de blessures corporelles!

Le mot signal **DANGER** indique un danger qui, s'il n'est pas évité, *causera* la mort ou des blessures graves.

Le mot signal **AVERTISSEMENT** indique un risque qui, s'il n'est pas évité, *pourrait causer* la mort ou des blessures graves.

Le mot signal **ATTENTION** indique un risque qui, s'il n'est pas évité, *pourrait causer* des blessures mineures ou modérées.

Le mot **AVIS** est utilisé pour les pratiques qui ne sont pas reliées aux blessures personnelles.

Lire attentivement toutes les consignes de sécurité contenues dans cette Notice ou collées sur la pompe.

Garder les autocollants de sécurité en bon état; les remplacer s'ils manquent ou s'ils ont été endommagés.

Sécurité concernant l'électricité

AVERTISSEMENT La tension du condensateur peut être dangereuse. Pour décharger le condensateur du moteur, tenir un tournevis à manche isolé PAR LE MANCHE et mettre en court-circuit les bornes du condensateur. Ne pas toucher la lame métallique du tournevis ni les bornes du condensateur. En cas de doute, consulter un électricien qualifié.

Sécurité générale

ATTENTION Ne pas toucher un moteur qui fonctionne.

Les moteurs modernes sont conçus pour fonctionner par des températures élevées. Pour ne pas se brûler lorsque l'on interviendra sur la pompe, la laisser refroidir pendant 20 minutes après l'avoir arrêtée avant de la toucher.

Ne pas laisser geler la pompe ni aucun autre élément du système, sinon la garantie sera annulée.

Ne pomper que de l'eau avec cette pompe.

Périodiquement, inspecter la pompe et tous les éléments du système.

Toujours porter des lunettes de sécurité lorsque l'on intervient sur une pompe.

Garder la zone de travail propre, non encombrée et bien éclairée; tous les outils et tout l'équipement non utilisés doivent être entreposés correctement.

Ne pas laisser les visiteurs s'approcher de la zone de travail.




AVERTISSEMENT Le corps de la pompe peut exploser si la pompe est utilisée en tant que pompe de surpression, à moins qu'une soupape de sûreté pouvant laisser passer le débit maximum de la pompe à 75 lb/po² soit posée.


 **AVERTISSEMENT**




Tension dangereuse. Risque de secousses électriques, de brûlures, voire de mort.

Mettre à la terre la pompe avant de la brancher sur le courant électrique. Couper l'arrivée de courant avant d'intervenir sur la pompe, sur le moteur ou sur le réservoir.


-  Câbler le moteur en fonction de la bonne tension. Voir la Section «Électricité» de cette Notice et la plaque signalétique du moteur.
-  Mettre à la terre le moteur avant de le brancher sur le courant électrique.
-  Conforme au Code national de l'électricité, au Code canadien de l'électricité et aux codes municipaux pour tous les câblages.

 **AVERTISSEMENT**



Pression dangereuse! Poser une soupape de sûreté sur le tuyau de refoulement.

Dissiper toute la pression du système avant d'intervenir sur un élément.

-  Respecter les instructions de câblage figurant dans cette Notice lorsque l'on branche le moteur sur une ligne haute tension.

Conserver l'original du reçu pour toute référence ultérieure

Garantie limitée

SIMER garantit à l'acheteur/au consommateur d'origine (l'Acheteur) que ses produits sont exempts de tout vice de matériau et de fabrication. Cette garantie est valable pendant douze (12) mois à partir de la date d'achat d'origine.

Si, dans les douze (12) mois suivant la date d'achat d'origine, un produit se révèle défectueux, il sera réparé ou remplacé, à la discrétion de SIMER, conformément aux modalités et conditions exposées ci-dessous. Le reçu de l'achat d'origine et l'étiquette d'information sur la garantie sont requis pour déterminer la recevabilité de la réclamation au titre de la garantie. La recevabilité de la réclamation se base sur la date de l'achat d'origine du produit, et non sur la date d'un éventuel remplacement sous garantie. La garantie est limitée à la réparation ou au remplacement du produit uniquement. L'Acheteur assume les frais de retrait, d'installation, de transport et tous les frais accessoires.

Pour obtenir des pièces ou de l'aide technique, NE PAS retourner le produit au détaillant. Contacter le service à la clientèle de SIMER au 1-800-468-7867.

Les réclamations au titre de cette garantie doivent être effectuées en retournant le produit (à l'exception des pompes d'eaux d'égout, voir ci-dessous) au détaillant où il a été acheté, et ce, immédiatement après la découverte de la défaillance supposée. SIMER prendra les mesures correctives nécessaires dans un délai rapide et raisonnable. Aucune demande de réparation ne sera acceptée plus de 30 jours après l'expiration de la garantie.

Cette garantie ne s'applique pas aux produits utilisés à des fins commerciales ou de location.

Pompes d'eaux d'égout

NE PAS RETOURNER une pompe d'eaux d'égout (qui a été installée) au détaillant. Communiquer avec le service à la clientèle de SIMER. Les pompes d'eaux d'égout qui ont été utilisées, puis retirées présentent un risque de contamination.

En cas de défaillance de la pompe d'eaux d'égout :

- Porter des gants en caoutchouc pour manipuler la pompe.
- À des fins de garantie, retourner l'étiquette figurant sur le cordon de la pompe et l'original du reçu au détaillant.
- Mettre la pompe au rebut conformément à la réglementation locale.

Exceptions à la garantie limitée de douze (12) mois

Produit	Période de garantie
BW85P, CM10, CMK, M40, M40P	90 jours
2300, 2310, 2330, 2520ULST, 2943, 2955, 2956, 2957, 2960, 5023SS, A5500	2 ans
Pompe pour puits submersibles de 4 pouces, 2945, 2958, 2975PC, 2985, 3075SS, 3983, 3984	3 ans
Réservoir préchargé de système d'eau, 3985, 3986, 3988, 3989	5 ans
3963, 3995, 3997	À vie

Modalités et conditions générales

L'Acheteur doit payer tous les frais de main d'œuvre et de transport nécessaires au remplacement du produit garanti couvert par cette garantie.

Cette garantie ne s'applique pas à ce qui suit : (1) Les catastrophes naturelles; (2) Les produits qui, selon SIMER, ont fait l'objet d'une négligence, d'une utilisation abusive, d'un accident, d'une mauvaise application ou d'une altération; (3) Les défaillances dues à une installation, une utilisation, un entretien ou un entreposage inappropriés; (4) Une application, une utilisation ou une réparation atypique ou non approuvée; (5) Les défaillances causées par la corrosion, la rouille ou d'autres matériaux étrangers au système, ou par une utilisation à une pression supérieure au maximum recommandé.

Cette garantie établit la responsabilité unique de SIMER et le recours exclusif de l'Acheteur en cas de produit défectueux.

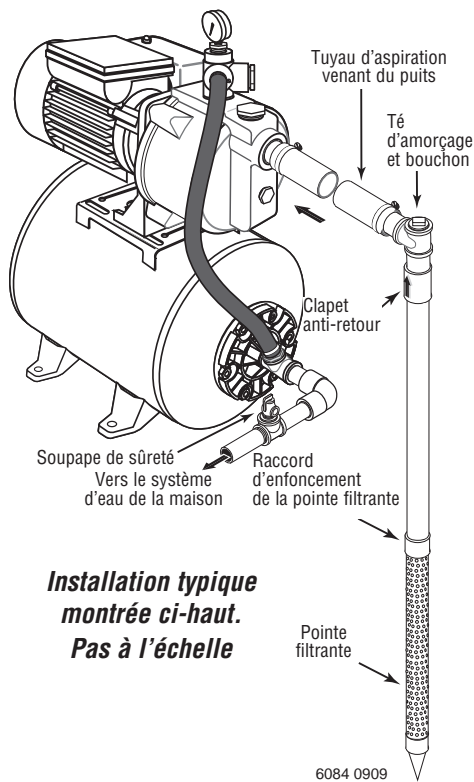
SIMER NE POURRA ÊTRE TENUE RESPONSABLE DE TOUT DOMMAGE INDIRECT OU CONSÉCUTIF QUEL QU'IL SOIT.

LES PRÉSENTES GARANTIES SONT EXCLUSIVES ET REMPLACENT TOUTE AUTRE GARANTIE EXPRESSE OU IMPLICITE, Y COMPRIS, MAIS SANS S'Y LIMITER, CELLE DE QUALITÉ MARCHANDE OU D'APTITUDE DU PRODUIT À UN EMPLOI PARTICULIER. LES PRÉSENTES GARANTIES NE PEUVENT SE PROLONGER AU-DELÀ DE LA PÉRIODE DE GARANTIE INDIQUÉE ICI.

Certains États ne permettent pas l'exclusion ou la limitation des dommages indirects ou consécutifs, ni les limitations relatives à la durée des garanties implicites. Par conséquent, il se peut que les limitations ou les exclusions ci-dessus ne s'appliquent pas. Cette garantie procure des droits juridiques précis à l'Acheteur. Cependant, il est possible de bénéficier d'autres droits, qui varient selon l'État.

SIMER • 293 Wright Street • Delavan, WI U.S.A. 53115

Téléphone : 1 800 468-7867 • Télécopieur : 1 800 390-5351 • Site Web : SimerPump.com



Installation typique montrée ci-haut. Pas à l'échelle

Figure 1: Installation avec une pointe filtrante

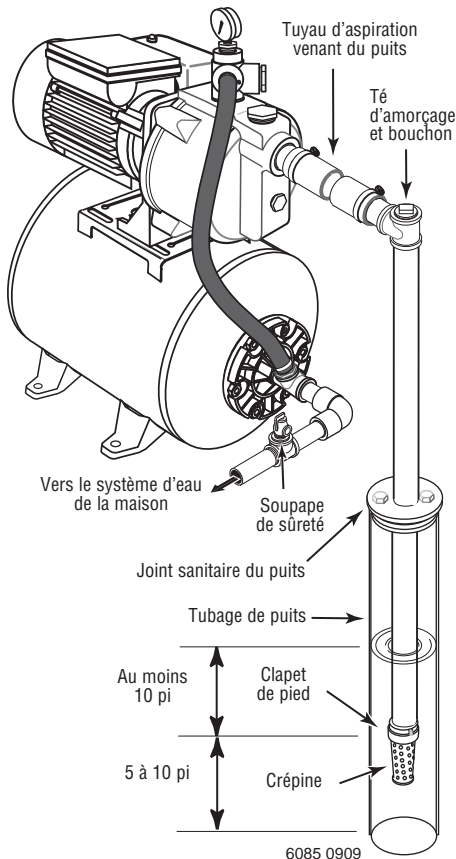


Figure 2 : Installation dans un puits à tubage

Remplacement d'une ancienne pompe

⚠ AVERTISSEMENT Tension dangereuse. Couper l'arrivée de courant à la pompe avant d'intervenir sur la pompe ou sur le moteur.

- 1 ° Vider toute l'eau de l'ancienne pompe; déposer l'ancienne pompe. Vérifier l'ancienne tuyauterie à la recherche de dépôts de tartre, de chaux, de rouille, etc.; la remplacer selon le besoin.
- 2 ° Brancher la pompe sur le système. S'assurer que tous les raccords du tuyau d'aspiration sont bien étanches, aussi bien à l'air qu'à l'eau. *Si le tuyau d'aspiration aspire de l'air, la pompe ne pompera pas l'eau du puits.*
- 3 ° Régler la hauteur de montage de la pompe de façon que les raccords de plomberie n'exercent aucune contrainte sur le corps de la pompe. Supporter les tuyaux de façon que le corps de la pompe ne supporte pas le poids de la tuyauterie ni des raccords.

Le branchement de cette pompe neuve sur la tuyauterie du puits est maintenant terminé. Voir à la page 23 pour les connexions électriques.

Installation de la pointe filtrante (Figure 1)

- 1 ° Enfoncer la pointe dans le sol, en utilisant des «raccords d'enfoncement» et des «chapeaux de battage». Les «raccords d'enfoncement» sont filetés sur toute leur longueur, ce qui permet aux extrémités des tuyaux de venir en butée l'une contre l'autre de façon que la force d'enfoncement du maillet soit absorbée par le tuyau et non pas par les filets. Les raccords ordinaires que l'on trouve dans les quincailleries ne sont pas filetés sur toute leur longueur et ils risquent de s'écraser sous l'impact des coups. Les «raccords d'enfoncement» sont également plus lisses que les raccords de plomberie standard, ce qui leur permet de pénétrer plus facilement dans le sol.
- 2 ° Monter la pompe aussi près que possible du puits.
- 3 ° Utiliser le moins possible de raccords (en particulier des coudes) lorsque l'on branche la tuyauterie de la pointe filtrante sur l'orifice d'aspiration de la pompe. Le diamètre du tuyau d'aspiration doit être au moins aussi grand que le diamètre de l'orifice d'aspiration de la pompe (y compris le clapet anti-retour si la pompe n'en comporte pas un - voir la Figure 1). Supporter le tuyau de façon qu'il ne soit pas cintré afin qu'il n'exerce pas de contraintes sur le corps de la pompe; de plus, il doit être légèrement incliné vers le haut, du puits jusqu'à la pompe (les points hauts risquent de causer des poches et des bouchons d'air dans la pompe). Rendre étanches les raccords filetés avec du ruban ¹Téflon™ ou une pâte pour raccords filetés à base de Téflon™ approuvée pour les tuyaux en PVC. Les raccords doivent être étanches à l'air et à l'eau. *Si le tuyau d'aspiration aspire de l'air, la pompe ne pompera pas l'eau du puits.* Si une pointe filtrante ne fournit pas suffisamment d'eau, considérer brancher deux ou trois pointes filtrantes sur un même tuyau d'aspiration.

¹ E. I. DuPont de Demours and Company Corporation, Delaware

Le branchement de cette pompe neuve sur la tuyauterie du puits est maintenant terminé. Voir à la page 23 pour les connexions électriques.

Installation sur un puits à tubage de 2 pouces de diamètre ou plus grand (voir la Figure 2)

- 1 ° Monter la pompe aussi près que possible du puits.
- 2 ° Brancher le clapet de pied, la crépine et le tuyau du puits (voir la Figure 2). S'assurer que le clapet de pied fonctionne librement.
- 3 ° Abaisser le tuyau dans le puits jusqu'à ce que la crépine soit à cinq pieds du fond du puits. Pour que la pompe n'aspire pas d'air, la crépine doit être au moins à 10 pieds sous le niveau de l'eau du puits pendant que la pompe fonctionne. Poser un joint sanitaire de puits.

- 4 ° Poser le té d'amorçage, le bouchon d'amorçage et le tuyau d'aspiration sur la pompe (voir la Figure 2). Brancher le tuyau provenant du puits sur l'orifice d'aspiration de la pompe en utilisant le moins possible de raccords - en particulier des coudes - étant donné que les raccords augmentent le frottement de l'eau dans les tuyaux (il faut toutefois ajouter un clapet de pied — voir la Figure 2). Le diamètre du tuyau d'aspiration doit être au moins aussi grand que le diamètre de l'orifice d'aspiration de la pompe. Supporter le tuyau de façon qu'il ne soit pas cintré afin qu'il n'exerce pas de contraintes sur le corps de la pompe; de plus, il doit être légèrement incliné vers le haut, du puits jusqu'à la pompe (les points hauts risquent de causer des poches et des bouchons d'air dans la pompe). Rendre étanches les raccords du tuyau d'aspiration avec du ruban Téflon™ ou une pâte pour raccords filetés à base de Téflon™. Les raccords doivent être étanches à l'air et à l'eau. *Si le tuyau d'aspiration aspire de l'air, la pompe ne pompera pas l'eau du puits.*

Le branchement de cette pompe neuve sur la tuyauterie du puits est maintenant terminé. Voir à la page 23 pour les connexions électriques.

Étanchéité des raccords des tuyaux

N'utiliser que du ruban Téflon™ ou de la pâte d'étanchéité pour raccords filetés à base de Téflon™ pour procéder à tous les raccords filetés sur la pompe. **Ne pas utiliser de pâte pour raccords filetés sur les pompes en plastique** : cette pâte peut réagir avec les éléments en plastiques de la pompe. S'assurer que tous les raccords du tuyau d'aspiration sont bien étanches, aussi bien à l'air qu'à l'eau. *Si le tuyau d'aspiration aspire de l'air, la pompe ne pompera pas l'eau du puits.*

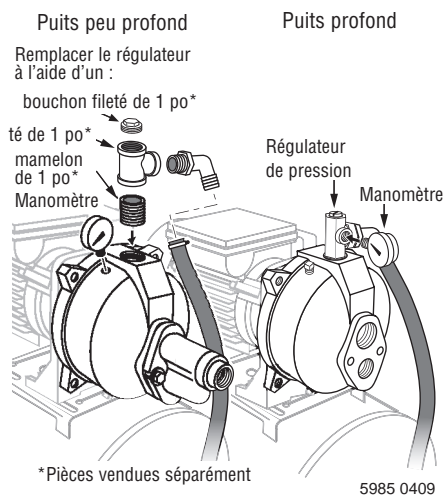


Figure 4 : Poser le régulateur de pression et le manomètre (puits profond). Poser le té d'amorçage et le manomètre (puits peu profond).

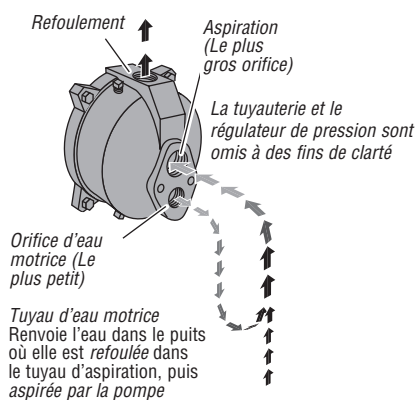


Figure 5 : Fonctions d'eau motrice et d'aspiration

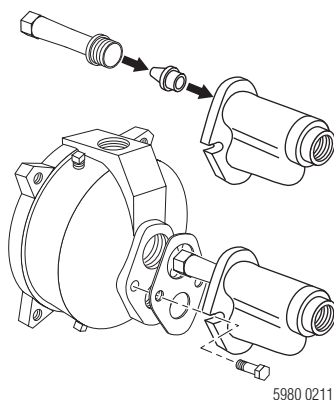


Figure 6 : Montage de l'éjecteur - puits peu profonds

Puits profonds

⚠ AVERTISSEMENT Tension dangereuse. Couper l'arrivée de courant à la pompe avant d'intervenir sur la pompe ou sur le moteur.

- 1 ° Vider toute l'eau de l'ancienne pompe; déposer l'ancienne pompe. Vérifier la tuyauterie à la recherche de dépôts de tartre, de chaux, de rouille, etc.; la remplacer selon le besoin.
- 2 ° Poser le régulateur de pression et le manomètre sur le corps de la pompe (voir la Figure 4).
AVIS : L'ancien éjecteur (celui qui est dans le puits) ne s'assortira peut-être pas bien avec la nouvelle pompe. Si le rendement de la nouvelle pompe n'est pas adéquat, nous recommandons de poser un nécessaire d'éjecteur FP520-100-P2 (fourni).
- 3 ° Raccorder la pompe et le réservoir au réseau d'alimentation. S'assurer que tous les raccords du tuyau d'aspiration sont bien étanches, aussi bien à l'air qu'à l'eau. Si le tuyau d'aspiration aspire de l'air, la pompe ne pompera pas l'eau du puits.
- 4 ° Régler la hauteur de montage de la pompe de façon que les raccords de plomberie n'exercent aucune contrainte sur le corps de la pompe. Supporter les tuyaux de façon que le corps de la pompe ne supporte pas le poids de la tuyauterie ni des raccords.
- 5 ° Raccorder une extrémité de la tuyauterie au té de refoulement de la bride du réservoir et l'autre à la tuyauterie de la maison. Le diamètre de la tuyauterie de refoulement doit être égal ou supérieur à celui du té du réservoir. Poser une soupape de sûreté sur le tuyau de refoulement pour que l'écoulement de la pompe soit de 75 lb/po². Faire passer un tuyau de la soupape de sûreté jusqu'à un avaloir de sol ou tout autre dispositif qui permet de faire évacuer l'eau.

Le raccordement de la pompe neuve et du réservoir est maintenant terminé. Voir à la page 23 pour les connexions électriques.

Puits peu profonds – (Convertible – Voir la page 18 pour les pompes pour puits peu profonds)

⚠ AVERTISSEMENT Tension dangereuse. Couper l'arrivée de courant à la pompe avant d'intervenir sur la pompe ou sur le moteur.

- 1 ° Vider toute l'eau de l'ancienne pompe; déposer l'ancienne pompe. Vérifier la tuyauterie à la recherche de dépôts de tartre, de chaux, de rouille, etc.; la remplacer selon le besoin.
- 2 ° Retirer le régulateur de pression du corps de la pompe et la remplacer par un mamelon simple, un té de 1 po x 1 po x 3/4 po à filetage NPT et un bouchon de 1 po à filetage NPT (voir la figure 4). Poser le manomètre dans le trou de visite du corps de la pompe (voir la figure 4).
- 3 ° Poser le nécessaire d'éjecteur. Suivre les instructions fournies avec le nécessaire. S'assurer de bien aligner le venturi avec le trou supérieur qui se trouve à l'avant de la pompe (voir la Figure 6).
AVIS : Toujours remplacer l'éjecteur lorsque l'on remplace la pompe d'un puits peu profonds.
- 4 ° Raccorder la pompe et le réservoir au réseau d'alimentation. S'assurer que tous les raccords du tuyau d'aspiration sont bien étanches, aussi bien à l'air qu'à l'eau. Si le tuyau d'aspiration aspire de l'air, la pompe ne pompera pas l'eau du puits.
- 5 ° Régler la hauteur de montage de la pompe de façon que les raccords de plomberie n'exercent aucune contrainte sur le corps de la pompe. Supporter les tuyaux de façon que le corps de la pompe ne supporte pas le poids de la tuyauterie ni des raccords.
- 6 ° Raccorder une extrémité de la tuyauterie au té de refoulement de la bride du réservoir et l'autre à la tuyauterie de la maison. Le diamètre de la tuyauterie de refoulement doit être égal ou supérieur à celui du té du réservoir. Poser une soupape de sûreté sur le tuyau de refoulement pour que l'écoulement de la pompe soit de 75 lb/po². Faire passer un tuyau de la soupape de sûreté jusqu'à un avaloir de sol ou tout autre dispositif qui permet de faire évacuer l'eau.

Le raccordement de la pompe neuve et du réservoir est maintenant terminé. Voir à la page 23 pour les connexions électriques.

pompe convertible

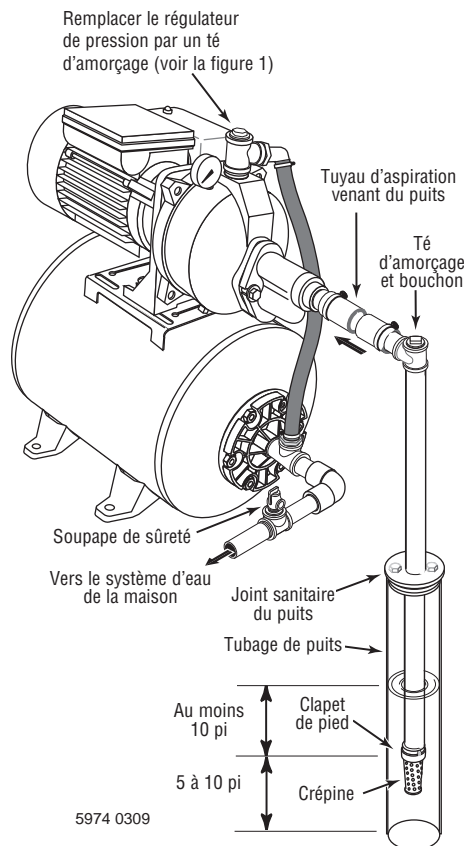


Figure 7 : Installation dans un puits à tubage

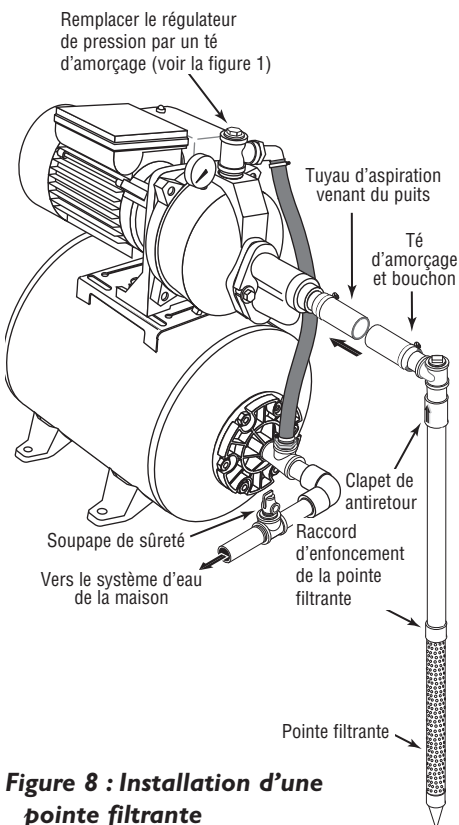


Figure 8 : Installation d'une pointe filtrante

Installation pour puits peu profond

- 1 ° Retirer la vanne de régulation du corps de la pompe et la remplacer par un mamelon simple, un té de 1 po x 1 po x 3/4 po à filetage NPT et un bouchon de 1 po à filetage NPT (voir la figure 1). Poser le manomètre dans le trou de visite du corps de la pompe (voir la figure 4).
- 2 ° Poser le nécessaire d'éjecteur. Suivre les instructions fournies avec le nécessaire. Aligner le venturi avec le trou supérieur qui se trouve à l'avant de la pompe (voir la figure 6).

Installation dans un puits tubé, tubage de 2 po ou plus (Figure 7)

- 3 ° Monter la pompe aussi près que possible du puits. Raccorder le tuyau provenant du puits à l'orifice d'aspiration de la pompe en utilisant le moins de raccords possible, en particulier des coudes. Les raccords ont pour effet d'accroître la friction dans le tuyau.
- 4 ° Poser le clapet de pied, la crépine et le tubage (voir la figure 7). S'assurer que le clapet de pied fonctionne librement.
- 5 ° Faire descendre le tuyau dans le puits jusqu'à ce que la crépine se trouve à 5 pi du fond. La crépine doit également se trouver à 10 pi sous la surface de l'eau lorsque la pompe est en fonction pour éviter qu'elle n'aspire de l'air. Poser un dispositif d'étanchéité de puits.

Installation d'une pointe filtrante (Figure 8)

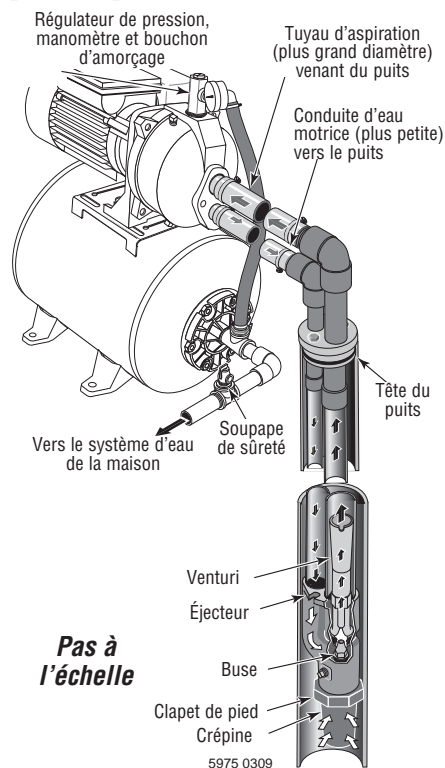
- 3 ° Foncer le puits à l'aide des accouplements d'enfoncement et du couvercle de tuyau d'enfoncement. Les raccords d'enfoncement sont filetés sur toute leur longueur afin que les tuyaux puissent être mis bout à bout. Les chocs de fonçage sont ainsi encaissés par le tuyau et non par les filets. Les raccords ordinaires vendus dans les quincailleries ne sont pas filetés sur toute leur longueur et peuvent se briser sous la force d'un impact. Les raccords d'enfoncement sont également plus souples que les raccords de plomberie ordinaires, ce qui facilite le fonçage.
- 4 ° Monter la pompe aussi près que possible du puits.
- 5 ° Une ou deux pointes filtrantes supplémentaires peuvent devoir être raccordées au tuyau d'aspiration si le débit d'eau est insuffisant.

Tous les types d'installation pour puits peu profond

- 6 ° Poser un té d'amorçage, un bouchon d'amorçage et un tuyau d'aspiration sur la pompe (voir figures 7 et 8). Raccorder le tuyau provenant du puits à l'orifice d'aspiration de la pompe en utilisant le moins de raccords possible, en particulier des coudes. Les raccords ont pour effet d'accroître la friction dans le tuyau.
 - Le diamètre du tuyau d'aspiration doit être égal ou supérieur à celui de l'orifice d'aspiration de la pompe (installer un clapet de non-retour – voir les figures 7 et 8).
 - Le tuyau doit être soutenu de façon à ce qu'il ne soit pas courbé, n'exerce aucune contrainte sur le corps de la pompe et incliné légèrement vers le haut du puits à la pompe (les points hauts peuvent occasionner la formation de poches d'air et obturer le tuyau).
 - Étanchéiser les joints du tuyau au moyen de ruban de Téflon™ ou une pâte pour raccords filetés à base de Téflon™. Les joints doivent être étanches à l'air et à l'eau. L'eau du puits ne sera pas pompée si le tuyau d'aspiration aspire de l'air.
- 7 ° Raccorder une extrémité de la tuyauterie au té de refoulement de la bride du réservoir et l'autre à la tuyauterie de la maison. Le diamètre de la tuyauterie de refoulement doit être égal ou supérieur à celui du té du réservoir. Poser une soupape de sûreté sur le tuyau de refoulement pour que l'écoulement de la pompe soit de 75 lb/po². Faire passer un tuyau de la soupape de sûreté jusqu'à un avaloir de sol ou tout autre dispositif qui permet de faire évacuer l'eau.

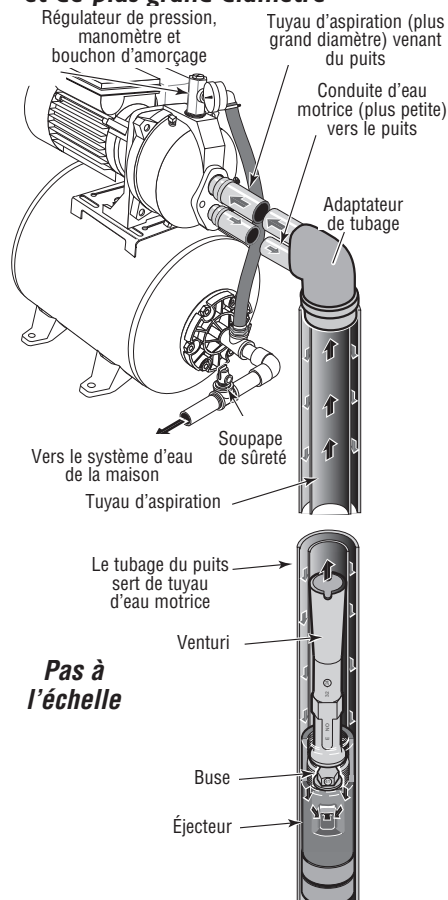
Le raccordement de la pompe neuve et du réservoir est maintenant terminé. Voir à la page 23 pour les connexions électriques.

pompe convertible



Pas à l'échelle

Figure 9 : Puits profond de 4 pouces et de plus grand diamètre



Pas à l'échelle

Figure 10 : Puits profond de 2 pouces (à un seul tuyau)

Puits de 4 pouces de diamètre ou plus grand (Figure 9)

- 1 ° Poser le régulateur de pression et le manomètre sur le corps de la pompe (voir la Figure 4, page 6).
- 2 ° Poser le nécessaire d'éjecteur. Voir la Figure 9. Suivre les instructions fournies avec le nécessaire de façon à assortir la buse et le venturi en fonction des conditions du puits.
- 3 ° Monter la pompe aussi près que possible du puits.
- 4 ° Brancher deux tuyaux (de 1 pouce pour l'eau motrice, de 1-1/4 pouce pour l'aspiration) sur l'éjecteur et abaisser l'éjecteur dans le puits jusqu'à ce qu'il soit à cinq pieds du fond du puits. Pour que la pompe n'aspire pas d'air, l'éjecteur doit également être à au moins 10 pieds sous le niveau de l'eau pendant que la pompe fonctionne.
- 5 ° Poser un joint sanitaire de puits et brancher la tuyauterie de l'éjecteur sur la pompe. Dans le cas de tuyaux en plastique souples, utiliser des raccords en acier là où les tuyaux traversent le joint d'étanchéité du puits pour éviter d'écraser les tuyaux lors du serrage du joint.
- 6 ° Supporter le tuyau de façon qu'il ne soit pas cintré afin qu'il n'exerce pas de contraintes sur le corps de la pompe; de plus, il doit être légèrement incliné vers le haut, du puits jusqu'à la pompe (les points hauts risquent de causer des poches et des bouchons d'air dans la pompe). Rendre étanches les raccords du tuyau avec du ruban Téflon™ ou une pâte pour raccords filetés à base de Téflon™. Les raccords doivent être étanches à l'air et à l'eau. Si le tuyau d'aspiration aspire de l'air, la pompe ne pompera pas l'eau du puits.
- 7 ° Raccorder une extrémité de la tuyauterie au té de refoulement de la bride du réservoir et l'autre à la tuyauterie de la maison. Le diamètre de la tuyauterie de refoulement doit être égal ou supérieur à celui du té du réservoir. Poser une soupape de sûreté sur le tuyau de refoulement pour que l'écoulement de la pompe soit de 75 lb/po². Faire passer un tuyau de la soupape de sûreté jusqu'à un avaloir de sol ou tout autre dispositif qui permet de faire évacuer l'eau.

Le branchement de cette pompe neuve à un seul tuyau est maintenant terminé. Voir à la page 23 pour les connexions électriques.

Puits de 2 pouces (Figure 10)

- 1 ° Poser le régulateur de pression sur le corps de la pompe (voir la Figure 4, Page 6).
- 2 ° Monter la pompe aussi près que possible du puits.
- 3 ° Poser le nécessaire d'éjecteur. La tuyauterie du puits et l'adaptateur de la tête du puits conformément aux instructions fournies avec l'éjecteur. Voir la Figure 10. Utiliser un tuyau de descente galvanisé muni de raccords usinés pour assurer un débit adéquat. Suivre les instructions fournies avec le nécessaire de façon à assortir la buse et le venturi aux conditions du puits.
- 4 ° Poser deux tuyaux (un de petit diamètre pour l'eau motrice, un de plus gros diamètre pour l'aspiration) entre le puits et la pompe. Supporter le tuyau de façon qu'il ne soit pas cintré afin qu'il n'exerce pas de contraintes sur le corps de la pompe; de plus, il doit être légèrement incliné vers le haut, du puits jusqu'à la pompe (les points hauts risquent de causer des poches et des bouchons d'air dans la pompe). Rendre étanches les raccords du tuyau avec du ruban Téflon™ ou une pâte pour raccords filetés à base de Téflon™. Les raccords doivent être étanches à l'air et à l'eau. Si le tuyau d'aspiration aspire de l'air, la pompe ne pompera pas l'eau du puits.
- 5 ° Raccorder une extrémité de la tuyauterie au té de refoulement de la bride du réservoir et l'autre à la tuyauterie de la maison. Le diamètre de la tuyauterie de refoulement doit être égal ou supérieur à celui du té du réservoir. Poser une soupape de sûreté sur le tuyau de refoulement pour que l'écoulement de la pompe soit de 75 lb/po². Faire passer un tuyau de la soupape de sûreté jusqu'à un avaloir de sol ou tout autre dispositif qui permet de faire évacuer l'eau.

Le branchement de cette pompe neuve à un seul tuyau est maintenant terminé. Voir à la page 23 pour les connexions électriques.

AVIS : Le nécessaire d'éjecteur fourni avec le présent ensemble ne peut être utilisé pour les puits de 2 po. Faire l'achat d'un éjecteur FPAP2-P2 distinct pour ces puits.

⚠ Débrancher le courant électrique avant d'intervenir sur la pompe, le moteur, le manostat ou le câblage.

⚠ ATTENTION Risque d'incendie. Ne jamais relier un moteur de 115 volts à une canalisation de 230 volts.

Réglage de la tension.

1. **Coupez le courant alimentant la pompe!**
2. Déterminer si la pompe est alimentée à 115 ou 230 volts.
3. Seule une personne qualifiée doit procéder au branchement des fils électriques.
4. Le commutateur de tension est réglé à l'usine à 115 volts. Ne pas modifier la sélection lorsqu'en 115 volts. Les moteurs 1/2 CH sont pré-réglés à l'usine à 115 volts.
5. Pour modifier la tension (le cas échéant), enlevez le couvercle de condensateur du moteur et glissez le commutateur complètement jusqu'à la bonne tension.
6. Reposez le couvercle.

Ne démarrez pas la pompe à cet instant!

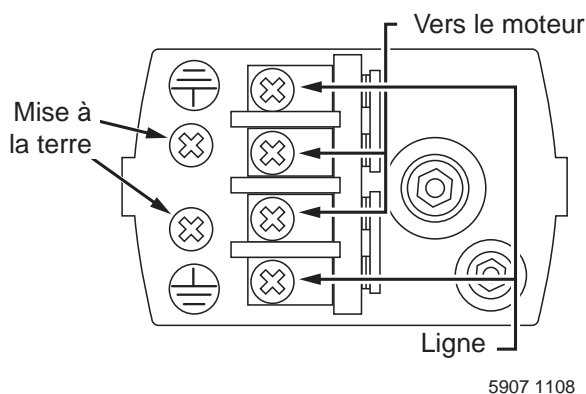


Figure 11 : Brancher les câbles d'alimentation sur le pressostat, tel qu'indiqué.

Branchement des fils électriques au pressostat.

1. Enlevez le couvercle du pressostat.
2. Branchez le courant d'alimentation et les fils de mise à la terre au pressostat comme indiqué.
3. Reposez le couvercle.

Ne démarrez pas la pompe à cet instant!

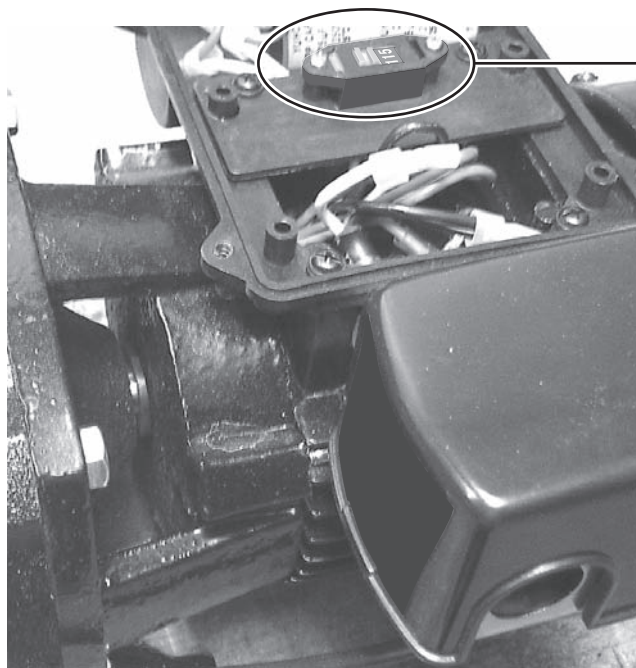


Figure 12A : Déposer le couvercle du boîtier de condensateur pour avoir accès au commutateur à glissière.

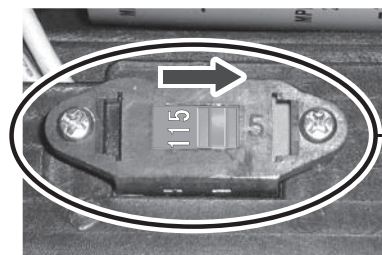


Figure 12B : La tension est réglée à 115 V (comme ci-dessus) en usine. Pour changer la tension, glissez le commutateur de façon à ce que le chiffre « 230 » soit visible (comme ci-dessous).

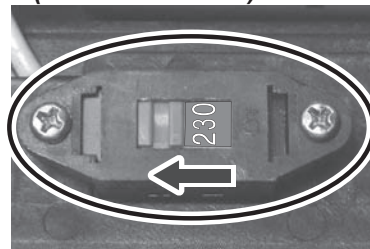


Figure 12C : Tension réglée à 230 V.

⚠ AVERTISSEMENT

Tension dangereuse. Risque de secousses électriques, de brûlures, voire la mort. Brancher le fil de terre avant de brancher les fils de tension. Utiliser des fils de calibre spécifié (y compris le fil de terre) dans le tableau de câblage. Dans la mesure du possible, brancher la pompe sur un circuit séparé, sur lequel aucun autre appareil ne sera branché.

⚠ AVERTISSEMENT

Risque d'explosion. Ne pas mettre à la terre sur une conduite de gaz.

Connexions des fils**⚠ AVERTISSEMENT**

Risque d'incendie. L'utilisation d'une mauvaise tension risque de causer un incendie ou d'endommager gravement le moteur et d'annuler la garantie. La tension d'alimentation doit correspondre à $\pm 10\%$ de la tension figurant sur la plaque signalétique du moteur.

AVIS : La façon dont le moteur est câblé prévoit l'utilisation de la pompe sur une alimentation de 115 V. Respecter la marche à suivre indiquée aux figures 12A, 12B et 12C pour modifier la tension d'alimentation du moteur, le cas échéant. Ne pas utiliser la pompe sur une alimentation de 230 V sans avoir apporté les modifications nécessaires aux réglages effectués en usine.

Installer la pompe, la mettre à la terre, la câbler et l'entretenir conformément au National Electrical Code (NEC) ou au Code canadien de l'électricité, selon le cas, et conformément à tous les codes et décrets en vigueur de la municipalité. Consulter l'inspecteur des bâtiments de la localité pour plus de renseignements sur les codes.

Méthodes de connexion :

- 1 ° Brancher tout d'abord le fil de mise à la terre, comme il est illustré à la Figure 11. Le fil de mise à la terre doit être un fil de cuivre massif d'un diamètre au moins aussi gros que le diamètre des fils de tension.
- 2 ° Il doit y avoir un raccordement en métal solide entre le manostat et le moteur pour une protection à la terre du moteur. Si le manostat n'est pas branché sur le moteur, brancher la vis verte de mise à la terre du manostat sur la vis verte de mise à la terre qui se trouve sous le couvercle du moteur. Utiliser un fil de cuivre massif ayant un diamètre au moins aussi gros que celui des fils de tension.
- 3 ° Brancher le fil de mise à la terre sur le fil de mise à la terre du tableau de distribution, sur un tuyau métallique d'eau enterré, sur le tubage d'un puits en métal ayant au moins 10 pieds (3 mètres) de long, ou sur une électrode de mise à la terre que fournira la compagnie d'électricité.
- 4 ° Brancher les fils de tension sur le manostat, comme il est illustré à la Figure 11.

Le câblage de la pompe est maintenant terminé.

Se reporter aux pages 25 et 26 pour les préparations avant le démarrage.

Tableau de câblage - Câbles et diamètres des fusibles recommandés

Modèle	Puissance du moteur en ch	Tension	Ampérage indiqué sur la plaque signalétique	fusible Intensité en ampères	Distance en pieds entre le moteur et le courant d'alimentation			
					0 - 100	101 - 200	201 - 300	301 - 400
					diamètre du fil -calibre AWG (mm ²)			
220515H	1/2	115/230	8.5/4.2	15	14/14 (2/2)	12/14 (3/2)	10/14 (5.5/2)	8/14 (8.4/2)
320515H	1/2	115/230	7.0/3.5	15	14/14 (2/2)	12/14 (3/2)	10/14 (5.5/2)	10/14 (5.5/2)

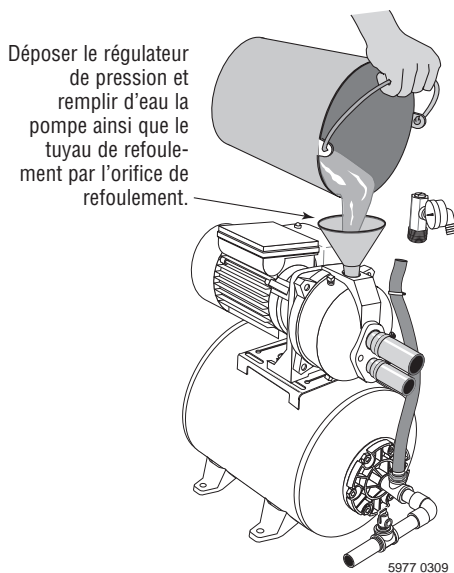


Figure 13 : Remplissage de la pompe

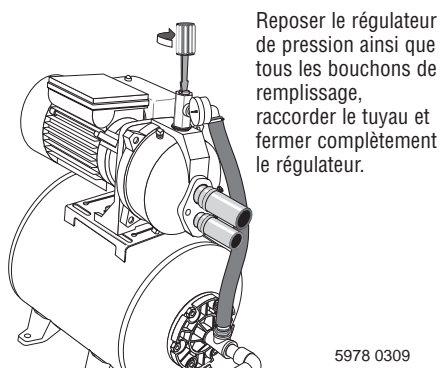


Figure 14 : Amorçage de la pompe

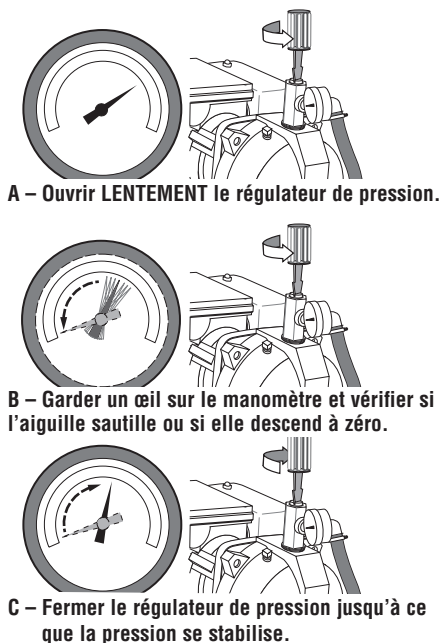


Figure 15 : Régler la vanne de réglage

⚠ ATTENTION Ne jamais faire fonctionner la pompe à sec. Faire fonctionner la pompe sans eau risque de causer une surchauffe de la pompe, d'endommager les joints et, possiblement, causer des brûlures aux personnes qui manipuleront la pompe. Faire le plein d'eau de la pompe avant de la démarrer.

⚠ AVERTISSEMENT Ne jamais faire fonctionner la pompe contre un refoulement fermé. Sinon l'eau risque de bouillir à l'intérieur de la pompe, une accumulation dangereuse de pression risque de se produire, un danger d'explosion risque de s'ensuivre et les personnes qui manipuleront la pompe pourront peut-être être ébouillantées.

- 1 ° Ouvrir le régulateur de pression au maximum et le déposer. Remplir d'eau la pompe ainsi que tous les tuyaux qui vont de la pompe jusqu'au puits. S'assurer que les tuyaux qui se trouvent dans le puits sont entièrement remplis. Si un té d'amorçage a été posé sur le tuyau d'aspiration, déposer le bouchon du té et faire le plein de la tuyauterie d'aspiration (voir la Figure 13).
- 2 ° Reposer tous les bouchons de remplissage et fermer complètement le régulateur de pression (voir la Figure 14).
- 3 ° Établir le courant! Démarrer la pompe et surveiller le manomètre. Au fur et à mesure que la pompe s'amorce, la pression doit rapidement monter jusqu'à environ 50 lb/po².
- 4 ° Après 2 ou 3 minutes, le manomètre doit indiquer la pression. Sinon, arrêter la pompe, déposer les bouchons de remplissage, rouvrir la vanne de réglage et refaire le plein de la pompe et des tuyauteries. Il sera peut-être nécessaire de répéter cette opération deux ou trois fois de façon à chasser tout l'air pouvant être emprisonné dans les tuyauteries. Ne pas oublier de refermer la vanne de réglage avant de redémarrer la pompe.
- 5 ° Au moment où la pression s'est accumulée et s'est stabilisée à environ 50 lb/po², ouvrir lentement la vanne de réglage (voir la figure 15) et laisser la pression chuter jusqu'à ce que l'aiguille du manomètre commence à sautiller ou descende à zéro. Fermer la vanne jusqu'à ce que l'aiguille cesse de sautiller ou montre une pression stable (voir la figure 15). La pompe fonctionne maintenant à son point le plus efficace.
- 6 ° Après que la pression se sera accumulée dans le système et que la pompe se sera arrêtée, vérifier le fonctionnement du manocapteur en ouvrant un ou deux robinets du système; laisser couler suffisamment d'eau pour dissiper la pression jusqu'à ce que la pompe redémarre. La pompe doit redémarrer lorsque la pression chute à 30 lb/po² et s'arrêter lorsque la pression atteint 50 lb/po². Faire fonctionner la pompe pendant un ou deux cycles complets pour confirmer son bon fonctionnement. Ceci permettra également de nettoyer le système de toute la saleté et de tout le tartre qui se seront détachés pendant l'installation.

Félicitations pour une installation réussie.

Si l'installation n'est pas réussie, se reporter à la Section Diagnostic des pannes ou appeler notre personnel technique du service à la clientèle.

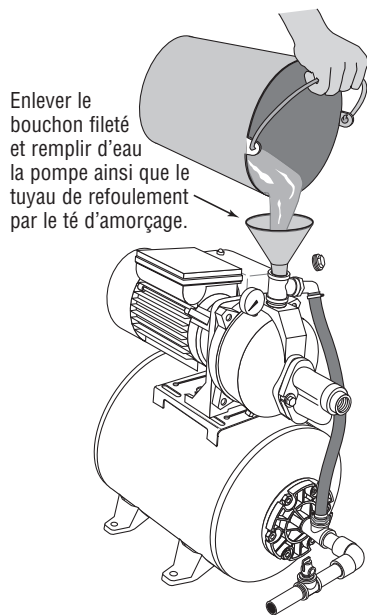


Figure 16 : Remplir la pompe par le té d'amorçage.

▲ ATTENTION

Ne jamais faire fonctionner la pompe à sec. Faire fonctionner la pompe sans eau risque de causer une surchauffe de la pompe, d'endommager les joints et, possiblement, causer des brûlures aux personnes qui manipuleront la pompe. Faire le plein d'eau de la pompe avant de la démarrer.

▲ AVERTISSEMENT

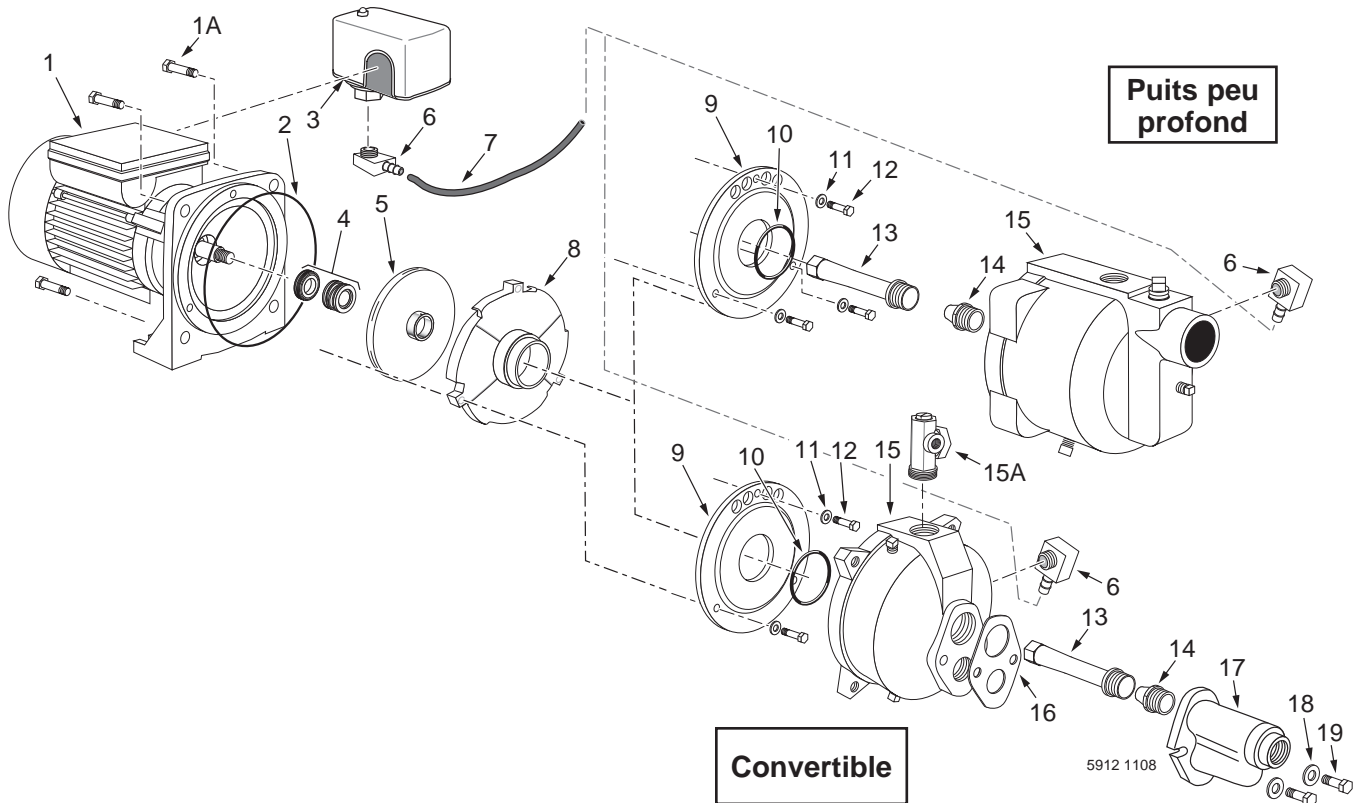
Ne jamais faire fonctionner la pompe contre un refoulement fermé. Sinon l'eau risque de bouillir à l'intérieur de la pompe, une accumulation dangereuse de pression risque de se produire, un danger d'explosion risque de s'ensuivre et les personnes qui manipuleront la pompe pourront peut-être être ébouillantées.

- 1 ° Déposer le bouchon d'amorçage de la pompe, puis faire le plein de la pompe, de toutes les tuyauteries entre la pompe et le puits et s'assurer que toutes les tuyauteries du puits sont pleines d'eau (voir la Figure 16). Si un té d'amorçage a été posé sur le tuyau d'aspiration, déposer le bouchon du té et faire le plein de la tuyauterie d'aspiration.
- 2 ° Reposer tous les bouchons filetés.
- 3 ° Établir le contact! Démarrer la pompe. La pompe doit pomper l'eau dans les deux ou trois minutes qui suivent.
- 4 ° Si la pompe ne pompe pas d'eau dans les 2 ou 3 minutes qui suivent, l'arrêter et déposer les bouchons de remplissage. Faire le plein de la pompe et des tuyauteries. Il faudra peut-être répéter cette opération deux ou trois fois de façon à chasser tout l'air pouvant être emprisonné dans la tuyauterie.
- 5 ° Après que la pression se sera accumulée dans le système et que la pompe se sera arrêtée, vérifier le fonctionnement du manocontacteur en ouvrant un ou deux robinets du système; laisser couler suffisamment d'eau pour dissiper la pression jusqu'à ce que la pompe redémarre. La pompe doit redémarrer lorsque la pression chute à 30 lb/po² et s'arrêter lorsque la pression atteint 50 lb/po². Faire fonctionner la pompe pendant un ou deux cycles complets pour confirmer son bon fonctionnement. Ceci permettra également de nettoyer le système de toute la saleté et de tout le tartre qui se seront détachés pendant l'installation.

Félicitations pour une installation réussie.

Si l'installation n'est pas réussie, se reporter à la Section Diagnostic des pannes ou appeler notre personnel technique du service à la clientèle.

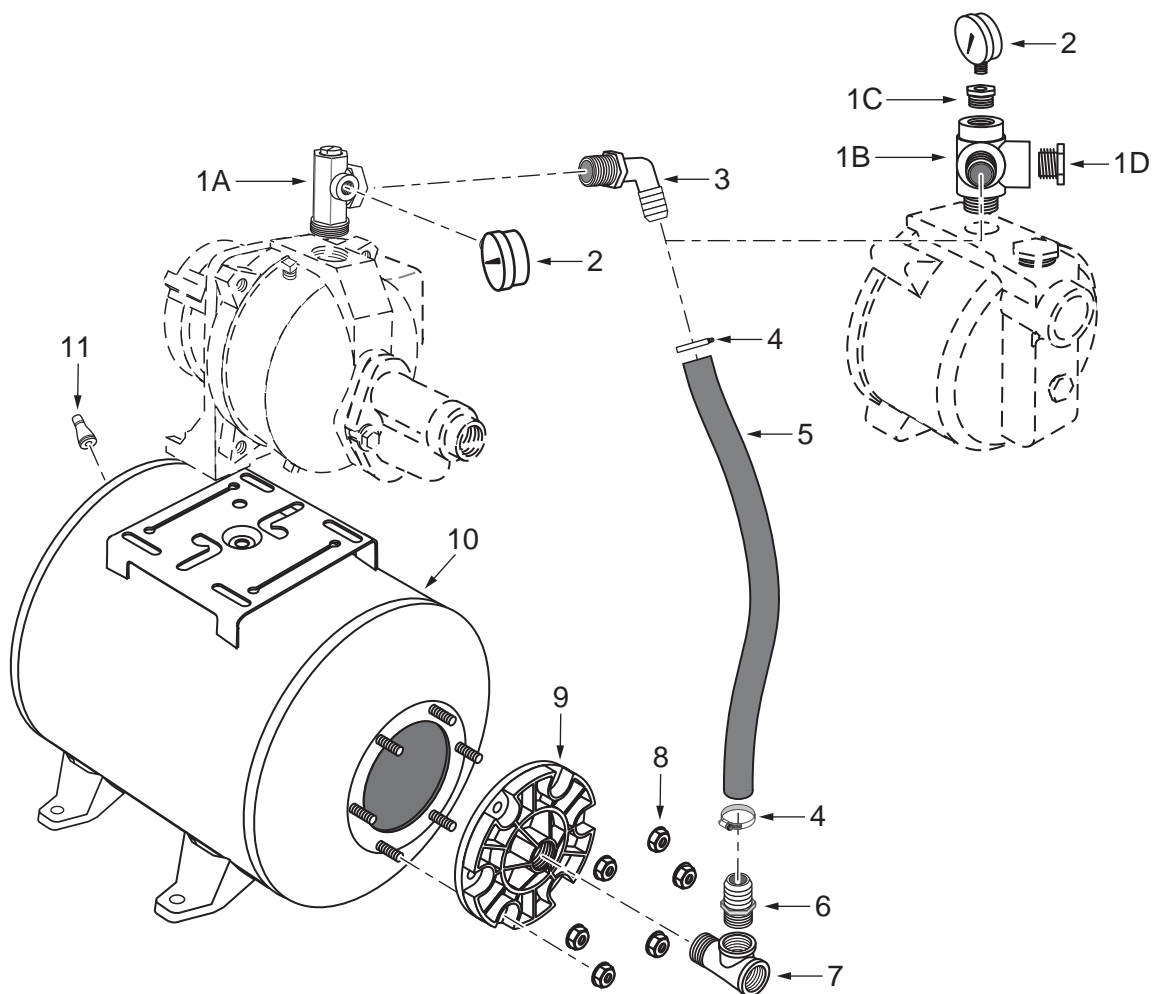
Symptômes	Causes probables	Remèdes
Le moteur ne tourne pas	Le sectionneur est ouvert	S'assurer que le sectionneur est enclenché.
	Le fusible est sauté ou le disjoncteur est déclenché	Remplacer le fusible ou réenclencher le disjoncteur.
	L'interrupteur de démarrage est défectueux	COUPER L'ARRIVÉE DE COURANT; remplacer l'interrupteur de démarrage.
	Les fils côté moteur sont desserrés, débranchés ou mal branchés	Se reporter aux instructions sur le câblage (page 24). COUPER L'ARRIVÉE DE COURANT; vérifier tout le câblage et le resserrer. ⚠ AVERTISSEMENT La tension du condensateur peut être dangereuse. Pour décharger le condensateur du moteur, tenir un tournevis à manche isolé PAR LE MANCHE et mettre en court-circuit les bornes du condensateur. Ne pas toucher la lame métallique du tournevis ni les bornes du condensateur. En cas de doute, consulter un électricien qualifié.
	Les contacts du pressostat sont sales	COUPER L'ARRIVÉE DE COURANT, puis nettoyer les contacts avec un morceau de toile émeri ou une lame à ongles.
Le moteur chauffe et le dispositif de protection contre les surcharges se déclenche	Le moteur est mal câblé	Se reporter aux instructions concernant le câblage.
	La tension est trop faible	S'adresser à la compagnie d'électricité. Poser des câbles plus gros si le diamètre des fils est trop petit (voir Électricité/Tableau de câblage).
	La pompe fonctionne trop fréquemment.	Se reporter ci-dessous si la pompe démarre trop fréquemment.
Le moteur fonctionne mais la pompe ne débite pas d'eau * * AVIS : Arrêter la pompe, puis vérifier l'amorçage avant de rechercher toute autre cause. Dévisser le bouchon d'amorçage et voir si le trou d'amorçage contient de l'eau.	Dans une installation nouvelle, la pompe ne s'est pas amorcée à cause : 1. D'un mauvais amorçage 2. De prises d'air 3. De fuites du clapet de non retour ou du clapet de pied.	Dans le cas d'une installation neuve : 1. Réamorcer la pompe conformément aux instructions. 2. Vérifier tous les raccords de la conduite d'aspiration, du régulateur de volume d'air et de l'éjecteur. 3. Remplacer le clapet de pied ou le clapet de non retour.
	La pompe s'est désamorcée : 1. À cause de prises d'air 2. Parce que le niveau d'eau est plus bas que la prise d'eau du tuyau d'aspiration.	Dans le cas d'une installation déjà en utilisation : 1. Vérifier tous les raccords de la conduite d'aspiration et le joint de l'arbre. 2. Abaisser la conduite d'aspiration dans l'eau et réamorcer la pompe. Si, dans le puits, la surface libre jusqu'à l'eau dépasse 7,60 mètres (25 pieds), utiliser une pompe pour puits profond.
	Le clapet de pied ou la crépine sont bouchés	Nettoyer le clapet de pied ou la crépine.
	L'éjecteur ou l'impulseur sont bouchés	Nettoyer l'éjecteur ou l'impulseur.
	Le clapet de non retour ou le clapet de pied sont grippés en position fermée	Remplacer le clapet de non retour ou le clapet de pied.
	Les tuyauteries sont gelées.	Dégeler les tuyauteries. Enterrer les tuyauteries sous le point de gélivation. Chauffer la fosse ou le bâtiment où se trouve la pompe.
	Le clapet de pied et/ou la trémie sont enfouis dans le sable ou la boue	Relever le clapet de pied et/ou la crépine plus haut que le fond de la source d'eau. Nettoyer le clapet de pied et la crépine.
	Dans le cas d'un puits peu profond, le niveau de l'eau est trop bas pour que la pompe débite	Utiliser un éjecteur pour puits profonds si la surface libre jusqu'à l'eau dans ce puits est supérieure à 7,60 mètres (25 pieds).
	La pompe ne débite pas à pleine capacité. (Vérifier aussi les 3 points immédiatement précités)	Le niveau de l'eau du puits est plus bas que celui estimé
	La tuyauterie en acier (le cas échéant) est corrodée ou bouchée par la chaux, ce qui cause un frottement excessif	Dans la mesure du possible, remplacer par des tuyaux en plastique, sinon poser des tuyaux en acier neufs.
	Le diamètre des tuyaux est trop petit	Utiliser des tuyaux de plus grand diamètre.
La pompe débite mais ne s'arrête pas ou bien elle fonctionne trop fréquemment	Le pressostat est déréglé ou bien ses contacts sont soudés ensemble	COUPER L'ARRIVÉE DE COURANT; régler le pressostat ou le remplacer.
	Les robinets du système sont restés ouverts	Les fermer.
	Le venturi, la buse ou l'impulseur sont bouchés	Nettoyer le venturi, la buse ou l'impulseur.
	Le réservoir sous pression standard est saturé d'eau et n'a plus de coussin d'air	Penser à l'idée d'utiliser une pompe à éjecteur pour puits profonds. Vider le réservoir jusqu'à l'orifice du régulateur de volume d'air. Vérifier le régulateur de volume d'air à la recherche de défauts. S'assurer que les raccords n'aspirent pas d'air.
	Les tuyaux fuient	Vérifier les raccords.
	Le clapet de pied fuit	Remplacer le clapet de pied.
	Le pressostat est déréglé	Régler ou remplacer le pressostat.
	La charge d'air dans le réservoir préchargé est trop basse	COUPER L'ARRIVÉE DE COURANT et ouvrir les robinets du système jusqu'à ce que toute la pression soit dissipée. À l'aide d'un manomètre pour pneus, vérifier la pression d'air dans le réservoir par la tige de la valve qui se trouve sur le réservoir. Si la pression est inférieure au réglage de fonctionnement du pressostat entre (206 et 344,7 kPa [30 et 50 lb/po ²]), pomper de l'air dans le réservoir à partir d'une source extérieure jusqu'à ce que la pression d'air soit de 2 lb/po ² inférieure au réglage de déclenchement du pressostat. S'assurer que la valve ne fuit pas (l'enduire d'une solution savonneuse); remplacer l'obus de la valve au besoin.
L'air jaillit des robinets du système	La pompe s'amorce	Lorsque la pompe sera amorcée, tout l'air sera chassé.
	Prise d'air côté aspiration de la pompe	Le tuyau d'aspiration aspire de l'air. Vérifier tous les raccords. S'assurer qu'ils sont bien serrés.
	Le puits est gazeux	S'adresser à l'usine pour la possibilité d'installer un manchon dans le puits.
	Surpompage intermittent du puits. (L'eau est pompée plus bas que le clapet de pied.)	Dans la mesure du possible, abaisser le clapet de pied. Sinon, limiter le refoulement de la pompe.



Réf.	Désignation des pièces	Qté.	Réf.	Désignation des pièces	Qté.	Réf.	Désignation des pièces	Qté.
1	Moteur/Plaque d'étanchéité	1	7	Tuyau souple	1	14	Buse	1
1A	Vis de la bride du moteur	4	8	Diffuseur	1	15	Corps de la pompe	1
2	Joint torique de la plaque d'étanchéité	1	9	Plaque du diffuseur	1	15A	Régulateur de pression	1
3	Pressostat	1	10	Joint torique de la plaque du diffuseur	1	16	Joint d'étanchéité de l'éjecteur	1
4	Joint d'arbre	1	11	Rondelle de la plaque du diffuseur	3	17	Corps de l'éjecteur	1
5	Impulseur	1	12	Vis de la plaque du diffuseur	3	18	Rondelle	2
6	Coude cannelé de 1/4 po NPT x 1/4 po	2	13	Venturi	1	19	Vis à tête hexagonale de l'éjecteur	2

Modèle et puissance en ch de la pompe		
Désignation des pièces	Pompes (pour puits profonds) Convertibles	pompes pour puits peu profonds
	320515H 1/2 ch	220515H 1/2 ch
Trousse de joints d'étanchéité et de joints toriques	RPK-35	RPK-35
Trousse de réparation	RPK-205DW	RPK-205SW
Trousse d'éjecteurs	FP520-100	-
Corps de la pompe	R176-72	R176-73
Pressostat (30-50)	TC2151	TC2151
Tuyau du pressostat	FPASFK	FPASFK
Régulateur de pression	FPAPR	-
Les trousse comprennent :		
Trousse de joints d'étanchéité et de joints toriques :	Réf. 2, 4, 10, 16	
Trousse de réparation (puits peu profonds)	Réf. 1A, 2, 4, 5, 8, 9, 11(3), 12(3), 13, 14	
Trousse de réparation (convertible)	Réf. 1A, 2, 4, 5, 8, 9, 10, 11, 12	
Trousse d'éjecteurs (convertible)	Réf. 6(2), 7, 13(5), 14(2), 16, 17, 18(2), 19(2)	
Corps de la pompe (convertible)	Réf. 2, 6, 10, 15, 16, bouchon de 1/4 po NPT(2), bouchon de 1/2 po NPT	
Corps de la pompe (puits peu profonds)	Réf. 2, 6, 13, 14, 15, bouchon de 1/4 po NPT(2), bouchon de 1/2 po NPT	
Pressostat	Réf. 3	
Trousse de tuyau du pressostat	Réf. 6(3), 7	

Pour les services des pièces ou d'assistance, appeler le service à la clientèle Simer en composant le 1(800)468-7867



Réf.	Désignation des pièces	Qté	320515H	220515H
1A	Régulateur de pression	1	FPAPR	-
1B	Croix de refoulement	1	-	U78-961P
1C	Bague de réduction de 1/2 po NPT x 1/8 po NPT	1	-	U78-107PT
1D	Bouchon fileté de 1 po NPT	1	-	U78-1008P
•	Bouchon fileté de 1/8 po NPT	1	-	WC78-41T
2	Manomètre	1	TC2104	TC2104
3	Coude cannelé 90° de 3/4 po NPT x 1 po	1	U78-770P	-
4	Collier de serrage de 1 po	2	U19-55SS	U19-55SS
5	Tuyau de 1 po	1	U74-37R	U74-37H
6	Adaptateur pour raccord cannelé de 3/4 po NPT x 1 po	1	24206A004	24206A004
7	Té mâle-femelle de 3/4 po NPT x 3/4 po NPT x 3/4 po NPT	1	05002A001	05002A001
8	Écrous à bride 5/16 po - 18	6	U36-202BT	U36-202BT
9	Bride du réservoir	1	U31-442P	U31-442P
•	Diaphragme du réservoir	1	U20-7	U20-7
10	Corps du réservoir	1	*	*
11	Reniflard avec chapeau	1	U212-160	U212-160

* Si le corps du réservoir devient défectueux défaut, remplacer le réservoir en entier (numéro de pièce : RT6H).

• Pas montré

Instrucciones importantes de seguridad

Guarde estas instrucciones - Este manual contiene instrucciones importantes que se deben seguir durante la instalación y el mantenimiento del bombas de sumidero.

⚠ Este es un símbolo de alerta sobre la seguridad. Cuando vea este símbolo en su bomba o en este manual, busque para ver si hay alguna de las siguientes palabras de señal y esté alerta a la posibilidad de lesiones personales.

⚠ PELIGRO indica un riesgo que, de no evitarse, *provocará* la muerte o lesiones de gravedad.

⚠ ADVERTENCIA indica un riesgo que, de no evitarse, *podría provocar* la muerte o lesiones de gravedad.

⚠ PRECAUCIÓN indica un riesgo que, de no evitarse, *podría provocar* lesiones leves o moderadas.

AVISO hace referencia a una práctica no relacionada con una lesión física.

Lea y siga cuidadosamente todas las instrucciones de seguridad en este manual y en la bomba.

Mantenga las etiquetas de seguridad en buenas condiciones.

Reemplace las etiquetas de seguridad faltantes o dañadas.

Seguridad eléctrica

⚠ ADVERTENCIA El voltaje del capacitor puede ser peligroso.

Para descargar el capacitor del motor, tome un desatornillador con mango aislado **POR EL MANGO** y ponga en corto las terminales del capacitor. No toque la superficie de metal del desatornillador ni las terminales del capacitor. Si tiene alguna duda, consulte a un electricista calificado.

Seguridad general

⚠ PRECAUCIÓN No toque un motor en operación. Los motores modernos están diseñados para operar a temperaturas altas. Para evitar quemaduras al realizar el servicio a una bomba, déjela enfriar por 20 minutos después de apagarla.

No permita que la bomba o cualquier componente del sistema se congele. Hacerlo invalidará la garantía.

Utilice esta bomba sólo para agua.

Inspeccione la bomba y los componentes del sistema periódicamente.

Utilice gafas de seguridad durante todo el tiempo mientras trabaje en la bomba.

El área de trabajo se debe mantener limpia, ordenada y con iluminación adecuada; guarde las herramientas y el equipo que no utilice en el lugar apropiado.

Mantenga a los visitantes a una distancia segura de las áreas de trabajo.

⚠ ADVERTENCIA El cuerpo de la bomba puede explotar si se utiliza como una bomba propulsora a menos que se instale una válvula de alivio que sea capaz de pasar todo el flujo de la bomba a 75 psi.

⚠ ADVERTENCIA



Voltaje peligroso. Puede ocasionar conmoción, quemaduras e incluso la muerte.

Conecte la bomba a tierra antes de conectarla a la alimentación eléctrica. Desconecte la alimentación de energía antes de trabajar en la bomba, el motor o el tanque.

- ⚠** Conecte el motor al voltaje correcto. Vea la sección "Electricidad" en este manual y la placa del motor.
- ⚠** Conecte el motor a tierra antes de conectarlo a la alimentación de energía.
- ⚠** Cumpla con las indicaciones del Código Nacional Eléctrico, el de Canadá y los códigos locales para toda la conexión eléctrica.
- ⚠** Siga las instrucciones de conexión eléctrica en este manual al conectar el motor a las líneas de energía eléctrica.



⚠ ADVERTENCIA

Presión peligrosa!

Instale una válvula de alivio de presión en la tubería de descarga.

Liberar toda la presión en el sistema antes de trabajar en alguno de los componentes.

Guarde el recibo original para cualquier referencia posterior

Garantía limitada

SIMER le garantiza al comprador consumidor original (el "Comprador" o "Usted") de sus productos, que éstos estarán libres de defectos en materiales y en mano de obra por un período de doce (12) meses, a partir de la fecha de la compra original del consumidor.

Si dentro de los doce (12) meses a partir de la fecha de la compra inicial del consumidor, se comprueba que cualquiera de esos productos es defectuoso, éste será reparado o reemplazado, a la discreción de SIMER, sujeto a los términos y a las condiciones indicadas a continuación. Se necesitará su recibo de compra original y la etiqueta de información sobre la garantía del producto, para determinar la admisibilidad de la garantía. La admisibilidad se basa en la fecha de compra del producto original - no en la fecha de reemplazo bajo la garantía. La garantía está limitada a la reparación o el reemplazo del producto solamente - El comprador pagará todos los costos de remoción, instalación, mano de obra y envío necesarios, así como todo costo adicional asociado.

Si necesita piezas o resolución de problemas, NO regrese el producto a la tienda minorista. Llame el Servicio a la Clientela de SIMER al 1-800-468-7867.

Las reclamaciones bajo esta garantía se deberán realizar mediante la devolución del producto (excepto en el caso de las bombas cloacales, ver a continuación) a la tienda minorista en donde se haya adquirido, inmediatamente después de haber descubierto un supuesto defecto. SIMER entonces tomará la medida correctiva tan pronto como sea razonablemente posible. No se aceptarán solicitudes de servicio, si se reciben más de 30 días después del vencimiento de esta garantía.

Esta garantía no es válida para productos que se utilicen para fines comerciales o de alquiler.

Bombas cloacales

NO devuelva una bomba cloacal (que se haya instalado) a su tienda minorista. Comuníquese con el Departamento de Atención al Cliente de SIMER. Las bombas cloacales que hayan estado en servicio y se hayan removido pueden representar un peligro de contaminación.

Si su bomba cloacal ha fallado:

- Use guantes de caucho cuando manipule la bomba;
- Para los fines de la garantía, devuelva la etiqueta del cordón de la bomba y el recibo de compra original a la tienda minorista;
- Descarte la bomba cumpliendo con todas las normas locales que correspondan para su eliminación.

Excepciones para la garantía limitada de doce (12) meses

Producto	Período de garantía
BW85P, CM10, CMK, M40, M40P	90 días
2300, 2310, 2330, 2520ULST, 2943, 2955, 2956, 2957, 2960, 5023SS, A5500	2 años
Bombas de pozo sumergibles de 4" , 2945, 2958, 2975PC, 2985, 3075SS, 3983, 3984	3 años
Tanque precargado del sistema de agua, 3985, 3986, 3988, 3989	5 años
3963, 3995, 3997	De por vida

Términos y condiciones generales

Usted deberá pagar por todos los gastos de mano de obra y de envío necesarios para reemplazar el producto cubierto por esta garantía. Esta garantía no se aplicará en las siguientes situaciones: (1) caso de fuerza mayor (2) productos que, a sólo juicio de SIMER hayan sido sometidos a negligencia, abuso, accidente, mala aplicación, manejo indebido o alteraciones; (3) fallas debido a instalación, operación, mantenimiento o almacenamiento inadecuados; (4) aplicaciones, usos o servicios que no sean normales o aprobados; (5) fallas provocadas por corrosión, herrumbre u otros materiales extraños en el sistema, o una operación a presiones que excedan los máximos recomendados.

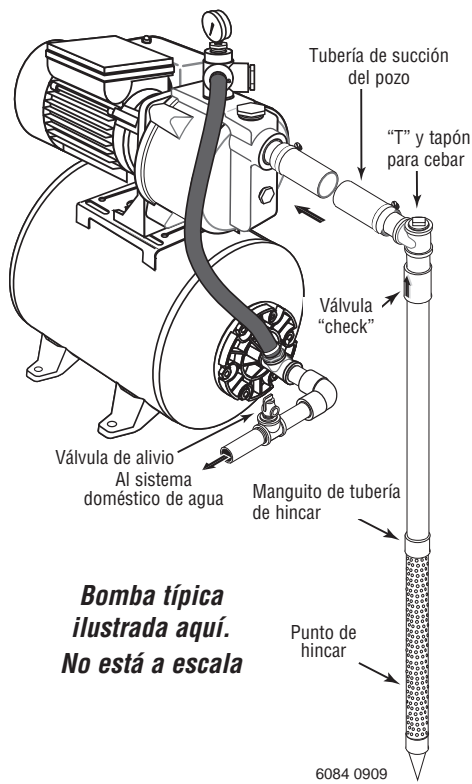
Esta garantía establece la única obligación de SIMER y el recurso exclusivo del Comprador con respecto a los productos defectuosos.

SIMER NO SE HARÁ RESPONSABLE DE NINGÚN DAÑO CONSECUENTE, INCIDENTAL O CONTINGENTE.

LAS GARANTÍAS QUE ANTECEDEN SON EXCLUSIVAS Y REEMPLAZAN TODA OTRA GARANTÍA EXPLÍCITA O IMPLÍCITA, INCLUYENDO PERO SIN LIMITARSE A LAS GARANTÍAS IMPLÍCITAS DE COMERCIABILIDAD E IDONEIDAD PARA UN FIN ESPECÍFICO. LAS GARANTÍAS QUE ANTECEDEN NO SE EXTENDERÁN MÁS ALLÁ DE LA DURACIÓN PROVISTA EN LA PRESENTE.

Algunos Estados no permiten la exclusión o limitación de daños incidentales o consecuentes o de limitaciones de tiempo sobre garantías implícitas, de modo que es posible que las limitaciones o exclusiones que preceden no correspondan en su caso. Esta garantía le otorga derechos legales específicos y es posible que Usted también tenga otros derechos que pueden variar de un Estado al otro.

SIMER • 293 Wright Street • Delavan, WI U.S.A. 53115
Teléfono: 1-800-468-7867 • Fax: 1-800-390-5351 • Sitio Web: simerpump.com



**Bomba típica
ilustrada aquí.
No está a escala**

Figura 1: Instalación del punto de hincado

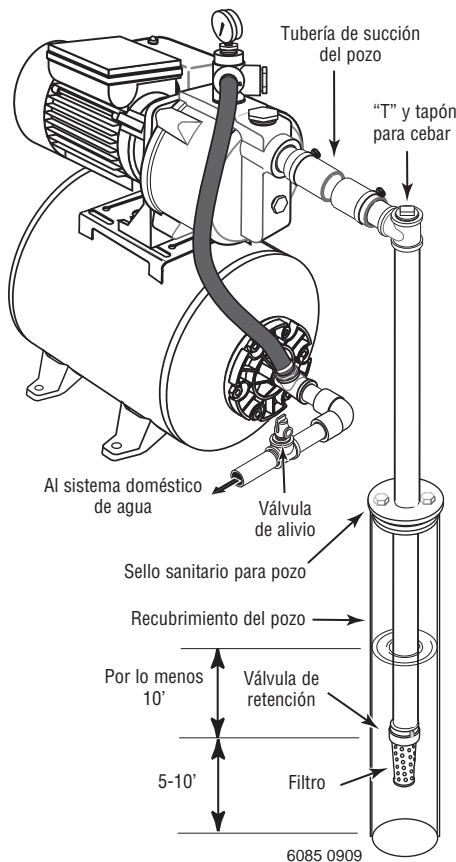


Figura 2: Instalación de pozo recubierto

Reemplazo de una bomba antigua

⚠ ADVERTENCIA Voltaje peligroso. Desconecte la alimentación de energía de la bomba antes de trabajar en ella o en el motor.

- Paso 1. Drene y retire la bomba vieja. Revise las condiciones de la tubería, que no tenga óxido, sarro, etc. y reemplácela si es necesario.
- Paso 2. Ajuste la altura del montaje de la bomba para que las conexiones de la tubería no ejerzan una tensión sobre el cuerpo de la bomba. Ponga soportes a la tubería para que el cuerpo de la bomba no soporte el peso de la tubería o de las conexiones.
- Paso 3. Haga correr la tubería desde el té de descarga en la brida del tanque hasta la tubería de la casa. La tubería de descarga debe ser al menos tan grande como el té del tanque. Instale una válvula de descarga en la tubería de descarga, capaz de pasar todo el flujo de la bomba a 75 psi. Haga correr una tubería desde la válvula de descarga al drenaje en el piso, o hasta otro lugar conveniente para evacuar el agua.

Usted ha terminado de instalar la plomería del pozo para su nueva bomba. Vaya a la página 37 para obtener información sobre las conexiones eléctricas.

Instalación del punto filtrante (Figura 1)

- Paso 1. Hínque el pozo usando "manguitos de tubería de hincar" y un "casquete de hincar". Los "accesorios de hincar" vienen completamente fileteados y permiten que los extremos de la tubería se empalmen entre sí, de manera que la fuerza de hincar del mazo se transmita por la tubería y no por las roscas. Los accesorios comunes que se encuentran en las ferreterías no vienen completamente fileteados y se pueden desplomar bajo el impacto. Además, los "accesorios de hincar" son más lisos que los accesorios comunes de plomería, lo cual facilita la penetración en el suelo.
- Paso 2. Coloque la bomba lo más cerca posible del pozo.
- Paso 3. Utilice el menor número de conexiones posible (especialmente codos) al conectar la tubería desde el punto del pozo al orificio de succión de la bomba. La tubería de succión debe ser por lo menos del mismo tamaño que el orificio de succión en la bomba (incluir una válvula de retención si la bomba no viene provista de una - ver la Figura 1). Soporte la tubería para que no haya inclinaciones verticales o hundimientos en ella a fin de que no ejerza tensión sobre el cuerpo de la bomba y con el propósito de que no se incline ligeramente hacia arriba desde el pozo hacia la bomba (los puntos altos pueden ocasionar que se formen bolsas de aire que pueden bloquear la bomba). Sellar las juntas de la tubería fileteada con cinta de Teflón^{MC} o con un compuesto para juntas de tubería a base de Teflón^{MC}, aprobado para usar en PVC. Las juntas deben ser a prueba de agua y estar herméticamente cerradas. Si la tubería de succión pudiera succionar aire, la bomba no podría sacar agua del pozo. Si un punto de pozo no proporciona suficiente agua, considere la posibilidad de conectar dos o tres puntos de pozo a una tubería de succión.

Usted ha terminado de instalar la plomería del pozo para su nueva bomba. Vaya a la página 37 para obtener información sobre las conexiones eléctricas.

¹ E. I. DuPont de Demours and Company Corporation, Delaware

Instalación de pozo recubierto con un recubrimiento de 2" o mas (Figura 2)

- Paso 1. Monte la bomba tan cerca del pozo como sea posible.
- Paso 2. Instale la válvula de retención, el filtro y la tubería del pozo (vea la Figura 2). Asegúrese que la válvula de retención funcione libremente.
- Paso 3. Baje la tubería hacia el pozo hasta que el filtro se encuentre a cinco pies sobre el fondo del pozo. También debe estar a por lo menos 10 pies debajo del nivel de agua del pozo cuando la bomba esté funcionando a fin de evitar que la bomba succione aire. Instale un sello sanitario para pozo.

Paso 4. Instale una "T" para cebar, tapón para cebar y la tubería de succión a la bomba (vea la Figura 2). Conecte la tubería del pozo al orificio de succión de la bomba; utilice el menor número de conexiones posible - especialmente codos - ya que las conexiones incrementan la fricción en la tubería (sin embargo, incluya una válvula de pie - ver la Figura 2). La tubería de succión debe ser por lo menos del mismo tamaño que el orificio de succión en la bomba. Soporte la tubería para que no haya inclinaciones verticales o hundimientos en ella a fin de que no ejerza tensión sobre el cuerpo de la bomba y con el propósito de que no se incline ligeramente hacia arriba desde el pozo hacia la bomba (los puntos altos pueden ocasionar que se formen bolsas de aire que pueden bloquear la bomba). Selle las juntas de la tubería de succión con cinta de Teflón™ o con un compuesto a base de Teflón™ especial para juntas de tuberías. Las juntas deben ser a prueba de agua y estar herméticamente cerradas. Si la tubería de succión pudiera succionar aire, la bomba no podrá sacar agua del pozo.

Usted ha terminado de instalar la plomería del pozo para su nueva bomba. Vaya a la página 37 para obtener información sobre las conexiones eléctricas.

Sellado de juntas de tubería

Utilice solamente cinta de Teflón™ o compuestos para enchufes a base de Teflón™ para todas las conexiones de rosca a la bomba. **No use compuestos de burlete para tuberías en bombas de plástico:** estos pueden reaccionar con los componentes de plástico de la bomba. Asegúrese de que todos los burletes en la tuberías de aspiración sean impermeables y herméticos. *Si la tubería de aspiración aspira aire, la bomba no podrá sacar agua del pozo.*

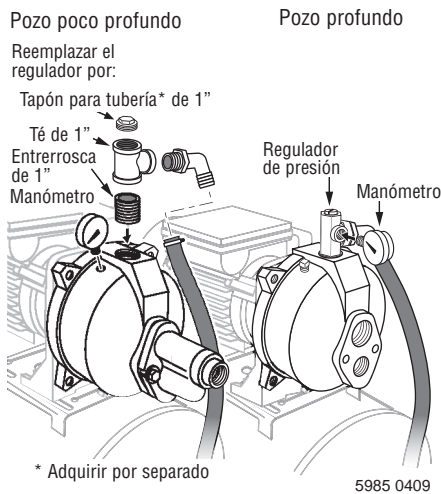


Figura 4 : Instalar un regulador de presión y un manómetro para pozo profundo. Instalar un té de cebar y un manómetro para pozo poco profundo.

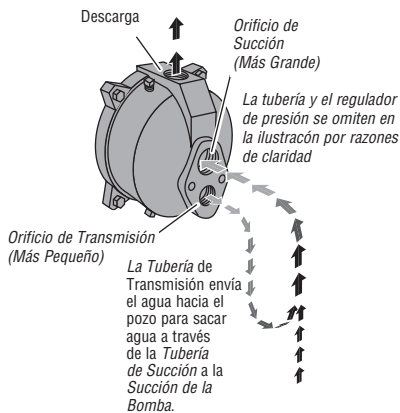


Figura 5 : Funciones de succión y transmisión

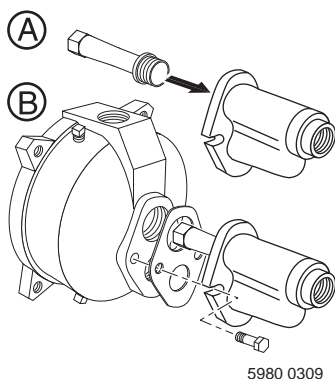


Figura 6 : Monte el eyector - pozo poco profundo

Pozo profundo

⚠ ADVERTENCIA Voltaje peligroso. Desconecte la alimentación de energía de la bomba antes de trabajar en ella o en el motor.

- Paso 1. Drene y retire la bomba vieja. Revise las condiciones de la tubería, que no tenga óxido, sarro, etc. y reemplácela si es necesario.
- Paso 2. Instale el regulador de presión y el manómetro en el cuerpo de la bomba (vea la Figura 4).
AVISO: Es posible que el eyector viejo (en el pozo) no esté conectado adecuadamente a su nueva bomba. Si la bomba no funciona adecuadamente, le recomendamos instalar el kit de eyector FP520-100-P2, incluido con la bomba.
- Paso 3. Instale la bomba y el tanque en el sistema. Asegúrese que todas las conexiones de la tubería de succión estén herméticamente cerradas y sean a prueba de agua. Si la tubería de succión puede succionar aire, la bomba no podrá sacar agua del pozo.
- Paso 4. Ajuste la altura del montaje de la bomba para que las conexiones de la tubería no ejerzan una tensión sobre el cuerpo de la bomba. Ponga soportes a la tubería para que el cuerpo de la bomba no soporte el peso de la tubería o de las conexiones.
- Paso 5. Haga correr la tubería desde el té de descarga en la brida del tanque hasta la tubería de la casa. La tubería de descarga debe ser al menos tan grande como el té del tanque. Instale una válvula de descarga en la tubería de descarga, capaz de pasar todo el flujo de la bomba a 75 psi. Haga correr una tubería desde la válvula de descarga al drenaje en el piso, o hasta otro lugar conveniente para evacuar el agua.

Usted ha terminado de instalar la plomería del pozo para su nueva bomba. Vaya a la página 37 para obtener información sobre las conexiones eléctricas.

Pozo poco profundo (Convertible - Ver la página 4 para la bomba para pozos poco profundos)

⚠ ADVERTENCIA Voltaje peligroso. Desconecte la alimentación de energía de la bomba antes de trabajar en ella o en el motor.

- Paso 1. Drene y retire la bomba vieja. Revise las condiciones de la tubería, que no tenga óxido, sarro, etc. y reemplácela si es necesario.
- Paso 2. Saque el regulador de presión del cuerpo de la bomba. Reemplácela con una entrerroscas bicónica de 1" NPT, un Té de 1" x 1" x 3/4" NPT, y un tapón para tubería de 1" NPT (vea la Figura 1). Instale el manómetro en el orificio tapado en el cuerpo de la bomba (vea la Figura 4).
- Paso 3. Instale el juego del eyector. Siga las instrucciones que vienen incluidas en el kit. Asegúrese de alinear el venturi con el orificio superior en la parte frontal de la bomba (vea la Figura 6).
AVISO: Siempre reemplace el eyector al reemplazar la bomba en una instalación para pozo poco profundo.
- Paso 4. Instale la bomba y el tanque en el sistema. Asegúrese que todas las conexiones de la tubería de succión estén herméticamente cerradas y sean a prueba de agua. Si la tubería de succión puede succionar aire, la bomba no podrá sacar agua del pozo.
- Paso 5. Ajuste la altura del montaje de la bomba para que las conexiones de la tubería no ejerzan una tensión sobre el cuerpo de la bomba. Ponga soportes a la tubería para que el cuerpo de la bomba no soporte el peso de la tubería o de las conexiones.
- Paso 6. Haga correr la tubería desde el té de descarga en la brida del tanque hasta la tubería de la casa. La tubería de descarga debe ser al menos tan grande como el té del tanque. Instale una válvula de descarga en la tubería de descarga, capaz de pasar todo el flujo de la bomba a 75 psi. Haga correr una tubería desde la válvula de descarga al drenaje en el piso, o hasta otro lugar conveniente para evacuar el agua.

Usted ha terminado de instalar la plomería del pozo para su nueva bomba. Vaya a la página 37 para obtener información sobre las conexiones eléctricas.

para pozos poco profundos

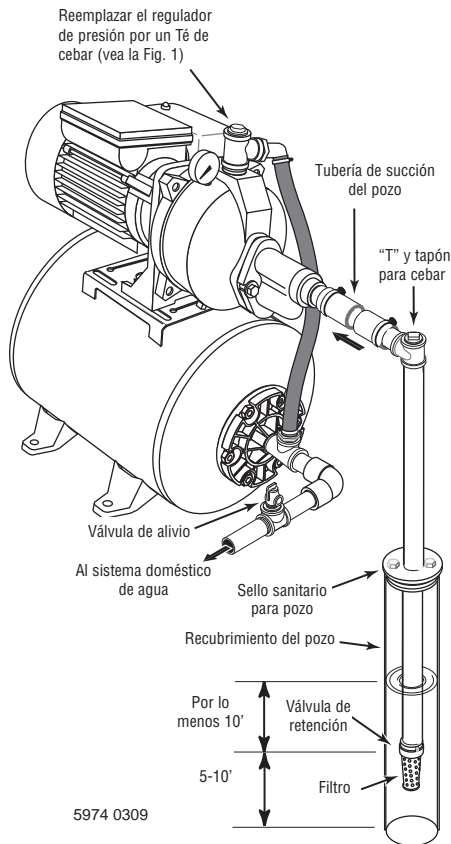


Figura 7 : Instalación de Pozo Recubierto

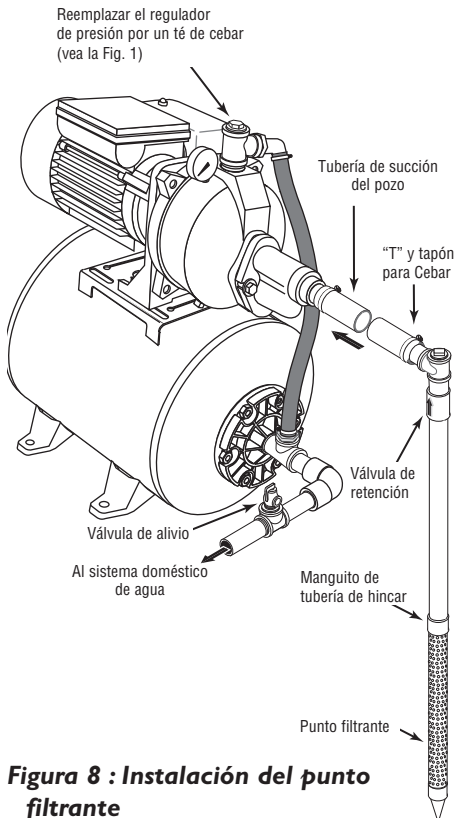


Figura 8 : Instalación del punto filtrante

Instalaciones de pozos poco profundos

- Paso 1. Saque la válvula de control del cuerpo de la bomba. Reemplácela con una entrerroscas bicónica de 1" NPT, un Té de 1" x 1" x 3/4" NPT, y un tapón para tubería de 1" NPT (vea la Figura 1). Instale el manómetro en el orificio tapado en el cuerpo de la bomba (vea la Figura 4).
- Paso 2. Instale el juego del eyector. Siga las instrucciones indicadas en el juego. El venturi debe quedar alineado con el orificio superior en la parte delantera de la bomba (vea la Figura 6).

Instalación de pozo entubado, tubería de revestimiento de 2" o mayor (Figura 7)

- Paso 3. Coloque la bomba lo más cerca posible del pozo. Conecte la tubería desde el pozo a la toma de aspiración de la bomba, usando la menor cantidad posible de accesorios - especialmente codos - ya que los accesorios aumentan la fricción en la tubería.
- Paso 4. Ensamble la válvula de pie, el colector y la tubería del pozo (vea la Figura 7). Verifique que la válvula de pie funcione libremente.
- Paso 5. Baje la tubería por el pozo hasta que el colector quede a cinco pies por encima del fondo del pozo. También deberá estar al menos 10 pies por debajo del nivel del agua del pozo mientras la bomba está marchando, para impedir que la bomba aspire aire. Instale una junta sanitaria para pozos.

Instalación del punto filtrante (Figura 8)

- Paso 3. Hínque el pozo usando "manguitos de tubería de hincar" y un "casquete de hincar". Los "accesorios de hincar" vienen completamente fileteados y permiten que los extremos de la tubería se empalmen entre sí, de manera que la fuerza de hincar del mazo se transmita por la tubería y no por las roscas. Los accesorios comunes que se encuentran en las ferreterías no vienen completamente fileteados y se pueden desplomar bajo el impacto. Además, los "accesorios de hincar" son más lisos que los accesorios comunes de plomería, lo cual facilita la penetración en el suelo.
- Paso 4. Coloque la bomba lo más cerca posible del pozo.
- Paso 5. Si un punto filtrante no suministra suficiente agua, considere la posibilidad de conectar dos o tres puntos filtrantes a una tubería de aspiración.

Todas las instalaciones de pozos poco profundos

- Paso 6. Instale un té de cebiar, un tapón de cebiar, y una tubería de aspiración a la bomba (vea las Figuras 7 y 8). Conecte la tubería desde el pozo a la toma de aspiración de la bomba, usando la menor cantidad posible de accesorios - especialmente codos - ya que los accesorios aumentan la fricción en la tubería.
 - La tubería de aspiración debe ser al menos tan grande como la toma de aspiración en la bomba (incluya una válvula de retención - vea las Figuras 7 y 8).
 - Proporcione un soporte para la tubería, para que no hayan caídas ni combaduras en la misma, evitando que ejerza demasiada tensión sobre el cuerpo de la bomba y haciendo que se incline ligeramente hacia arriba desde el pozo hacia la bomba (los puntos altos pueden provocar bolsas de aire que obturarán la bomba).
 - Selle las uniones de la tubería con cinta de Teflón™ o un compuesto a base de Teflón™. Las uniones deben ser herméticas e impermeables. Si la tubería de aspiración puede aspirar aire, la bomba no podrá extraer agua del pozo.
- Paso 7. Haga correr la tubería desde el té de descarga en la brida del tanque hasta la tubería de la casa. La tubería de descarga debe ser al menos tan grande como el té del tanque. Instale una válvula de descarga en la tubería de descarga, capaz de pasar todo el flujo de la bomba a 75 psi. Haga correr una tubería desde la válvula de descarga al drenaje en el piso, o hasta otro lugar conveniente para evacuar el agua.

Usted ha terminado de instalar la plomería del pozo para su nueva bomba. Vaya a la página 37 para obtener información sobre las conexiones eléctricas.

para pozos profundos

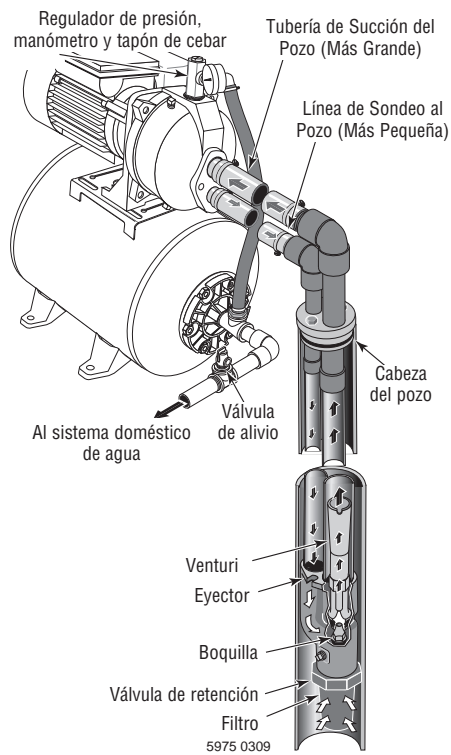
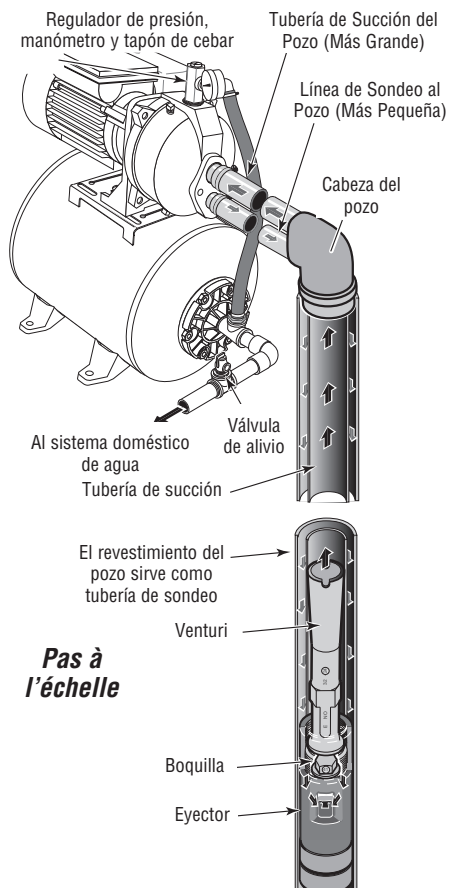


Figura 9 : Pozos Profundos de 4" y Más Grandes



Pas à l'échelle

Figura 10 : 2 pulg. (Tubo Sencillo) Pozo Profundo

Pozo de 4" ó mas (Figura 9)

- Paso 1. Instale el regulador de presión y el manómetro en el cuerpo de la bomba. Vea la Figura 4, página 34.
- Paso 2. Ensamble el juego del eyector. Vea la Figura 9. Siga las instrucciones que vienen incluidas en el kit para ajustar la boquilla y el venturi a las condiciones de su pozo.
- Paso 3. Monte la bomba tan cerca del pozo como sea posible.
- Paso 4. Conecte las dos tuberías (1" la de sondeo, 1-1/4" la de succión) al eyector y baje el eyector hacia el pozo hasta que el filtro se encuentre a cinco pies del fondo. También debe estar a por lo menos 10 pies debajo del nivel de agua del pozo cuando la bomba esté funcionando a fin de evitar que la bomba succione aire.
- Paso 5. Instale un sello sanitario para pozo y conecte la tubería del eyector a la bomba. Utilice boquillas de acero a través del sello del pozo con tubería flexible de polietileno para evitar aplastar la tubería de plástico al ajustar el sello.
- Paso 6. Soporte la tubería para que no haya inclinaciones verticales o hundimientos en ella a fin de que no ejerza tensión sobre el cuerpo de la bomba y con el propósito de que no se incline ligeramente hacia arriba desde el pozo hacia la bomba (los puntos altos pueden ocasionar que se formen bolsas de aire que pueden bloquear la bomba). Selle las juntas de la tubería de succión con cinta de teflón o con un compuesto a base de teflón especial para juntas de tuberías. Las juntas deben ser a prueba de agua y estar herméticamente cerradas. Si la tubería de succión pudiera succionar aire, la bomba no podrá sacar agua del pozo.
- Paso 7. Haga correr la tubería desde el té de descarga del tanque hasta la tubería de la casa. La tubería de descarga debe ser al menos tan grande como el té del tanque. Instale una válvula de descarga en la tubería de descarga, capaz de pasar todo el flujo de la bomba a 75 psi. Haga correr una tubería desde la válvula de descarga al drenaje en el piso, o hasta otro lugar conveniente para evacuar el agua.

Usted ha terminado de instalar la plomería del pozo para su nueva bomba. Vaya a la página 37 para obtener información sobres las conexiones eléctricas.

Pozo de 2" (Figura 10)

- Paso 1. Instale el regulador de presión y el manómetro en el cuerpo de la bomba. Vea la Figura 4, página 34.
- Paso 2. Monte la bomba tan cerca del pozo como sea posible.
- Paso 3. Ensamble el juego del eyector, la tubería del pozo y el adaptador de cabeza del pozo de acuerdo con las instrucciones que vienen incluidas en el paquete del eyector. Vea la Figura 10. Utilice tubo galvanizado de caída con juntas invertidas para lograr un flujo adecuado. Siga las instrucciones incluidas en el kit para ajustar la boquilla y el venturi a las condiciones de su pozo.
- Paso 4. Conecte las dos tuberías (una tubería de sondeo más pequeña y una más grande de succión) del pozo a la bomba. Soporte la tubería para que no haya inclinaciones verticales o hundimientos en ella a fin de que no ejerza tensión sobre el cuerpo de la bomba y con el propósito de que no se incline ligeramente hacia arriba desde el pozo hacia la bomba (los puntos altos pueden ocasionar que se formen bolsas de aire que pueden bloquear la bomba). Selle las juntas de la tubería de succión con cinta de teflón o con un compuesto a base de teflón especial para juntas de tuberías. Las juntas deben ser a prueba de agua y estar herméticamente cerradas. Si la tubería de succión pudiera succionar aire, la bomba no podría sacar agua del pozo.
- Paso 5. Haga correr la tubería desde el té de descarga en la brida del tanque hasta la tubería de la casa. La tubería de descarga debe ser al menos tan grande como el té del tanque. Instale una válvula de descarga en la tubería de descarga, capaz de pasar todo el flujo de la bomba a 75 psi. Haga correr una tubería desde la válvula de descarga al drenaje en el piso, o hasta otro lugar conveniente para evacuar el agua.

Usted ha terminado de instalar la plomería del pozo para su nueva bomba. Vaya a la página 37 para obtener información sobres las conexiones eléctricas.

AVISO: El juego de eyector suministrado con su sistema de tanque-bomba no funcionará con pozos de 2". Usted deberá adquirir, por separado FPAP2-P2.

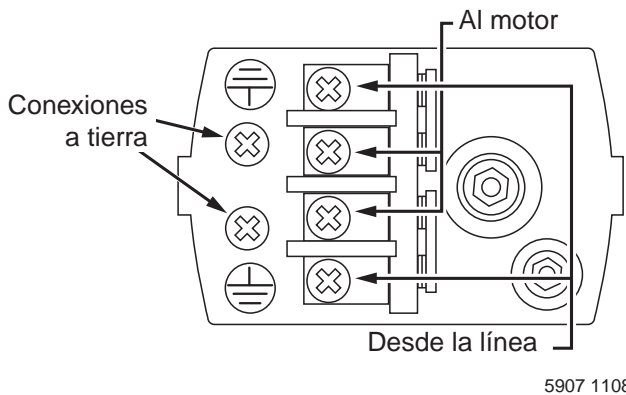
⚠ Desconecte la corriente antes de trabajar en la bomba, el motor, el conmutador a presión, o los cables.

⚠ PRECAUCIÓN Peligro de incendio. Nunca conecte un motor de 115 voltios a una línea de 230 voltios.

Verifique la configuración de tensión.

1. **¡Corte la electricidad de la bomba!**
2. Determine si el circuito para la bomba es de 115 o 230 voltios.
3. El cableado eléctrico debe ser instalado por una persona competente.
4. El conmutador de voltaje viene fijado de fábrica a 115 voltios. Si usted tiene una tensión de 115 voltios, no cambie la selección. Los motores de 1/2 HP vienen preconfigurados de fábrica para 115 voltios.
5. Para cambiar el voltaje (si es necesario), saque la cubierta del condensador del motor y deslice el conmutador totalmente para corregir el voltaje.
6. Vuelva a colocar la cubierta antes de conectar la corriente eléctrica.

¡No active la corriente eléctrica todavía!



5907 1108

Figura 11 : Conectar los cables de suministro de energía al manóstato, según se ilustra.

Conecte los cables de alimentación al manóstato.

1. Saque la cubierta del manóstato.
2. Conecte los cables de alimentación y de puesta a tierra al manóstato según se indica.
3. Vuelva a colocar la cubierta antes de activar la corriente eléctrica.

¡No active la corriente eléctrica todavía!

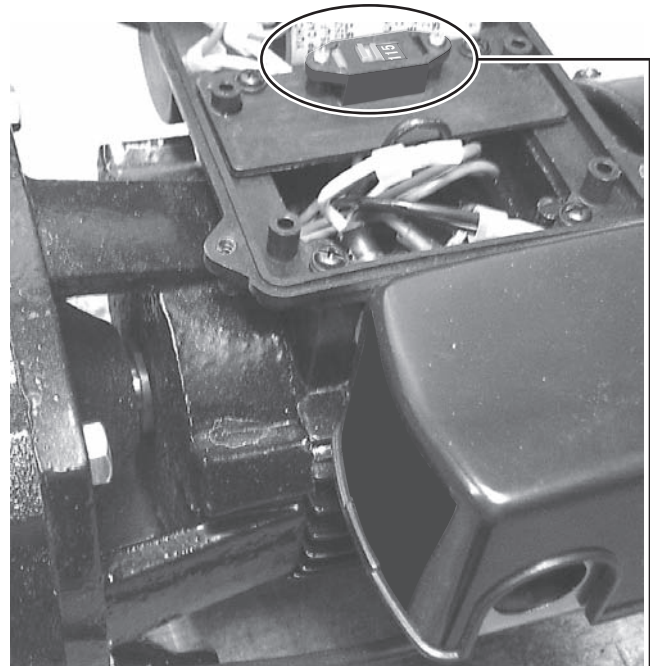


Figura 12A : Sacar la cubierta de la caja del capacitor para alcanzar el interruptor corredizo de cambio de tensión.

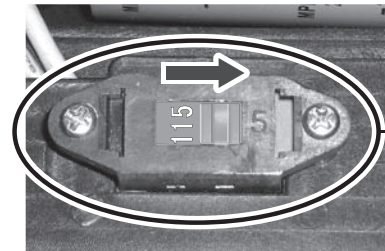
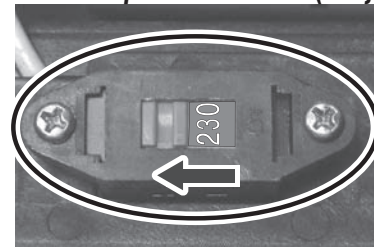


Figura 12B : La bomba viene de la fábrica configurada para una operación a 115 voltios (arriba). Para cambiar a una operación a 230 voltios, deslizar el interruptor hasta que se vea "230" (abajo)



5982 0409

Figura 12C : Interruptor corredizo configurado para una operación a 230 voltios.

⚠ ADVERTENCIA Tensión peligrosa. Puede causar choques, quemaduras o muerte. Conecte el alambre de puesta a tierra antes de conectar los alambres de suministro de corriente. Use el cable del tamaño especificado en la tabla de cableado (incluyendo el alambre de puesta a tierra). Si es posible, conecte la bomba a un circuito separado de derivación sin ningún otro artefacto en el mismo.

⚠ ADVERTENCIA Peligro de explosión. No haga la conexión a tierra en una línea de suministro de gas.

Conexiones de los cables

⚠ ADVERTENCIA Peligro de incendio. Una tensión incorrecta puede causar un incendio o dañar el motor seriamente e invalidará la garantía. La tensión de suministro debe ser entre ± 10 % de la tensión especificada en la placa de datos del motor.

AVISO: El motor viene de fábrica cableado para 115 voltios. De ser necesario, vuelva a conectar el motor para 230 voltios, según se ilustra en las Figuras 12A, 12B y 12C. No trate de operar la bomba como ha venido de la fábrica, en una operación a 230 voltios.

Instale, ponga a tierra, conecte los alambres y mantenga su bomba conforme al Código Nacional de Electricidad (NEC) o al Código Canadiense de Electricidad (CEC), según corresponda, y conforme a todos los códigos y normas locales que correspondan. Consulte con su inspector local de construcciones para obtener información sobre los códigos.

Procedimiento para las conexiones:

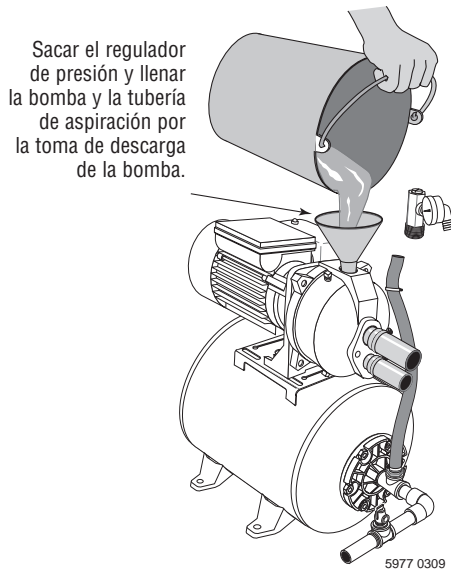
- Paso 1. Conecte el alambre de puesta a tierra primero según se ilustra en la Figura 11. El alambre de puesta a tierra debe ser un alambre de cobre sólido por lo menos tan grande como los alambres de suministro de corriente.
- Paso 2. Debe haber una conexión metálica sólida entre el conmutador a presión y el motor para brindar protección a tierra para el motor. Si el conmutador a presión no está conectado al motor, conecte el tornillo de puesta a tierra verde en el conmutador al tornillo de puesta a tierra verde debajo de la tapa de extremo del motor. Use un alambre de cobre sólido que sea por lo menos tan grande como los alambres de suministro de corriente.
- Paso 3. Conecte el alambre de puesta a tierra a un alambre conectado a tierra del tablero de servicio, a un tubo metálico para agua subterránea, a un entubamiento metálico para pozos de por lo menos 3 metros (10 pies) de largo, o a un electrodo a tierra suministrado por la empresa de energía o hidroeléctrica.
- Paso 4. Conecte los alambres de suministro de corriente al conmutador de presión según se ilustra en la Figura 11.

Usted acaba de realizar las conexiones eléctricas para su bomba.

Por favor pase a la página 39 ó 40 sobre las preparaciones para arrancar la bomba.

Tabla de conexiones - Cables recomendados y tamaños de fusibles

Modèle	HP del motor	Voltios	Amperios en placa de fábrica	Amp de rango de fusible de derivación	Distancia en pies desde el motor al suministro de energía			
					0 - 100	101 - 200	201 - 300	301 - 400
					Calibre del cable AWG (mm cuadrados)			
220515H	1/2	115/230	8.5/4.2	15	14/14 (2/2)	12/14 (3/2)	10/14 (5.5/2)	8/14 (8.4/2)
320515H	1/2	115/230	7.0/3.5	15	14/14 (2/2)	12/14 (3/2)	10/14 (5.5/2)	10/14 (5.5/2)

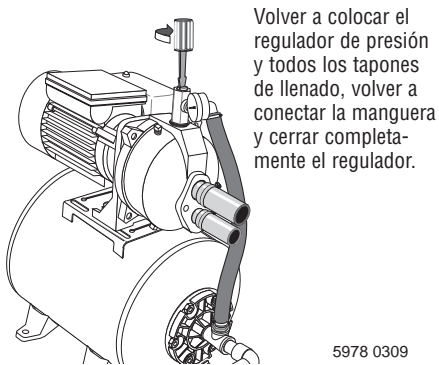


Sacar el regulador de presión y llenar la bomba y la tubería de aspiración por la toma de descarga de la bomba.

⚠ PRECAUCIÓN Nunca ponga a funcionar la bomba en seco. Poner a funcionar la bomba sin agua puede ocasionarle sobre calentamiento, dañar el sello y tal vez causar quemaduras a las personas que la estén manejando. Llene la bomba con agua antes de arrancarla.

⚠ ADVERTENCIA Nunca ponga a funcionar una bomba hacia una descarga cerrada. Hacerlo puede ocasionar que el agua en el interior de la bomba ebullicione, produciendo una presión peligrosa en la unidad, riesgo de explosión y posibles quemaduras con el agua a la persona que esté manejando la bomba.

Figura 13 : Llenado de la bomba



Volver a colocar el regulador de presión y todos los tapones de llenado, volver a conectar la manguera y cerrar completamente el regulador.

Paso 1. Abra el regulador de presión lo más posible, sin sacarlo del cuerpo del regulador. Luego saque el regulador de la bomba y llene la bomba, llene toda la tubería entre la bomba y el pozo, y verifique que toda la tubería en el pozo esté llena. Si también instaló una "T" de cebado en la tubería de succión, retire el tapón de la "T" y llene la tubería de succión (vea la Figura 13).

Paso 2. Vuelva a colocar todos los tapones de llenado y cierre la válvula de control completamente (Figura 14).

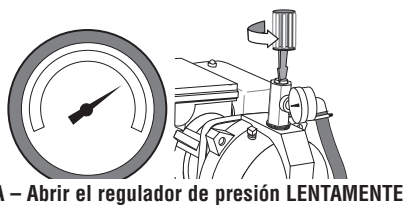
Paso 3. Enciéndala! Arranque la bomba y observe el medidor de presión. La presión debe aumentar rápidamente a aproximadamente 50 PSI al irse cargando la bomba.

Paso 4. Después de 2 ó 3 minutos, el medidor debe indicar la presión. Si no, pare la bomba, retire los tapones de llenado, vuelva a abrir la válvula de control y vuelva a llenar la bomba y la tubería. Posiblemente tendrá que repetir esto dos o tres veces para sacar todo el aire atrapado en la tubería. No olvide cerrar la válvula de control cada vez antes de encender la bomba.

Paso 5. Cuando la presión se haya desarrollado y estabilizado a unas 50 psi, abra lentamente la válvula de control (vea la Figura 15) y deje que la presión descienda hasta que la aguja del manómetro se comience a agitar o descienda a 0. Cuando la aguja se agite o descienda, cierre la válvula lo suficiente como para detener la agitación o llevar la aguja nuevamente a una presión estable. (vea la Figura 15). Ahora su bomba está operando en su punto más eficiente.

Paso 6. Después de que la bomba ha producido presión en el sistema y esté apagada, verifique la operación del interruptor de presión abriendo una llave o dos y dejando correr suficiente agua para descargar la presión hasta que la bomba arranque. La bomba debe arrancar cuando la presión caiga a 30 PSI y se debe detener cuando la presión alcance los 50 PSI. Haga funcionar la bomba durando uno o dos ciclos completos para verificar su correcta operación. Esto también le ayudará a limpiar el sistema de polvo y basura producida durante la instalación.

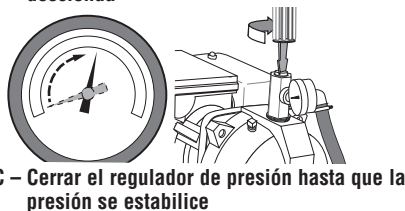
Figura 14 : Bomba de carga



A – Abrir el regulador de presión LENTAMENTE



B – Observar hasta que el manómetro se agite o descienda



C – Cerrar el regulador de presión hasta que la presión se estabilice

Felicidades por una instalación exitosa.

Si usted no tuvo éxito, por favor pase a la sección de Solución de Problemas o llame a nuestro personal técnico de servicio al cliente.

Figura 15 : Fije la válvula de control

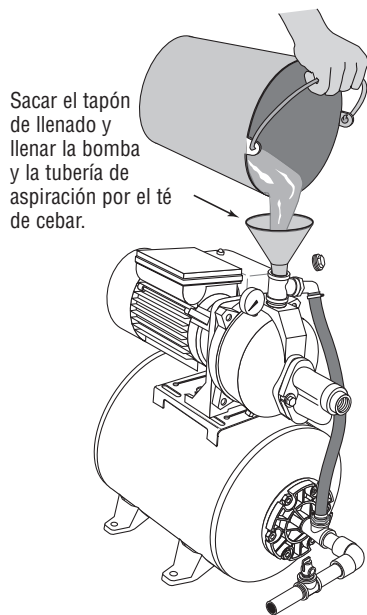


Figura 16 : Llenar la bomba por el té de cebado

▲ PRECAUCIÓN Nunca ponga a funcionar la bomba en seco. Poner a funcionar la bomba sin agua puede ocasionarle sobre calentamiento, dañar el sello y tal vez causar quemaduras a las personas que la estén manejando. Llene la bomba con agua antes de arrancarla.

▲ ADVERTENCIA Nunca ponga a funcionar una bomba hacia una descarga cerrada. Hacerlo puede ocasionar que el agua en el interior de la bomba ebullicione, produciendo una presión peligrosa en la unidad, riesgo de explosión y posibles quemaduras con el agua a la persona que esté manejando la bomba.

Paso 1. Retire el tapón de cebado de la bomba y llénela, llenando toda la tubería entre la bomba y el pozo; asegúrese de que toda la tubería en el pozo esté llena (vea la Figura 16). Si también instaló una "T" de cebado en la tubería de succión, retire el tapón de la "T" y llene la tubería de succión.

Paso 2. Vuelva a colocar todos los tapones de llenado.

Paso 3. Enciéndala! Arranque la bomba. La bomba debe bombear agua después de 2 o 3 minutos.

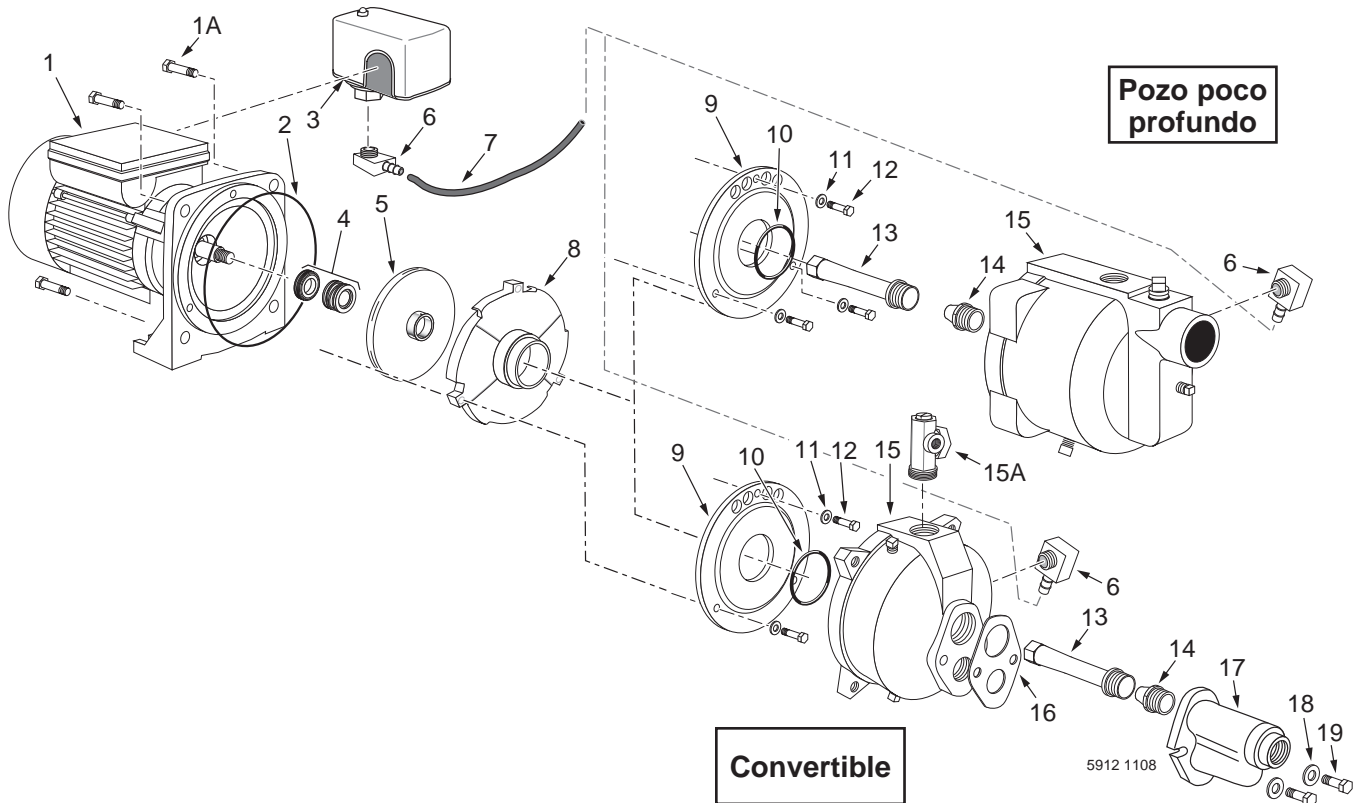
Paso 4. Si no tiene agua después de 2 o 3 minutos, pare la bomba y retire todos los tapones de llenado. Vuelva a llenar la bomba y la tubería. Posiblemente tendrá que repetir esto dos o tres veces para sacar todo el aire atrapado en la tubería.

Paso 5. Después de que la bomba ha producido presión en el sistema y esté apagada, verifique la operación del interruptor de presión abriendo una llave o dos y dejando correr suficiente agua para descargar la presión hasta que la bomba arranque. La bomba debe arrancar cuando la presión caiga a 30 PSI y se debe detener cuando la presión alcance los 50 PSI. Haga funcionar la bomba durando uno o dos ciclos completos para verificar su correcta operación. Esto también le ayudará a limpiar el sistema de polvo y basura producida durante la instalación.

Felicidades por una instalación exitosa.

Si usted no tuvo éxito, por favor pase a la sección de Solución de Problemas o llame a nuestro personal técnico de servicio al cliente.

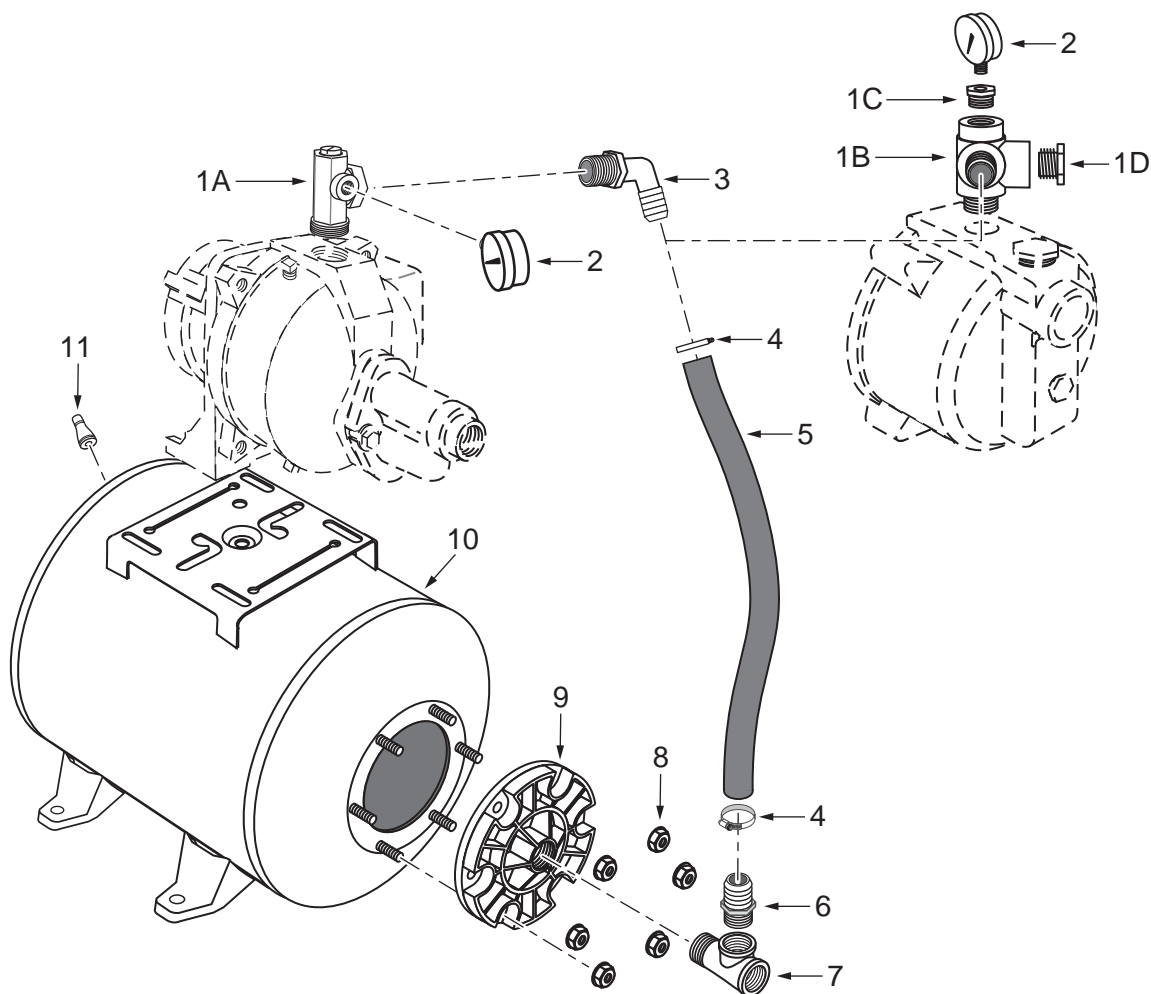
Síntoma	Causa(s) probable(s)	Acción correctiva
El motor no funciona	El interruptor de desconexión está apagado	Verifique que el interruptor esté encendido.
	El fusible está quemado o el disyuntor se abrió	Reemplace el fusible o reposicione el disyuntor.
	El interruptor de encendido está defectuoso	DESCONECTE LA CORRIENTE ELÉCTRICA; reemplace el interruptor de encendido.
	Los cables en el motor están sueltos, desconectados o conectados incorrectamente	Consulte las instrucciones sobre el cableado (página 39); DESCONECTE LA CORRIENTE ELÉCTRICA; inspeccione y ajuste todo el cableado. ⚠ ADVERTENCIA La tensión del capacitor puede ser peligrosa. Para descargar el capacitor, tome un destornillador con mango aislado POR EL MANGO y haga un corto circuito con los bornes del capacitor. No toque la hoja metálica del destornillador ni los bornes del capacitor. Si tiene alguna duda, consulte con un electricista competente.
El motor se calienta y dispara la sobrecarga	Los contactos del manóstató están sucios	DESCONECTE LA CORRIENTE ELÉCTRICA y lime los contactos con una lima de esmeril o una lima para uñas.
	El motor está cableado incorrectamente	Consulte las instrucciones sobre el cableado.
	La tensión es muy baja	Verifique con la compañía de energía eléctrica. Instale un cableado de mayor calibre si éste es muy pequeño (Ver el Gráfico de Cableado/Electricidad).
El motor funciona pero no sale agua* * (AVISO: Detenga la bomba: después verifique el cebado antes de buscar otras causas. Destornille el tapón de cebar y vea si hay agua en el orificio de cebado)	Los ciclos de la bomba son muy frecuentes	Consulte la sección a continuación sobre ciclos demasiado frecuentes.
	La bomba en una instalación nueva no recogió el cebado debido a: 1. Cebado inadecuado 2. Fugas de aire 3. Fugas en la válvula de pie o en la válvula de retención	En una instalación nueva: 1. Vuelva a cebarla según las instrucciones. 2. Revise todas las conexiones en la línea de aspiración, en el AVC y en el eyector con agua jabonosa o crema de afeitar. 3. Reemplace la válvula de pie o la válvula de retención.
	La bomba ha perdido cebadura debido a: 1. Fugas de aire 2. Nivel de agua por debajo de la entrada de la tubería de aspiración	En una instalación que ya esté en uso: 1. Inspeccione todas las conexiones en la línea de aspiración y en el sello del eje. 2. Baje la línea de aspiración hacia el agua y vuelva a cebar. Si la disminución del nivel de agua supera los 25 pies (7.6 m), será necesario instalar una bomba para pozo profundo.
	La válvula de pie o el colector están tapados	Limpie la válvula de pie o el colector.
	El eyector o el impulsor están tapados	Limpie el eyector o el impulsor.
	La válvula de retención o la válvula de pie está cerrada y atascada	Reemplace la válvula de retención o la válvula de pie.
	Las tuberías están congeladas	Descongele las tuberías. Entierre las tuberías debajo de la línea de congelación. Caliente el recinto de bombas o el foso.
	La válvula de pie y/o el colector están enterrados en arena o en lodo	Eleve la válvula de pie y/o el colector por encima del fondo de la fuente de agua. Limpie la válvula de pie y el colector.
La bomba no produce agua a toda su capacidad (También verifique el punto 3 de arriba)	El nivel de agua en el pozo profundo es menor que el que se calculó	Es posible que se requiera una nueva combinación de venturi y tobera.
	La tubería de acero (si se utilizó) está corroída u oxidada, ocasionando una fricción excesiva	Reemplace con tubería de plástico donde sea posible, o de lo contrario con tubería nueva de acero.
	El tamaño de la tubería es muy pequeño	Utilice una tubería acodada más grande.
La bomba entrega agua pero no se apaga o los ciclos de bombeo son demasiado frecuentes	El manóstató está desajustado o los contactos están soldados juntos	DESCONECTE LA CORRIENTE ELÉCTRICA; ajuste o reemplace el manóstató.
	Se dejaron las llaves abiertas	Cierre las llaves.
	El venturi, la tobera o el impulsor están tapados	Limpie el venturi, la tobera o el impulsor.
	El tanque de presión estándar está inundado y no tiene amortiguador de aire	Drene el tanque a la abertura de regulador de volumen de aire. Verifique que el AVC no presente defectos. Verifique que no haya fugas de aire en ninguna conexión.
	Las tuberías presentan fugas	Inspeccione las conexiones.
	Las válvulas de pie presentan fugas	Reemplace la válvula de pie.
	El manóstató está desajustado	Ajuste o reemplace el manóstató.
	La carga de aire es demasiado baja en el tanque precargado	DESCONECTE LA CORRIENTE ELÉCTRICA y abra las llaves hasta que se haya liberado la presión. Mida la presión del aire en el tanque con un manómetro para neumáticos en el vástago de la válvula que se encuentra en el tanque. Si la presión es menor que la del disparo del manóstató (30-50 PSI), bombee aire hacia el tanque desde una fuente externa hasta que la presión del aire sea 2 PSI menos que la presión de disparo del interruptor. Verifique que no haya fugas en la válvula de aire (utilice una solución jabonosa) y reemplace el núcleo si fuese necesario.
Sale aire de los grifos	La bomba está cebando	Cuando la válvula está cebando, debería bombar sólo agua, sin aire.
	Fuga del lado de la aspiración de la bomba	La tubería de aspiración está aspirando aire. Verifique que no haya fugas en las juntas usando agua jabonosa.
	El pozo es gaseoso	Consulte a la fábrica sobre la instalación de una camisa en el pozo.
	Sobre-bombeo intermitente del pozo, (aspiración adicional de agua por debajo de la válvula de pie)	Baje la válvula de pie si es posible, de lo contrario, restrinja la descarga de la bomba.



Clave No.	Descripción	Cant.	Clave No.	Descripción de la Parte	Cant.	Clave No.	Descripción de la Parte	Cant.
1	Unidad de motor/placa de estanqueidad	1	7	Manguera	1	15A	Regulador de presión	1
1A	Tornillo de la brida del motor	4	8	Difusor	1	16	Empaquetadura del eyector	1
2	Aro tórico de la placa de estanqueidad	1	9	Placa del difusor	1	17	Cuerpo del eyector	1
3	Manóstato	1	10	Aro tórico de la placa del difusor	1	18	Arandela	2
4	Junta del eje	1	11	Arandela de la placa del difusor	3	19	Tornillo prisionero del eyector	2
5	Impulsor	1	12	Tornillo de la placa del difusor	3			
6	Codo dentado de 1/4" NPT x 1/4" po	2	13	Venturi	1			
			14	Boquilla	1			
			15	Cuerpo de la bomba	1			

Modelo de la bomba y caballos de fuerza		
	Bombas convertibles (pozo profundo)	Bombas de pozo poco profundo
Descripción de la parte	320515H 1/2 HP	220515H 1/2 HP
Juego de junta y aro tórico	RPK-35	RPK-35
Juego de reacondicionamiento	RPK-205DW	RPK-205SW
Juego de eyector	FP520-100	-
Unidad del cuerpo de la bomba	R176-72	R176-73
Manóstato (30-50)	TC2151	TC2151
Tubería del manóstato	FPASFK	FPASFK
Regulador de presión	FPAPR	-
Los juegos incluyen:		
Juego de junta y aro tórico	Claves Nos. 2, 4, 10, 16	
Juego de reacondicionamiento (pozo poco profundo)	Claves Nos. 1A, 2, 4, 5, 8, 9, 11(3), 12(3), 13, 14	
Juego de reacondicionamiento (convertible)	Claves Nos. 1A, 2, 4, 5, 8, 9, 10, 11, 12	
Juego de eyector (convertible)	Claves Nos. 6(2), 7, 13(5), 14(2), 16, 17, 18(2), 19(2)	
Unidad del cuerpo de la bomba (convertible)	Claves Nos. 2, 6, 10, 15, 16, tapones de 1/4" NPT(2), tapones de 1/2" NPT	
Unidad del cuerpo de la bomba (pozo poco profundo)	Claves Nos. 2, 6, 13, 14, 15, tapones de 1/4" NPT(2), tapones de 1/2" NPT	
Manóstato	Claves Nos. 3	
Juego de tubería del manóstato	Claves Nos. 6(3), 7	

Para refacciones o asistencia, llame a Simer Servicios al Cliente al: 1 800 468-7867.



Clave no.	Descripción de la parte	Cant.	320515H	220515H
1A	Regulador de presión	1	FPAPR	-
1B	Descarga en cruz	1	-	U78-961P
1C	Casquillo reductor de 1/2" NPT x 1/8" NPT	1	-	U78-107PT
1D	Tapón de tubo de 1" NPT	1	-	U78-1008P
•	Tapón de tubo de 1/8" NPT	1	-	WC78-41T
2	Manómetro	1	TC2104	TC2104
3	Codo dentado de 90° para manguera de 3/4" NPT x 1"	1	U78-770P	-
4	Abrazadera para manguera de 1"	2	U19-55SS	U19-55SS
5	Manguera de 1"	1	U74-37R	U74-37H
6	Adaptador para nervadura de manguera de 3/4" NPT x 1"	1	24206A004	24206A004
7	Té macho-hembra de 3/4" NPT x 3/4" NPT x 3/4" NPT	1	05002A001	05002A001
8	Tuercas embridadas de 5/16" - 18	6	U36-202BT	U36-202BT
9	Brida del tanque	1	U31-442P	U31-442P
•	Cámara del tanque	1	U20-7	U20-7
10	Cuerpo del tanque	1	*	*
11	Válvula de aire con casquete	1	U212-160	U212-160

* Si el cuerpo del tanque falla, se debe reemplazar el tanque completo (Pieza de repuesto número RT6H)

• No se ilustra

