

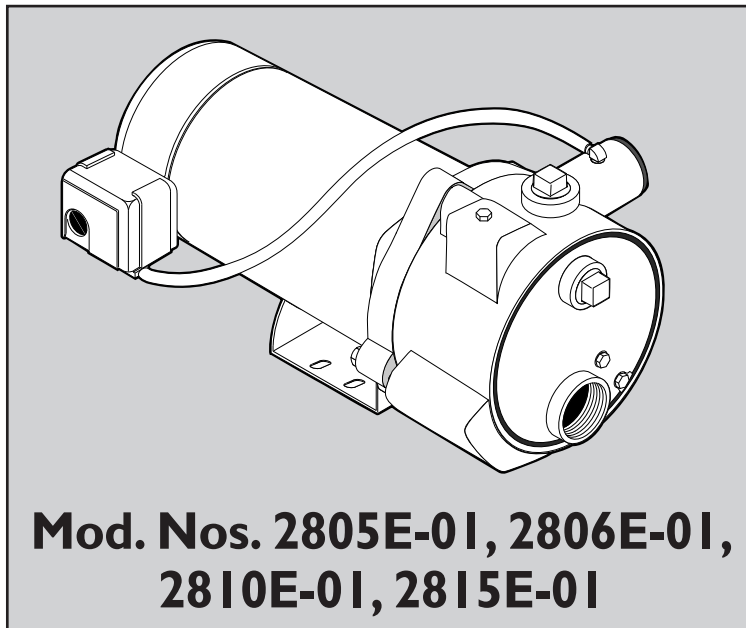


293 Wright St., Delavan, WI 53115
 Phone: 1-800-468-7867
 1-800-546-7867
 Fax: 1-800-390-5351
 Web Site: <http://www.simerpump.com>

OWNER'S MANUAL
**Convertible Deep Well Jet Pumps
 and Tank System**

NOTICE D'UTILISATION
**Pompes à éjecteur
 transformables pour puits
 profond et système de réservoir
 sous pression**

MANUAL DEL USUARIO
**Bombas de chorro
 convertibles para pozos
 profundos y Sistema de Tanque**



Installation/Operation/Parts

*For further operating, installation, or
 maintenance assistance:*

Call 1-800-365-6832

English Pages 2-14

Installation/Fonctionnement/Pièces

*Pour plus de renseignements
 concernant l'utilisation,
 l'installation ou l'entretien,*

Composer le 1 (800) 365-6832

Français Pages 15-27

Instalación/Operación/Piezas

*Para mayor información sobre el
 funcionamiento, instalación o
 mantenimiento de la bomba:*

Llame al 1-800-365-6832

Español Paginas 28-40

READ AND FOLLOW SAFETY INSTRUCTIONS!

⚠ This is the safety alert symbol. When you see this symbol on your pump or in this manual, look for one of the following signal words and be alert to the potential for personal injury:

⚠ DANGER warns about hazards that **will** cause serious personal injury, death or major property damage if ignored.

⚠ WARNING warns about hazards that **can** cause serious personal injury, death or major property damage if ignored.

⚠ CAUTION warns about hazards that **will** or **can** cause minor personal injury or property damage if ignored.

The label **NOTICE** indicates special instructions which are important but not related to hazards.

Carefully read and follow all safety instructions in this manual and on pump.

Keep safety labels in good condition.
Replace missing or damaged safety labels.

ELECTRICAL SAFETY

⚠ WARNING **Hazardous voltage. Can shock, burn or kill.** Capacitor voltage may be hazardous. To discharge the motor capacitor, hold the insulated handle screwdriver **BY THE HANDLE** and short the capacitor terminals together. Do not touch the metal screwdriver blade or capacitor terminals. If in doubt, consult a qualified electrician.

GENERAL SAFETY

⚠ CAUTION **Burn hazard. Do not touch an operating motor.** Modern motors are designed to operate at high temperatures. To avoid burns when servicing pump, allow it to cool for 20 minutes after shut-down before handling.

Do not allow the pump or any system component to freeze. To do so will void the warranty.

Pump water only with this pump.

Periodically inspect the pump and system components.


Wear safety glasses at all times when working on pumps.

Keep the work area clean, uncluttered and properly lighted; store properly all unused tools and equipment.

Keep visitors at a safe distance from the work areas.

⚠ WARNING **Hazardous pressure. Risk of explosion.** Pump body may explode if used as a booster pump unless a relief valve capable of passing the full pump flow at 75 psi is installed.

⚠ WARNING



Hazardous voltage. Can shock, burn, or cause death.

Ground pump before connecting to power supply. Disconnect power before working on pump, motor or tank.

- ⚠** Wire motor for correct voltage. See "Electrical" section of this manual and motor nameplate.
- ⚠** Ground motor before connecting to power supply.
- ⚠** Meet National Electrical Code, Canadian Electrical Code, and local codes for all wiring.
- ⚠** Follow wiring instructions in this manual when connecting motor to power lines.

⚠ WARNING



Hazardous pressure! Install pressure relief valve in discharge pipe.

Release all pressure on system before working on any component.

Thank you for purchasing a top quality, factory tested pump.

	Page
General Safety	2
Warranty	3
Replacing an Existing Pump	4
New Shallow Well Installation	5,6
• Well Point (Driven Point)	
• Cased Well, 2" or larger casing	
• Installation for Surface Water	
New Deep Well Installation	6,7
• 4" or Larger Well	
• 2" Well	
• Pre-charged Tank Connection	
• Standard Tank Connection	
Electrical	8,9
Preparing To Start The Pump – Deep Well	10
Preparing To Start The Pump – Shallow Well	11
Troubleshooting	12
Repair Parts	13,14

ATTACH ORIGINAL RECEIPT HERE FOR WARRANTY CONSIDERATION.

SIMER warrants to the original consumer purchaser ("Purchaser") of its products that they are free from defects in material or workmanship. If within twelve (12) months from the date of the original consumer purchase any such product shall prove to be defective, it shall be repaired or replaced at SIMER's option, subject to the terms and conditions set forth below. Your original receipt of purchase is required to determine warranty eligibility.

Exceptions to the Twelve (12) Month Warranty

Product/Model No.	Warranty Period
M40P, M80, BW85P, CM10, CMK	90 days
2330, 2300, 2955, 2957, A5500	2 Years
4" Submersible Well Pumps, 3984, 3983, 2975PC, 2958, 3075SS	3 Years
Pre-Charge Water System Tank, 3986, 3985, 2956, 2960	5 Years
3988, 3995, 3997, 3963	Lifetime

General Terms and Conditions

Purchaser must pay all labor and shipping charges necessary to replace product covered by this warranty. This warranty shall not apply to acts of God, nor shall it apply to products which, in the sole judgement of SIMER, have been subject to negligence, abuse, accident, misapplication, tampering, alteration; nor due to improper installation, operation, maintenance or storage; nor to other than normal application, use or service, including but not limited to, operational failures caused by corrosion, rust or other foreign materials in the system, or operation at pressures in excess of recommended maximums.

Requests for service under this warranty shall be made by returning the defective product to the Retail outlet or to SIMER as soon as possible after the discovery of any alleged defect. SIMER will subsequently take corrective action as promptly as reasonably possible. No requests for service under this warranty will be accepted if received more than 30 days after the term of the warranty.

This warranty sets forth SIMER's sole obligation and purchaser's exclusive remedy for defective products.

SIMER SHALL NOT BE LIABLE FOR ANY CONSEQUENTIAL, INCIDENTAL, OR CONTINGENT DAMAGES WHATSOEVER.

THE FOREGOING WARRANTIES ARE EXCLUSIVE AND IN LIEU OF ALL OTHER EXPRESS WARRANTIES. IMPLIED WARRANTIES, INCLUDING BUT NOT LIMITED TO THE IMPLIED WARRANTIES OF MERCHANTABILITY AND FITNESS FOR A PARTICULAR PURPOSE, SHALL NOT EXTEND BEYOND THE DURATION OF THE APPLICABLE EXPRESS WARRANTIES PROVIDED HEREIN.

Some states do not allow the exclusion or limitation of incidental or consequential damages or limitations on how long an implied warranty lasts, so the above limitations or exclusions may not apply to you. This warranty gives you specific legal rights and you may also have other rights which vary from state to state.

SIMER • 293 Wright Street • Delavan, WI U.S.A. 53115
Phone: 1-800-468-7867/1-800-546-7867 • Fax: 1-800-390-5351
E-Mail: info@simerpumps.com • Web Site: http://www.simerpumps.com

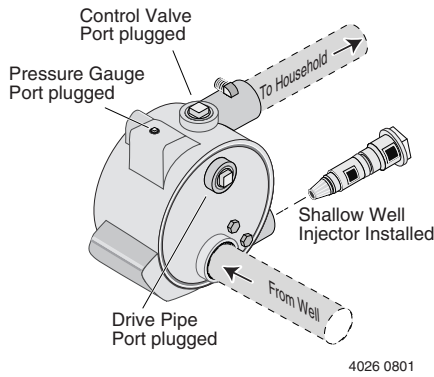


Figure 1: Shallow Well Setup

SHALLOW WELL (Figure 1)

⚠ WARNING Hazardous voltage. Can shock, burn or kill. Disconnect power to pump before working on pump or motor.

1. Drain and remove the old pump. Check the old pipes for scale, lime, rust, etc., and replace them if necessary.
2. Install the pump in the system (see Figures 4, 5, and 6). Make sure that all of the pipe joints in the suction pipe are air-tight as well as water tight. If the suction pipe can suck air, the pump will not be able to pull water from the well.
3. Adjust the pump mounting height so that the plumbing connections do not put a strain on the pump body. Support the pipe so that the pump body does not take the weight of piping or fittings.

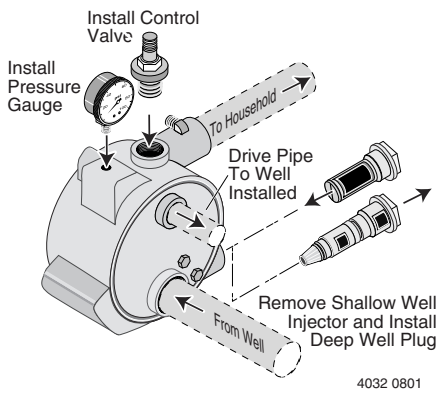


Figure 2: Deep Well Setup

DEEP WELL

⚠ WARNING Hazardous voltage. Can shock, burn or kill. Disconnect the power to the pump before working on pump or motor.

1. Drain and remove the old pump. Check the pipes for scale, lime, rust, etc., and replace them if necessary.
2. Install the control valve, pressure gauge, and deep well plug in the pump body (purchase kit separately; see Figure 2). When connecting to the well head, be sure you go small port to small port (drive) and large port to large port (suction). If necessary, use flexible pipes and twist them to make the correct connections.
3. Simer pumps have the suction pipe (the larger port) below the drive port (see Figures 2 and 3).
4. Install the pump in the system. Make sure all of the pipe joints in the suction pipe are air-tight as well as water tight. If the suction pipe can suck air, the pump will not be able to pull water from the well.
5. Adjust the pump mounting height so that the plumbing connections do not put a strain on the pump body. Support the pipe so that the pump body does not take the weight of piping or fittings.

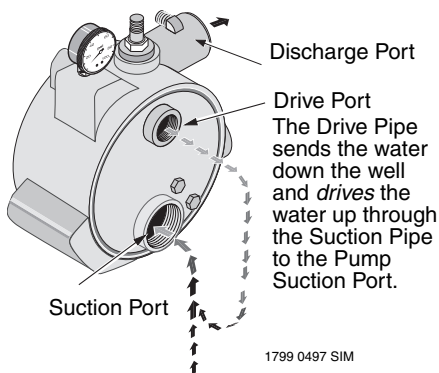


Figure 3: Deep Well Drive and Suction Functions

NOTICE: Your old injector system (in the well) may not be properly matched to your new pump. If your pump does not perform properly, we recommend that you install a Simer MDWE Injector Kit (4" well) or a Simer MDWA Injector Kit (2" packer-type well).

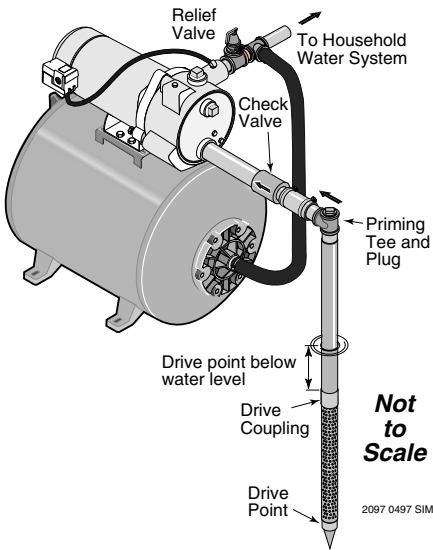


Figure 4: Typical Well-Point Installation

SHALLOW WELL JET PUMP INSTALLATIONS

- Have a vertical depth between the pump and the water being pumped of 25' or less.
- Have one pipe from the well to the pump case.
- Can be installed in a bored or drilled well, or in a driven well.

WELL POINT INSTALLATION (Figure 4)

1. Drive the well, using “drive couplings” and a “drive cap”. “Drive fittings” are threaded all the way through and allow the pipe ends to butt against each other so that the driving force of the maul is carried by the pipe and not by the threads. The ordinary fittings found in hardware stores are not threaded all the way through the fitting and can collapse under impact. “Drive fittings” are also smoother than standard plumbing fittings, making ground penetration easier.
2. Mount the pump as close to the well as possible.
3. Use the fewest possible fittings (especially elbows) when connecting the pipe from the well point to the pump suction port. The suction pipe should be at least as large as the suction port on the pump (include a check valve). Support the pipe so that there are no dips or sags in the pipe, so it doesn't strain the pump body, and so that it slopes slightly upward from the well to the pump (high spots can cause air pockets which can air lock the pump). Seal the suction pipe joints with teflon tape. Joints must be air- and water-tight. If the suction pipe can suck air, the pump cannot pull water from the well. If one well point does not supply enough water, consider connecting two or three well points to one suction pipe.

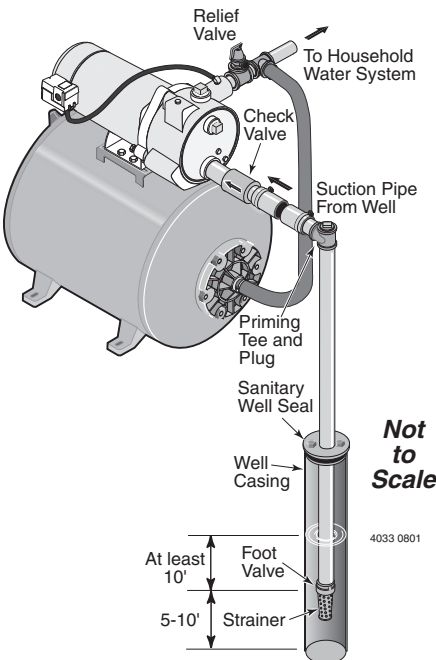


Figure 5: Typical Cased Well Installation

CASED WELL INSTALLATION, 2" OR LARGER CASING (Figure 5)

1. Mount the pump as close to the well as possible.
2. Assemble the foot valve, strainer, and well pipe. Make sure that the foot valve works freely.
3. Lower the pipe into the well until the strainer is five feet above the bottom of the well. It should also be at least 10 feet below the well's water level while the pump is running in order to prevent the pump from sucking air. Install a sanitary well seal.
4. Install a priming tee, priming plug, and suction pipe to the pump. Connect the pipe from the well to the pump suction port, using the fewest possible fittings (especially elbows) as fittings increase friction in the pipe. The suction pipe should be at least as large as the suction port on the pump. Use teflon tape on threaded pipe joints. Joints must be air- and water-tight. If the suction pipe can suck air, the pump cannot pull water from the well. Support the pipe so that there are no dips or sags in the pipe, so it doesn't strain the pump body, and so that it slopes slightly upward from the well to the pump (high spots can cause air pockets which can air lock the pump).

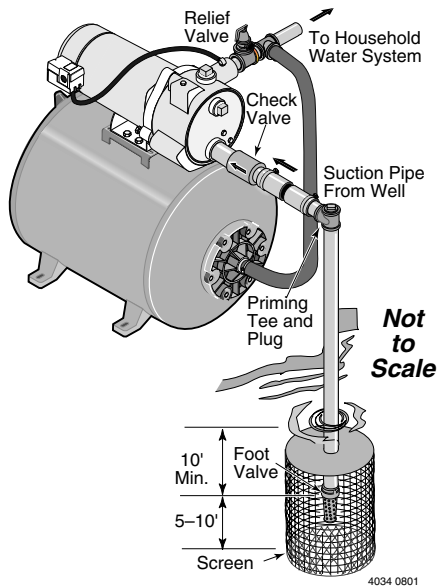


Figure 6: Typical Open Water Installation

INSTALLATION FOR SURFACE WATER (Figure 6)

1. The pump should be installed as close to the water as possible, with the fewest possible fittings (especially elbows) in the suction pipe. The suction pipe should be at least as large as the suction port on the pump.
2. Assemble a foot valve and suction pipe. Make sure that the foot valve works freely. Use Teflon tape™. Protect the foot valve assembly from fish, trash, etc. by installing a screen around it.
3. Lower the pipe into the water until the strainer is five feet above the bottom. It should also be at least 10 feet below the water level in order to prevent the pump from sucking air.
4. Install a priming tee, priming plug, and suction pipe to the pump. Support the pipe so that there are no dips or sags in the pipe, so it doesn't strain the pump body, and so that it slopes slightly upward from the well to the pump (high spots can cause air pockets which can air lock the pump). Seal the suction pipe joints with teflon tape. Joints must be air and water tight. If the suction pipe can suck air, the pump cannot pull water from the well.

New Deep Well Installation

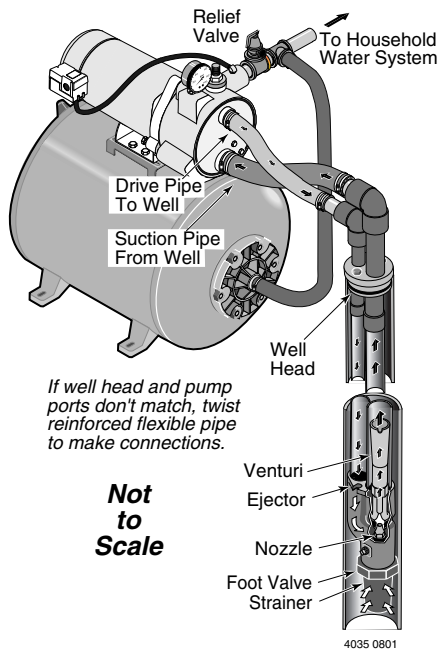


Figure 7: Typical 2" and 4" Deep Well Installation

4" OR LARGER WELL (Figure 7)

1. Install the control valve, the pressure gauge and the deep well injector plug in the pump body. See Figure 2. Purchase Model MDWC Deep Well Conversion Kit to obtain these parts.
2. Mount the pump as close to the well as possible.
3. Install a flexible pipe between the well head and the pump so the connection will be correct. Connect small port to small port and large port to large port.
NOTICE: Simer jet pumps have the suction port (the larger port) below the drive port. See Figure 3.
4. Connect both the suction and drive pipes to the ejector piping and lower the ejector into the well until it is five feet from the bottom. It should also be at least 10 feet below the well's water level while the pump is running in order to prevent the pump from sucking air.
5. Install a sanitary well seal and connect the ejector piping to the pump. Use steel nipples through the well seal with flexible poly pipe to avoid crushing the plastic pipe when tightening the seal.
6. Support the pipe so that there are no dips or sags in the pipe, so it doesn't strain the pump body, and so that it slopes slightly upward from the well to the pump (high spots can cause air pockets which can air lock the pump). Seal the suction pipe joints with teflon tape. Joints must be air- and water-tight. If the suction pipe can suck air, the pump cannot pull water from the well.

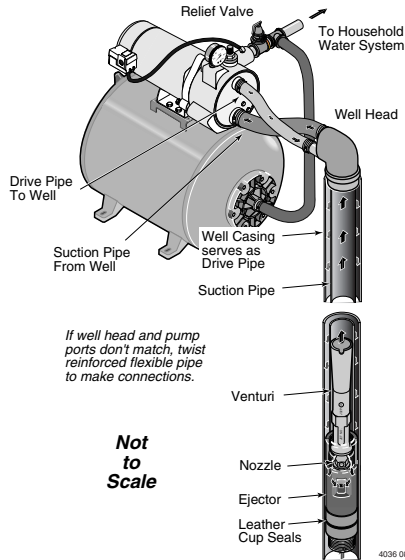


Figure 8: Typical 2" Deep Well Installation

2" WELL (Figure 8)

1. Install the control valve, pressure gauge, and deep well plug in the pump body. See Figure 2. Purchase Model MDWC Deep Well Conversion Kit to obtain these parts.
2. Mount the pump as close to the well as possible.
3. Install a flexible pipe between the well head and the pump so the connection will be correct. Connect small port to small port and large port to large port.
NOTICE: Simer jet pumps have the suction port (the larger port) below the drive port. See Figure 3.
4. Run the drive pipe and the suction pipe from the well to the pump. Support the pipe so that there are no dips or sags in the pipe, so it doesn't strain the pump body, and so that it slopes slightly upward from the well to the pump (high spots can cause air pockets which can air lock the pump). Seal the suction pipe joints with Teflon tape™. Joints must be air- and water-tight. If the suction pipe can suck air, the pump cannot pull water from the well.

PRE-CHARGE TANK CONNECTION (Figure 9)

If your system uses a pre-charged tank, it should be connected to the pump as shown in Figure 9. The relief valve must be capable of passing the entire pump capacity at 100 PSI pressure.

Check the pre-charge of the air in the tank with an ordinary tire gauge. The pre-charge is measured *when there is no water pressure in the tank*. Disconnect the power to the pump and drain the tank before checking the pre-charge. Your pump has a 20/40 PSI switch (Models 2805/6/10E) or a 30/50 PSI switch (Model 2815E), so the tank pre-charge pressure should be 18 PSI (Models 2805/6/10E) or 28 PSI (Model 2815E). That is, it should be 2 PSI lower than the cut-in pressure of the pressure switch.

NO AVC is required for a pre-charged tank; the 1/4" NPT AVC port on the pump body should be plugged.

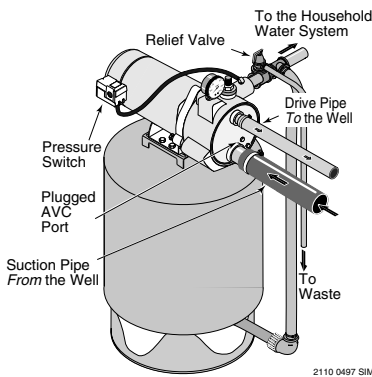


Figure 9: Pre-charged Tank Connections

STANDARD TANK CONNECTION (Figure 10)

If your system uses a standard tank, connect it to the pump as shown in Figure 10. The relief valve used with a standard tank must be capable of passing the entire pump capacity at 75 PSI pressure.

Connect the Air Volume Control (AVC) tube to the 1/4" NPT AVC port on the pump body. Run the tubing from the pump's AVC port to the AVC mounted on the tank. See the instructions provided with the tank and the AVC for details.

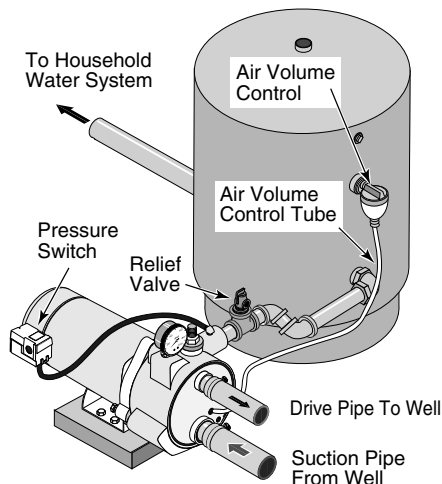


Figure 10: Standard Tank Connections

Sealing Pipe Joints

Use only Teflon tape for making all threaded connections to the pump itself. **Do not use pipe joint compounds on plastic pumps:** they can react with the plastic in pump components. Make sure that all pipe joints in the suction pipe are air tight as well as water tight. *If the suction pipe can suck air, the pump will not be able to pull water from the well.*

⚠ Hazardous voltage. Can shock, burn or kill. Disconnect the power before working on pump, motor, pressure switch, or wiring.

MOTOR SWITCH SETTINGS

Dual-voltage motors (motors that can operate at either 115 or 230 volts), are set at the factory to 230 volts. Do not change motor voltage setting if line voltage is 230 volts, or if you have a single voltage motor.

NOTE: Never wire a 115 volt motor to a 230 volt line.

NOTE: Wire TEFC motors according to wiring diagram in junction box on motor. Be sure motor is connected for correct line voltage.

NOTE: Wire 3-Phase motors according to wiring diagram on motor. Be sure motor is connected for correct line voltage.

Remove Motor End Cover

If you have a dual-voltage motor, and will connect it to 115 volts, follow the procedure below.

You will need to remove the motor end cover to change the voltage setting.

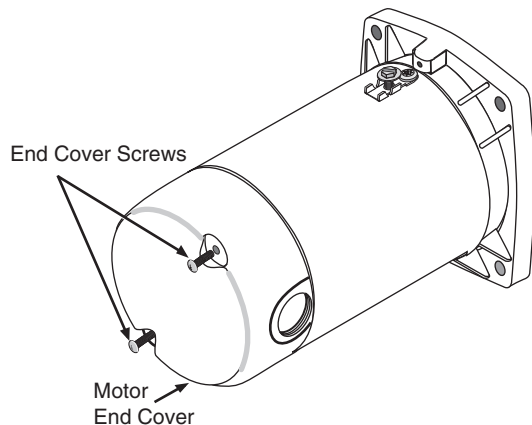


Figure 11: Removing End Cover

Your motor terminal board (located under the motor end cover) should look like the one below.

Dial Type Voltage Selector

To change to 115 volts:

1. Make sure power is off.
2. Turn the dial counter-clockwise until 115 shows in the dial window.

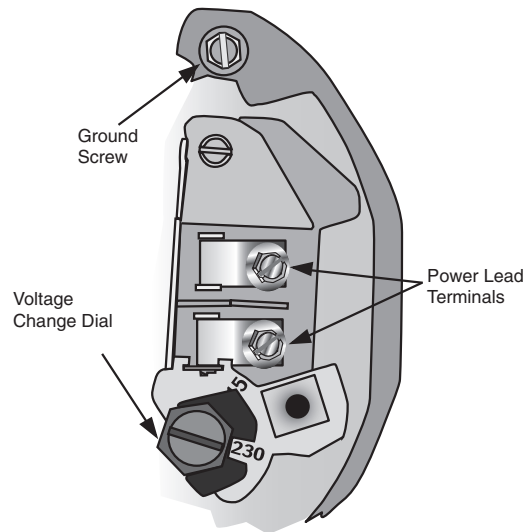


Figure 12: Voltage Adjustment Dial

3. Attach the power lead wires to the power lead terminals. Make sure the wires are secure.
 4. Attach the ground wire to the green ground screw
 5. Reinstall the Motor end cover
- Go to Wiring Connections below.

⚠ WARNING Hazardous voltage. Can shock, burn, or kill. Connect ground wire before connecting power supply wires. Use the wire size (including the ground wire) specified in the wiring chart. Connect the pump to its own dedicated branch circuit with no other appliances on it.

⚠ WARNING Explosion hazard. Do not ground to a gas supply line.

WIRING CONNECTIONS

▲WARNING **Fire hazard.** Incorrect voltage can cause a fire or seriously damage the motor and voids the warranty. The supply voltage must be within ±10% of the motor nameplate voltage.

NOTICE: Dual-voltage motors are factory wired for 230 volts. If necessary, reconnect the motor for 115 volts, as shown. Do not alter the wiring in single voltage motors.

Install, ground, wire, and maintain your pump in compliance with the National Electrical Code (NEC) or the Canadian Electrical Code (CEC), as applicable, and with all local codes and ordinances that apply. Consult your local building inspector for code information.

Connection Procedure:

1. Connect the ground wire first as shown in Figure 13. The ground wire must be a solid copper wire at least as large as the power supply wires.
2. There must be a solid metal connection between the pressure switch and the motor for motor grounding protection. If the pressure switch is not connected to the motor, connect the green ground screw in the switch to the green ground screw under the motor end cover. Use a solid copper wire at least as large as the power supply wires.
3. Connect the ground wire to a grounded lead in a service panel, to a metal underground water pipe, to a metal well casing at least ten feet (3M) long, or to a ground electrode provided by the power company or the hydro authority.
4. Connect the power supply wires to the pressure switch as shown in Figure 13.

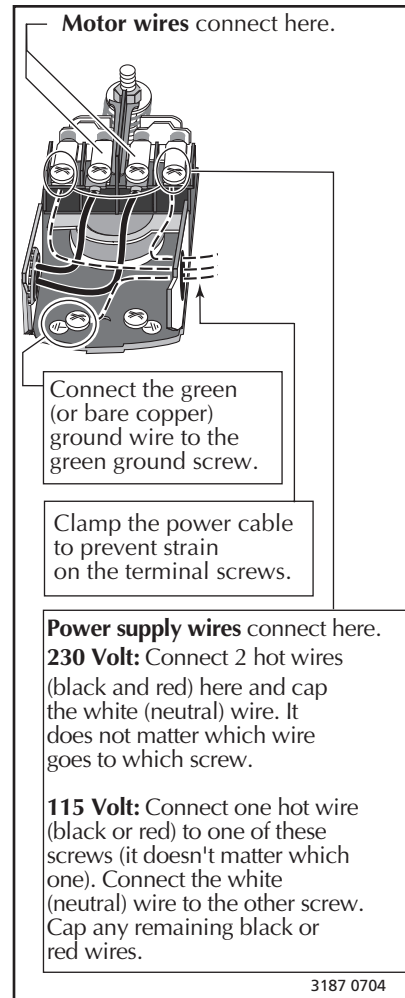


Figure 13: Pressure Switch

Wiring Chart – Recommended Wire and Fuse Sizes

Model	HP	Max Load Amps	Branch Fuse Rating Amps	Distance in Feet (Meters); Wire Size AWG (mm ²)				
				0-100 (0-30)	101-200 (31-61)	201-300 (62-91)	301-400 (92-122)	401-500 (123-152)
115 Volts:								
2805E-01	1/2	9.9	15	14(2)	12(3)	10(5.5)	8(8.4)	8(8.4)
2806E-01	1/2	9.9	20	12(3)	10(5.5)	8(8.4)	6(14)	6(14)
2810E-01	3/4	12.4	20	12(3)	10(5.5)	8(8.4)	6(14)	6(14)
2815E-01	1	14.8	20	12(3)	8(8.4)	6(14)	6(14)	4(21)
230 Volts:								
2806E-01	1/2	4.95	15	14(2)	14(2)	14(2)	12(3)	12(3)
2810E-01	3/4	6.2	15	14(2)	14(2)	14(2)	12(3)	12(3)
2815E-01	1	7.4	15	14(2)	14(2)	14(2)	12(3)	10(5.5)

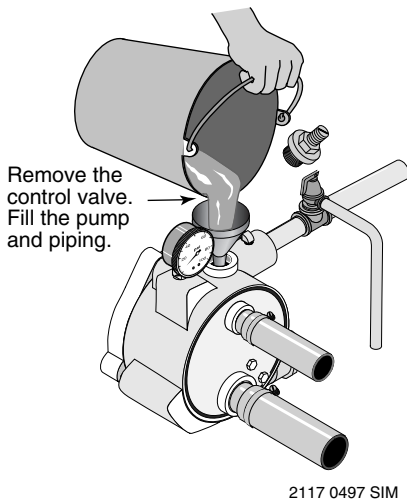


Figure 14: Fill Pump

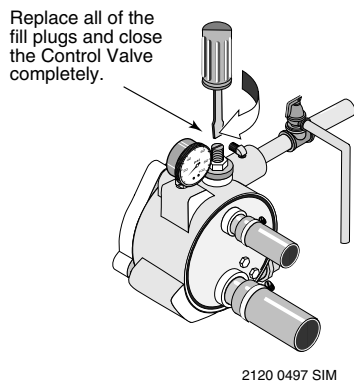


Figure 15: Replace the Fill Plugs and Control Valve

⚠ CAUTION **Burn hazard. Never the run pump dry.** Running the pump without water may cause pump to overheat, damaging seal and possibly causing burns to persons handling pump. Fill pump with water before starting.

⚠ WARNING **Hazardous pressure. Risk of explosion.** Never run the pump against a closed discharge. To do so can boil water inside pump, causing hazardous pressure in unit, risk of explosion and possibly scalding persons handling pump.

1. Remove the control valve and fill the pump (see Figure 14). Fill all piping between the pump and the well, and make sure that all piping in the well is full. If you have also installed a priming tee in the suction piping, remove the plug from the tee and fill the suction piping.
2. Replace the fill plugs and the control valve completely (see Figure 15).
3. Power on! Start the pump and watch the pressure gauge. The pressure should build rapidly to 40 PSI (Models (2805/6/10E) or 50 PSI (Model 2815E), as the pump primes.
4. After 2 or 3 minutes, the gauge should show pressure. If not, stop the pump, remove the fill plugs, reopen the control valve, and refill the pump and piping. You may have to repeat this two or three times in order to get all the trapped air out of the piping. Don't forget to close the control valve each time before you start the pump.
5. When the pressure has built up and stabilized at about 40 PSI (Models (2805/6/10E) or 50 PSI (Model 2815E), slowly open the control valve (see Figure 14) and let the pressure drop until the pressure gauge needle starts to flutter. When the needle flutters, close the valve just enough to stop the flutter. Your pump is now operating at its most efficient point.
6. After the pump has built up pressure in the system and shut off, check the pressure switch operation by opening a faucet or two and running enough water out to bleed off the pressure until the pump starts. The pump should start when the pressure drops to 20 PSI (Models (2805/6/10E) or 30 PSI (Model 2815E) and stop when the pressure reaches 40 PSI (Models (2805/6/10E) or 50 PSI (Model 2815E)). Run the pump through one or two complete cycles to verify the correct operation. This will also help clean the system of dirt and scale dislodged during installation.

Congratulations on a successful installation.

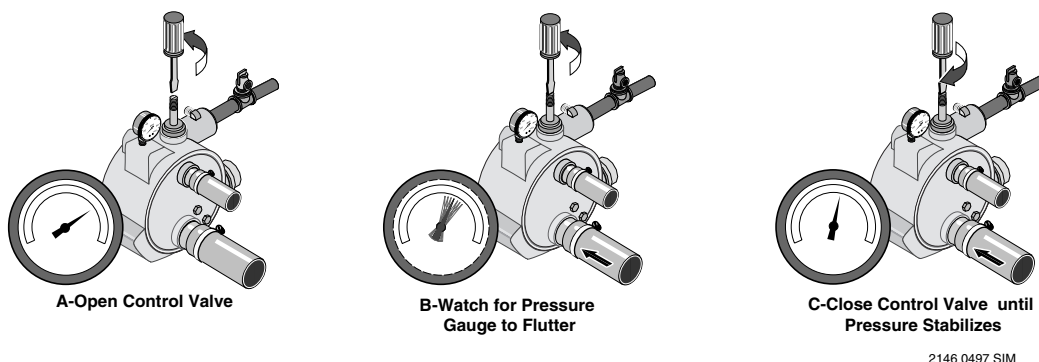


Figure 16: Set Control Valve

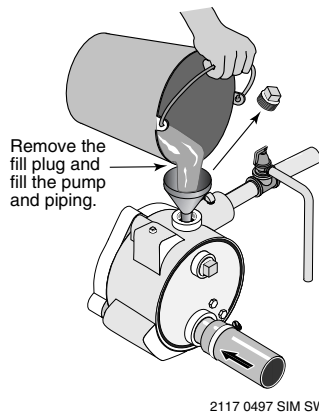


Figure 17: Remove the Fill Plug and Fill the Pump

If you were unsuccessful, please refer to the Troubleshooting section or call our customer service technical staff.

CAUTION Burn hazard. Never run pump dry. Running the pump without water may cause the pump to overheat, damaging the seal and possibly causing burns to persons handling the pump. Fill the pump with water before starting.

WARNING Hazardous pressure. Risk of explosion. Never run pump against closed discharge. To do so can boil water inside pump, causing hazardous pressure in unit, risk of explosion and possibly scalding persons handling pump.

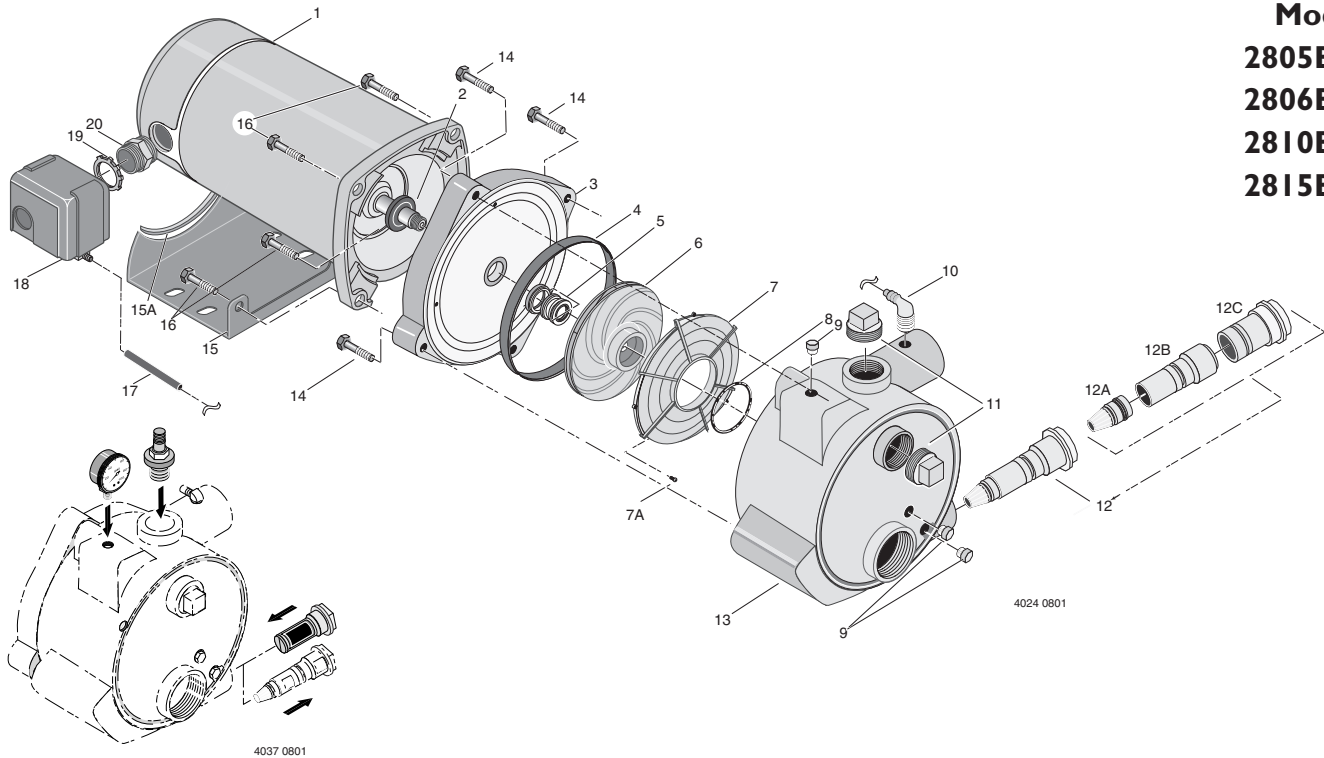
1. Remove the fill plug and fill the pump (see Figure 17). Fill all piping between the pump and the well, and make sure that all piping in the well is full. If you have also installed a priming tee in the suction piping, remove the plug from the tee and fill the suction piping.
2. Replace the fill plug.
3. Power on! Start the pump. The pump should pump water in two or three minutes.
4. If you don't have water after 2 or 3 minutes, stop the pump and remove the fill plugs. Refill the pump and piping. You may have to repeat this two or three times in order to get all of the trapped air out of the piping.
5. After the pump has built up pressure in the system and shut off, check the pressure switch operation by opening a faucet or two and running enough water out to bleed off pressure until the pump starts. The pump should start when the pressure drops to 30 PSI and should stop when pressure reaches 50 PSI. Run the pump through one or two complete cycles to verify correct operation. This will also help clean the system of dirt and scale dislodged during installation.

Congratulations on a successful installation.

If you were unsuccessful, please refer to the Troubleshooting section or call our customer service technical staff.

SYMPTOM	POSSIBLE CAUSE(S)	CORRECTIVE ACTION
Motor will not run	<p>Disconnect switch is off Fuse is blown or circuit breaker tripped Starting switch is defective Wires at motor are loose, disconnected, or wired incorrectly</p> <p>Pressure switch contacts are dirty</p>	<p>Be sure switch is on Replace fuse or reset circuit breaker DISCONNECT POWER; Replace starting switch Refer to instructions on wiring (Pages 8 and 9). DISCONNECT POWER; check and tighten all wiring.</p> <p>⚠️WARNING Capacitor voltage may be hazardous. To discharge capacitor, hold insulated handle screwdriver BY THE HANDLE and short capacitor terminals together. Do not touch metal screwdriver blade or capacitor terminals. If in doubt, consult a qualified electrician. DISCONNECT POWER and file contacts with emery board or nail file.</p>
Motor runs hot and overload kicks off	<p>Motor is wired incorrectly Voltage is too low</p> <p>Pump cycles too frequently</p>	<p>Refer to instructions on wiring Check with power company. Install heavier wiring if wire size is too small (See Electrical / Wiring Chart). See section below on too frequent cycling</p>
<p>Motor runs but no water is delivered*</p> <p>* (Note: <i>Stop pump</i>; then check prime before looking for other causes. Unscrew priming plug and see if water is in priming hole).</p>	<p>Pump in new installation did not pick up prime through: 1. Improper priming 2. Air leaks 3. Leaking foot valve or check valve</p> <p>Pump has lost prime through: 1. Air leaks 2. Water level below suction pipe inlet</p> <p>Foot valve or strainer is plugged Ejector or impeller is plugged Check valve or foot valve is stuck shut Pipes are frozen Foot valve and/or strainer are buried in sand or mud Water level is too low for shallow well setup to deliver water</p>	<p>In new installation:</p> <ol style="list-style-type: none"> 1. Re-prime according to instructions 2. Check all connections on suction line, AVC and ejector 3. Replace foot valve or check valve <p>In installation already in use:</p> <ol style="list-style-type: none"> 1. Check all connections on suction line and shaft seal 2. Lower suction line into water and re-prime. If receding water level in well exceeds suction lift, a deep well pump is needed. <p>Clean foot valve or strainer Clean ejector or impeller Replace check valve or foot valve Thaw pipes. Bury pipes below frost line. Heat pit or pump house. Raise foot valve and/or strainer above bottom of water source. Clean foot valve and strainer. A deep well jet package may be needed (over 25 ft. to water) to deliver water</p>
Pump does not deliver water to full capacity	<p>Water level in deep well is lower than estimated Steel piping (if used) is corroded or limed, causing excess friction Piping is too small in size</p>	<p>Replace nozzle and venturi with correct combination for the well; lower the ejector to correct level in the well Replace with plastic pipe where possible, otherwise with new steel pipe</p> <p>Use larger piping</p>
Pump delivers water but does not shut off or pump cycles too frequently	<p>Pressure switch is out of adjustment or contacts are welded together Faucets have been left open Venturi, nozzle or impeller is clogged Water level in deep well is lower than estimated Standard pressure tank is waterlogged and has no air cushion Pipes leak Foot valves leak Air charge too low in pre-charged tank</p>	<p>DISCONNECT POWER; adjust or replace pressure switch</p> <p>Close faucets Clean venturi, nozzle or impeller</p> <p>Replace nozzle and venturi with correct combination for the well Drain tank to air volume control port. Check AVC for defects. Check for air leaks at any connection. Check connections Replace foot valve DISCONNECT POWER and open faucets until all pressure is relieved Using tire pressure gauge, check air pressure in tank at valve stem located on the tank. If less than pressure switch cut-in setting (30-50 PSI), pump air into tank from outside source until air pressure is 2 PSI less than cut-in setting of switch. Check air valve for leaks (use soapy solution) and replace core if necessary.</p>
Air spurts from faucets	<p>Pump is picking up prime Leak in suction side of pump Well is gaseous Intermittent over-pumping of well. (Water drawn down below foot valve.)</p>	<p>When pump picks up prime, all air will be ejected Suction pipe is sucking air. Check joints for leaks. Consult factory about installing a sleeve in the well Lower foot valve if possible, otherwise restrict pump discharge</p>

Models
2805E-01
2806E-01
2810E-01
2815E-01

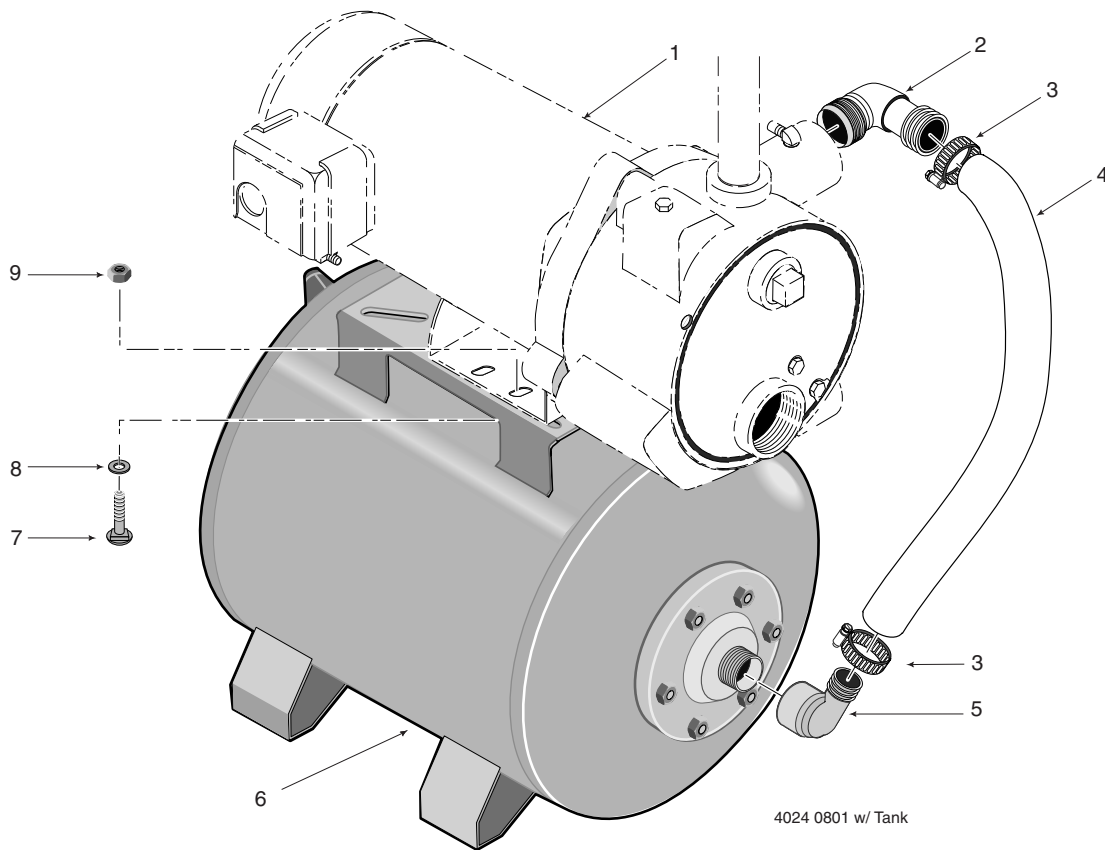


Model MDWC Deep Well Conversion Kit - Purchase Separately.

Key No.	Part Description	Qty.	2805E-01 2806E-01 1/2 HP	2810E-01 3/4 HP	2815E-01 1 HP
1	Motor	1	J218-577PKG	J218-590PKG	J218-596PKG
2	Water Slinger	1	17351-0009	17351-0009	17351-0009
3	Seal Plate	1	L3-28	L3-28	L3-28A
4	Seal Plate Gasket	1	345-038	345-038	345-038
5	Shaft Seal	1	U109-6A	U109-6A	U109-6A
6	Impeller	1	C105-258P	C105-258PA	C105-258PB
7	Diffuser	1	595-110	595-110	595-109
7A	Screws, Diffuser	3	670-698	670-698	670-698
8	Diffuser O-Ring	1	546-032	546-032	546-032
9	Pipe Plug, 3/4" NPT, Hex Head	3	U78-941ZPV	U78-941ZPV	U78-941ZPVP
10	Quick Connect – Elbow	1	U111-212T	U111-212T	U111-212T
11	Pipe Plug, 1" NPT Square Head	2	U78-61GPS	U78-61GPS	U78-61GPS
12	Shallow Well Injector Assembly	1	992-872	992-873	992-874
12A	Nozzle	1	541-010	541-008	541-009
12B	Venturi Tube	1	830-057	830-055	830-056
12C	Deep Well Cap	1	143-093	143-093	143-093
13	Pump Body	1	404-144	404-144	404-144
14	Capscrews, 3/8-16x1-3/4"	4	U30-75ZP	U30-75ZP	U30-75ZP
15	Base	1	J104-9	J104-9	J104-9
15A	Motor Pad	1	C35-5	C35-5	C35-5
16	Capscrew, 3/8-16x1"	2	U30-74ZP	U30-74ZP	U30-74ZP
17	Tubing, Pressure Switch	1	U37-673ZP	U37-673ZP	U37-673ZP
18	Pressure Switch	1	U217-1218	U217-1218	U217-1202
19	Lock Nut	1	U36-112ZP	U36-112ZP	U36-112ZP
20	Connector	1	L43-5C	L43-5C	L43-5C

Purchase Deep Well Conversion Kit, Model MDWC, separately. Kit includes Deep Well Plug (replaces Shallow Well Injector), Control Valve (replaces Fill Plug), and Pressure Gauge.

**Model
2806E-01**



Key No.	Part Description	Qty.	2806E-01 1/2 HP
1	Pump	1	†
2	Fitting, PVC	1	322-006
3	Clamp, Hose	2	U19-55SS
4	Hose, Clear	1	403-005
5	Fitting, 90 Deg.	1	322-004
6	Tank, HT7, 15 Gal. Horiz.	1	HT7-02
7	Carriage Bolt, 5/16 -18 X 1-1/4"	2	U30-231ZP
8	Washer, 3/8" Reg. 1-7/16"	2	U43-62ZP
9	Nut, 5/16 -18	2	U36-37ZP
**	Pump/Tank Assembly	1	992-871

† For pump parts see the Previous Page.

** Includes Key Numbers 2, 3, 5, 7, 8, and 9,
plus No. 992-872 Shallow Well Injector Assembly.

LIRE TOUTES CES INSTRUCTIONS ET LES SUIVRE!

⚠ Ce symbole indique qu'il faut être prudent. Lorsque ce symbole apparaît sur la pompe ou dans cette Notice, rechercher une des mises en garde qui suivent, car elles indiquent un potentiel possible de blessures corporelles :

⚠ DANGER avertit d'un danger **qui causera** des blessures corporelles, la mort ou des dommages matériels importants si on l'ignore.

⚠ AVERTISSEMENT avertit d'un danger **qui risque** de causer des blessures corporelles, la mort ou des dommages matériels importants si on l'ignore.

⚠ ATTENTION avertit d'un danger qui **causera** ou qui **risquera** de causer des blessures corporelles, la mort ou des dommages matériels importants si on l'ignore.

Le mot **NOTA** indique des instructions spéciales et importantes n'ayant aucun rapport avec les dangers.

Lire attentivement toutes les consignes de sécurité contenues dans cette Notice ou collées sur la pompe.

Garder les autocollants de sécurité en bon état; les remplacer s'ils manquent ou s'ils ont été endommagés.

⚠ AVERTISSEMENT



Tension dangereuse. Risque de secousses électriques, de brûlures, voire de mort.

Mettre à la terre la pompe avant de la brancher sur le courant électrique. Couper l'arrivée de courant avant d'intervenir sur la pompe, sur le moteur ou sur le réservoir.

⚠ Câbler le moteur en fonction de la bonne tension. Voir la Section «Électricité» de cette Notice et la plaque signalétique du moteur.

⚠ Mettre à la terre le moteur avant de le brancher sur le courant électrique.

⚠ Conforme au Code national de l'électricité, au Code canadien de l'électricité et aux codes municipaux pour tous les câblages.

⚠ Respecter les instructions de câblage figurant dans cette Notice lorsque l'on branche le moteur sur une ligne haute tension.

SÉCURITÉ CONCERNANT L'ÉLECTRICITÉ

⚠ AVERTISSEMENT **Tension dangereuse. Risque de secousses électriques, de brûlures, voire de mort.** La tension du condensateur peut être dangereuse. Pour décharger le condensateur du moteur, tenir un tournevis à manche isolé **PAR LE MANCHE** et mettre en court-circuit les bornes du condensateur. Ne pas toucher la lame métallique du tournevis ni les bornes du condensateur. En cas de doute, consulter un électricien qualifié.

SÉCURITÉ GÉNÉRALE

⚠ ATTENTION **Risque de brûlures. Ne pas toucher un moteur qui fonctionne.** Les moteurs modernes sont conçus pour fonctionner par des températures élevées. Pour ne pas se brûler lorsque l'on interviendra sur la pompe, la laisser refroidir pendant 20 minutes après l'avoir arrêtée avant de la toucher.

Ne pas laisser geler la pompe ni aucun autre élément du système, sinon la garantie sera annulée.

Ne pomper que de l'eau avec cette pompe.

Périodiquement, inspecter la pompe et tous les éléments du système.

Toujours porter des lunettes de sécurité lorsque l'on intervient sur une pompe.

Garder la zone de travail propre, non encombrée et bien éclairée; tous les outils et tout l'équipement non utilisés doivent être entreposés correctement.

Ne pas laisser les visiteurs s'approcher de la zone de travail.

⚠ AVERTISSEMENT **Pression dangereuse. Risque d'explosion.** Le corps de la pompe peut exploser si la pompe est utilisée en tant que pompe de surpression, à moins qu'une soupape de sûreté pouvant laisser passer le débit maximum de la pompe à 75 lb/po² soit posée.



⚠ AVERTISSEMENT

Pression dangereuse!
Poser une soupape de sûreté sur le tuyau de refoulement.

Dissiper toute la pression du système avant d'intervenir sur un élément.

Merci d'avoir acheté une pompe de qualité supérieure mise à l'essai à l'usine.

	Page
Consignes de sécurité générales.....	15
Garantie.....	16
Remplacement d'une pompe existante	17
Installation sur un nouveau puits peu profond	18 et 19
• Installation de la pointe filtrante	
• Installation sur un puits tubé de 2 pouces de diamètre ou plus grand	
• Installation dans le cas d'eaux de surface	
Installation sur un nouveau puits profond	19 et 20
• Puits de 4 pouces de diamètre ou plus grand	
• Puits de 2 pouces	
• Branchement sur un réservoir préchargé	
• Branchement sur un réservoir standard	
Électricité.....	21 et 22
Préparations avant le démarrage de la pompe - Puits profond	23
Préparations avant le démarrage de la pompe - Puits peu profond	24
Recherche des pannes	25
Pièces de rechange	26 et 27

ATTACHER LE REÇU D'ORIGINE ICI À DES FINS DE GARANTIE

SIMER garantit à l'acheteur-utilisateur initial de ses produits ("Acheteur") contre tout défaut de fabrication et de matériaux.

Tout produit reconnu défectueux dans les douze (12) mois qui suivent la date d'achat d'origine sera remplacé ou réparé à la discrétion de SIMER, selon les conditions stipulées ci-dessous. La preuve d'achat est exigée pour déterminer l'admissibilité à la garantie.

Exceptions à la garantie de douze (12) mois

Produits/N° de modèle	Période de garantie
M40P, M80, BW85P, CM10, CMK	90 jours
2330, 2300, 2955, 2957, A5500	2 ans
4" Submersible Well Pumps, 3984, 3983, 2975PC, 2958, 3075SS	3 ans
Pre-Charge Water System Tank, 3986, 3985, 2956, 2960	5 ans
3988, 3995, 3997, 3963	À vie

Conditions générales

L'Acheteur s'engage à payer tous les frais de main-d'œuvre et d'expédition nécessaires au remplacement du produit couvert par la garantie. Cette garantie ne couvrira pas les cas de force majeure, et ne s'appliquera pas aux produits qui, du seul avis de SIMER, ont fait l'objet de négligence, d'utilisation abusive ou incorrecte, d'accident, de modification ou d'altération ; ni aux produits qui n'ont pas été installés, utilisés, entreposés ou entretenus correctement ; ni à ceux qui n'ont pas été utilisés ou entretenus normalement, y compris, mais sans s'y limiter, aux produits ayant des pannes de fonctionnement causées par la corrosion, la rouille ou autre corps étranger dans le système, ou à des produits ayant fonctionné à des pressions dépassant la limite maximale recommandée.

Les demandes de service en vertu de la présente garantie seront faites en retournant le produit défectueux au détaillant ou à SIMER dès la découverte de tout défaut allégué. SIMER prendra alors les mesures correctives aussi rapidement qu'il est raisonnablement possible. Aucune demande de service en vertu de la présente garantie ne sera acceptée si elle est reçue plus de 30 jours après l'expiration de la dite garantie.

La présente garantie énonce la totalité des obligations de SIMER et le seul recours possible de l'Acheteur dans le cas de produits défectueux.

SIMER NE SERA TENU RESPONSABLE D'AUCUN DOMMAGE INDIRECT, ACCIDENTEL OU FORTUIT QUEL QU'IL SOIT.

LES PRÉSENTES GARANTIES SONT EXCLUSIVES ET TIENNENT LIEU DE TOUTE AUTRE GARANTIE EXPRESSE. LES GARANTIES IMPLICITES, Y COMPRIS, MAIS SANS S'Y LIMITER, LES GARANTIES IMPLICITES AYANT TRAIT À LA COMMERCIALISABILITÉ ET À L'ADAPTATION À UN USAGE PARTICULIER, NE DÉPASSERONT PAS LA DURÉE DES GARANTIES EXPRESSES APPLICABLES STIPULÉES DANS LES PRÉSENTES.

Certaines provinces n'autorisent pas d'exclure ou de limiter les dommages fortuits ou indirects ou de limiter la durée d'une garantie implicite ; il se peut donc que les limitations ou exclusions ci-dessus ne s'appliquent pas à votre cas. La présente garantie vous donne des droits juridiques spécifiques et vous pouvez en avoir d'autres qui varient d'une province à l'autre.

SIMER • 293 Wright Street • Delavan, WI U.S.A. 53115

Téléphone: 1-800-468-7867/1-800-546-7867 • Télécopieur: 1-800-390-5351

Courrier électronique: info@simerpumps.com • Site Web: <http://www.simerpumps.com>

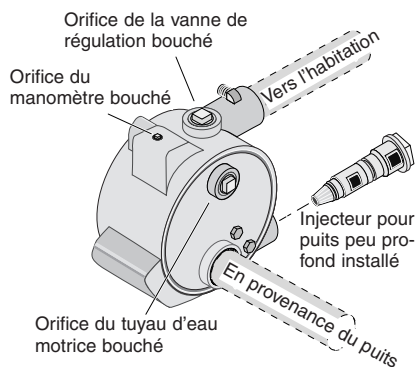


Figure 1 : Branchement sur un puits peu profond

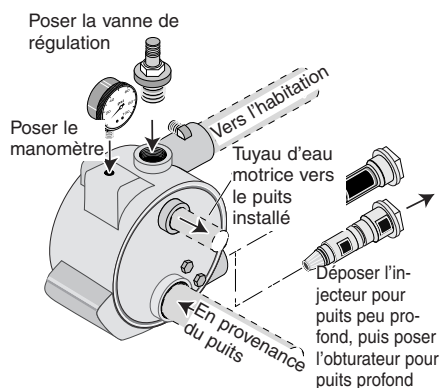


Figure 2 : Branchement sur un puits peu profond

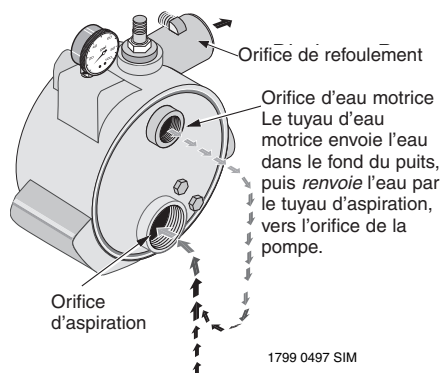


Figure 3 : Fonctions d'aspiration et de l'eau motrice sur un puits peu profond

PUITS PEU PROFOND (Figure 1)

⚠ AVERTISSEMENT Tension dangereuse. Risque de secousses électriques, de brûlures, voire de mort. Couper le courant alimentant la pompe avant d'intervenir sur la pompe ou sur le moteur.

1. Vider toute l'eau de l'ancienne pompe; déposer l'ancienne pompe. Vérifier la tuyauterie à la recherche de dépôts de tartre, de chaux, de rouille, etc.; remplacer la tuyauterie au besoin.
2. Brancher la pompe sur le système (Se reporter aux Figures 4, 5 et 6). S'assurer que tous les raccords du tuyau d'aspiration sont bien étanches, aussi bien à l'air qu'à l'eau. Si le tuyau d'aspiration aspire de l'air, la pompe ne pompera pas l'eau du puits.
3. Régler la hauteur de montage de la pompe de façon que les raccords de plomberie n'exercent aucune contrainte sur le corps de la pompe. Supporter les tuyaux de façon que le corps de la pompe ne supporte pas le poids de la tuyauterie, ni celui des raccords.

PUITS PROFOND

⚠ AVERTISSEMENT Tension dangereuse. Risque de secousses électriques, de brûlures, voire de mort. Couper le courant alimentant la pompe avant d'intervenir sur la pompe ou sur le moteur.

1. Vider toute l'eau de l'ancienne pompe; déposer l'ancienne pompe. Vérifier la tuyauterie à la recherche de dépôts de tartre, de chaux, de rouille, etc.; remplacer la tuyauterie au besoin.
2. Poser une vanne de régulation, un manomètre et un obturateur pour puits profond dans le corps de la pompe (cette trousse doit être achetée séparément; se reporter à la Figure 2). Lorsque l'on procède au branchement sur la tête du puits, s'assurer de brancher un petit orifice sur un petit orifice (eau motrice) et un grand orifice sur un grand orifice (aspiration). Au besoin, utiliser des tuyaux flexibles et les tordre pour pouvoir procéder aux bons branchements.
3. Le tuyau d'aspiration (le plus grand orifice) des pompes Simer se trouve sous l'orifice de l'eau motrice (Se reporter aux Figures 2 et 3).
4. Brancher la pompe sur le système. S'assurer que tous les raccords du tuyau d'aspiration sont bien étanches, aussi bien à l'air qu'à l'eau. Si le tuyau d'aspiration aspire de l'air, la pompe ne pompera pas l'eau du puits.
5. Régler la hauteur de montage de la pompe de façon que les raccords de plomberie n'exercent aucune contrainte sur le corps de la pompe. Supporter les tuyaux de façon que le corps de la pompe ne supporte pas le poids de la tuyauterie, ni celui des raccords.

NOTA : L'ancien éjecteur (celui qui est dans le puits) ne s'assortira peut-être pas bien à la pompe neuve. Si le débit de la pompe neuve n'est pas adéquat, nous recommandons de poser un nécessaire d'éjecteur Simer MDWE (pour puits de 4 pouces) ou un système d'éjecteur Simer MDWA (pour puits tubé de 2 pouces).

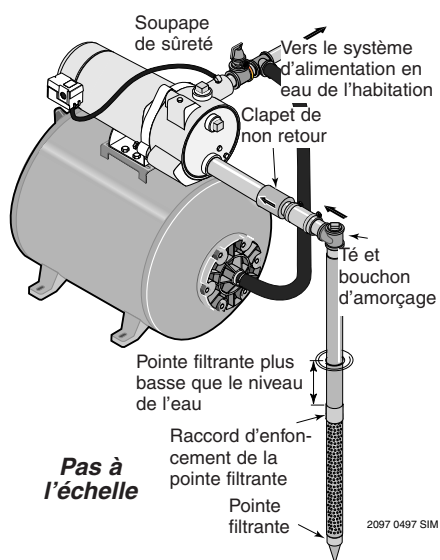


Figure 4 : Installation type sur une pointe filtrante

INSTALLATIONS DE LA POMPE À ÉJECTEUR SUR UN PUITTS PEU PROFOND

- La profondeur verticale entre la pompe et l'eau pompée ne doit pas dépasser 25 pieds.
- Un seul tuyau entre le puits et le corps de la pompe.
- Peut être installé sur un puits foré ou sur une pointe filtrante.

INSTALLATION DE LA POINTE FILTRANTE (Figure 4)

1. Enfoncer la pointe dans le sol, en utilisant des «raccords d'enfoncement» et des «chapeaux de battage». Les «raccords d'enfoncement» sont filetés sur toute leur longueur, ce qui permet aux extrémités des tuyaux de venir en butée l'une contre l'autre de façon que la force d'enfoncement du maillet soit absorbée par le tuyau et non pas par les filets. Les raccords ordinaires que l'on trouve dans les quincailleries ne sont pas filetés sur toute leur longueur et ils risquent de s'écraser sous l'impact des coups. Les «raccords d'enfoncement» sont également plus lisses que les raccords de plomberie standard, ce qui leur permet de pénétrer plus facilement dans le sol.
2. Installer la pompe aussi près que possible du puits.
3. Utiliser le moins possible de raccords (en particulier des coudes) pour brancher la tuyauterie de la pointe filtrante sur l'orifice d'aspiration de la pompe. Le diamètre du tuyau d'aspiration doit être au moins aussi grand que le diamètre de l'orifice d'aspiration de la pompe (y compris le clapet de non retour – Se reporter à la Figure 5). Supporter le tuyau de façon qu'il ne fléchisse pas et qu'il n'exerce pas de contraintes sur le corps de la pompe; de plus, il doit être légèrement incliné vers le haut, du puits jusqu'à la pompe (les points hauts risquent de causer des poches d'air, lesquelles peuvent causer des bouchons d'air dans la pompe). Rendre étanches les raccords du tuyau d'aspiration avec du ruban d'étanchéité en téflon ou une pâte pour raccords filetés à base de téflon. Les raccords doivent être étanches à l'air et à l'eau. Si le tuyau d'aspiration aspire de l'air, la pompe ne pompera pas l'eau du puits. Si une pointe filtrante ne fournit pas suffisamment d'eau, considérer brancher deux ou trois pointes filtrantes sur un même tuyau d'aspiration.

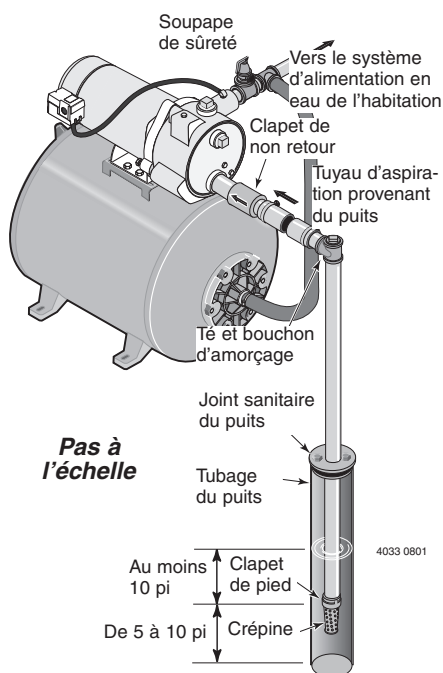


Figure 5 : Installation type sur un puits tubé

INSTALLATION SUR UN PUITTS TUBÉ DE 2 POUCES DE DIAMÈTRE OU PLUS GRAND (Figure 5)

1. Installer la pompe aussi près que possible du puits.
2. Brancher le clapet de pied, la crépine et le tuyau du puits (Se reporter à la Figure 6). S'assurer que le clapet de pied fonctionne librement.
3. Abaisser le tuyau dans le puits jusqu'à ce que la crépine soit à cinq pieds du fond du puits. Pour que la pompe n'aspire pas d'air, la crépine doit être au moins à 10 pieds sous le niveau de l'eau du puits pendant que la pompe fonctionne. Poser un joint sanitaire sur le puits.
4. Poser un té d'amorçage et un bouchon d'amorçage sur la pompe, puis brancher le tuyau d'aspiration sur la pompe. Brancher le tuyau provenant du puits sur l'orifice d'aspiration de la pompe en utilisant le moins possible de raccords - en particulier des coudes - étant donné que les raccords augmentent le frottement de l'eau dans les tuyaux. Le diamètre du tuyau d'aspiration doit être au moins aussi grand que le diamètre de l'orifice d'aspiration de la pompe. Utiliser du ruban d'étanchéité en téflon ou de la pâte pour raccords filetés à base de téflon sur les raccords filetés. Si le tuyau d'aspiration aspire de l'air, la pompe ne pompera pas l'eau du puits. Supporter le tuyau de façon qu'il ne fléchisse pas et qu'il n'exerce pas de contraintes sur le corps de la pompe; de plus, il doit être légèrement incliné vers le haut, du puits jusqu'à la pompe (les points hauts risquent de causer des poches d'air, lesquelles peuvent causer des bouchons d'air dans la pompe).

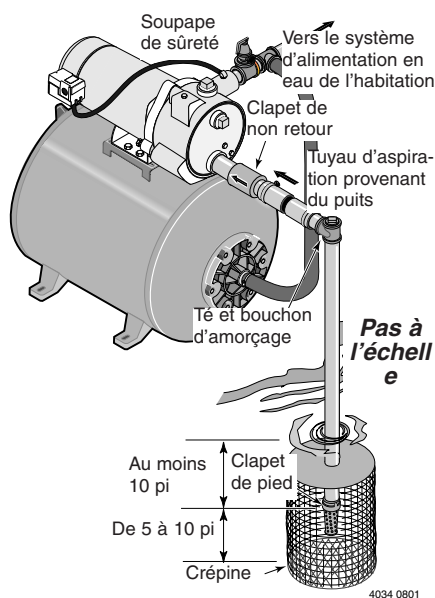


Figure 6 : Installation type sur une nappe d'eau libre

INSTALLATION DANS LE CAS D'EAUX DE SURFACE (Figure 5)

1. Installer la pompe aussi près que possible du puits en utilisant le moins possible de raccords (en particulier des coudes) sur le tuyau d'aspiration. Le diamètre du tuyau d'aspiration doit être au moins aussi grand que le diamètre de l'orifice d'aspiration de la pompe.
2. Assembler le clapet de pied et le tuyau d'aspiration. S'assurer que le clapet de pied fonctionne librement. Utiliser du ruban d'étanchéité en téflon. Poser une crépine autour du clapet de pied pour le protéger contre les poissons, les déchets, etc.
3. Abaisser le tuyau dans le puits jusqu'à ce que la crépine soit à cinq pieds du fond du puits. Pour que la pompe n'aspire pas d'air, la crépine doit être au moins à 10 pieds sous le niveau de l'eau du puits pendant que la pompe fonctionne.
4. Poser un té d'amorçage et un bouchon d'amorçage sur la pompe, puis brancher le tuyau d'aspiration sur la pompe. Supporter le tuyau de façon qu'il ne fléchisse pas et qu'il n'exerce pas de contraintes sur le corps de la pompe; de plus, il doit être légèrement incliné vers le haut, du puits jusqu'à la pompe (les points hauts risquent de causer des poches d'air, lesquelles peuvent causer des bouchons d'air dans la pompe). Rendre étanches les raccords du tuyau d'aspiration avec du ruban d'étanchéité en téflon ou une pâte pour raccords filetés à base de téflon. Les raccords doivent être étanches à l'air et à l'eau. Si le tuyau d'aspiration aspire de l'air, la pompe ne pompera pas l'eau du puits.

Installation sur un nouveau puits profond

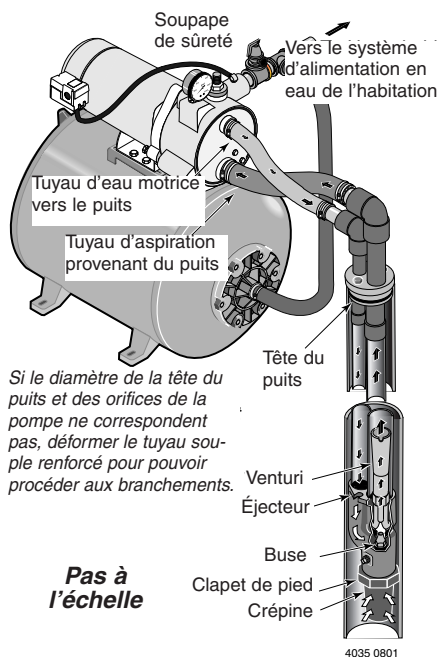


Figure 7 : Installation type sur un puits profond de 2 ou de 4 pouces

PUITS D'UN DIAMÈTRE DE 4 POUCHES OU PLUS GRAND (Figure 7)

1. Poser une vanne de régulation, un manomètre et un obturateur pour puits profond dans le corps de la pompe. Se reporter à la Figure 2. Acheter le nécessaire de conversion pour puits profond, modèle MDWC, pour obtenir ces pièces.
2. Installer la pompe aussi près que possible du puits.
3. Brancher un tuyau flexible entre la tête du puits et la pompe de façon à obtenir un bon branchement. Brancher le petit orifice sur le petit orifice et le grand orifice sur le grand orifice.

NOTA : L'orifice d'aspiration (le plus grand orifice) des pompes à éjecteur Simer se trouve sous l'orifice de l'eau motrice. Se reporter à la Figure 3.

4. Brancher le tuyau d'aspiration et le tuyau d'eau motrice sur la tuyauterie de l'éjecteur, puis abaisser l'éjecteur dans le puits jusqu'à ce qu'il soit à cinq pieds du fond du puits. Pour que la pompe n'aspire pas d'air, l'éjecteur doit également être à au moins 10 pieds sous le niveau de l'eau pendant que la pompe fonctionne.
5. Poser un joint sanitaire sur le puits, puis brancher la tuyauterie de l'éjecteur sur la pompe. Dans le cas de tuyaux en plastique souples, utiliser des mamelons en acier là où les tuyaux traversent le joint d'étanchéité du puits pour éviter d'écraser les tuyaux en plastique lors du serrage du joint.
6. Supporter le tuyau de façon qu'il ne fléchisse pas et qu'il n'exerce pas de contraintes sur le corps de la pompe; de plus, il doit être légèrement incliné vers le haut, du puits jusqu'à la pompe (les points hauts risquent de causer des poches d'air, lesquelles peuvent causer des bouchons d'air dans la pompe). Rendre étanches les raccords du tuyau d'aspiration avec du ruban d'étanchéité en téflon. Les raccords doivent être étanches à l'air et à l'eau. Si le tuyau d'aspiration aspire de l'air, la pompe ne pompera pas l'eau du puits.

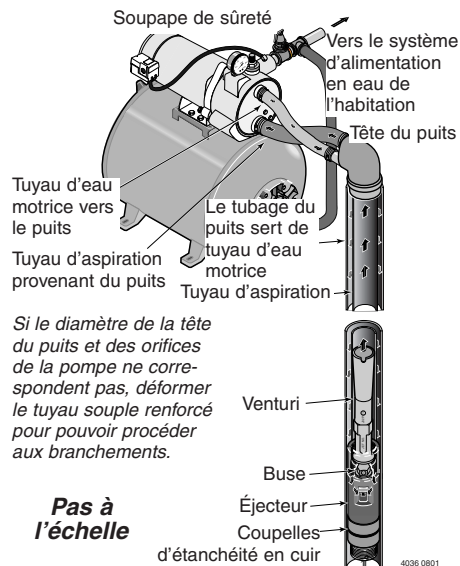


Figure 8 : Installation type sur un puits profond de 2 pouces

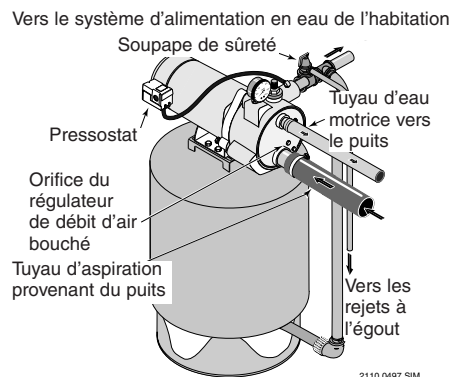


Figure 9 : Branchements sur un réservoir préchargé

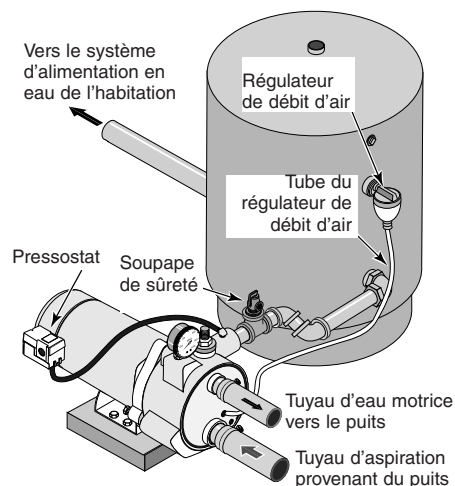


Figure 10 : Branchements sur un réservoir standard

PUITS DE 2 POUCES (Figure 8)

1. Poser une vanne de régulation, un manomètre et un obturateur pour puits profond dans le corps de la pompe. Se reporter à la Figure 2. Acheter le nécessaire de conversion pour puits profond, modèle MDWC, pour obtenir ces pièces.
2. Installer la pompe aussi près que possible du puits.
3. Brancher un tuyau flexible entre la tête du puits et la pompe de façon à obtenir un bon branchement. Brancher le petit orifice sur le petit orifice et le grand orifice sur le grand orifice.

NOTA : L'orifice d'aspiration (le plus grand orifice) des pompes à éjecteur Simer se trouve sous l'orifice de l'eau motrice. Se reporter à la Figure 3.

4. Brancher le tuyau d'eau motrice et le tuyau d'aspiration entre le puits et la pompe. Supporter le tuyau de façon qu'il ne fléchisse pas et qu'il n'exerce pas de contraintes sur le corps de la pompe; de plus, il doit être légèrement incliné vers le haut, du puits jusqu'à la pompe (les points hauts risquent de causer des poches d'air, lesquelles peuvent causer des bouchons d'air dans la pompe). Rendre étanches les raccords du tuyau d'aspiration avec du ruban d'étanchéité en téflon ou une pâte pour raccords filetés à base de téflon. Les raccords doivent être étanches à l'air et à l'eau. Si le tuyau d'aspiration aspire de l'air, la pompe ne pompera pas l'eau du puits.

BRANCHEMENT SUR UN RÉSERVOIR PRÉCHARGÉ (Figure 9)

Si un réservoir préchargé est utilisé sur le système d'eau, il devra être branché sur la pompe comme il est illustré à la Figure 9. La soupape de sûreté doit pouvoir laisser passer le débit maximum de la pompe à une pression de 100 lb/po².

Vérifier la précharge de l'air dans le réservoir à l'aide d'un manomètre pour pneus. La précharge se mesure *lorsqu'il n'y a pas de pression d'eau dans le réservoir*. Couper le courant alimentant la pompe, puis vider le réservoir avant de vérifier sa précharge. La pompe est équipée d'un pressostat qui fonctionne automatiquement entre 20 et 40 lb/po² (modèles 2805/6/10E) ou entre 30 et 50 lb/po² (modèle 2815E) de façon à toujours avoir une pression de précharge de 18 lb/po² (modèles 2805/6/10E) ou de 28 lb/po² (modèle 2815E) dans le réservoir. Autrement dit, la précharge doit être de 2 lb/po² inférieure au réglage de la pression de démarrage de la pompe par le pressostat.

AUCUN régulateur de débit d'air n'est requis sur les réservoirs préchargés; l'orifice de 1/4 de pouce NPT prévu à cet effet sur le corps de la pompe devra donc être bouché.

BRANCHEMENT SUR UN RÉSERVOIR STANDARD (Figure 10)

Si un réservoir standard est utilisé sur le système d'eau, il devra être branché sur la pompe comme il est illustré à la Figure 10. La soupape de sûreté utilisée avec un réservoir standard doit pouvoir laisser passer le débit maximum de la pompe à une pression de 75 lb/po².

Brancher le tube du régulateur de débit d'air sur l'orifice de 1/4 de pouce prévu à cet effet sur le corps de la pompe. Brancher le tube entre l'orifice du régulateur de débit d'air de la pompe et l'orifice du régulateur de débit d'air monté sur le réservoir. Pour plus de détails, se reporter aux instructions fournies avec le réservoir et le régulateur de débit d'air.

Étanchéité des raccords des tuyaux

Utiliser du ruban d'étanchéité en téflon ou de la pâte d'étanchéité pour raccords filetés à base de téflon pour rendre étanches les raccords branchés sur la pompe. **Ne pas utiliser de pâte pour raccords filetés sur les pompes en plastique**, car ces produits risquent de réagir avec le plastique des composants à la pompe. S'assurer que tous les raccords du tuyau d'aspiration sont bien étanches, aussi bien à l'air qu'à l'eau. *Si le tuyau d'aspiration aspire de l'air, la pompe ne pompera pas l'eau du puits.*

⚠ Tension dangereuse. Risque de secousses électriques, de brûlures, voire de mort. Couper le courant avant d'intervenir sur la pompe, sur le moteur, sur le pressostat ou sur le câblage.

RÉGLAGES DU COMMUTATEUR

MOTEUR

Les moteurs bitension (ceux qui fonctionnent sur le courant de 115 ou 230 volts) sont réglés à l'usine pour fonctionner sur le courant de 230 volts. Ne pas modifier ce réglage si la tension du secteur est de 230 volts ou si le moteur est à tension simple.

REMARQUE : Ne jamais brancher un moteur de 115 volts sur le courant de 230 volts.

REMARQUE : Câbler les moteurs à ventilation extérieure (TEFC) conformément au schéma de câblage figurant dans la boîte de jonction. S'assurer que le moteur est connecté en fonction du courant d'alimentation.

REMARQUE : Câbler les moteurs triphasés conformément au schéma de câblage figurant dans la boîte de jonction. S'assurer que le moteur est connecté en fonction du courant d'alimentation.

Dépose du couvercle de moteur

Si on prévoit brancher un moteur bitension sur le courant de 115 volts, procéder comme il est indiqué à la page suivante. Pour cela, le couvercle du moteur devra être déposé.

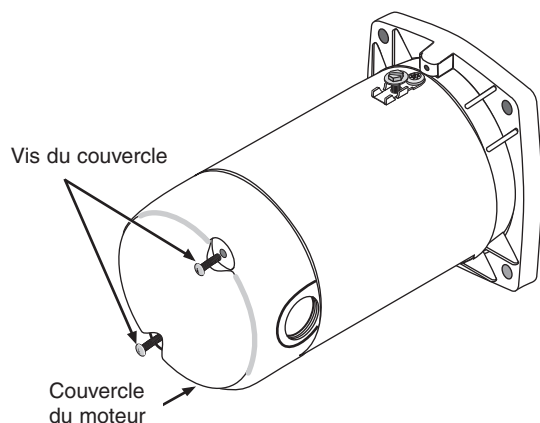


Figure 11: Pour déposer le couvercle du moteur

La plaquette à bornes du moteur (qui se trouve sous le couvercle du moteur) devrait ressembler à une de celles qui suivent.

Sélecteur de tension rotatif

Pour faire fonctionner le moteur sur le courant de 115 volts :

1. S'assurer que le courant est coupé.
2. Tourner le sélecteur à gauche jusqu'à ce que « 115 » soit indiqué dans son ouverture.

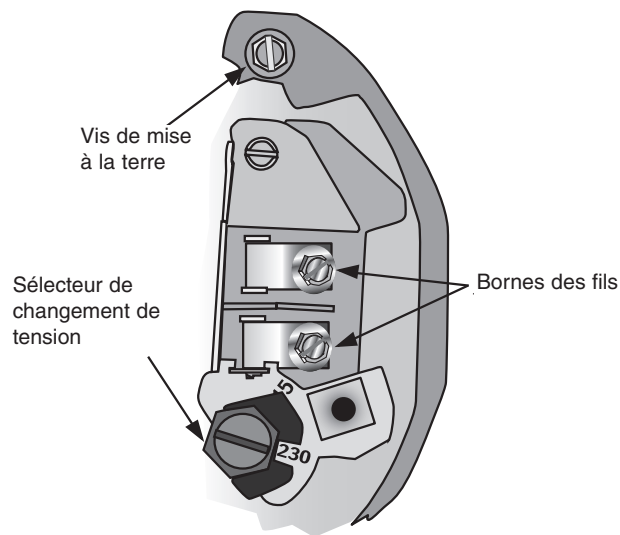


Figure 12: Sélecteur rotatif de modification de la tension

3. Brancher les fils d'alimentation sur les deux bornes. S'assurer qu'ils sont fermement retenus en place.
 4. Brancher le fil de mise à la terre sur la vis verte de mise à la terre.
 5. Reposer le couvercle du moteur.
- Passer à la rubrique « Câblage » ci-contre.

⚠ AVERTISSEMENT Tension dangereuse. Risque de secousses électriques, de brûlures, voire de mort. Brancher le fil de mise à la terre avant de brancher les fils d'alimentation en courant. Utiliser des fils (y compris le fil de mise à la terre) correspondant aux diamètres spécifiés dans le tableau de câblage. Brancher la pompe sur un circuit de dérivation séparé, sur lequel aucun autre appareil électrique ne sera branché.

⚠ AVERTISSEMENT Risque d'explosion. Ne pas mettre à la terre sur une conduite d'alimentation en gaz.

CONNEXIONS DU CÂBLAGE

▲ AVERTISSEMENT **Risque d'incendie.** Toute tension inadéquate risque de causer un incendie ou d'endommager sérieusement le moteur, ce qui annulera la garantie. La tension d'alimentation doit correspondre à $\pm 10\%$ à la tension indiquée sur la plaque signalétique du moteur.

NOTA : Les moteurs bitension sont câblés à l'usine pour fonctionner sur le 230 volts. Au besoin, reconnecter le moteur sur le courant de 115 volts en procédant comme il est indiqué. Ne pas modifier le câblage des moteurs à tension simple.

Installer, mettre à la terre, câbler et entretenir la pompe conformément au National Electrical Code (NEC) ou au Code canadien de l'électricité (CCE), selon le cas, et conformément à tous les règlements et codes de la municipalité en vigueur. Pour de plus amples renseignements, s'adresser à l'inspecteur des bâtiments de la municipalité.

Comment procéder à la connexion des conducteurs électriques :

1. Connecter tout d'abord le fil de mise à la terre, comme il est illustré à la Figure 13. Le fil de mise à la terre doit être un fil de cuivre massif dont le diamètre sera aussi gros que les fils de l'alimentation électrique.
2. Il doit y avoir une solide connexion métallique entre le pressostat et le moteur de façon à protéger le moteur en le reliant à la terre. Si le pressostat n'est pas connecté sur le moteur, raccorder la vis de mise à la terre du pressostat avec la vis de mise à la terre qui se trouve sous le couvercle d'extrémité du moteur. Utiliser un fil de cuivre massif dont le diamètre sera au moins aussi gros que les fils de l'alimentation électrique.
3. Connecter le fil de mise à la terre sur un fil mis à la terre, sur un tuyau d'eau métallique enterré ou sur le tubage métallique d'un puits dont la longueur sera d'au moins dix pieds (3 mètres) ou sur une électrode de mise à la terre fournie par la compagnie d'électricité.
4. Brancher les fils de l'alimentation électrique sur le pressostat, comme il est illustré à la Figure 13.

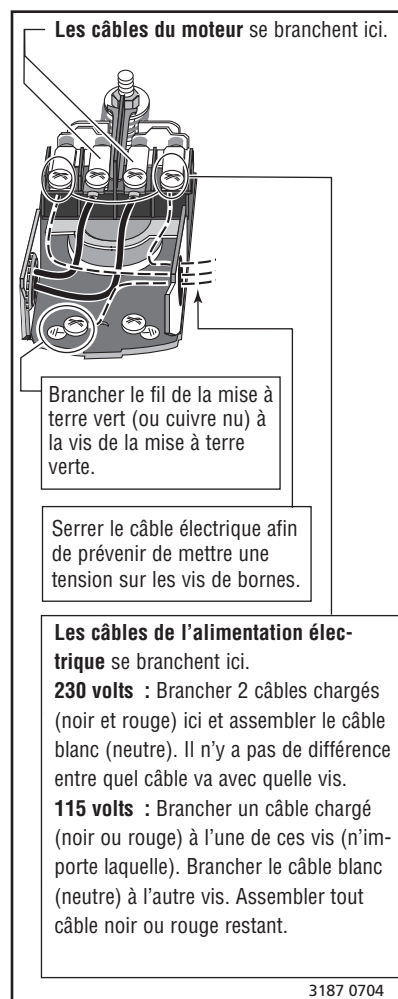
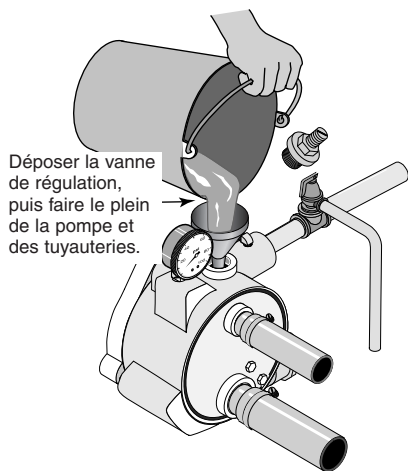


Figure 13: Pressostat

Tableau de câblage – Diamètres des fils et calibres des fusibles recommandés

Modèles	Puissance en ch	Charge max. en ampères	Intensité en ampères du fusible du circuit de dérivation	Distance en pieds (en mètres); Calibre AWG des fils (en mm ²)				
				0-100 (0-30)	101-200 (31-61)	201-300 (62-91)	301-400 (92-122)	401-500 (123-152)
115 Volts :								
2805E-01	1/2	9,9	15	14(2)	12(3)	10(5,5)	8(8,4)	8(8,4)
2806E-01	1/2	9,9	20	12(3)	10(5,5)	8(8,4)	6(14)	6(14)
2810E-01	3/4	12,4	20	12(3)	10(5,5)	8(8,4)	6(14)	6(14)
2815E-01	1	14,8	20	12(3)	8(8,4)	6(14)	6(14)	4(21)
230 Volts :								
2806E-01	1/2	4,95	15	14(2)	14(2)	14(2)	12(3)	12(3)
2810E-01	3/4	6,2	15	14(2)	14(2)	14(2)	12(3)	12(3)
2815E-01	1	7,4	15	14(2)	14(2)	14(2)	12(3)	10(5,5)



Déposer la vanne de régulation, puis faire le plein de la pompe et des tuyauteries.

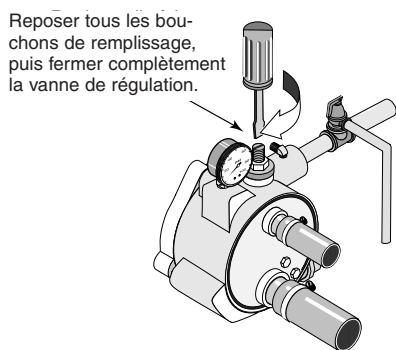
2117 0497 SIM

Figure 14 : Remplissage de la pompe

⚠ ATTENTION Risque de brûlures. Ne jamais faire fonctionner la pompe à sec. Faire fonctionner la pompe sans eau risque de causer une surchauffe de la pompe, les joints risquent d'être endommagés et les personnes qui manipuleront la pompe risqueront peut-être aussi de se brûler. Faire le plein d'eau de la pompe avant de la démarrer.

⚠ AVERTISSEMENT Pression dangereuse. Risque d'explosion. Ne jamais faire fonctionner la pompe contre un refoulement fermé, sinon l'eau risque de bouillir à l'intérieur de la pompe, une accumulation dangereuse de pression risque de se produire, un danger d'explosion risque de s'ensuivre et les personnes qui manipuleront la pompe risqueront peut-être d'être ébouillantées.

1. Déposer la vanne de régulation, puis faire le plein de la pompe (Se reporter à la Figure 14). Faire le plein de la pompe, de toutes les tuyauteries branchées entre la pompe et le puits; s'assurer aussi que toutes les tuyauteries du puits sont pleines d'eau. Si un té d'amorçage a été posé sur le tuyau d'aspiration, déposer le bouchon du té et faire le plein de la tuyauterie d'aspiration.
2. Reposer tous les bouchons de remplissage et fermer complètement la vanne de régulation (Se reporter à la Figure 15).
3. Établir le courant! Démarrer la pompe et surveiller le manomètre. Au fur et à mesure que la pompe s'amorce, la pression doit rapidement monter jusqu'à 40 lb/po² (modèles 2805/6/10E) ou jusqu'à 50 lb/po² (modèle 2815E).
4. Après 2 ou 3 minutes, le manomètre doit indiquer la pression. Sinon, arrêter la pompe, déposer les bouchons de remplissage, rouvrir la vanne de régulation et refaire le plein de la pompe et des tuyauteries. Il sera peut-être nécessaire de répéter cette opération deux ou trois fois jusqu'à ce que tout l'air pouvant être emprisonné dans les tuyauteries soit chassé. Ne pas oublier de refermer la vanne de régulation avant de redémarrer la pompe.
5. Lorsque la pression s'est accumulée et stabilisée à environ 40 lb/po² (modèles 2805/6/10E) ou 50 lb/po² (modèle 2815E), ouvrir lentement la vanne de régulation (Se reporter à la Figure 17) et laisser chuter la pression jusqu'à ce que l'aiguille du manomètre commence à osciller. Pendant que l'aiguille oscille, fermer suffisamment la vanne de régulation pour arrêter l'aiguille d'osciller (Se reporter à la 17). La pompe fonctionne maintenant à son point le plus efficace.
6. Après que la pression se sera accumulée dans le système et que la pompe se sera arrêtée, vérifier le fonctionnement du pressostat en ouvrant un ou deux robinets du système; laisser couler suffisamment d'eau pour que la pression se dissipe et jusqu'à ce que la pompe redémarré. La pompe doit redémarrer lorsque la pression chute à 20 lb/po² (modèles 2805/6/10E) ou à 30 lb/po² (modèle 2815E) et s'arrêter dès que la pression atteint 40 lb/po² (modèles 2805/6/10E) ou 50 lb/po² (modèle 2815E). Faire fonctionner la pompe pendant un ou deux cycles complets pour confirmer son bon fonctionnement. Ceci permettra également de nettoyer le système de toute la saleté et de tout le tartre qui pourraient s'être détachés pendant l'installation.

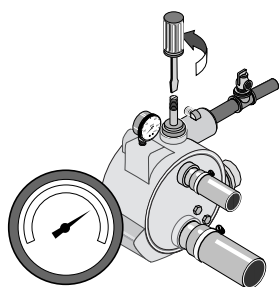


Reposer tous les bouchons de remplissage, puis fermer complètement la vanne de régulation.

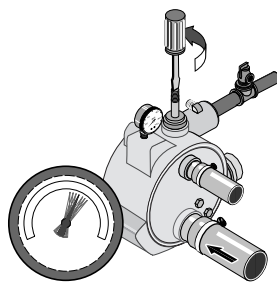
2120 0497 SIM

Figure 15 : Reposer tous les bouchons de remplissage, ainsi que la vanne de régulation

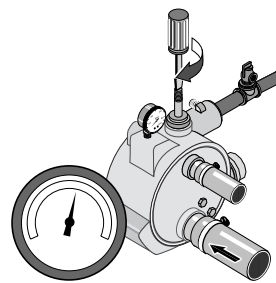
Félicitations pour une installation réussie.



A- Ouvrir la vanne de régulation



B- Surveiller le manomètre jusqu'à ce que l'aiguille oscille



C- Fermer la vanne de régulation jusqu'à ce que la pression se stabilise

Figure 16 : Régler la vanne de régulation

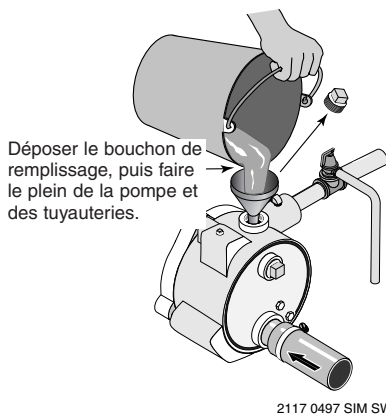


Figure 17 : Déposer le bouchon de remplissage, puis faire le plein de la pompe

Si l'installation n'est pas réussie, se reporter à la Section Recherche des pannes ou appeler notre personnel technique du service à la clientèle.

⚠ ATTENTION **Risque de brûlures. Ne jamais faire fonctionner la pompe à sec.** Faire fonctionner la pompe sans eau risque de causer une surchauffe de la pompe, les joints risquent d'être endommagés et les personnes qui manipuleront la pompe risqueront peut-être aussi de se brûler. Faire le plein d'eau de la pompe avant de la démarrer.

⚠ AVERTISSEMENT **Pression dangereuse. Risque d'explosion.** Ne jamais faire fonctionner la pompe contre un refoulement fermé, sinon l'eau risque de bouillir à l'intérieur de la pompe, une accumulation dangereuse de pression risque de se produire, un danger d'explosion risque de s'ensuivre et les personnes qui manipuleront la pompe risqueront peut-être d'être ébouillantées.

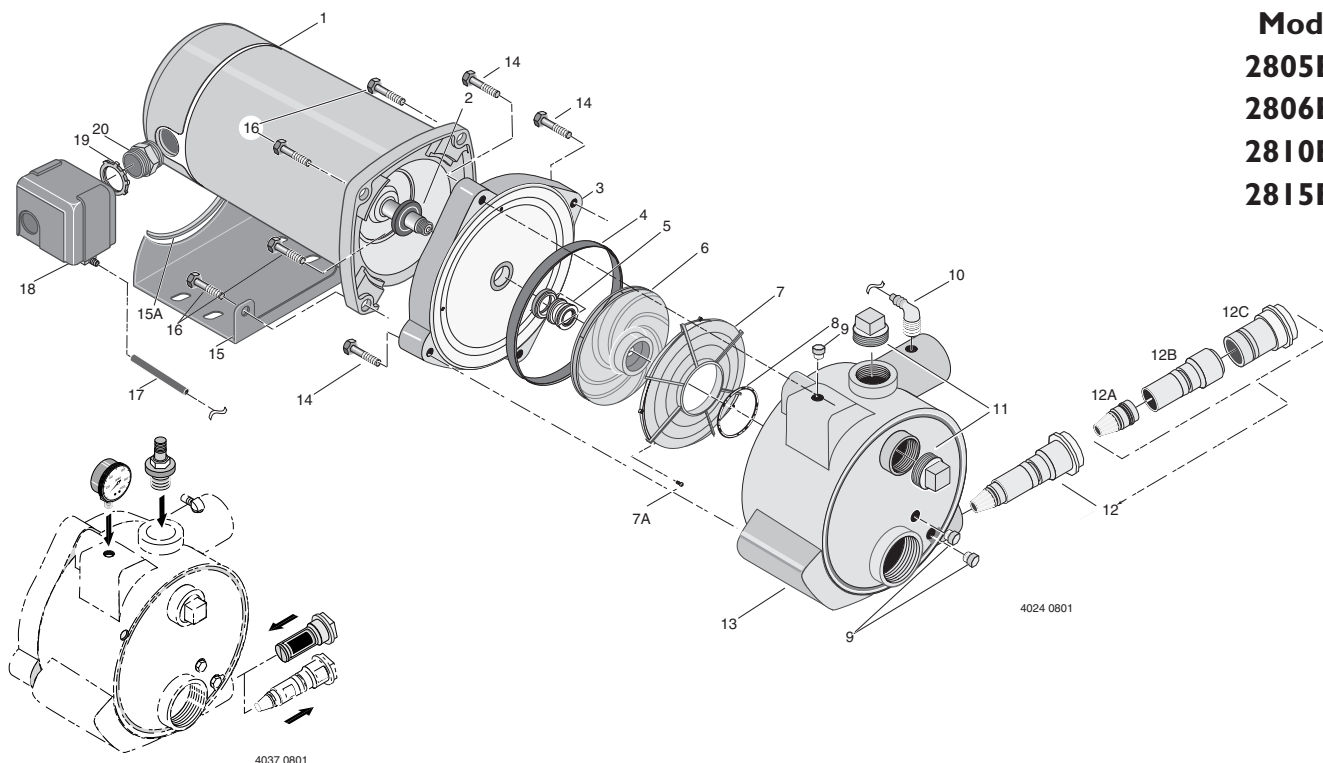
1. Déposer le bouchon de remplissage, puis faire le plein de la pompe (Se reporter à la Figure 17). Faire le plein de la pompe, de toutes les tuyauteries branchées entre la pompe et le puits; s'assurer aussi que toutes les tuyauteries du puits sont pleines d'eau. Si un té d'amorçage a été posé sur le tuyau d'aspiration, déposer le bouchon du té et faire le plein de la tuyauterie d'aspiration.
2. Reposer tous les bouchons de remplissage.
3. Établir le courant! Démarrer la pompe. Elle doit pomper de l'eau dans les deux à trois minutes qui suivent.
4. Si, après 2 ou 3 minutes, la pompe ne débite pas d'eau, l'arrêter, déposer les bouchons de remplissage, rouvrir la vanne de régulation et refaire le plein de la pompe et des tuyauteries. Il faudra peut-être répéter cette opération deux ou trois fois jusqu'à ce que tout l'air pouvant être emprisonné dans les tuyauteries soit chassé.
5. Après que la pression se sera accumulée dans le système et que la pompe se sera arrêtée, vérifier le fonctionnement du pressostat en ouvrant un ou deux robinets du système; laisser couler suffisamment d'eau pour que la pression se dissipe et jusqu'à ce que la pompe redémarré. La pompe doit redémarrer lorsque la pression chute à 30 lb/po2 et s'arrêter lorsque la pression atteint 50 lb/po2. Faire fonctionner la pompe pendant un ou deux cycles complets pour confirmer son bon fonctionnement. Ceci permettra également de nettoyer le système de toute la saleté et de tout le tartre qui pourraient s'être détachés pendant l'installation.

Félicitations pour une installation réussie.

Si l'installation n'est pas réussie, se reporter à la Section Recherche des pannes ou appeler notre personnel technique du service à la clientèle.

SYMPTÔMES	CAUSES PROBABLES	REMÈDES
Le moteur ne tourne pas	Le sectionneur est ouvert. Le fusible est sauté ou le disjoncteur est déclenché. L'interrupteur de démarrage est défectueux. Les fils côté moteur sont desserrés, débranchés ou mal branchés. Les contacts du manocontacteur sont sales.	S'assurer que le sectionneur est enclenché. Remplacer le fusible ou réenclencher le disjoncteur. COUPER L'ARRIVÉE DE COURANT; remplacer l'interrupteur de démarrage. Se reporter aux instructions sur le câblage (pages 21 et 22). COUPER L'ARRIVÉE DE COURANT; vérifier tout le câblage et le resserrer. ⚠ AVERTISSEMENT La tension du condensateur peut être dangereuse. Pour décharger le condensateur du moteur, tenir un tournevis à manche isolé PAR LE MANCHE et mettre en court-circuit les bornes du condensateur. Ne pas toucher la lame métallique du tournevis ni les bornes du condensateur. En cas de doutes, consulter un électricien qualifié. COUPER L'ARRIVÉE DE COURANT et nettoyer les contacts avec un morceau de feuille émeri ou une lame à ongles.
Le moteur chauffe et le dispositif de protection contre les surcharges se déclenche.	Le moteur est mal branché. La tension est trop faible. La pompe se met en marche trop fréquemment.	Se reporter aux instructions concernant le câblage. S'adresser à la compagnie d'électricité. Poser un câblage plus gros si le diamètre des fils est trop petit (Se reporter au Tableau de câblage de la section Électricité). Voir la section ci-dessous en cas de démarrages trop fréquents.
Le moteur fonctionne mais l'eau n'est pas pompée* * (Nota : Arrêter la pompe; puis vérifier l'amorçage avant de rechercher toute autre cause. Dévisser le bouchon d'amorçage et voir si le trou d'amorçage contient de l'eau.)	Dans une installation nouvelle, la pompe ne s'est pas amorcée à cause : 1. d'un mauvais amorçage; 2. de prises d'air; 3. de fuites du clapet anti-retour ou du clapet de pied. La pompe s'est désamorcée : 1. à cause de prises d'air; 2. parce que le niveau d'eau est plus bas que la prise d'eau du tuyau d'aspiration. Le clapet de pied ou la crépine sont bouchés. L'éjecteur ou l'impulseur sont bouchés. S'assurer que le clapet anti-retour ou que le clapet de pied ne sont pas grippés en position fermée. Les tuyauteries sont gelées. Le clapet de pied et/ou la trémie sont enfouis dans le sable ou la boue. Le niveau de l'eau est trop bas pour que le puits peu profond débite de l'eau.	Dans le cas d'une installation neuve : 1. Réamorcer la pompe conformément aux instructions. 2. Vérifier tous les raccords de la conduite d'aspiration, le contrôleur d'air et l'éjecteur. 3. Remplacer le clapet de pied ou le clapet anti-retour. Dans le cas d'une installation déjà en utilisation : 1. Vérifier tous les raccords de la conduite d'aspiration et le joint de l'arbre. 2. Abaisser la conduite d'aspiration dans l'eau et réamorcer la pompe. Si, dans le puits, l'abaissement du niveau d'eau dépasse la hauteur géométrique d'aspiration, il faudra utiliser une pompe pour puits profond. Nettoyer le clapet de pied ou la crépine. Nettoyer l'éjecteur ou l'impulseur. Remplacer le clapet anti-retour ou le clapet de pied. Dégeler les tuyauteries. Enterrer les tuyauteries sous la limite de gel. Chauffer la fosse ou le bâtiment où se trouve la pompe. Relever le clapet de pied et/ou la trémie plus haut que la source d'eau. Nettoyer le clapet de pied et la trémie. Un éjecteur pour puits peu profond est peut-être requis (plus de 25 mètres jusqu'à l'eau) pour un débit d'eau.
La pompe ne pompe pas l'eau à pleine capacité.	Le niveau de l'eau du puits est plus bas que celui estimé. La tuyauterie en acier (le cas échéant) est corrodée ou bouchée par la chaux, ce qui cause un frottement excessif. Le diamètre de la tuyauterie est trop petit.	Remplacer la buse et le venturi par la bonne combinaison en fonction du puits; abaisser l'éjecteur dans le puits jusqu'au bon niveau. Dans la mesure du possible, remplacer le tuyau par un tuyau en plastique, sinon poser un tuyau en acier neuf. Utiliser une tuyauterie de plus grand diamètre.
La pompe pompe l'eau, mais ne s'arrête pas ou bien elle fonctionne trop fréquemment.	Le manocontacteur est déréglé ou bien ses contacts sont soudés ensemble. Les robinets sont restés ouverts. Le venturi, la buse ou l'impulseur sont bouchés. Le niveau d'eau du puits profond est inférieur au niveau estimé. Le réservoir sous pression standard est saturé d'eau et n'a plus de coussin d'air. Fuite des tuyaux. Fuite du clapet de pied. La charge d'air du réservoir préchargé est trop basse.	COUPER L'ARRIVÉE DE COURANT; régler le manocontacteur ou le remplacer. Les fermer. Nettoyer le venturi, la buse ou l'impulseur. Remplacer la buse et le venturi par la bonne combinaison en fonction du puits. Vider le réservoir jusqu'à l'orifice du contrôleur d'air. S'assurer que le contrôleur d'air ne montre pas de défauts. S'assurer qu'il n'y a pas de prises d'air à aucun raccord. Vérifier les raccords. Remplacer le clapet de pied. COUPER L'ARRIVÉE DE COURANT et ouvrir les robinets jusqu'à ce que toute la pression soit dissipée. À l'aide d'un manomètre de pneu, vérifier la pression d'air dans le réservoir par la tige de la valve qui se trouve sur le réservoir. Si la pression est inférieure au réglage de déclenchement du manocontacteur (30 à 50 lb/po ²), pomper de l'air dans le réservoir à partir d'une source extérieure jusqu'à ce que la pression d'air soit de 2 lb/po ² inférieure au réglage de déclenchement du manocontacteur. S'assurer que la valve ne fuit pas (utiliser une solution savonneuse pour cela) et, au besoin, remplacer l'obus de la valve.
L'air jaillit des robinets.	La pompe s'amorce. Fuite du côté aspiration de la pompe. Le puits est gazeux. Surpompage intermittent du puits. (L'eau est pompée plus bas que le clapet de pied.)	Lorsque la pompe s'amorcera, tout l'air sera éjecté. Le tuyau d'aspiration aspire de l'air. Vérifier tous les raccords. S'assurer qu'ils sont bien serrés. S'adresser à l'usine concernant l'installation d'un manchon dans le puits. Dans la mesure du possible, abaisser le clapet de pied, sinon limiter le refoulement de la pompe.

Modèles
2805E-01
2806E-01
2810E-01
2815E-01

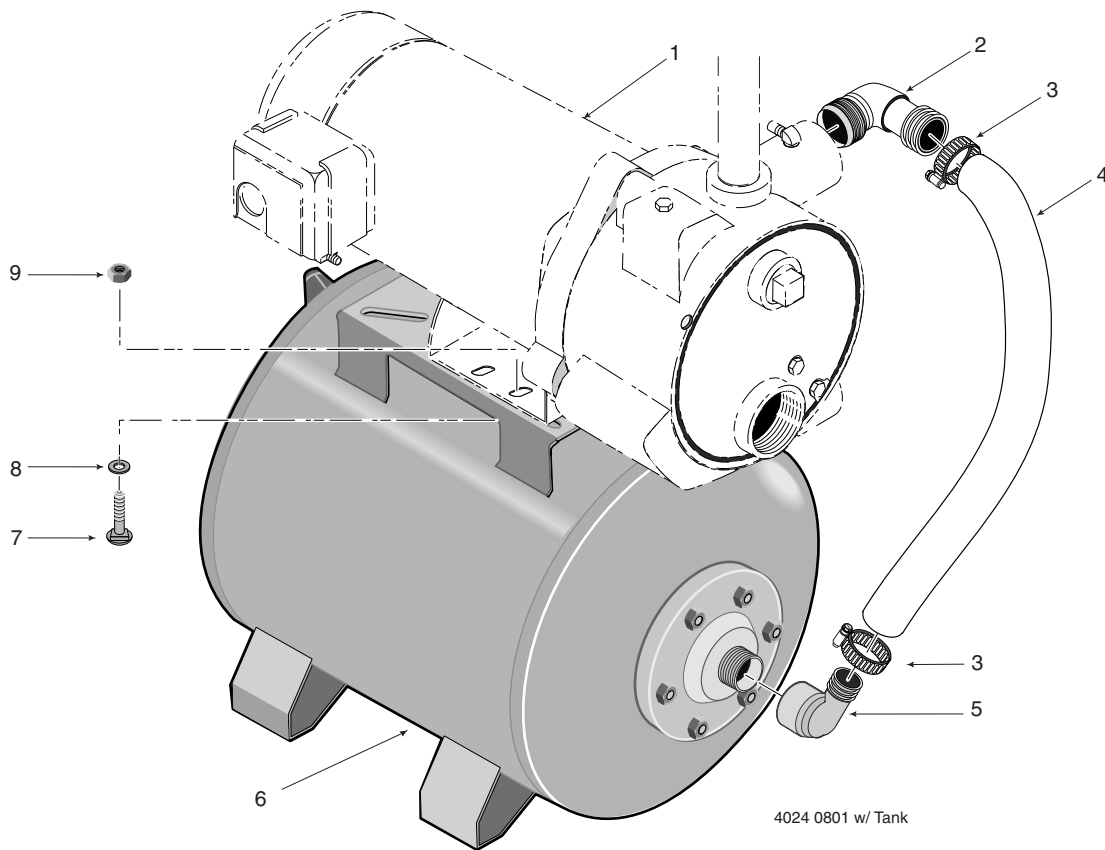


Nécessaire de conversion pour puits profond, modèle MDWC – À acheter séparément

Réf.	Désignation des pièces	Qté	2805E-01 2806E-01 1/2 ch	2810E-01 3/4 ch	2815E-01 1 ch
1	Moteur	1	J218-577PKG	J218-590PKG	J218-596PKG
2	Défecteur d'eau	1	17351-0009	17351-0009	17351-0009
3	Plaque d'étanchéité	1	L3-28	L3-28	L3-28A
4	Joint de la plaque d'étanchéité	1	345-038	345-038	345-038
5	Joint d'arbre	1	U109-6A	U109-6A	U109-6A
6	Impulseur	1	C105-258P	C105-258PA	C105-258PB
7	Diffuseur	1	595-110	595-110	595-109
7A	Vis du diffuseur	3	670-698	670-698	670-698
8	Joint torique du diffuseur	1	546-032	546-032	546-032
9	Bouchon fileté à tête hexagonale de 3/4 de pouce NPT	3	U78-941ZPV	U78-941ZPV	U78-941ZPVP
10	Coude à branchement rapide	1	U111-212T	U111-212T	U111-212T
11	Bouchon fileté à tête carrée de 1 pouce NPT	2	U78-61GPS	U78-61GPS	U78-61GPS
12	Injecteur pour puits peu profond	1	992-872	992-873	992-874
12A	Buse	1	541-010	541-008	541-009
12B	Tube de venturi	1	830-057	830-055	830-056
12C	Obturateur pour puits profond	1	143-093	143-093	143-093
13	Corps de la pompe	1	404-144	404-144	404-144
14	Vis à tête de 3/8-16 x 1 3/4 po	4	U30-75ZP	U30-75ZP	U30-75ZP
15	Socle	1	J104-9	J104-9	J104-9
15A	Support en caoutchouc du moteur	1	C35-5	C35-5	C35-5
16	Vis à tête de 3/8-16 x 1 po	2	U30-74ZP	U30-74ZP	U30-74ZP
17	Tube du pressostat	1	U37-673ZP	U37-673ZP	U37-673ZP
18	Pressostat	1	U217-1218	U217-1218	U217-1218
19	Écrou de blocage	1	U36-112ZP	U36-112ZP	U36-112ZP
20	Raccord	1	L43-5C	L43-5C	L43-5C

Le nécessaire de conversion pour puits profond, modèle MDWC, doit être acheté séparément. Le nécessaire comprend un obturateur pour puits profond (remplace l'injecteur pour puits peu profond), une vanne de régulation (remplace le bouchon de remplissage), ainsi qu'un pressostat.

**Modèle
2806E-01**



Réf.	Désignation des pièces	Qté	2806E-01 1/2 ch
1	Moteur	1	†
2	Raccord en PVC	1	322-006
3	Collier de tuyau	2	U19-55SS
4	Tuyau souple transparent	1	403-005
5	Coude à 90 degrés	1	322-004
6	Réservoir horizontal HT7 de 15 gallons	1	HT7-02
7	Boulon de carrosserie de 5/16-18 x 1 1/4 po	2	U30-231ZP
8	Rondelle ordinaire de 3/8 de po – 1 7/16 po	2	U43-62ZP
9	Écrou de 5/16 – 18	2	U36-37ZP
**	Ensemble pompe et réservoir	1	992-871

† Pour les pièces de la pompe, se reporter à la page précédente.

** Comprend les Réf. 2, 3, 5, 7, 8 et 9, plus l'ensemble d'injecteur pour puits peu profond, n° 992-872.

LEA Y SIGA LAS INSTRUCCIONES DE SEGURIDAD!

⚠ Este es el símbolo de alerta de seguridad. Cuando usted vea este símbolo en su bomba o en este manual, busque alguna de las siguientes palabras de advertencia y esté alerta a la posibilidad de una herida personal:

⚠ PELIGRO advierte acerca de los peligros que **ocasionarán** lesiones personales serias, la muerte o un daño severo a la propiedad si se ignoran dichos peligros.

⚠ ADVERTENCIA advierte acerca de los peligros que **pueden** ocasionar lesiones personales serias, la muerte o un daño severo a la propiedad si se ignoran dichos peligros.

⚠ PRECAUCIÓN advierte acerca de los peligros que **ocasionarán** o **podrán** ocasionar lesiones personales menores o daños a la propiedad si se ignoran dichos peligros.

La etiqueta **AVISO** indica instrucciones especiales que son importantes pero no relacionados a los peligros.

Lea y siga cuidadosamente todas las instrucciones de seguridad en este manual y en la bomba.

Mantenga las etiquetas de seguridad en buenas condiciones.

Reemplace las etiquetas de seguridad faltantes o dañadas.

⚠ ADVERTENCIA



Tensión peligroso. Puede causar choque, quemaduras o muerte.

Conecte la bomba a tierra antes de conectarla a la alimentación eléctrica. Desconecte la alimentación de energía antes de trabajar en la bomba, el motor o el tanque.

⚠ Conecte el motor al voltaje correcto. Vea la sección "Electricidad" en este manual y la placa del motor.

⚠ Conecte el motor a tierra antes de conectarlo a la alimentación de energía.

⚠ Cumpla con las indicaciones del Código Nacional Eléctrico, el de Canadá y los códigos locales para toda la conexión eléctrica.

⚠ Siga las instrucciones de conexión eléctrica en este manual al conectar el motor a las líneas de energía eléctrica.

SEGURIDAD ELECTRICA

⚠ ADVERTENCIA **Tensión peligrosa. Puede causar choque, quemaduras o muerte.** Para descargar el capacitor del motor, tome un desatornillador con mango aislado **POR EL MANGO** y ponga en corto las terminales del capacitor. No toque la superficie de metal del desatornillador ni las terminales del capacitor. Si tiene alguna duda, consulte a un electricista calificado.

SEGURIDAD GENERAL

⚠ PRECAUCIÓN **Tensión peligrosa. Puede causar choque, quemaduras o muerte.** Los motores modernos están diseñados para operar a temperaturas altas. Para evitar quemaduras al realizar el servicio a una bomba, déjela enfriar por 20 minutos después de apagarla.

No permita que la bomba o cualquier componente del sistema se congele. Hacerlo invalidará la garantía.

Utilice esta bomba sólo para agua.

Inspeccione la bomba y los componentes del sistema periódicamente.

Utilice gafas de seguridad durante todo el tiempo mientras trabaje en la bomba.

El área de trabajo se debe mantener limpia, ordenada y con iluminación adecuada; guarde las herramientas y el equipo que no utilice en el lugar apropiado.

Mantenga a los visitantes a una distancia segura de las áreas de trabajo.

⚠ ADVERTENCIA **Peligro de quemaduras. NO toque un motor en operación.** El cuerpo de la bomba puede explotar si se utiliza como una bomba propulsora a menos que se instale una válvula de alivio que sea capaz de pasar todo el flujo de la bomba a 75 psi.



⚠ ADVERTENCIA

Presión peligrosa!

Instale una válvula de alivio de presión en la tubería de descarga.

Libere toda la presión en el sistema antes de trabajar en alguno de los componentes.

Gracias por adquirir una bomba de calidad superior que ha sido probada en la fábrica.

	Página
Seguridad General	28
Garantía	29
Reemplazo de una Bomba Existente.....	30
Instalación en un Pozo Nuevo Poco Profundo	31,32
• Punto filtrante (Punto perforado)	
• Pozo con entubado de 2 pulgadas o mayor	
• Instalación para Agua Superficial	
Instalación en un Pozo Nuevo Profundo	32,33
• Pozo de 4 pulgadas o mayor	
• Pozo de 2 pulgadas	
• Conexiones del Tanque Precargado	
Electricidad.....	34,35
Preparación para activar la Bomba - Pozo Profundo	36
Preparación para activar la Bomba - Pozo poco Profundo	37
Localización de fallas.....	38
Repuestos	39,40

ADHIERA AQUÍ EL RECIBO ORIGINAL PARA VALIDACION DE GARANTÍA

SIMER garantiza al comprador consumidor original ("Comprador") de sus productos, que éstos se encuentran libres de defectos de material o mano de obra.

Si dentro de los doce (12) meses de la fecha original de la compra cualquiera de los productos demostrara estar defectuoso, el mismo será reparado o reemplazado, a opción de SIMER con sujeción a los términos y condiciones expuestos a continuación. Se requiere su recibo original de compra para determinar si se encuentra bajo garantía.

Excepciones a la Garantía por Doce (12) Meses

Producto/Modelo No.	Período de garantía
M40P, M80, BW85P, CM10, CMK	90 días
2330, 2300, 2955, 2957, A5500	2 años
4" Submersible Well Pumps, 3984, 3983, 2975PC, 2958, 3075SS	3 años
Pre-Charge Water System Tank, 3986, 3985, 2956, 2960	5 años
3988, 3995, 3997, 3963	De por vida

Términos y Condiciones Generales

El comprador debe pagar todos los gastos de mano de obra y transporte necesarios para reemplazar el producto cubierto por esta garantía. Esta garantía no se aplicará a hechos de fuerza mayor, ni se aplicará a los productos que, a juicio exclusivo de SIMER, hayan sido objeto de negligencia, abuso, accidente, aplicaciones contraindicadas, manejo indebido, alteraciones; ni debido a instalación, funcionamiento, mantenimiento o almacenamiento incorrectos; ni a ninguna otra cosa que no sea su aplicación, uso o servicio normales, incluyendo, pero no limitado a, fallas operacionales causadas por corrosión, oxidación u otros elementos extraños en el sistema, o funcionamiento a presión por encima del máximo recomendado.

Los pedidos de servicio bajo los términos de esta garantía serán efectuados mediante la devolución del producto defectuoso al Vendedor o a SIMER, tan pronto como sea posible, después de localizado cualquier supuesto defecto. SIMER tomará luego acción correctiva, tan pronto como sea razonablemente posible. Ningún pedido de servicio bajo esta garantía será aceptado si se recibe más de 30 días después del término de la garantía.

Esta garantía establece la obligación única de SIMER y el remedio exclusivo del comprador en el caso de productos defectuosos.

SIMER NO SERÁ RESPONSABLE POR NINGÚN DAÑO CONSECUENTE, INCIDENTAL O CONTINGENTE DE NINGUNA NATURALEZA.

LAS GARANTÍAS ANTERIORES SON EXCLUSIVAS Y REEMPLAZAN CUALESQUIERA OTRAS GARANTÍAS EXPRESAS. LAS GARANTÍAS IMPLÍCITAS, INCLUYENDO, PERO NO LIMITADAS A, LAS GARANTÍAS IMPLÍCITAS DE COMERCIABILIDAD Y APTITUD PARA UN PROPÓSITO EN PARTICULAR, NO DEBERÁN EXCEDER EL PERÍODO DE DURACIÓN DE LAS GARANTÍAS EXPRESAS APLICABLES AQUÍ PROVISTAS.

Algunos estados no permiten la exclusión o limitación de daños incidentales o consecuentes ni las limitaciones respecto a la duración de garantías implícitas; de modo que las limitaciones o exclusiones precedentes pueden no aplicarse en su caso. Esta garantía le concede derechos legales específicos. Usted puede tener, además, otros derechos que varían de un estado a otro.

SIMER • 293 Wright Street • Delavan, WI U.S.A. 53115

Teléfono: 1-800-468-7867/1-800-546-7867 • Fax: 1-800-390-5351

e-Mail (correo electrónico): info@simerpumps.com • Dirección web: <http://www.simerpumps.com>

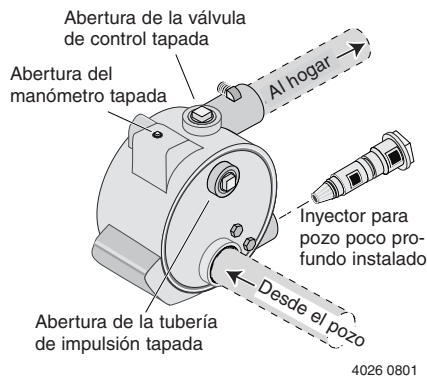


Figura 1: Configuración para pozo poco profundo

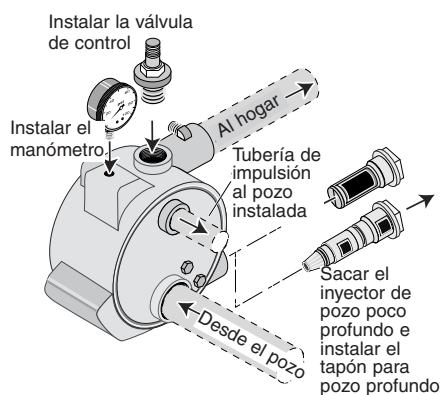


Figura 2: Configuración para pozo profundo

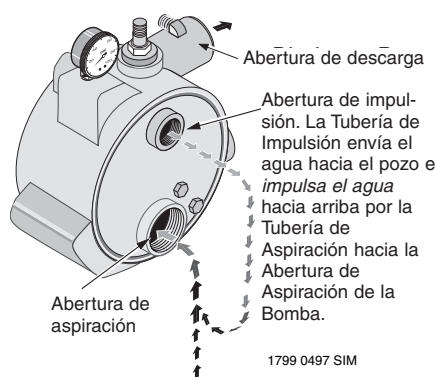


Figura 3: Funciones de impulsión y aspiración en pozo profundo

POZO PROFUNDO (Figura 1)

⚠ ADVERTENCIA

Tensión peligrosa. Puede causar choque, quemaduras o muerte. Desconecte la corriente eléctrica hacia la bomba antes de trabajar con la bomba o con el motor.

1. Drene y saque la bomba usada. Verifique que las tuberías antiguas no tengan restos de oxidación, cal, herrumbre, etc. y cámbielas si fuese necesario.
2. Instale la bomba en el sistema (consulte las figuras 4, 5 y 6). Asegúrese de que todas las uniones de la tuberías en la tubería de aspiración estén herméticas y estancas. Si la tubería de aspiración puede aspirar aire, la bomba no podrá extraer agua desde el pozo.
3. Ajuste la altura de montaje de la bomba para que las conexiones de plomería no ejerzan presión sobre el cuerpo de la bomba. Apoye las tuberías de manera que el cuerpo de la bomba no deba soportar el peso de las tuberías o de los accesorios.

POZO PROFUNDO

⚠ ADVERTENCIA

Tensión peligrosa. Puede causar choque, quemaduras o muerte. Desconecte la corriente eléctrica hacia la bomba antes de trabajar con la bomba o con el motor.

1. Drene y saque la bomba usada. Verifique que las tuberías no tengan restos de oxidación, cal, herrumbre, etc. y cámbielas si fuese necesario.
2. Instale la válvula de control, el manómetro y el tapón para pozo profundo en el cuerpo de la bomba (compre el juego por separado; consulte la figura 2). Cuando conecte al cabezal del pozo, asegúrese de ir desde la abertura pequeña a la abertura pequeña (impulsión) y desde la abertura grande a la abertura grande (aspiración). Si fuese necesario, use tuberías flexibles y dóblelas para hacer las conexiones correctas.
3. Las bombas Simer vienen con una tubería de aspiración (la abertura más grande) debajo de la abertura de impulsión (ver figuras 2 y 3).
4. Instale la bomba en el sistema. Asegúrese de que todas las uniones de la tuberías en la tubería de aspiración estén herméticas y estancas. Si la tubería de aspiración puede aspirar aire, la bomba no podrá extraer agua desde el pozo.
5. Ajuste la altura de montaje de la bomba para que las conexiones de plomería no ejerzan presión sobre el cuerpo de la bomba. Apoye las tuberías de manera que el cuerpo de la bomba no deba soportar el peso de las tuberías o de los accesorios.

AVISO: Es posible que su sistema inyector antiguo (en el pozo) no haga juego debidamente con su nueva bomba. Si su bomba no se desempeña debidamente, le recomendamos que instale un Juego de Inyector MDWE Simer (para pozos de 4 pulgadas) o un Juego de Inyector MDWA Simer (para pozos de relleno de 2 pulgadas).

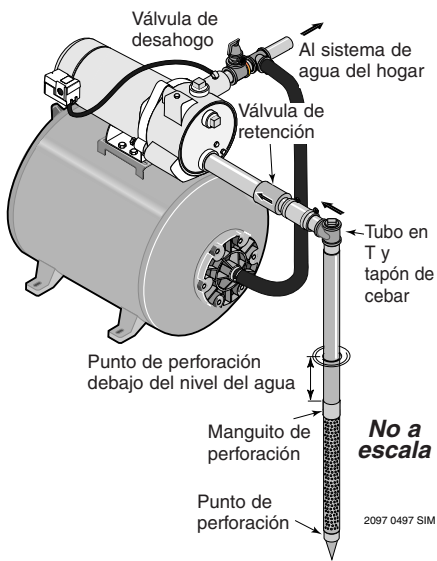


Figura 4: Instalación típica del Punto Filtrante

INSTALACIONES DE LA BOMBA DE CHORRO EN POZOS POCO PROFUNDOS

- La profundidad vertical entre la bomba y el agua que se bombea debe ser de 25 pies o menor.
- Se debe tener una tubería desde el pozo a la caja de la bomba.
- Se puede instalar en un pozo perforado o taladrado, o en un pozo hincado.

INSTALACIÓN DEL PUNTO FILTRANTE (Figura 4)

1. Hínque el pozo utilizando “manguitos de perforación” y una “caperuza de perforación”. Las “conexiones de perforación” están roscadas a todo lo largo y permiten que los extremos de la tubería se empalmen para que la fuerza de perforación del mazo sea soportada por la tubería y no por el enroscado. Las conexiones comunes que se encuentran en las ferreterías no están roscadas a todo lo largo y se pueden aplastar con el impacto. Las “conexiones de perforación” también son más lisas que las conexiones de plomería comunes, lo que facilita la penetración en el suelo.
2. Instale la bomba tan cerca del pozo como sea posible.
3. Utilice el menor número de conexiones posible (especialmente codos) al conectar la tubería desde el punto filtrante a la abertura de aspiración de la bomba. La tubería de aspiración debe ser por lo menos del mismo tamaño que la abertura de aspiración en la bomba (incluya una válvula de retención). Apoye la tubería para que no haya inclinaciones verticales ni hundimientos en ella a fin de que no ejerza presión sobre el cuerpo de la bomba y que no se incline ligeramente hacia arriba desde el pozo hacia la bomba (los puntos altos pueden resultar en la formación de bolsas de aire que pueden bloquear la bomba). Selle las juntas de la tubería de aspiración con cinta de teflón. Las juntas deben ser herméticas y estancas. Si la tubería de aspiración puede aspirar aire, la bomba no podrá extraer agua del pozo. Si un punto filtrante no proporciona suficiente agua, considere la posibilidad de conectar dos o tres puntos filtrantes a una tubería de aspiración.

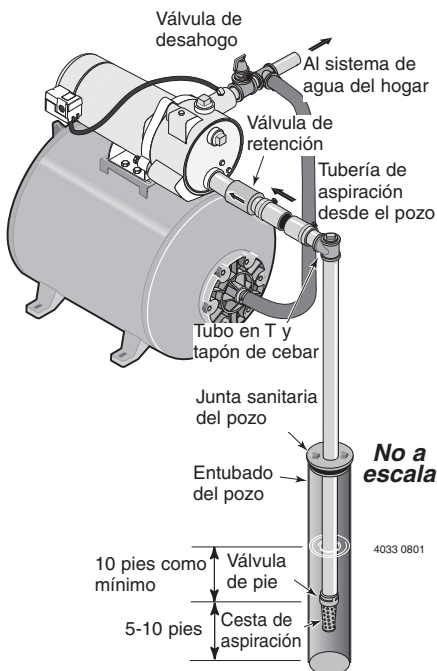


Figura 5: Instalación típica en un pozo entubado

INSTALACIÓN EN POZO ENTUBADO, CON UN REVESTIMIENTO DE 2 PULGADAS O MAYOR (Figura 5)

1. Instale la bomba tan cerca del pozo como sea posible.
2. Instale la válvula de pie, la cesta de aspiración y la tubería del pozo. Asegúrese que la válvula de pie funcione libremente.
3. Baje la tubería hacia el pozo hasta que la cesta de aspiración se encuentre a cinco pies sobre el fondo del pozo. También debe estar a por lo menos 10 pies debajo del nivel de agua del pozo cuando la bomba esté funcionando a fin de evitar que la bomba aspire aire. Instale un sello sanitario para pozo.
4. Instale un tubo en “T” de cebador, un tapón de cebador y la tubería de aspiración a la bomba. Conecte la tubería del pozo a la abertura de aspiración de la bomba, utilizando el menor número de conexiones posible (especialmente codos) ya que las conexiones aumentan la fricción en la tubería. La tubería de aspiración debe ser por lo menos del mismo tamaño que la abertura de aspiración en la bomba. Utilice cinta de teflón en las juntas de tuberías roscadas. Las juntas deben ser herméticas y estancas. Si la tubería de aspiración aspira aire, la bomba no podrá sacar agua del pozo. Apoye la tubería para que no haya inclinaciones verticales o hundimientos en ella a fin de que no ejerza presión sobre el cuerpo de la bomba y que no se incline ligeramente hacia arriba desde el pozo hacia la bomba (los puntos altos pueden ocasionar que se formen bolsas de aire que pueden bloquear la bomba).

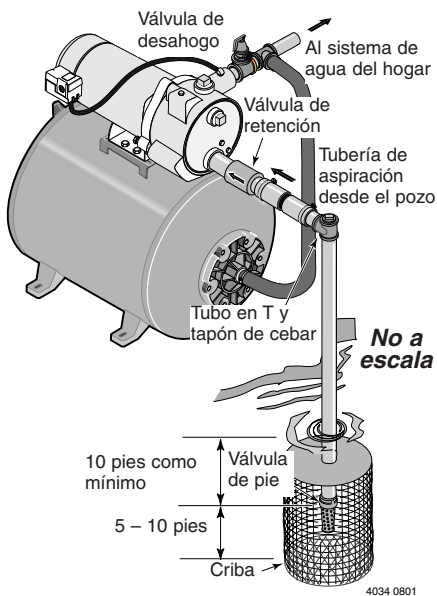


Figura 6: Instalación típica en agua superficial

INSTALACIÓN PARA AGUA SUPERFICIAL (Figura 6)

1. La bomba se debe instalar tan cerca del agua como sea posible, con el menor número posible de conexiones (especialmente codos) en la tubería de aspiración. La tubería de aspiración debe ser por lo menos del mismo tamaño que la abertura de aspiración en la bomba.
2. Ensamble una válvula de pie y la tubería de aspiración. Asegúrese de que la válvula de pie funcione libremente. Utilice cinta de teflón. Proteja la conexión de la válvula de pie contra peces, basura, etc. con la instalación de una criba a su alrededor.
3. Baje la tubería hacia el agua hasta que la cesta de aspiración se encuentre a cinco pies sobre el fondo. También debe estar a por lo menos 10 pies debajo del nivel de agua a fin de impedir que la bomba aspire aire.
4. Instale un tubo en "T" para cebar, tapón para cebar y la tubería de aspiración a la bomba. Apoye la tubería para que no haya inclinaciones verticales o hundimientos en ella a fin de que no ejerza presión sobre el cuerpo de la bomba y no se incline ligeramente hacia arriba desde el pozo hacia la bomba (los puntos altos pueden ocasionar que se formen bolsas de aire que pueden bloquear la bomba). Selle las juntas de la tubería de aspiración con cinta de teflón. Las juntas deben ser herméticas y estancas. Si la tubería de aspiración aspira aire, la bomba no podrá extraer agua del pozo.

Instalación en un Pozo Nuevo Poco Profundo

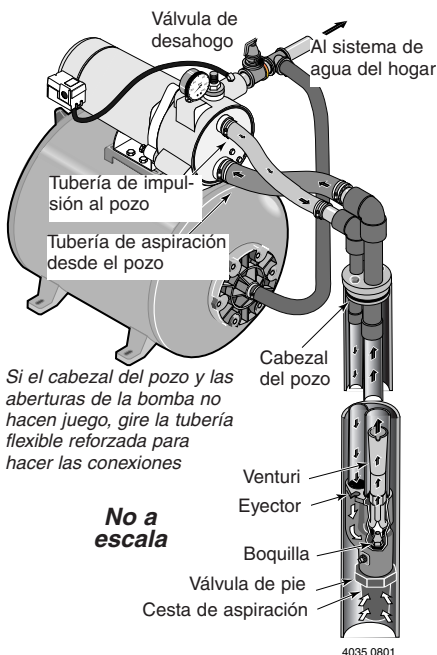


Figura 7: Instalación típica en pozos profundos de 2 y 4 pulgadas

POZO DE 4" Ó MAYOR (Figura 7)

1. Instale la válvula de control, el manómetro y el tapón del inyector para pozo profundo en el cuerpo de la bomba. Consulte la figura 2. Compre el Juego de conversión para Pozos Profundos Modelo MDWC para obtener estas piezas.
 2. Instale la bomba tan cerca del pozo como sea posible.
 3. Instale una tubería flexible entre el cabezal del pozo y la bomba de manera que la conexión sea correcta. Conecte la abertura pequeña a la abertura pequeña y la abertura grande a la abertura grande.
- AVISO:** Las bombas de chorro Simer vienen con la abertura de aspiración (abertura más grande) debajo de la abertura de impulsión. Ver la figura 3.
4. Conecte ambas tuberías, la de aspiración y la de impulsión, a la tubería del eyector y baje el eyector hacia el pozo hasta que se encuentre a cinco pies del fondo. También debe estar a por lo menos 10 pies debajo del nivel de agua del pozo cuando la bomba esté funcionando a fin de evitar que la bomba aspire aire.
 5. Instale un sello sanitario para pozo y conecte la tubería del eyector a la bomba. Utilice boquillas de acero a través del sello del pozo con tubería flexible de polietileno para evitar aplastar la tubería de plástico al ajustar el sello.
 6. Apoye la tubería para que no haya inclinaciones verticales o hundimientos en ella a fin de que no ejerza presión sobre el cuerpo de la bomba y no se incline ligeramente hacia arriba desde el pozo hacia la bomba (los puntos altos pueden ocasionar que se formen bolsas de aire que pueden bloquear la bomba). Selle las juntas de la tubería de aspiración con cinta de teflón. Las juntas deben ser herméticas y estancas. Si la tubería de aspiración aspira aire, la bomba no podrá extraer agua del pozo.

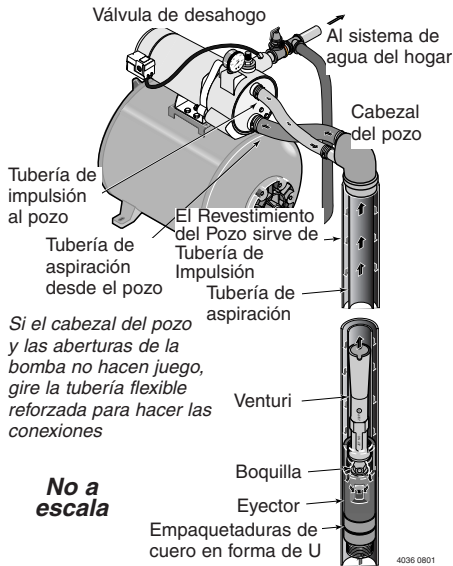


Figura 8: Instalación típica en pozos profundos de 2 pulgadas

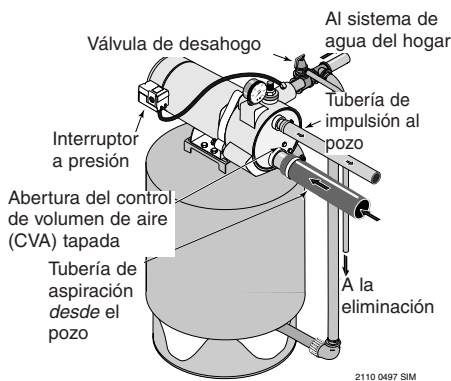


Figura 9: Conexiones del tanque precargado

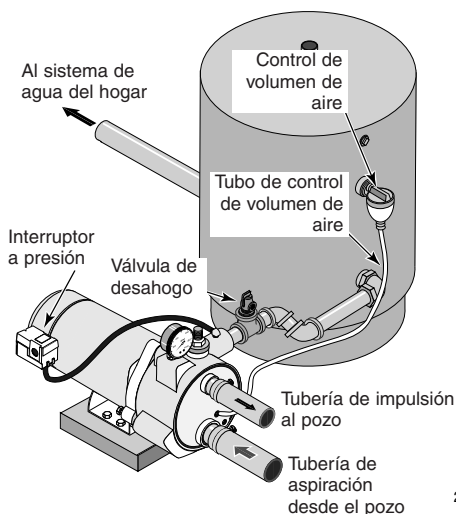


Figura 10: Conexiones del tanque estándar

POZO DE 2" (Figura 8)

1. Instale la válvula de control, el manómetro y el tapón del inyector para pozo profundo en el cuerpo de la bomba. Consulte la figura 2. Compre el Juego de conversión para Pozos Profundos Modelo MDWC para obtener estas piezas.
2. Instale la bomba tan cerca del pozo como sea posible.
3. Instale una tubería flexible entre el cabezal del pozo y la bomba de manera que la conexión sea correcta. Conecte la abertura pequeña a la abertura pequeña y la abertura grande a la abertura grande.

AVISO: Las bombas de chorro Simer vienen con la abertura de aspiración (abertura más grande) debajo de la abertura de impulsión. Ver la figura 3.

4. Conecte ambas tuberías, la de aspiración y la de impulsión y baje el eyector desde el pozo hasta la bomba. Apoye la tubería para que no haya inclinaciones verticales o hundimientos en ella a fin de que no ejerza presión sobre el cuerpo de la bomba y no se incline ligeramente hacia arriba desde el pozo hacia la bomba (los puntos altos pueden ocasionar que se formen bolsas de aire que pueden bloquear la bomba). Selle las juntas de la tubería de aspiración con cinta de teflón. Las juntas deben ser herméticas y estancas. Si la tubería de aspiración aspira aire, la bomba no podrá extraer agua del pozo.

CONEXIÓN DEL TANQUE PRECARGADO (Figura 9)

Si su sistema usa un tanque precargado, se deberá conectar a la bomba según se ilustra en la figura 9. La válvula de desahogo debe ser capaz de pasar toda la capacidad de la bomba a 100 psi de presión.

Verifique la precarga de aire en el tanque con un manómetro para neumáticos común. La precarga se mide *en donde no hay presión del agua en el tanque*.

Desconecte la corriente a la bomba y drene el tanque antes de verificar la precarga. Su bomba tiene un interruptor de 20/40 psi (Modelos 2805/6/10E) o un interruptor de 30/50 psi (Modelo 2815E), de manera que la presión precargada del tanque debería ser de 18 psi (Modelos 2805/6/10E) o de 28 psi (Modelo 2815). Es decir, debería ser 2 psi más baja que la presión de disparo del interruptor a presión.

No se requiere un CVA para un tanque precargado; la abertura de 1/4" NPT del CVA en el cuerpo de la bomba deberá estar tapada.

CONEXIÓN DEL TANQUE ESTÁNDAR (Figura 10)

Si su sistema usa un tanque estándar, conéctelo a la bomba según se ilustra en la figura 10. La válvula de desahogo que se use en un tanque estándar deberá ser capaz de pasar toda la capacidad de la bomba a 75 psi de presión.

Conecte el tubo de Control de Volumen de Aire (CVA) a la abertura de 1/2" NPT del CVA en el cuerpo de la bomba. Pase el tubo desde la abertura del CVA de la bomba al CVA colocado sobre el tanque. Consulte las instrucciones suministradas con el tanque y el CVA para obtener más detalles.

Cómo sellar las juntas de tuberías

Use solamente cinta de teflón para hacer las conexiones roscadas a la bomba. **No use compuestos para juntas de tuberías en bombas de plástico;** éstas pueden reaccionar con el plástico en los componentes de la bomba. Asegúrese de que todas las juntas de tubería en la tubería de aspiración sean herméticas y estancas. *Si la tubería de aspiración puede aspirar aire, la bomba no podrá extraer agua del pozo.*

⚠ Tensión peligrosa. Puede ocasionar choques, quemaduras o muerte. Desconecte la corriente eléctrica antes de trabajar con la bomba, el motor, el interruptor a presión o los cables.

CONFIGURACIONES DEL INTERRUPTOR DEL MOTOR

Los motores de dos tensiones (motores que pueden operar tanto a 115 como a 230 voltios) vienen configurados de fábrica para 230 voltios. No cambie la configuración de tensión del motor si la tensión de línea es de 230 voltios o si usted tiene un motor de una sola tensión

NOTA: Nunca conecte un motor de 115 voltios a una línea de 230 voltios.

NOTA: Los motores de ventilación exterior se deben cablear según el diagrama de cableado en la caja de conexiones del motor. Verifique que el motor esté conectado para la tensión de línea correcta.

NOTA: Los motores trifásicos se deben cablear según el diagrama de cableado del motor. Verifique que el motor esté conectado para la tensión de línea correcta.

Saque La Cubierta Del Motor

Si usted tiene un motor de dos tensiones y lo conectará a una línea de 115 voltios, siga el procedimiento indicado a continuación.

Deberá sacar la cubierta del motor para cambiar la configuración de tensión.

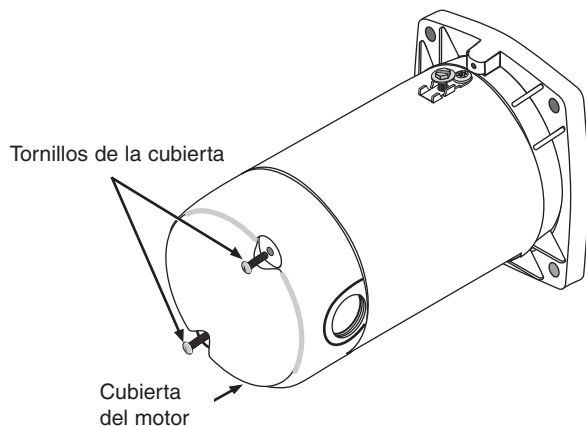


Figura 11: Remoción de la cubierta

El tablero de bornes de su motor (ubicado debajo de la cubierta del motor) deberá ser similar al que se indica a continuación.

Selector De Tensión Tipo Cuadrante

Para cambiar a 115 Voltios:

1. Verifique que la corriente eléctrica esté desconectada.
2. Gire el cuadrante hacia la izquierda (en dirección contraria a las agujas del reloj) hasta que la ventana del cuadrante indique 115.

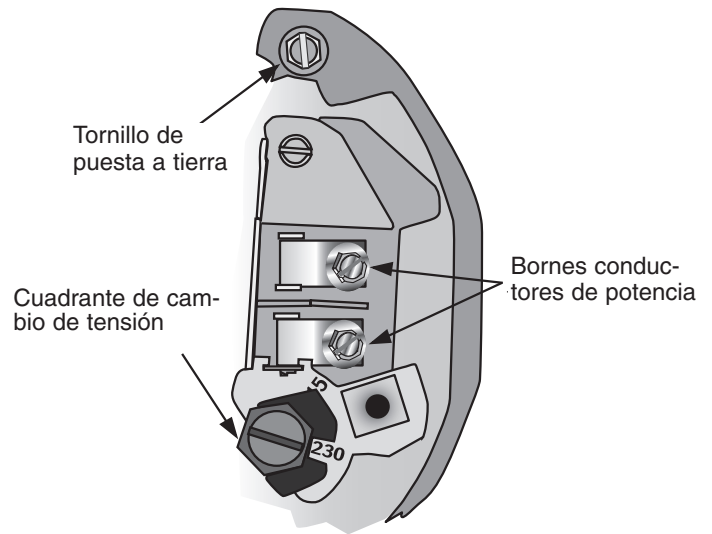


Figura 12: Cuadrante de cambio de tensión

3. Conecte los cables conductores de potencia a los bornes conductores de potencia. Verifique que los cables estén bien fijados.
4. Conecte el cable de puesta a tierra al tornillo verde de puesta tierra.
5. Vuelva a colocar la cubierta del motor.

⚠ ADVERTENCIA Tensión peligrosa. Puede causar choque, quemaduras o muerte. Conecte el hilo a tierra antes de conectar los cables de suministro de corriente eléctrica. Use el tamaño de cable (incluyendo el hilo de puesta a tierra) especificado en el gráfico de cableado. Conecte la bomba a su propio circuito dedicado sin ningún otro aparato conectado al mismo.

⚠ ADVERTENCIA Riesgo de explosión. No lo conecte a una línea de suministro de gas.

CONEXIONES DE CABLEADO

⚠ ADVERTENCIA Peligro de incendio. Una tensión incorrecta puede causar un incendio o dañar el motor considerablemente y anulará la garantía. La tensión de suministro debe estar dentro de un rango de +/- 10% de la tensión en la placa de fábrica del motor.

AVISO: Los motores de doble tensión vienen cableados de fábrica para 230 voltios. Si fuese necesario, vuelva a conectar el motor para 115 voltios, según se ilustra. No altere el cableado en los motores de una sola tensión.

Instale, conecte a tierra, conecte los cables y mantenga su bomba según las normas del National Electrical Code (NEC) o del Canadian Electrical Code (CEC), según corresponda y conforme con todos los códigos y reglamentos locales que correspondan. Consulte con un inspector de construcción local para obtener la información sobre los códigos.

Procedimiento de conexión:

1. Conecte el hilo de puesta a tierra primero según se ilustra en la figura 13. El hilo de puesta a tierra debe ser un hilo de cobre macizo por lo menos del mismo tamaño que los hilos de suministro de corriente eléctrica.
2. Debe haber una conexión metálica sólida entre el interruptor a presión y el motor para la protección a tierra del motor. Si el interruptor a presión no está conectado al motor, conecte el tornillo verde de puesta a tierra en el interruptor al tornillo verde de puesta a tierra debajo de la tapa extrema del motor. Use un hilo de cobre macizo por lo menos del mismo tamaño de los hilos de suministro de corriente.
3. Conecte el hilo de puesta a tierra a un conductor conectado a tierra en un tablero de servicio, a una tubería de agua subterránea metálica, a un revestimiento de pozos metálico de por lo menos diez pies (3 m) de largo, o a un electrodo de conexión a tierra suministrado por la empresa de energía eléctrica o por las autoridades de energía eléctrica.
4. Conecte los hilos de suministro de corriente al interruptor a presión según se ilustra en la figura 13.

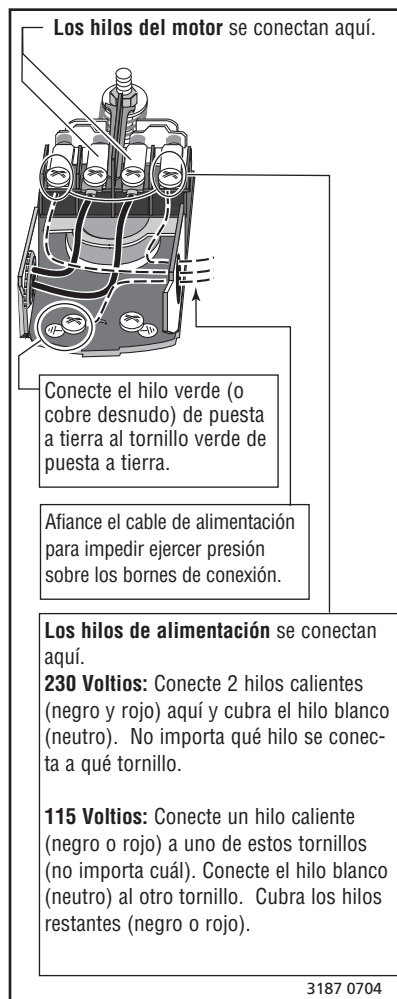


Figura 13: Manóstatos

Gráfico de cableado – Tamaños de hilos y fusibles recomendados.

Modelos	CV	Máx. amp. de carga	Amps nominales del fusible ramal	Distancia en pies (metros); Tamaño del hilo AWG (mm²)				
				0-100 (0-30)	101-200 (31-61)	201-300 (62-91)	301-400 (92-122)	401-500 (123-152)
115 voltios:								
2805E-01	1/2	9,9	15	14(2)	12(3)	10(5,5)	8(8,4)	8(8,4)
2806E-01	1/2	9,9	20	12(3)	10(5,5)	8(8,4)	6(14)	6(14)
2810E-01	3/4	12,4	20	12(3)	10(5,5)	8(8,4)	6(14)	6(14)
2815E-01	1	14,8	20	12(3)	8(8,4)	6(14)	6(14)	4(21)
230 voltios:								
2806E-01	1/2	4,95	15	14(2)	14(2)	14(2)	12(3)	12(3)
2810E-01	3/4	6,2	15	14(2)	14(2)	14(2)	12(3)	12(3)
2815E-01	1	7,4	15	14(2)	14(2)	14(2)	12(3)	10(5,5)

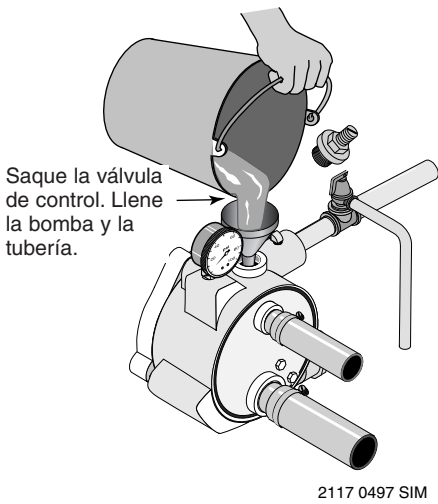


Figura 14: Llene la Bomba



Figura 15: Vuelva a colocar los tapones de relleno y la válvula de control

⚠ PRECAUCIÓN Peligro de quemadura. Nunca ponga a funcionar la bomba en seco. Poner a funcionar la bomba sin agua puede ocasionarle sobre- calentamiento, puede dañar el sello y, posiblemente, causar quemaduras a las personas que la estén manejando. Llene la bomba con agua antes de activarla.

⚠ ADVERTENCIA Presión peligrosa. Riesgo de explosión. Nunca ponga a funcionar una bomba hacia una descarga cerrada. Hacerlo puede ocasionar que el agua en el interior de la bomba hierva, produciendo una presión peligrosa en la unidad, un riesgo de explosión y posibles quemaduras con el agua a la persona que esté manejando la bomba.

1. Saque la válvula de control y llene la bomba (ver la figura 14). Llene toda la tubería entre la bomba y el pozo, asegurándose de que toda la tubería en el pozo esté llena. Si también ha instalado un tubo en T de cebar en la tubería de aspiración, saque el tapón del tubo en T y llene la tubería de aspiración.
2. Vuelva a colocar todos los tapones de relleno y la válvula de control completamente (ver la figura 15).
3. ¡Enciéndala! Active la bomba y observe el manómetro. La presión debe aumentar rápidamente a 40 PSI (Modelos 2805/5/10E) o a 50 PSI (Modelo 2815E) a medida que la bomba se carga.
4. Después de 2 ó 3 minutos, el manómetro deberá indicar la presión. De lo contrario, detenga la bomba, retire los tapones de relleno, vuelva a abrir la válvula de control y vuelva a llenar la bomba y la tubería. Es posible que usted deba repetir esto dos o tres veces para sacar todo el aire atrapado en la tubería. No olvide cerrar la válvula de control cada vez antes de activar la bomba.
5. Una vez que la presión haya aumentado y se haya estabilizado en aproximadamente 40 PSI (Modelos 2805/5/10E) o en 50 PSI (Modelo 2815E), abra lentamente la válvula de control (ver la figura 14) y permita que la presión caiga hasta que la aguja del manómetro comience a oscilar. Cuando la aguja oscile, cierre la válvula justo hasta que deje de oscilar. Ahora su bomba está operando al punto más eficaz.
6. Después de que la bomba haya producido presión en el sistema y esté apagada, verifique la operación del interruptor a presión abriendo una llave o dos y dejando correr suficiente agua para descargar la presión hasta que la bomba se active. La bomba deberá activarse cuando la presión caiga a 20 PSI (Modelos 2805/5/10E) o a 30 PSI (Modelo 2815E) y se deberá detener cuando la presión alcance los 40 PSI (Modelos 2805/6/10E) o a 50 PSI (Modelo 2815E). Haga funcionar la bomba durante uno o dos ciclos completos para verificar que esté funcionando correctamente. Esto también le ayudará a limpiar el sistema del polvo y la oxidación acumulados durante la instalación.

Felicitaciones por una instalación exitosa.

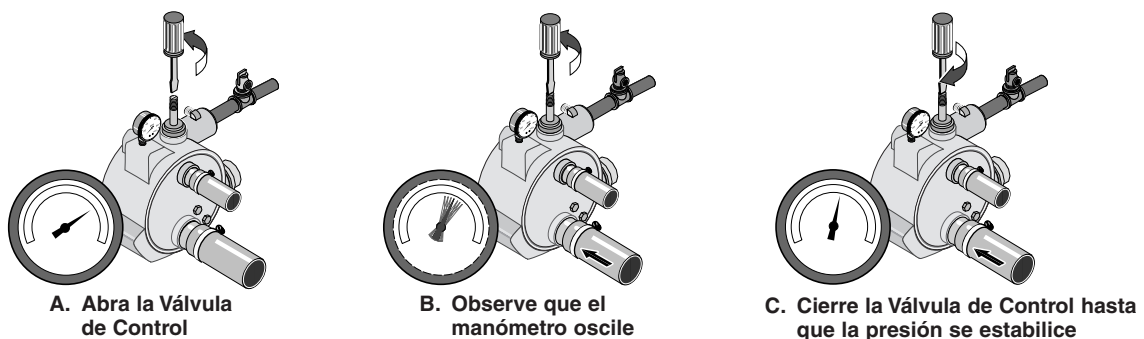


Figura 16: Configure la válvula de control



Figura 17: Vuelva a colocar el tapón de relleno y llene la bomba

Si usted no tuvo éxito, por favor consulte la sección de Localización de Fallas o llame a nuestro personal técnico de servicio al cliente.

⚠ PRECAUCIÓN Peligro de quemadura. Nunca ponga a funcionar la bomba en seco. Poner a funcionar la bomba sin agua puede ocasionarle sobre- calentamiento, puede dañar el sello y, posiblemente, causar quemaduras a las personas que la estén manejando. Llene la bomba con agua antes de activarla.

⚠ ADVERTENCIA Presión peligrosa. Riesgo de explosión. Nunca ponga a funcionar una bomba hacia una descarga cerrada. Hacerlo puede ocasionar que el agua en el interior de la bomba hierva, produciendo una presión peligrosa en la unidad, un riesgo de explosión y posibles quemaduras con el agua a la persona que esté manejando la bomba.

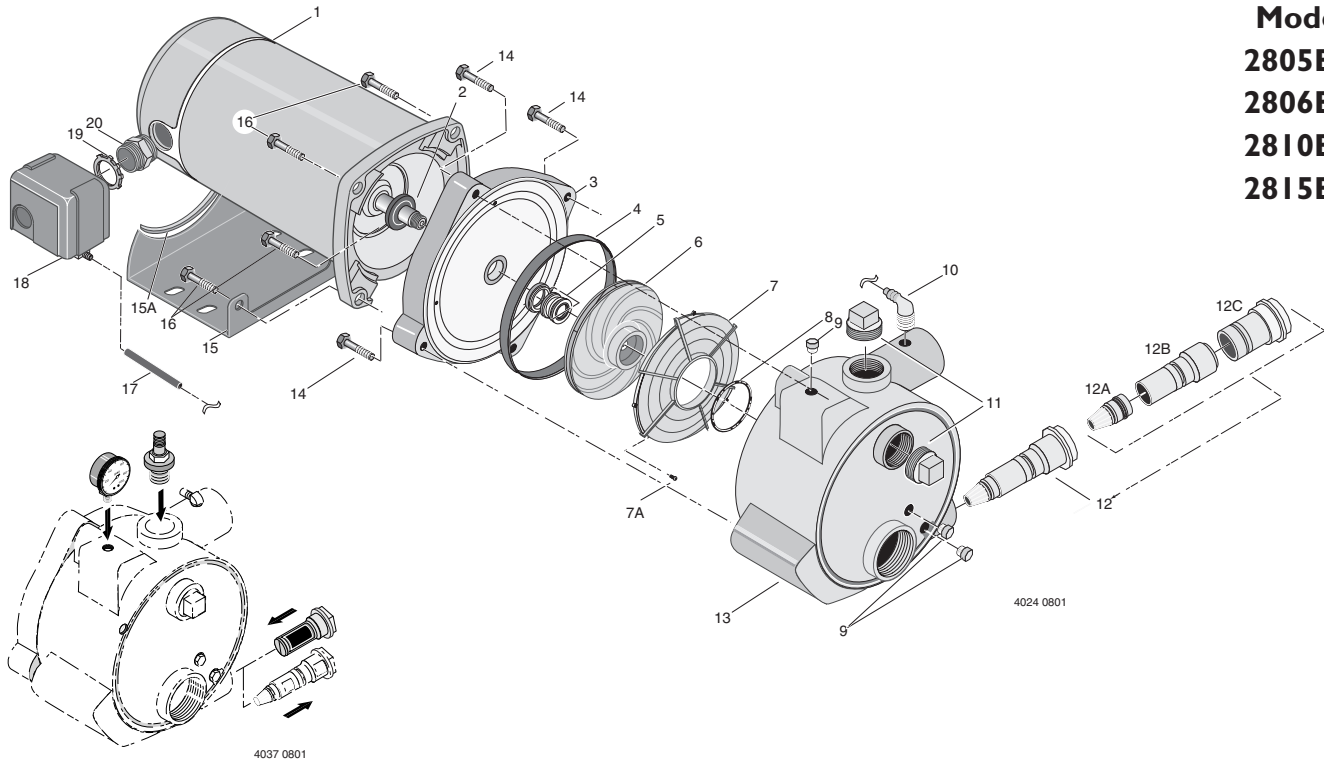
1. Saque el tapón de relleno y llene la bomba (ver la figura 17). Llene toda la tubería entre la bomba y el pozo, asegurándose de que toda la tubería en el pozo esté llena. Si también ha instalado un tubo en T de cebar en la tubería de aspiración, saque el tapón del tubo en T y llene la tubería de aspiración.
2. Vuelva a colocar el tapón de relleno.
3. ¡Enciéndala! Active la bomba. La bomba deberá bombear agua en dos o tres minutos.
4. Si no se obtiene agua después de 2 ó 3 minutos, detenga la bomba y retire los tapones de relleno. Vuelva a llenar la bomba y la tubería. Es posible que usted deba repetir esto dos o tres veces para sacar todo el aire atrapado en la tubería.
5. Después de que la bomba haya producido presión en el sistema y esté apagada, verifique la operación del interruptor a presión abriendo una llave o dos y dejando correr suficiente agua para descargar la presión hasta que la bomba se active. La bomba deberá activarse cuando la presión caiga a 30 PSI y se deberá detener cuando la presión alcance los 50 PSI. Haga funcionar la bomba durando uno o dos ciclos completos para verificar que esté funcionando correctamente. Esto también le ayudará a limpiar el sistema del polvo y la oxidación acumulados durante la instalación.

Felicitaciones por una instalación exitosa.

Si usted no tuvo éxito, por favor pase a la sección de Localización de Fallas o llame a nuestro personal técnico de servicio al cliente.

PROBLEMA	CAUSA(S) PROBABLE(S)	ACCIÓN CORRECTIVA
El motor no enciende	<p>El interruptor de desconexión está apagado</p> <p>El fusible está quemado o el circuito interruptor se abrió</p> <p>El interruptor de encendido está defectuoso</p> <p>Los cables en el motor están sueltos, desconectados o conectados incorrectamente.</p> <p>Los contactos del interruptor de presión están sucios.</p>	<p>Asegúrese de que el interruptor esté encendido</p> <p>Reemplace el fusible o vuelva a cerrar el circuito interruptor</p> <p>DESCONECTE LA ENERGÍA; reemplace el interruptor de encendido</p> <p>Vea las instrucciones sobre las conexiones eléctricas en la sección de Electricidad.</p> <p>DESCONECTE LA ENERGÍA; revise y ajuste toda la conexión eléctrica.</p> <p>⚠ ADVERTENCIA El voltaje del capacitor puede ser peligroso. Para descargar el capacitor del motor, tome un desatornillador con mango aislado POR EL MANGO y ponga en corto las terminales del capacitor. No toque la superficie de metal del desatornillador ni las terminales del capacitor. Si tiene alguna duda, consulte a un electricista calificado.</p> <p>DESCONECTE LA ENERGÍA y lime los contactos con lima de papel o lima para uñas.</p>
El motor se calienta y la sobre carga lo enciende	<p>El motor está conectado incorrectamente</p> <p>El voltaje es muy bajo</p> <p>Los ciclos de la bomba son muy frecuentes</p>	<p>Vea las instrucciones sobre las conexiones eléctricas</p> <p>Verifique con la compañía de energía eléctrica. Instale un cableado de mayor calibre si éste es muy pequeño (Vea la Tabla de Cableado/Electricidad)</p> <p>Vea la sección a continuación sobre ciclos frecuentes.</p>
El motor funciona pero no sale agua*	<p>La bomba en una instalación nueva no recogió el cebado debido a:</p> <ol style="list-style-type: none"> 1. Cebado inadecuado 2. Fugas de aire 3. Fugas en la válvula de retención o en la válvula "check" <p>La bomba ha perdido cebado debido a:</p> <ol style="list-style-type: none"> 1. Fugas de aire 2. Nivel de agua por debajo de la entrada de la tubería de succión <p>La válvula de retención o el filtro están tapados</p> <p>El eyector o el impulsor están tapados</p> <p>La válvula "check" o la válvula de retención están tapadas o cerradas</p> <p>Las tuberías están congeladas</p> <p>La válvula de retención y/o el filtro están enterradas en arena o lodo</p> <p>El nivel de agua es muy bajo para que la instalación para pozo poco profundo entregue agua.</p>	<p>En una instalación nueva:</p> <ol style="list-style-type: none"> 1. Vuelva a cebarla de según las instrucciones 2. Revise todas las conexiones en la línea de succión, CVA y el eyector 3. Reemplace la válvula de retención o la válvula "check" <p>En una instalación que ya esté en uso:</p> <ol style="list-style-type: none"> 1. Revise todas las conexiones en la línea de succión y ajuste el sello 2. Baje la línea de succión hacia el agua y vuelva a cebar. Si la disminución del nivel de agua excede el levantamiento de succión, es necesario instalar una bomba para pozo profundo <p>Limpie la válvula de retención o el filtro</p> <p>Limpie el eyector o el impulsor</p> <p>Reemplace la válvula "check" o la válvula de retención.</p> <p>Descongele las tuberías. Entierre las tuberías debajo de la línea de congelación.</p> <p>Caliente la casa de bombas o el foso</p> <p>Eleve la válvula de retención y/o el filtro sobre el fondo de la fuente de agua.</p> <p>Limpie la válvula de retención y el filtro.</p> <p>Posiblemente requiera un paquete tipo "jet" para pozo profundo (más de 25 pies del agua) para entregar agua</p>
La bomba no produce agua a toda su capacidad	<p>El nivel del agua en el pozo profundo es menor que el que se calculó</p> <p>La tubería de acero (si se utilizó) está corroída u oxidada, ocasionando una fricción excesiva</p> <p>El tamaño de la tubería es muy pequeño</p>	<p>Reemplace la boquilla y el venturi con la combinación correcta para el pozo; baje el eyector al nivel correcto en el pozo</p> <p>Reemplace con tubería de plástico donde sea posible, o de lo contrario con tubería nueva de acero</p> <p>Utilice tubería más grande</p>
La bomba entrega agua pero no se apaga o los ciclos de bombeo son muy frecuentes	<p>El interruptor de presión está desajustado o los contactos están soldados juntos</p> <p>Se dejaron las llaves abiertas</p> <p>El venturi, la boquilla o el impulsor están tapados</p> <p>El nivel de agua en el pozo profundo es menor de que se calculó</p> <p>El tanque de presión estándar está tapado por agua y no tiene amortiguador de aire</p> <p>Las tuberías presentan fugas</p> <p>Las válvulas de retención presentan fugas</p> <p>La carga de aire es muy baja en el tanque pre-cargado</p>	<p>DESCONECTE LA ENERGÍA; ajuste o reemplace el interruptor de presión</p> <p>Cierre las llaves</p> <p>Limpie el venturi, la boquilla o el impulsor</p> <p>Reemplace la boquilla y el venturi con la combinación correcta para el pozo</p> <p>Drene el tanque al orificio de control de volumen de aire. Revise que el CVA no presente defectos. Verifique que no haya fugas de aire en ninguna conexión.</p> <p>Revise las conexiones</p> <p>Reemplace la válvula de retención</p> <p>DESCONECTE LA ENERGÍA y abra las llaves hasta que la presión haya sido liberada. Mida la presión del aire en el tanque con un calibrador de neumáticos en el vástago de la válvula que se encuentra en el tanque. Si la presión es menor a la de cierre del interruptor de presión (30 - 50 PSI), bombee aire hacia el tanque desde una fuente externa hasta que la presión del aire sea 2 PSI menos que la presión de cierre del interruptor. Verifique que no haya fugas en la válvula de aire (utilice una solución jabonosa) y reemplace el centro si es necesario.</p>
Sale aire de las llaves	<p>La bomba está jalando el cebado</p> <p>Fuga en el lado de la succión de la bomba</p> <p>El pozo es gaseoso</p> <p>Sobre-bombeo intermitente del pozo, (agua sacada de abajo de la válvula de retención)</p>	<p>Cuando la válvula recoge el cebado, todo el aire será liberado</p> <p>La tubería de succión está succionando aire. Verifique que no haya fugas en las juntas.</p> <p>Consulte a la fábrica sobre la instalación de una camisa en el pozo</p> <p>Baje la válvula de retención si es posible, si no restrinja la descarga de la bomba.</p>

Modelos
2805E-01
2806E-01
2810E-01
2815E-01



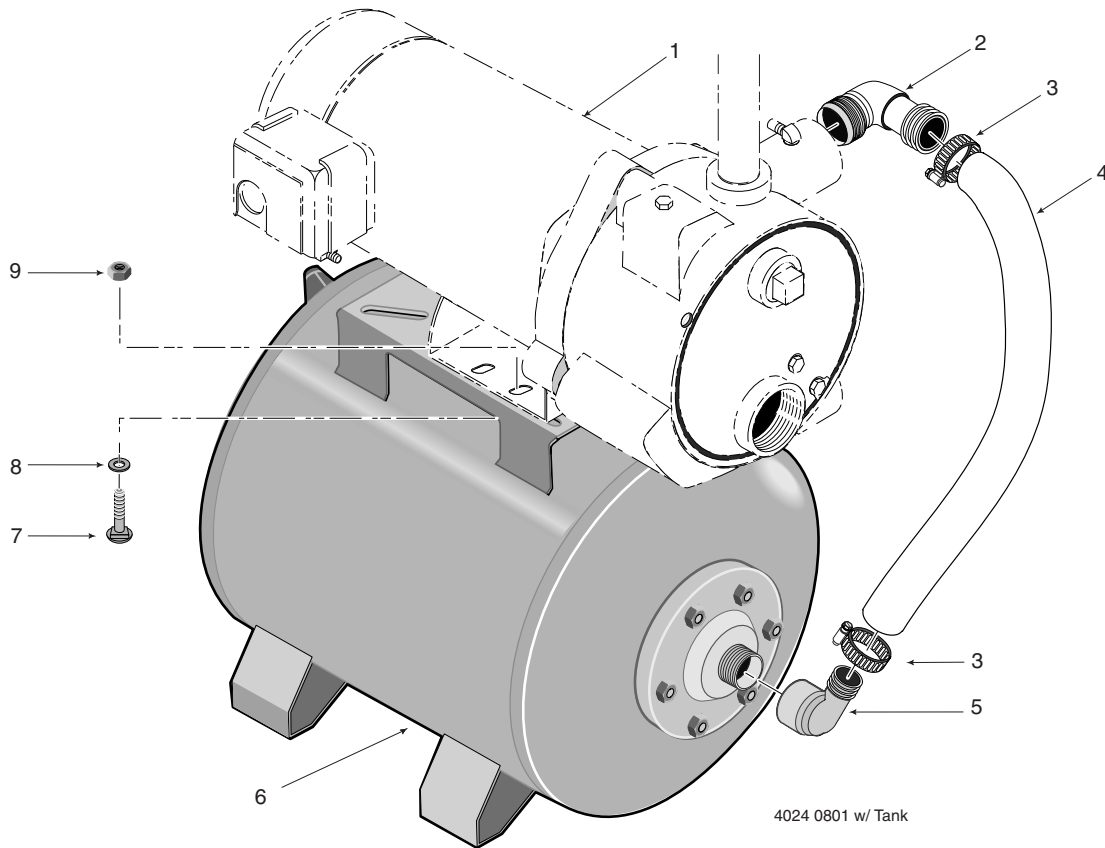
Juego de conversión para pozo profundo Modelo MDWC – Se compra por separado

Clave No.	Descripción de la Pieza	Cant.	2805E-01 2806E-01 1/2 HP	2810E-01 3/4 HP	2815E-01 1 HP
1	Motor	1	J218-577PKG	J218-590PKG	J218-596PKG
2	Deflector de agua	1	17351-0009	17351-0009	17351-0009
3	Placa de estancamiento	1	L3-28	L3-28	L3-28A
4	Junta de la placa de estancamiento	1	345-038	345-038	345-038
5	Sello del eje	1	U109-6A	U109-6A	U109-6A
6	Impulsor	1	C105-258P	C105-258PA	C105-258PB
7	Difusor	1	595-110	595-110	595-109
7A	Tornillos, difusor	3	670-698	670-698	670-698
8	Aro tórico del difusor	1	546-032	546-032	546-032
9	Tapón de tubería, 3/4" NPT, cabeza hexagonal	3	U78-941ZPV	U78-941ZPV	U78-941ZPVP
10	Conexión rápida – codo	1	U111-212T	U111-212T	U111-212T
11	Tapón de tubería, 1" NPT, cabeza cuadrada	2	U78-61GPS	U78-61GPS	U78-61GPS
12	Unidad de inyector para pozo poco profundo	1	992-872	992-873	992-874
12A	Boquilla	1	541-010	541-008	541-009
12B	Tubo Venturi	1	830-057	830-055	830-056
12C	Caperuza para pozo profundo	1	143-093	143-093	143-093
13	Cuerpo de bomba	1	404-144	404-144	404-144
14	Tornillos prisioneros	4	U30-75ZP	U30-75ZP	U30-75ZP
15	Base	1	J104-9	J104-9	J104-9
15A	Disco del motor	1	C35-5	C35-5	C35-5
16	Tornillo prisionero	2	U30-74ZP	U30-74ZP	U30-74ZP
17	Tubería, interruptor a presión	1	U37-673ZP	U37-673ZP	U37-673ZP
18	Interruptor a presión	1	U217-1218	U217-1218	U217-1202
19	Contratuerca	1	U36-112ZP	U36-112ZP	U36-112ZP
20	Conector	1	L43-5C	L43-5C	L43-5C

El juego de conversión para pozo profundo Modelo MDWC se compra por separado. El juego incluye un Tapón para Pozo Profundo (reemplaza el Inyector para Pozo Poco Profundo), una Válvula de Control (reemplaza el Tapón de Relleno) y un Manómetro.

Si necesita repuestos o asistencia llame al Servicio al Cliente de Simer, 1-800-468-7867/1-800-546-7867

Modelo 2806E-01



Clave No.	Descripción de la Pieza	Cant.	2806E-01 1/2 HP
1	Bomba	1	†
2	Accesorio, PVC	1	322-006
3	Abrazadera, manguera	2	U19-55SS
4	Manguera, transparente	1	403-005
5	Accesorio, 90 grados	1	322-004
6	Tanque, HT7, 15 galones, horizontal	1	HT7-02
7	Perno de coche	2	U30-231ZP
8	Arandela, 3/8" reg. 1-7/16"	2	U43-62ZP
9	Tuerca	2	U36-37ZP
**	Unidad de bomba/tanque	1	992-871

† Para repuestos de la bomba, consulte la página anterior.

** Incluye los números de clave 2, 3, 5, 7, 8 y 9 más la Unidad de Inyector para Pozo Poco Profundo No. 992-872.