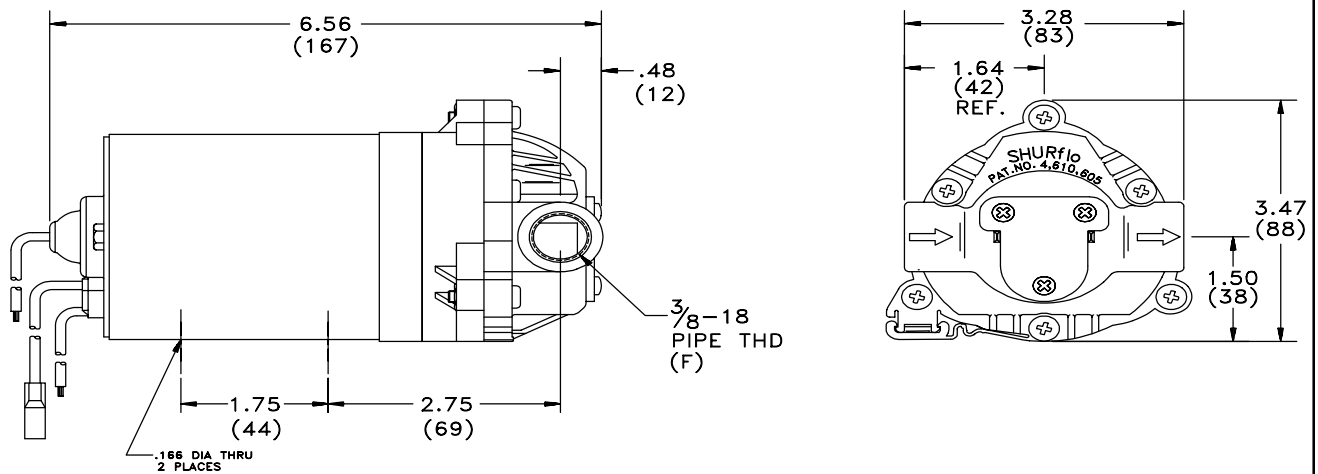


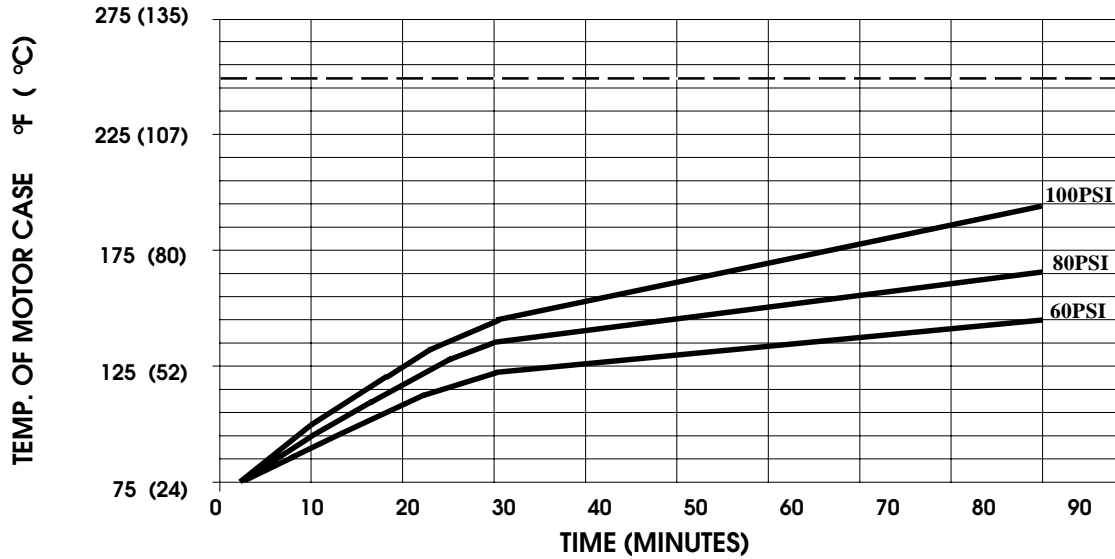
SPECIFICATIONS:

MODEL NUMBER: 8095-911-269
PUMP DESIGN: Positive Displacement 3 Chamber Diaphragm Pump
CAM: 2.0 Degree
MOTOR: Permanent Magnet, P/N 11-160-00, Thermally Protected
VOLTAGE: 230 VAC Nominal
PRESSURE SWITCH: None
LIQUID TEMPERATURE: 180 Degrees Fahrenheit (82 Degrees Centigrade) Max.
PRIME: Self-Priming Up To 7.5 Ft. Vertical,
 Max. Inlet Pressure 30 PSI (2.1 Bar)
PORTS: 3/8"-18 NPT Female
MATERIAL OF CONSTRUCTION:
 PLASTICS- Nylon
 VALVES- EPDM
 DIAPHRAGM- Santoprene
 FASTENERS- Zinc Plated Steel
NET WEIGHT: 3.5 Lbs (1.6 Kg)
DUTY CYCLE: Intermittent (See Temperature Rise Chart)
APPROVALS: VDE Approved, NSF Listed
TYPICAL APPLICATIONS: Booster Pump - Carbonator
BYPASS: 100 PSI

DIMENSIONS:



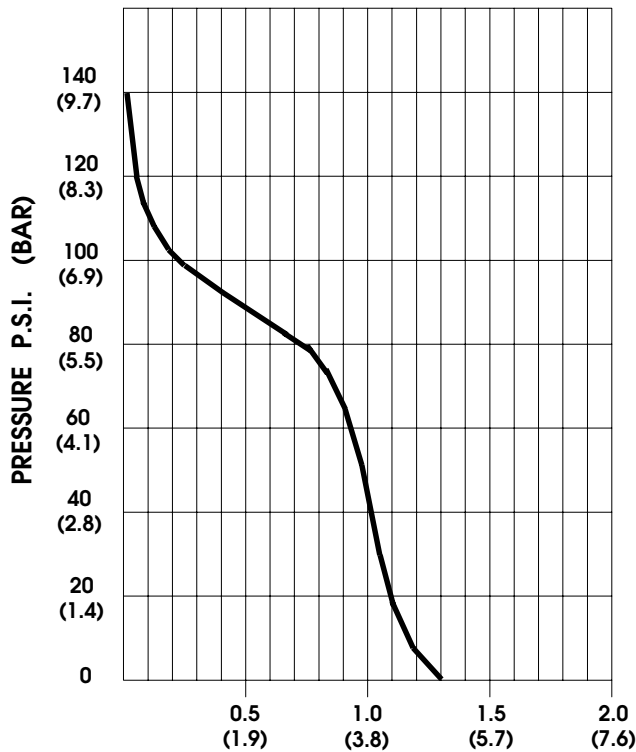
TEMPERATURE RISE



THIS GRAPH IS FOR USE AS A DESIGN GUIDE. IT IS BASED ON RUNNING CONTINUOUSLY WITH AN AMBIENT TEMPERATURE OF 70°F IN STILL AIR. THE THERMAL BREAKER WILL OPEN WHEN THE CASE TEMPERATURE REACHES 250°F.

[----- TRIP POINT OF THERMAL PROTECTOR]

TYPICAL PERFORMANCE



PRESSURE (PSI)	FLOW (GPM/LIT)	RPM MIN/MAX	CURRENT (AMPS)	VOLTAGE (VOLTS)
OPEN	1.28/4.8	1235/1310	0.13	230VAC
10	1.20/4.5	1185/1250	0.15	"
20	1.07/4.0	1120/1185	0.17	"
30	0.98/3.7	1080/1130	0.18	"
40	0.93/3.5	1020/1080	0.21	"
50	0.87/3.3	965/1020	0.23	"
60	0.80/3.0	915/965	0.25	"
70	0.76/2.9	875/920	0.27	"
80	0.71/2.7	810/835	0.29	"
100	0.57/2.2	720/740	0.33	"
120	0.20/0.8	660/670	0.36	"

FLOW - GALLONS PER MINUTE (LITERS PER MINUTE)

-SPECIFICATIONS SUBJECT TO CHANGE WITHOUT NOTICE.

-ALL DATA BASED ON TESTING WITH WATER AT AMBIENT TEMPERATURE.