

### SPECIFICATIONS:

**MODEL NUMBER:** 8090-802-278

**PUMP DESIGN:** Positive Displacement 3 Chamber Diaphragm Pump

**CHECK VALVE:** (2-Way Op.) Prevents Reverse Flow & 6 Ft. Head Forward Flow

**CAM:** 2.5 Degree

**MOTOR:** Permanent Magnet, P/N 11-160-10, Thermally Protected

**VOLTAGE:** 230 VAC Nominal

**PRESSURE SWITCH:** Adjustable Shut-Off (Range 80-100 PSI)

Factory Set @ 100 PSI, Turn On 85 PSI 5±PSI

**LIQUID TEMPERATURE:** 180 Degrees Fahrenheit (82 Degrees Centigrade) Max.

**PRIME:** Self-Priming Up To 7.0 Ft. Vertical,

Max. Inlet Pressure 30 PSI (2.1 Bar)

**PORTS:** 3/8"-18 NPT Female

**MATERIAL OF CONSTRUCTION:**

**PLASTICS-** Nylon

**VALVES** Viton

**DIAPHRAGM-** Santoprene

**FASTENERS-** Zinc Plated Steel

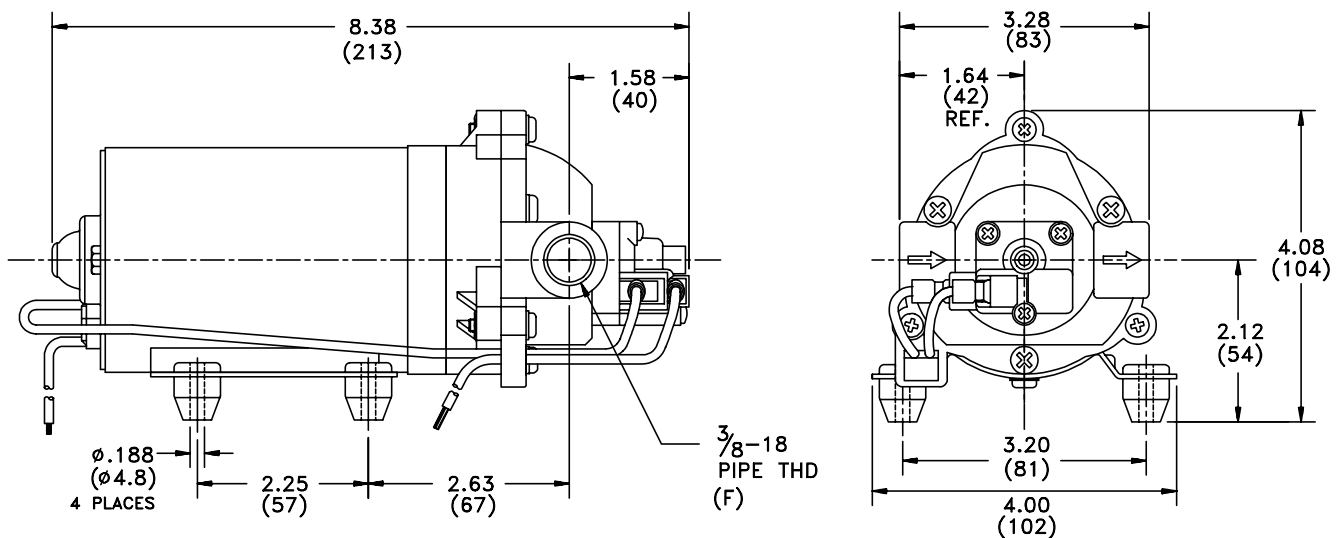
**NET WEIGHT:** 4.8 Lbs (2.18 Kg)

**DUTY CYCLE:** Intermittent (See Temperature Rise Chart)

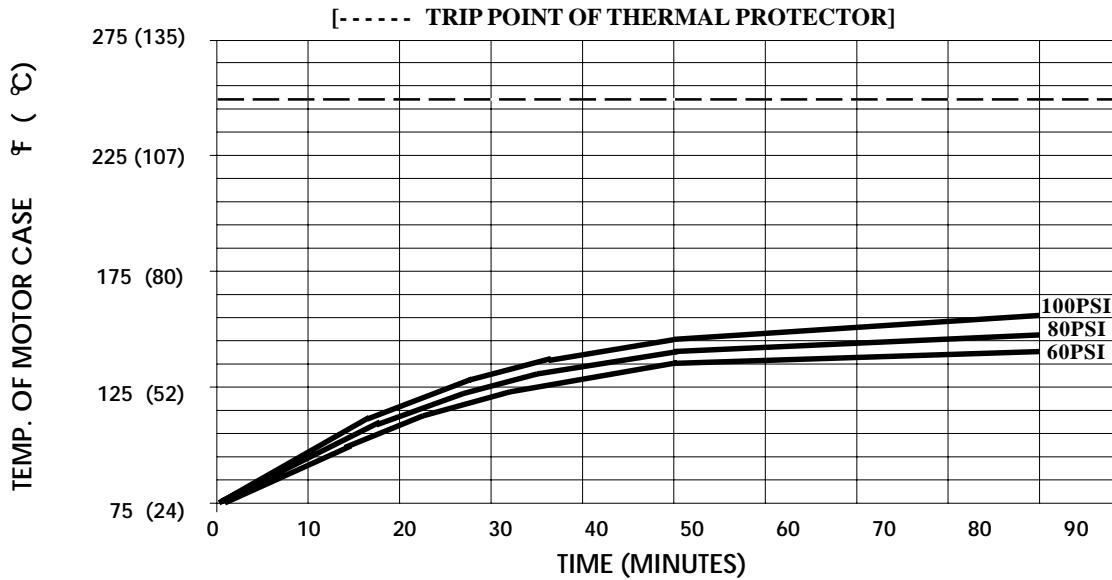
**TYPICAL APPLICATIONS:** Soil Extraction

**APPROVALS:** VDE Approved

### DIMENSIONS:

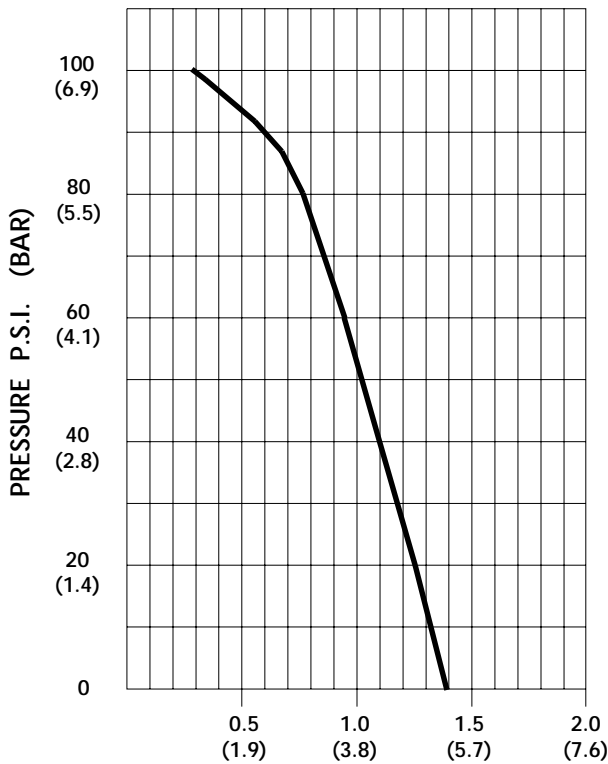


### TEMPERATURE RISE



THIS GRAPH IS FOR USE AS A DESIGN GUIDE. IT IS BASED ON RUNNING CONTINUOUSLY WITH AN AMBIENT TEMPERATURE OF 70°F IN STILL AIR. THE THERMAL BREAKER WILL OPEN WHEN THE CASE TEMPERATURE REACHES 250°F.

### TYPICAL PERFORMANCE



PRESSURE (PSI)	FLOW (GPM/LIT)	RPM MIN/MAX	CURRENT (AMPS)	VOLTAGE (VOLTS)
OPEN	1.42/5.4	2520/2540	0.20	230VAC
10	1.34/5.1	2445/2465	0.22	"
20	1.25/4.7	2380/2400	0.25	"
30	1.17/4.4	2315/2330	0.27	"
40	1.09/4.1	2245/2265	0.30	"
50	1.00/3.8	2205/2215	0.33	"
60	0.94/3.6	2155/2165	0.36	"
70	0.87/3.3	2095/2120	0.40	"
80	0.77/2.9	2055/2075	0.44	"
90	0.59/2.2	2010/2045	0.49	"
100	0.28/1.1	1955/2015	0.50	"

FLOW - GALLONS PER MINUTE (LITERS PER MINUTE)

*-SPECIFICATIONS SUBJECT TO CHANGE WITHOUT NOTICE.*

*-ALL DATA BASED ON TESTING WITH WATER AT AMBIENT TEMPERATURE.*