

SPECIFICATIONS:

MODEL NUMBER: 8090-802-270

PUMP DESIGN: Positive Displacement 3 Chamber Diaphragm Pump

CHECK VALVE: (2-Way Op.) Prevents Reverse Flow & 6 Ft. Head Forward Flow

CAM: 2.5 Degree

MOTOR: Permanent Magnet, P/N 11-160-10, Thermally Protected

VOLTAGE: 230 VAC Nominal

PRESSURE SWITCH: None

LIQUID TEMPERATURE: 180 Degrees Fahrenheit (82 Degrees Centigrade) Max.

PRIME: Self-Priming Up To 9.5 Ft. Vertical,
Max. Inlet Pressure 30 PSI (2.1 Bar)

PORTS: 3/8"-18 NPT Female

MATERIAL OF CONSTRUCTION:

PLASTICS- Nylon

VALVES- Viton

DIAPHRAGM- Santoprene

FASTENERS- Zinc Plated Steel

NET WEIGHT: 4.7 Lbs (2.1 Kg)

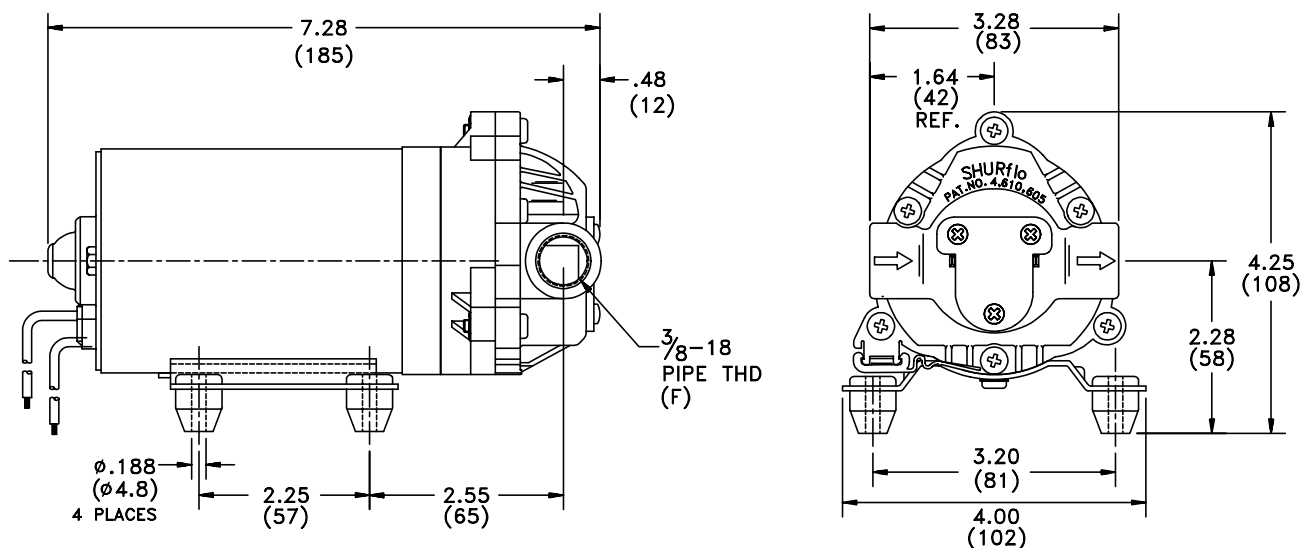
DUTY CYCLE: Intermittent (See Temperature Rise Chart)

APPROVALS: VDE Listed

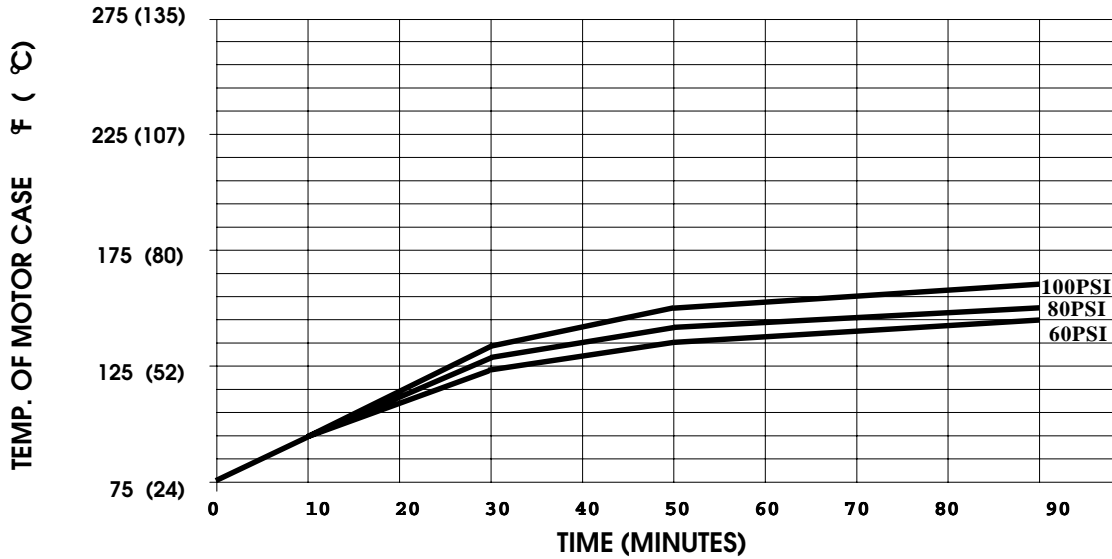
TYPICAL APPLICATIONS: Soil Extraction

BYPASS: 80 PSI

DIMENSIONS:



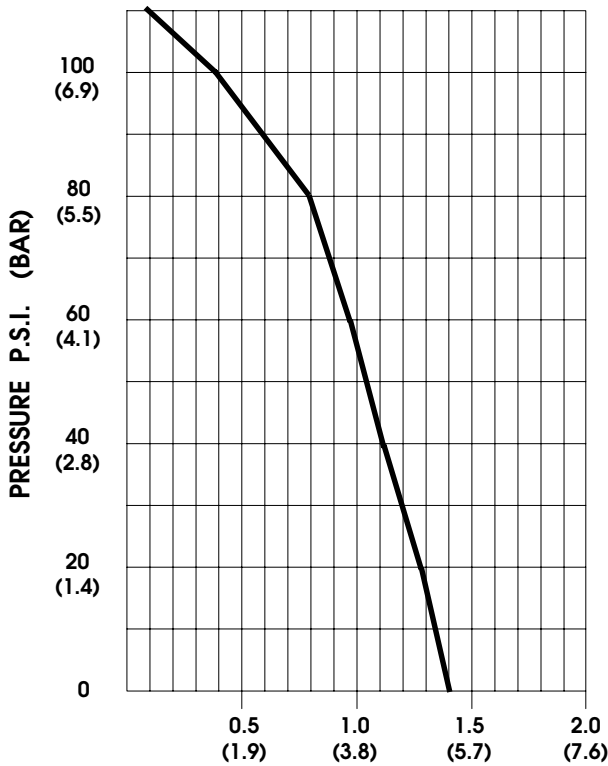
TEMPERATURE RISE



THIS GRAPH IS FOR USE AS A DESIGN GUIDE. IT IS BASED ON RUNNING CONTINUOUSLY WITH AN AMBIENT TEMPERATURE OF 75° F IN STILL AIR. THE THERMAL BREAKER WILL OPEN WHEN THE CASE TEMPERATURE REACHES 250° F.

[- - - - - TRIP POINT OF THERMAL PROTECTOR]

TYPICAL PERFORMANCE



PRESSURE (PSI)	FLOW (GPM/LIT)	RPM MIN/MAX	CURRENT (AMPS)	VOLTAGE (VOLTS)
OPEN	1.38/5.2	2530/2550	0.21	230 VAC
10	1.31/5.0	2435/2445	0.24	"
20	1.26/4.8	2365/2375	0.26	"
40	1.13/4.3	2245/2255	0.33	"
60	1.00/3.8	2130/2160	0.37	"
80	0.80/3.0	2045/2055	0.41	"
100	0.36/1.4	1945/1965	0.46	"

FLOW - GALLONS PER MINUTE (LITERS PER MINUTE)

-SPECIFICATIONS SUBJECT TO CHANGE WITHOUT NOTICE

-ALL DATA BASED ON TESTING WITH WATER AT AMBIENT TEMPERATURE.