

**MODEL: 8075-132-312**

### SPECIFICATIONS:

**MODEL NUMBER:** 8075-132-312

**PUMP DESIGN:** Positive Displacement 3 Chamber Diaphragm Pump

**CAM:** 2.5 Degree

**MOTOR:** Permanent Magnet, P/N 11-147-16

**VOLTAGE:** 24 VDC Nominal

**PRESSURE SWITCH:** None

**LIQUID TEMPERATURE:** 180 Degrees Fahrenheit (82 Degrees Centigrade) Max.

**PORTS:** 3/8"-18 NPT Female

**MATERIAL OF CONSTRUCTION:**

**PLASTICS-** Nylon

**VALVES-** EPDM

**DIAPHRAGM-** Santoprene

**FASTENERS-** Stainless Steel

**NET WEIGHT:** 4.6 Lbs (2.1 Kg)

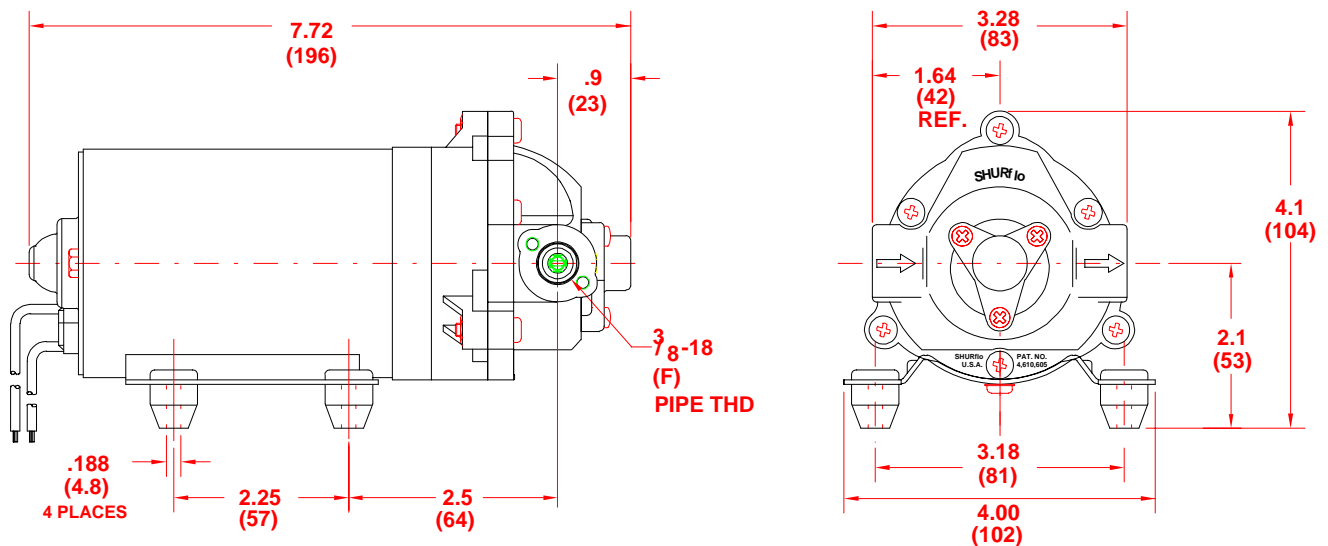
**DUTY CYCLE:** Continuous (See Temperature Rise Chart)

**APPROVALS:** N.S.F. Listed

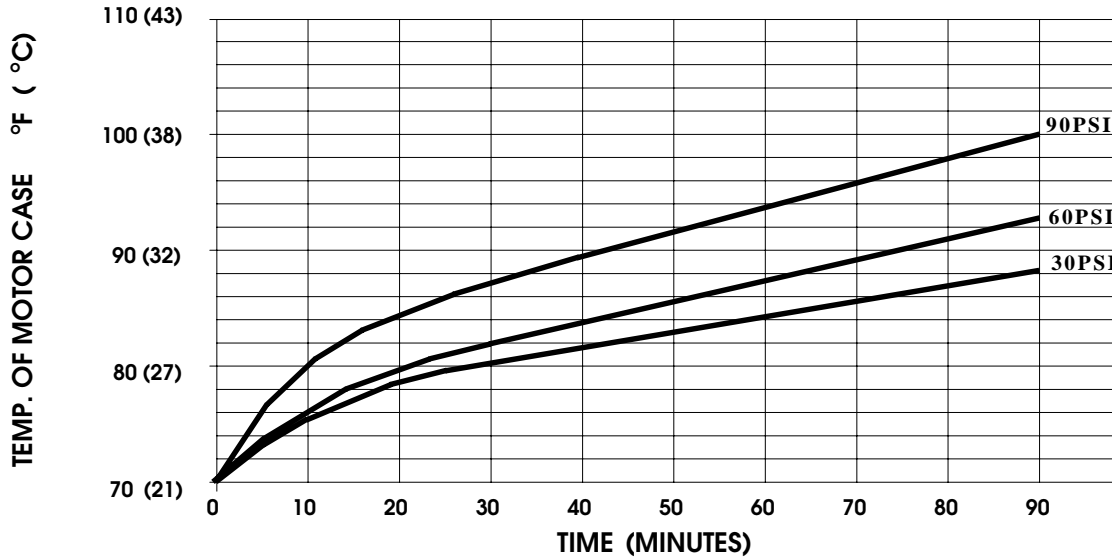
**TYPICAL APPLICATIONS:** R.O. Booster Pump

**BYPASS:** 95 to 115 PSI Max.

### DIMENSIONS:

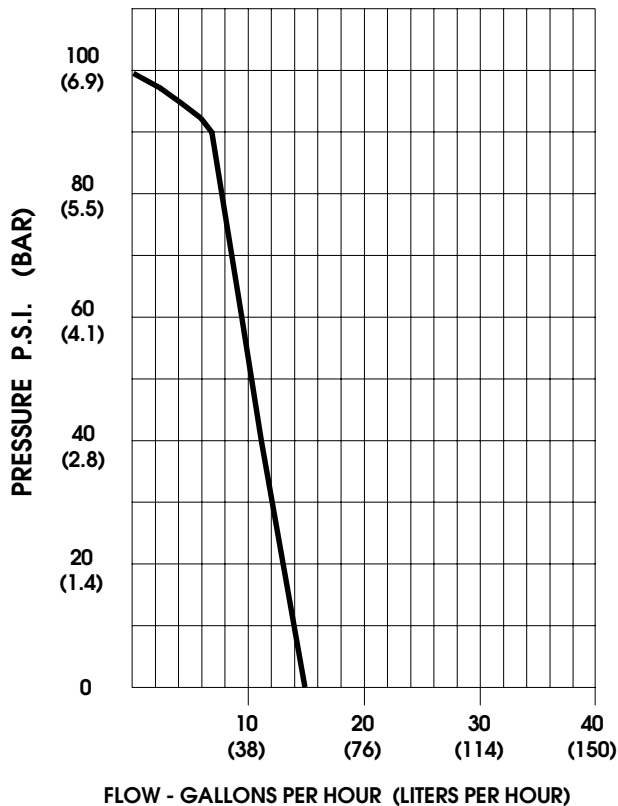


**TEMPERATURE RISE**



THIS GRAPH IS FOR USE AS A DESIGN GUIDE. IT IS BASED ON RUNNING CONTINUOUSLY WITH AN AMBIENT TEMPERATURE OF 70 F IN STILL AIR.

**TYPICAL PERFORMANCE**



PRESSURE (PSI)	FLOW (GPH/LIT)	RPM MIN/MAX	CURRENT (AMPS)	VOLTAGE (VOLTS)
OPEN	15.0/57	400/410	0.15	24 VDC
10	13.7/52	390/400	0.22	"
20	12.9/49	365/375	0.28	"
30	12.1/46	350/355	0.33	"
40	11.2/42	330/335	0.38	"
50	10.4/39	305/325	0.43	"
60	9.5/36	300/305	0.48	"
70	8.7/33	285/290	0.53	"
80	8.0/30	260/265	0.58	"
90	7.1/27	250/255	0.63	"

*-SPECIFICATIONS SUBJECT TO CHANGE WITHOUT NOTICE.  
-ALL DATA BASED ON TESTING WITH WATER.*