

SPECIFICATIONS:

MODEL NUMBER: 8075-121-310

PUMP DESIGN: Positive Displacement 3 Chamber Diaphragm Pump

CAM: 2.0 Degree

MOTOR: Permanent Magnet, P/N 11-188-05

VOLTAGE: 24 VDC Nominal

PRESSURE SWITCH: None

LIQUID TEMPERATURE: 180 Degrees Fahrenheit (82 Degrees Centigrade) Max.

PORTS: 3/8"-18 NPT Female

MATERIAL OF CONSTRUCTION:

PLASTICS- Nylon

VALVES- EPDM

DIAPHRAGM- Santoprene

FASTENERS- Stainless Steel

NET WEIGHT: 4.5 Lbs (2.0 Kg)

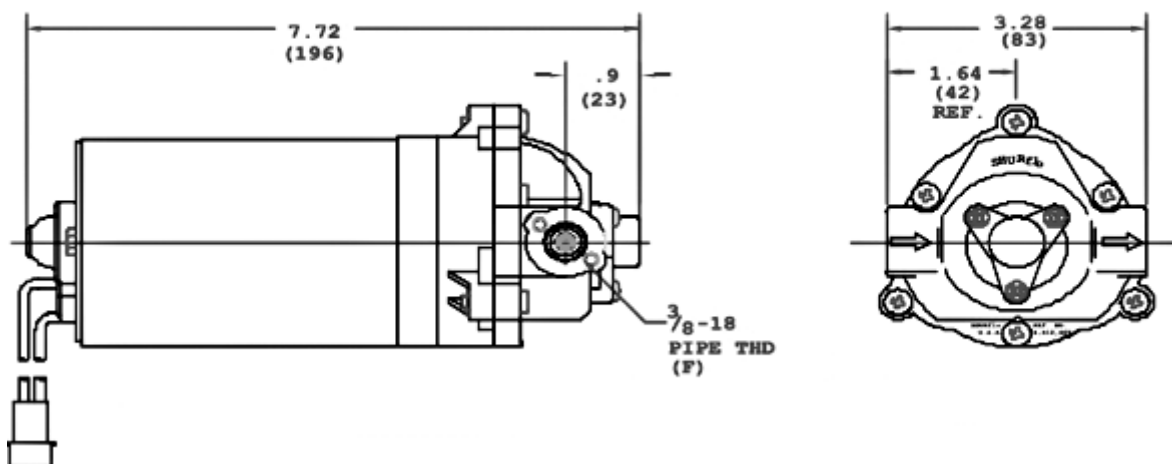
DUTY CYCLE: Continuous (See Temperature Rise Chart)

APPROVALS: N.S.F. Listed

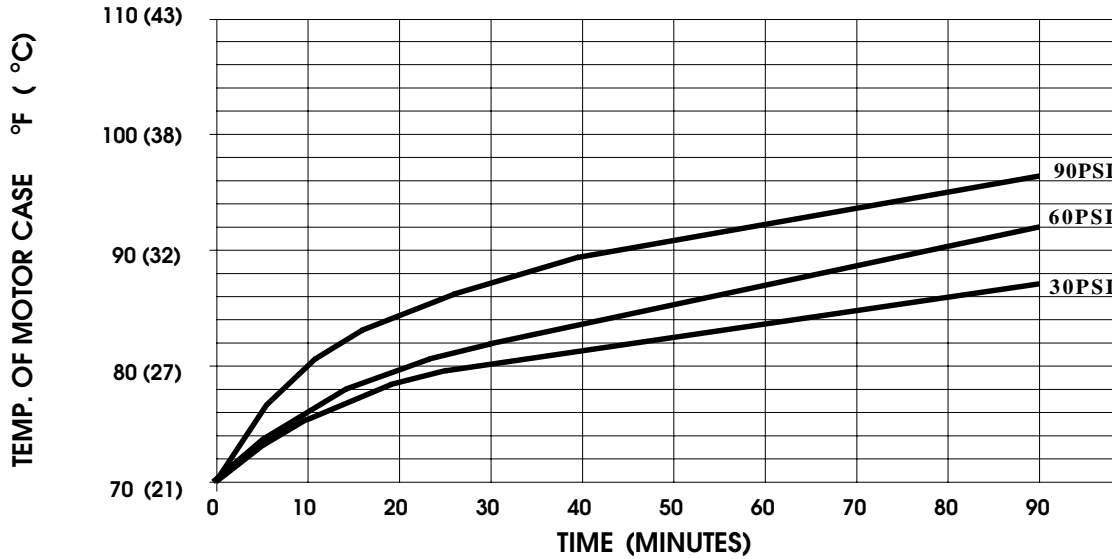
TYPICAL APPLICATIONS: R.O. Booster Pump

BYPASS: 95 to 115 PSI Max.

DIMENSIONS:

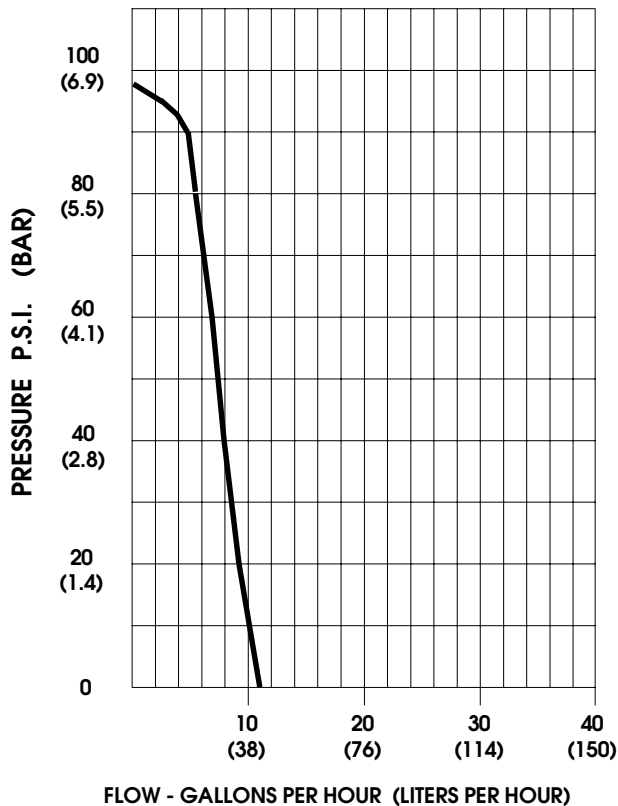


TEMPERATURE RISE



THIS GRAPH IS FOR USE AS A DESIGN GUIDE. IT IS BASED ON RUNNING CONTINUOUSLY WITH AN AMBIENT TEMPERATURE OF 70° F IN STILL AIR.

TYPICAL PERFORMANCE



PRESSURE (PSI)	FLOW (GPH/LIT)	RPM MIN/MAX	CURRENT (AMPS)	VOLTAGE (VOLTS)
OPEN	10.8/41	390/395	0.13	24 VDC
10	9.8/37	370/375	0.16	"
20	9.1/34	350/360	0.20	"
30	8.4/32	340/350	0.24	"
40	7.9/30	320/340	0.27	"
50	7.3/28	310/325	0.30	"
60	6.8/26	300/310	0.33	"
70	6.2/23	280/285	0.36	"
80	5.7/21	270/275	0.39	"
90	5.1/19	250/255	0.41	"

*-SPECIFICATIONS SUBJECT TO CHANGE WITHOUT NOTICE.
-ALL DATA BASED ON TESTING WITH WATER.*