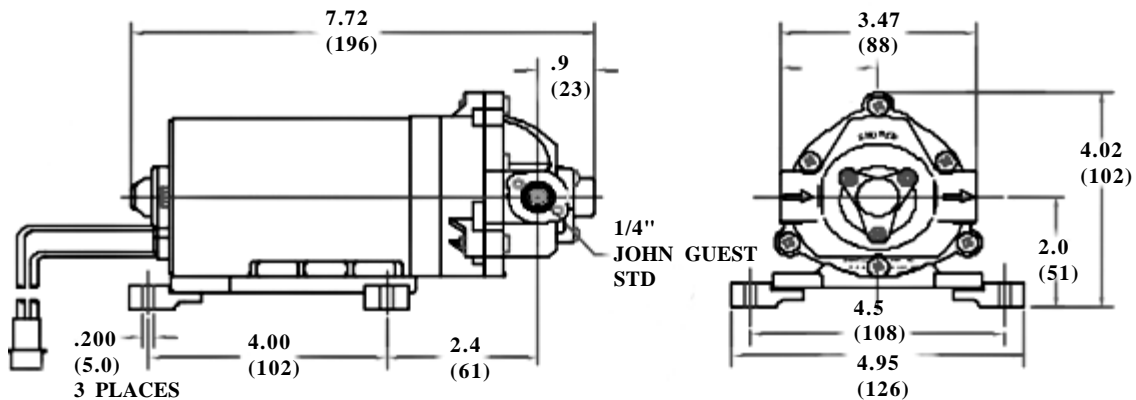


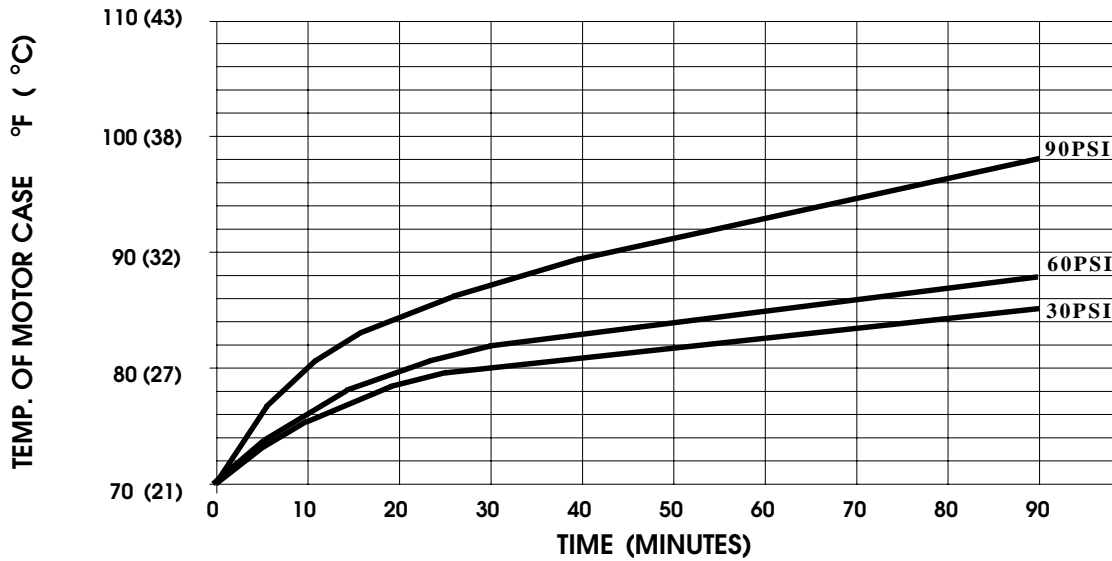
SPECIFICATIONS:

MODEL NUMBER: 8075-111-311
PUMP DESIGN: Positive Displacement 3 Chamber Diaphragm Pump
CAM: 2.0 Degree
MOTOR: Permanent Magnet, P/N 11-225-01
VOLTAGE: 24 VAC Nominal
PRESSURE SWITCH: None
LIQUID TEMPERATURE: 180 Degrees Fahrenheit (82 Degrees Centigrade) Max.
PORTS: 3/8"-18 NPT Female
MATERIAL OF CONSTRUCTION:
 PLASTICS- Nylon
 VALVES- EPDM
 DIAPHRAGM- Santoprene
 FASTENERS- Stainless Steel
NET WEIGHT: 4.6 Lbs (2.1 Kg)
DUTY CYCLE: Continuous (See Temperature Rise Chart)
APPROVALS: N.S.F. Listed
TYPICAL APPLICATIONS: R.O. Booster Pump
BYPASS: 95 to 115 PSI Max.

DIMENSIONS:

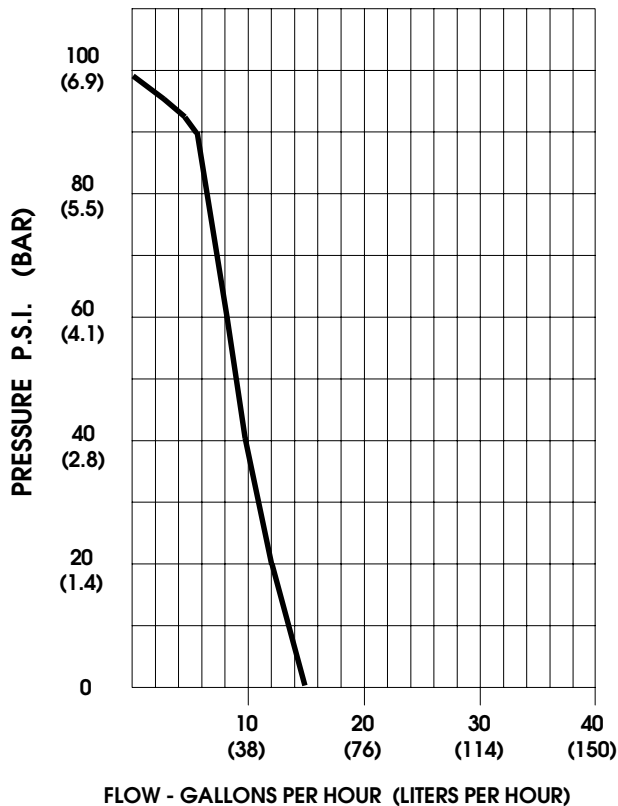


TEMPERATURE RISE



THIS GRAPH IS FOR USE AS A DESIGN GUIDE. IT IS BASED ON RUNNING CONTINUOUSLY WITH AN AMBIENT TEMPERATURE OF 70° F IN STILL AIR.

TYPICAL PERFORMANCE



PRESSURE (PSI)	FLOW (GPH/LIT)	RPM MIN/MAX	CURRENT (AMPS)	VOLTAGE (VOLTS)
OPEN	14.7/56	350/370	0.25	24 VAC
10	13.0/49	350/360	0.32	"
20	11.9/45	340/350	0.38	"
30	10.8/41	320/330	0.44	"
40	9.8/37	310/315	0.49	"
50	8.9/34	300/310	0.54	"
60	8.2/31	290/300	0.58	"
70	7.5/28	280/290	0.62	"
80	6.7/25	270/280	0.66	"
90	5.9/22	260/270	0.70	"

*-SPECIFICATIONS SUBJECT TO CHANGE WITHOUT NOTICE.
-ALL DATA BASED ON TESTING WITH WATER.*