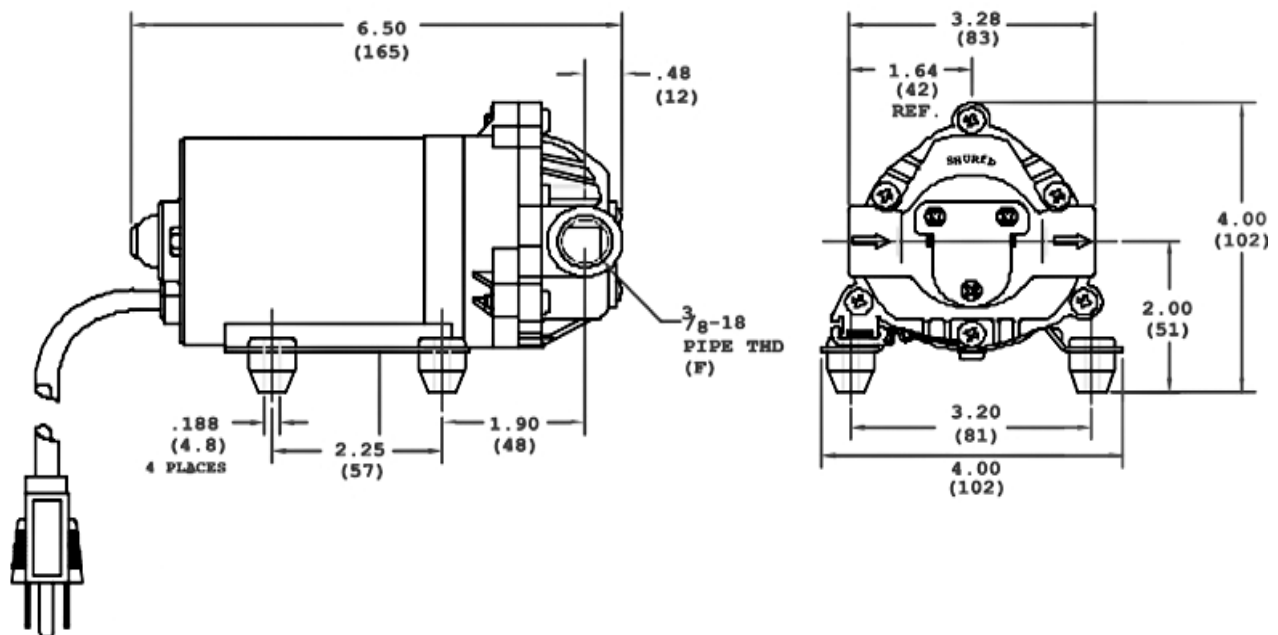


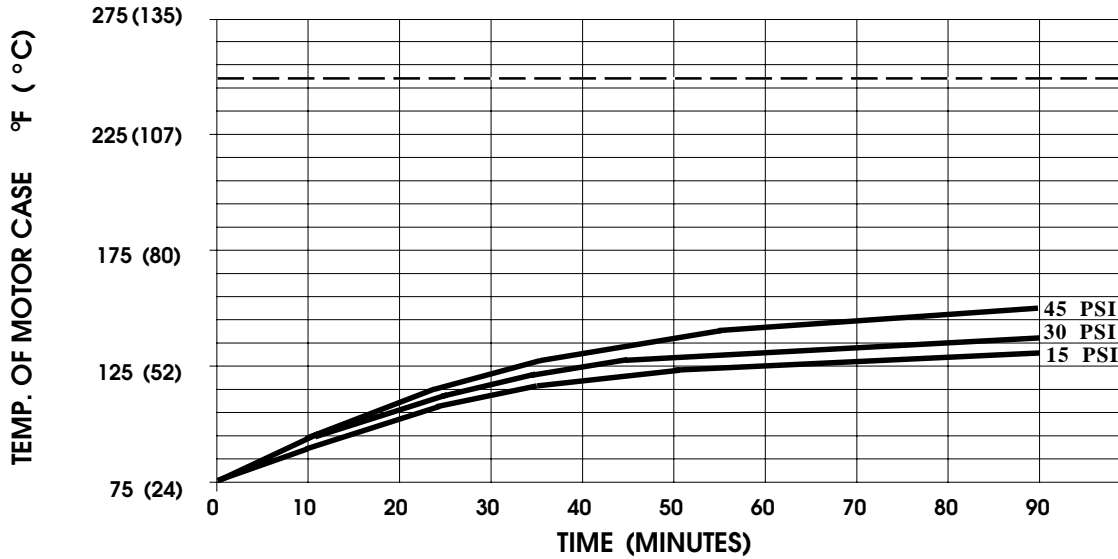
**SPECIFICATIONS:**

**MODEL NUMBER:** 8020-601-250  
**PUMP DESIGN:** Positive Displacement 3 Chamber Diaphragm Pump  
**CAM:** 2.0 Degree  
**MOTOR:** Permanent Magnet, P/N 11-194-00, Thermally Protected  
**VOLTAGE:** 115 VAC Nominal  
**PRESSURE SWITCH:** None  
**LIQUID TEMPERATURE:** 180 Degrees Fahrenheit (82 Degrees Centigrade) Max.  
**PRIME:** Self-Priming Up To 10.5 Ft. Vertical,  
 Max. Inlet Pressure 30 PSI (2.1 Bar)  
**PORTS:** 3/8"-18 NPT Female  
**MATERIAL OF CONSTRUCTION:**  
     **PLASTICS-** Nylon  
     **VALVES-** Buna-n  
     **DIAPHRAGM-** Santoprene  
     **FASTENERS-** Zinc Plated Steel  
**NET WEIGHT:** 4.16 Lbs (1.9 Kg)  
**DUTY CYCLE:** Intermittent (See Temperature Rise Chart)  
**TYPICAL APPLICATIONS:** General Industrial  
**BYPASS:** 45 PSI

**DIMENSIONS:**



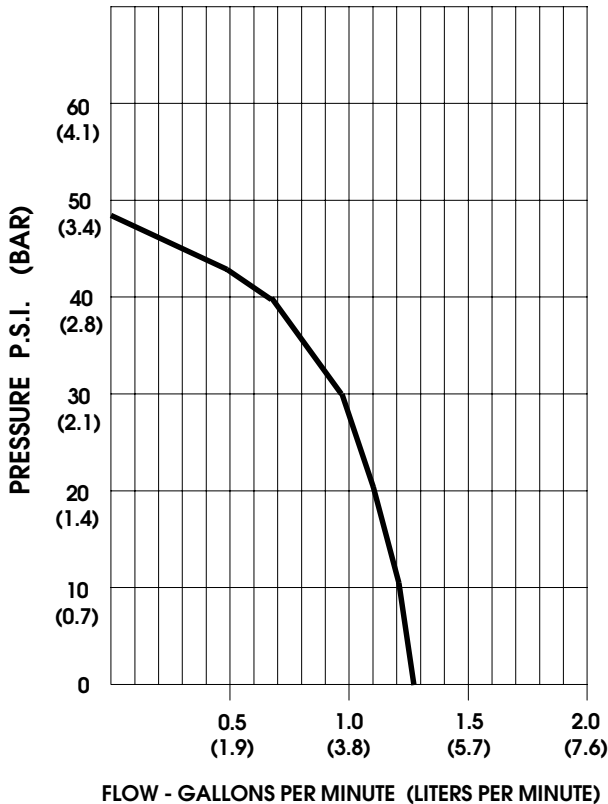
**TEMPERATURE RISE**



THIS GRAPH IS FOR USE AS A DESIGN GUIDE. IT IS BASED ON RUNNING CONTINUOUSLY WITH AN AMBIENT TEMPERATURE OF 75°F IN STILL AIR. THE THERMAL BREAKER WILL OPEN WHEN THE CASE TEMPERATURE REACHES 250°F.

[----- TRIP POINT OF THERMAL PROTECTOR]

**TYPICAL PERFORMANCE**



PRESSURE (PSI)	FLOW (GPM/LIT)	RPM MIN/MAX	CURRENT (AMPS)	VOLTAGE (VOLTS)
OPEN	1.25/4.7	2220/2235	0.29	115VAC
10	1.21/4.6	2155/2165	0.32	"
20	1.10/4.2	2050/2065	0.36	"
30	0.98/3.7	1965/1990	0.42	"
40	0.68/2.6	1860/1950	0.47	"

*-SPECIFICATIONS SUBJECT TO CHANGE WITHOUT NOTICE.*

*-ALL DATA BASED ON TESTING WITH WATER.*