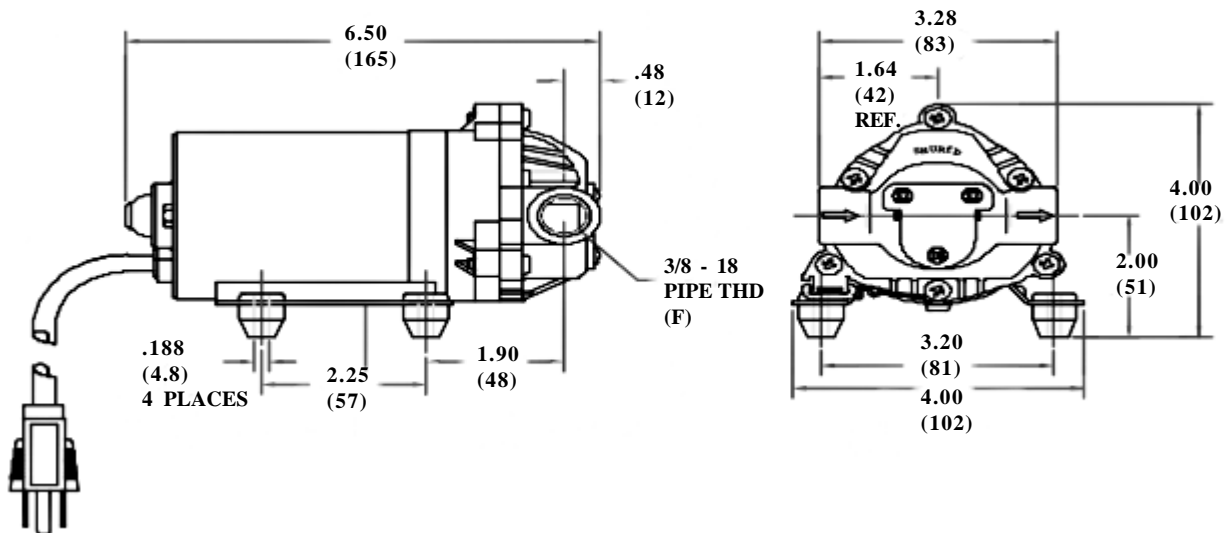


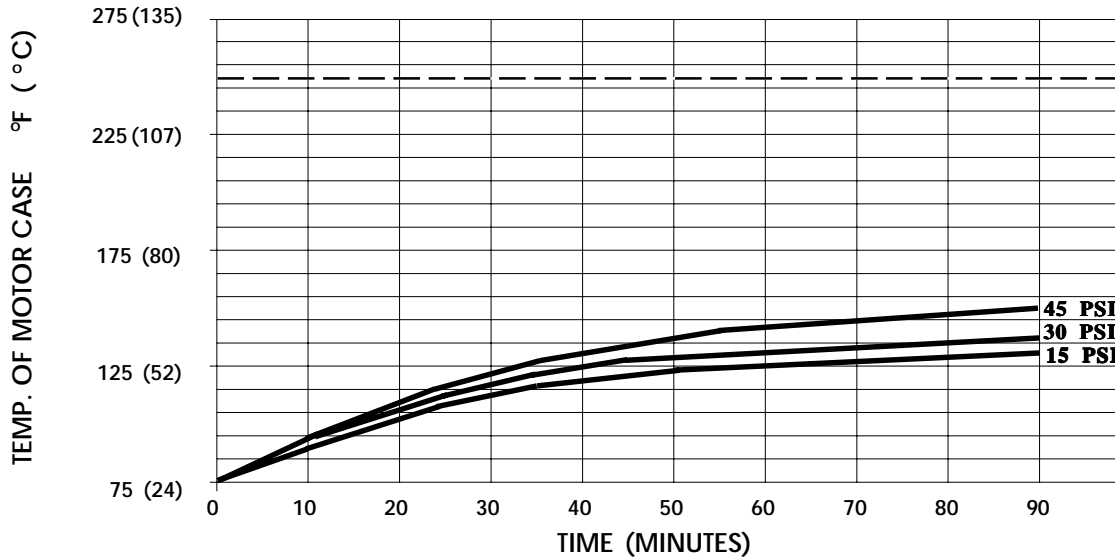
**SPECIFICATIONS:**

**MODEL NUMBER:** 8020-503-250  
**PUMP DESIGN:** Positive Displacement 3 Chamber Diaphragm Pump  
**CAM:** 3.0 Degree  
**MOTOR:** Permanent Magnet, P/N 11-194-00, Thermally Protected  
**VOLTAGE:** 115 VAC Nominal  
**PRESSURE SWITCH:** None  
**LIQUID TEMPERATURE:** 180 Degrees Fahrenheit (82 Degrees Centigrade) Max.  
**PRIME:** Self-Priming Up To 11.0 Ft. Vertical,  
 Max. Inlet Pressure 30 PSI (2.1 Bar)  
**PORTS:** 3/8"-18 NPT Female  
**MATERIAL OF CONSTRUCTION:**  
     **PLASTICS-** Polypropylene  
     **VALVES-** Viton  
     **DIAPHRAGM-** Santoprene  
     **FASTENERS-** Zinc Plated Steel  
**NET WEIGHT:** 4.16 Lbs (1.9 Kg)  
**DUTY CYCLE:** Intermittent (See Temperature Rise Chart)  
**TYPICAL APPLICATIONS:** General Industrial  
**BYPASS:** 45 PSI

**DIMENSIONS:**



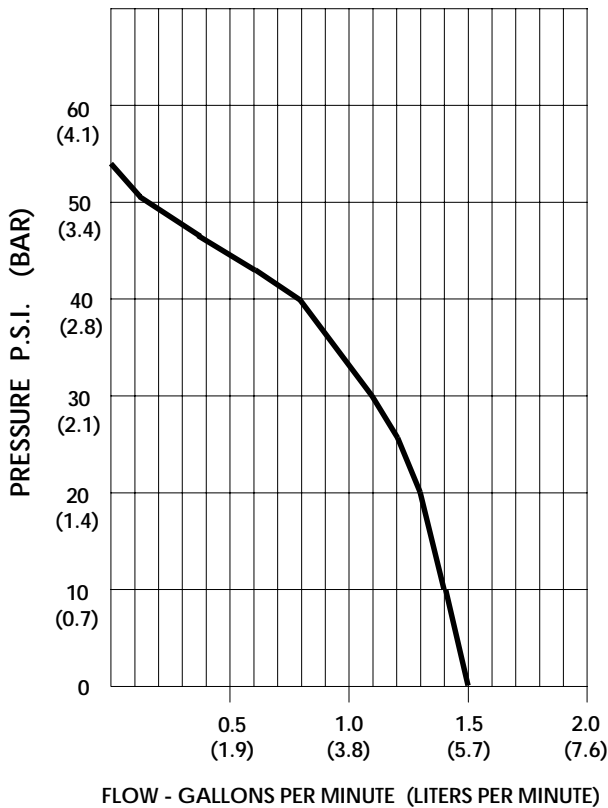
**TEMPERATURE RISE**



THIS GRAPH IS FOR USE AS A DESIGN GUIDE. IT IS BASED ON RUNNING CONTINUOUSLY WITH AN AMBIENT TEMPERATURE OF 75°F IN STILL AIR. THE THERMAL BREAKER WILL OPEN WHEN THE CASE TEMPERATURE REACHES 250°F.

[----- TRIP POINT OF THERMAL PROTECTOR]

**TYPICAL PERFORMANCE**



PRESSURE (PSI)	FLOW (GPM/LIT)	RPM MIN/MAX	CURRENT (AMPS)	VOLTAGE (VOLTS)
OPEN	1.5/5.7	2160/2225	0.33	115VAC
10	1.4/5.3	2070/2105	0.37	"
20	1.3/4.9	1920/1955	0.44	"
30	1.1/4.2	1805/1835	0.50	"
40	0.8/3.0	1710/1725	0.56	"

*-SPECIFICATIONS SUBJECT TO CHANGE WITHOUT NOTICE.*

*-ALL DATA BASED ON TESTING WITH WATER.*