

SHURflo®

MODEL: 8010-102-210

SPECIFICATIONS:

MODEL NUMBER: 8010-102-210

PUMP DESIGN: Positive Displacement 3 Chamber Diaphragm Pump

CAM: 2.5 Degree

MOTOR: Permanent Magnet, P/N 11-169-00

VOLTAGE: 24 VAC Nominal

PRESSURE SWITCH: None

LIQUID TEMPERATURE: 180 Degrees Fahrenheit (82 Degrees Centigrade) Max.

PORTS: 3/8"-18 NPT Female

MATERIAL OF CONSTRUCTION:

PLASTICS- Nylon

VALVES- EPDM

DIAPHRAGM- Santoprene

FASTENERS- Stainless Steel

NET WEIGHT: 4.6 Lbs (2.08 Kg)

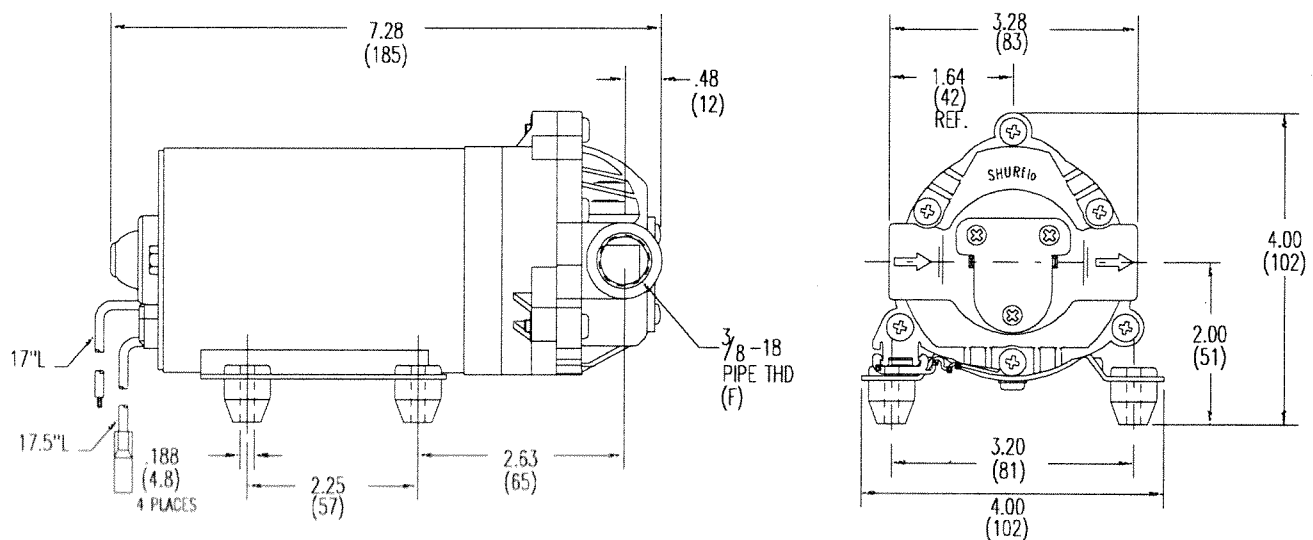
DUTY CYCLE: Continuous (See Temperature Rise Chart)

APPROVALS: NSF Listed

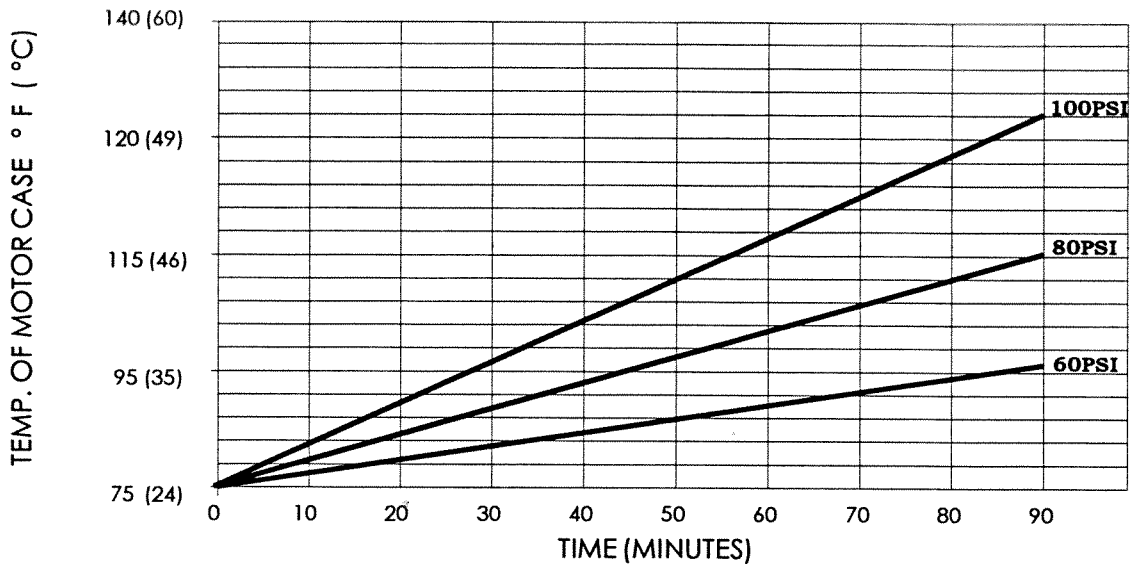
TYPICAL APPLICATIONS: R.O. Booster Pump

BYPASS: 80 PSI

DIMENSIONS:

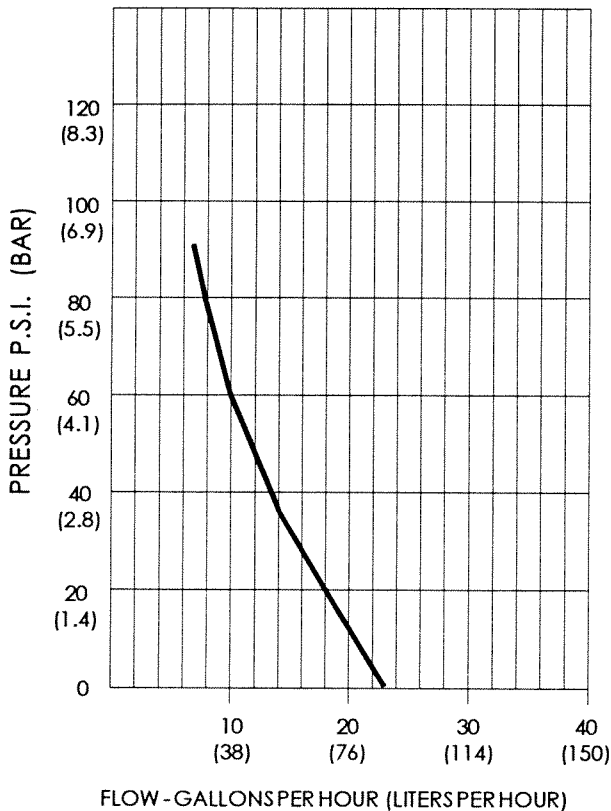


TEMPERATURE RISE



THIS GRAPH IS FOR USE AS A DESIGN GUIDE. IT IS BASED ON RUNNING CONTINUOUSLY WITH AN AMBIENT TEMPERATURE OF 70 ° F IN STILL AIR.

TYPICAL PERFORMANCE



PRESSURE (PSI)	FLOW (GPH/LIT)	RPM MIN/MAX	CURRENT (AMPS)	VOLTAGE (VOLTS)
OPEN	22.4/84.8	680/710	0.43	24 VAC
10	20.1/14.3	630/645	0.48	"
20	18.1/68.5	610/625	0.57	"
30	15.8/59.8	575/590	0.66	"
40	13.8/52.2	540/550	0.74	"
50	11.7/44.3	515/525	0.82	"
60	9.9/37.5	480/490	0.90	"
70	9.6/36.3	445/455	0.95	"
80	7.9/29.9	420/425	1.00	"
90	7.0/26.5	415/420	1.11	"

-SPECIFICATIONS SUBJECT TO CHANGE WITHOUT NOTICE.

-ALL DATA BASED ON TESTING WITH WATER AT AMBIENT TEMPERATURE.