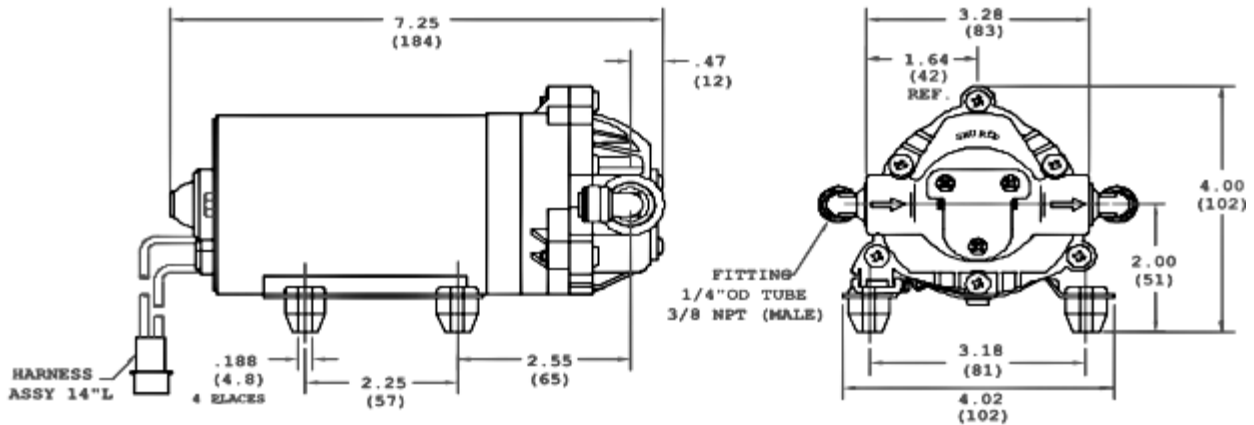


SPECIFICATIONS:

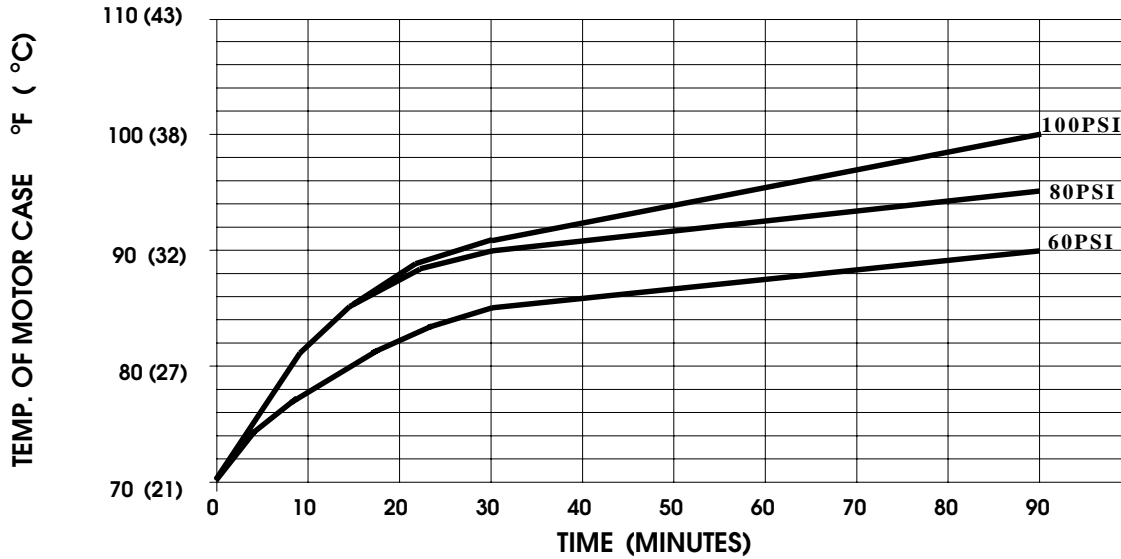
- MODEL NUMBER:** 8010-101-205
- PUMP DESIGN:** Positive Displacement 3 Chamber Diaphragm Pump
- CAM:** 2.0 Degree
- MOTOR:** Permanent Magnet, P/N 11-155-00
- VOLTAGE:** 24 VAC Nominal
- PRESSURE SWITCH:** None
- LIQUID TEMPERATURE:** 180 Degrees Fahrenheit (82 Degrees Centigrade) Max.
- PORTS:** John Guest 1/4" Tube Push-In Fittings
- MATERIAL OF CONSTRUCTION:**
 - PLASTICS-** Nylon
 - VALVES-** EPDM
 - DIAPHRAGM-** Santoprene
 - FASTENERS-** Stainless Steel
- NET WEIGHT:** 4.9 Lbs (2.2 Kg)
- DUTY CYCLE:** Continuous (See Temperature Rise Chart)
- APPROVALS:** N.S.F. Listed
- TYPICAL APPLICATIONS:** R.O. Booster Pump
- BYPASS:** 80 PSI

DIMENSIONS:

Note: Excluded in the dimensions are fittings on the ports.

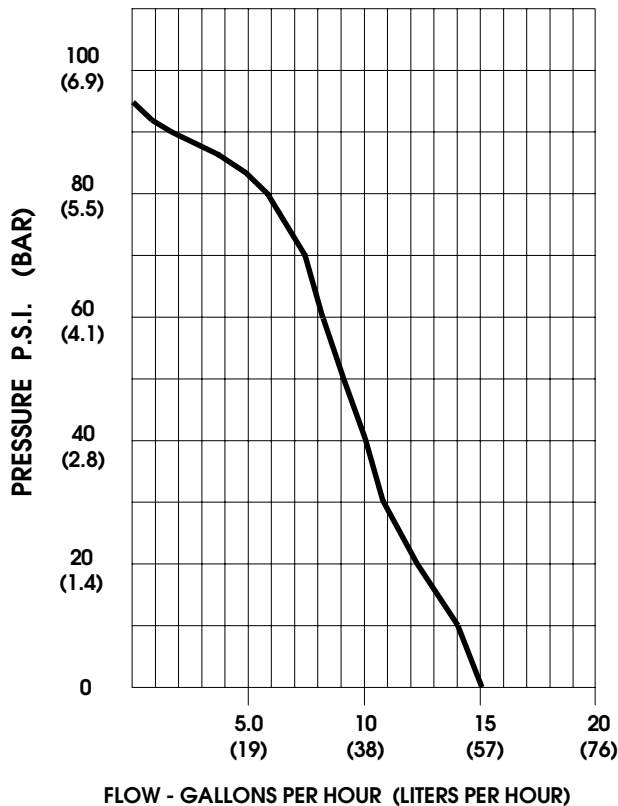


TEMPERATURE RISE



THIS GRAPH IS FOR USE AS A DESIGN GUIDE. IT IS BASED ON RUNNING CONTINUOUSLY WITH AN AMBIENT TEMPERATURE OF 70° F IN STILL AIR.

TYPICAL PERFORMANCE



PRESSURE (PSI)	FLOW (GPH/LIT)	RPM MIN/MAX	CURRENT (AMPS)	VOLTAGE (VOLTS)
OPEN	15.0/57	475/500	0.15	24 VAC
10	14.0/53	445/470	0.19	"
20	12.3/47	405/430	0.24	"
30	10.9/41	390/405	0.29	"
40	10.0/38	360/375	0.33	"
50	9.1/34	315/340	0.38	"
60	8.3/31	310/320	0.41	"
70	7.5/28	290/300	0.46	"
80	5.7/22	260/275	0.50	"
90	1.9/7.2	245/250	0.54	"

*-SPECIFICATIONS SUBJECT TO CHANGE WITHOUT NOTICE.
-ALL DATA BASED ON TESTING WITH WATER.*