

SPECIFICATIONS:

MODEL NUMBER: 8010-101-200

PUMP DESIGN: Positive Displacement 3 Chamber Diaphragm Pump

CAM: 2.0 Degree

MOTOR: Permanent Magnet, P/N 11-155-00

VOLTAGE: 24 VAC Nominal

PRESSURE SWITCH: None

LIQUID TEMPERATURE: 180 Degrees Fahrenheit (82 Degrees Centigrade) Max.

PRIME: Self-Priming Up To 4.0 Ft. Vertical,
Max. Inlet Pressure 30 PSI (2.1 Bar)

PORTS: 3/8"-18 NPT Female

MATERIAL OF CONSTRUCTION:

PLASTICS- Polypro

VALVES- EPDM

DIAPHRAGM- Santoprene

FASTENERS- Zinc or Cad Plated Steel

NET WEIGHT: 4.7 Lbs (2.13 Kg)

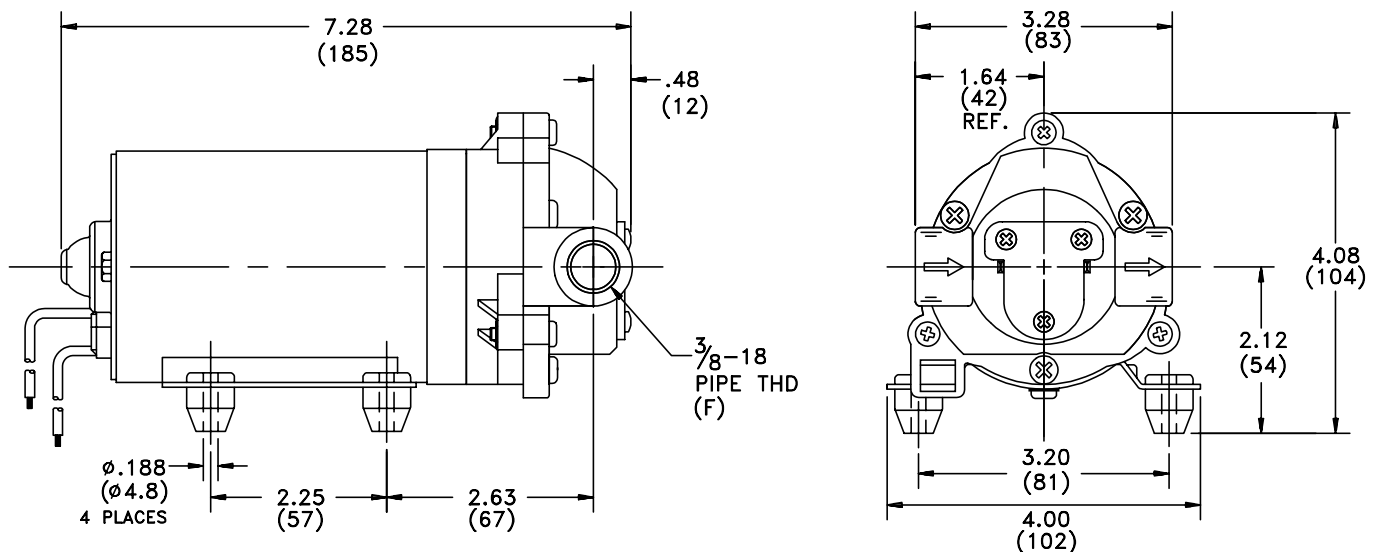
DUTY CYCLE: Continuous (See Temperature Rise Chart)

APPROVALS: N.S.F. Listed

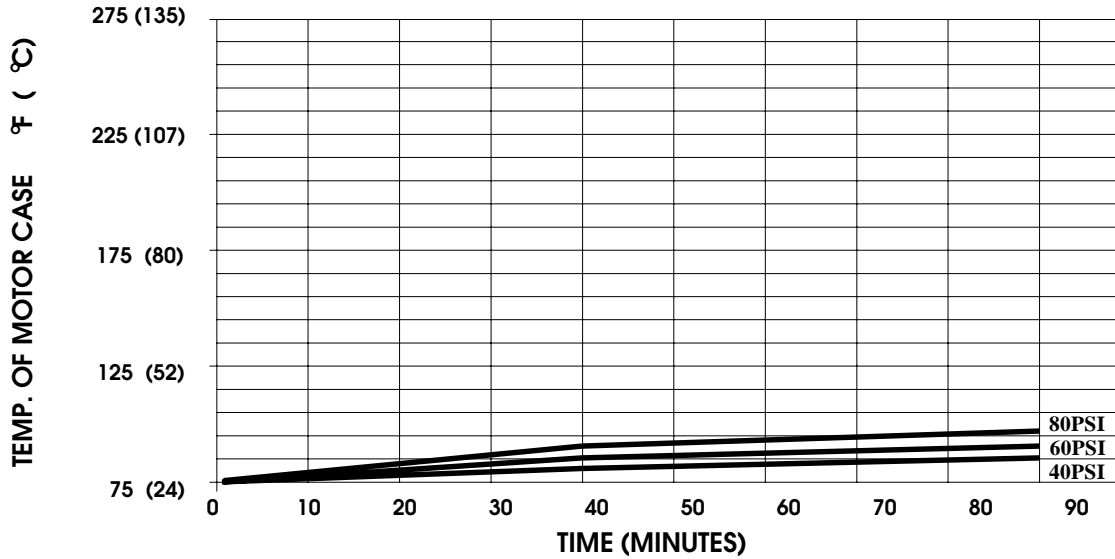
TYPICAL APPLICATIONS: R.O. Booster Pump

BYPASS: 90 PSI Max.

DIMENSIONS:

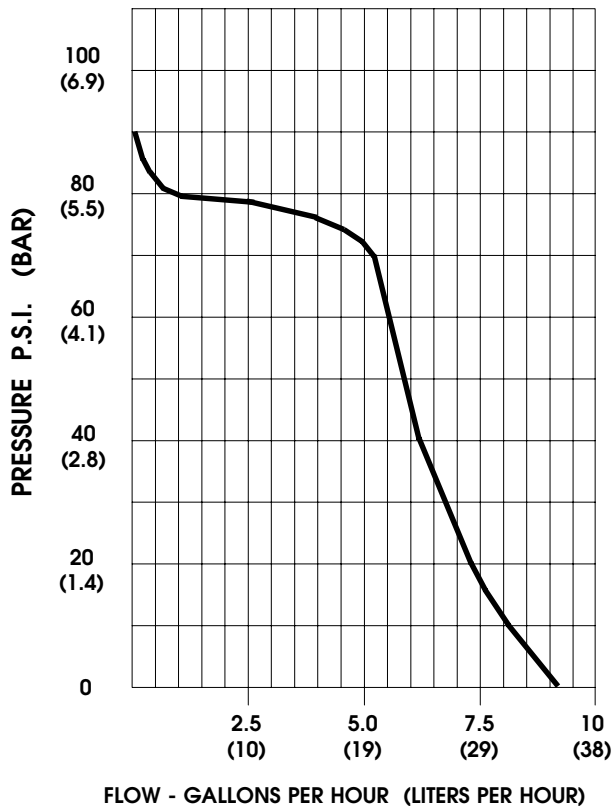


TEMPERATURE RISE



THIS GRAPH IS FOR USE AS A DESIGN GUIDE. IT IS BASED ON RUNNING CONTINUOUSLY WITH AN AMBIENT TEMPERATURE OF 70° F IN STILL AIR.

TYPICAL PERFORMANCE



PRESSURE (PSI)	FLOW (GPH/LIT)	RPM MIN/MAX	CURRENT (AMPS)	VOLTAGE (VOLTS)
OPEN	9.20/38	470/475	0.17	24 VAC
10	8.30/31	450/455	0.19	"
20	7.52/28	430/435	0.21	"
30	6.87/26	415/420	0.25	"
40	6.33/24	395/400	0.27	"
50	5.91/22	380/385	0.31	"
60	5.48/21	370/380	0.34	"
70	5.17/20	350/375	0.37	"
80	0.60/2.3	345/375	0.41	"

-SPECIFICATIONS SUBJECT TO CHANGE WITHOUT NOTICE.

-ALL DATA BASED ON TESTING WITH WATER.