

## SPECIFICATIONS:

**MODEL NUMBER:** 8007-593-850

**PUMP DESIGN:** Positive Displacement 3 Chamber Diaphragm Pump

**CAM:** 3.0 Degree

**MOTOR:** Permanent Magnet, P/N 11-184-03, On/Off Switch, Connector

**VOLTAGE:** 12 VDC Nominal

**PRESSURE SWITCH:** None

**LIQUID TEMPERATURE:** 170 Degrees Fahrenheit (77 Degrees Centigrade) Max.

**PRIME:** Self-Priming Up To 11 Ft. Vertical,  
Max. Inlet Pressure 30 PSI (2.1 Bar)

**PORTS:** 3/8"-18 NPT Female

**MATERIAL OF CONSTRUCTION:**

**PLASTICS-** Polypropylene

**VALVES-** Viton

**DIAPHRAGM-** Santoprene

**FASTENERS-** Cad or Zinc Plated Steel

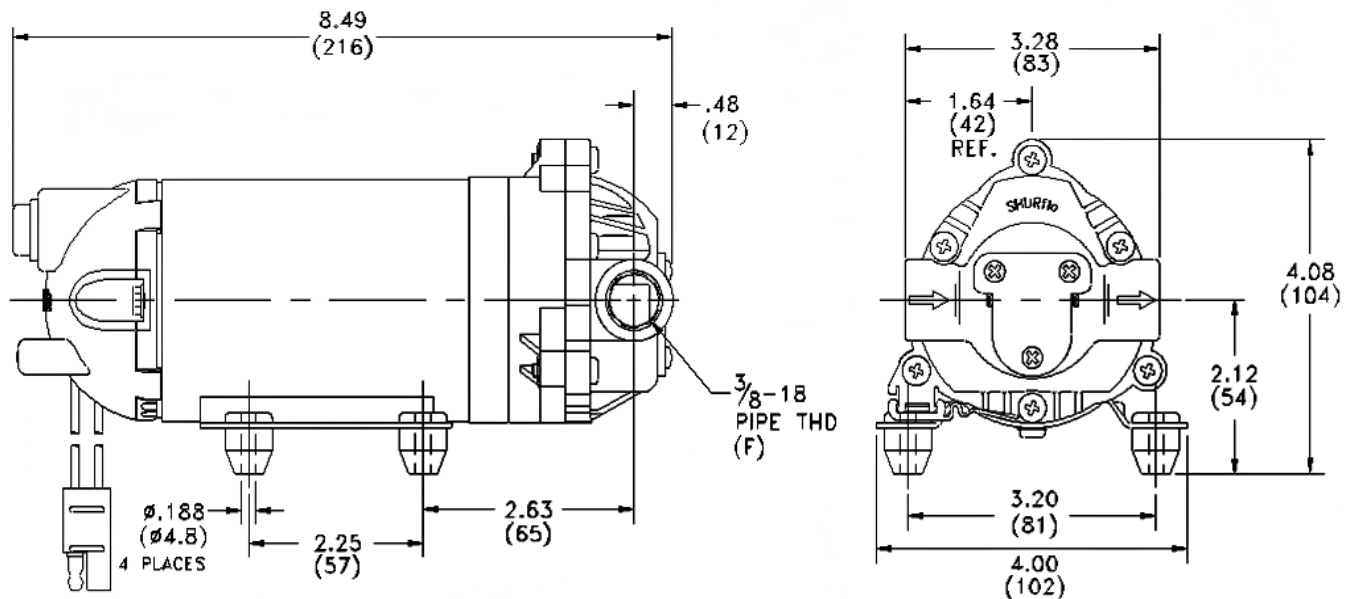
**NET WEIGHT:** 4.6 Lbs (2.1 Kg)

**DUTY CYCLE:** Continuous (See Temperature Rise Chart)

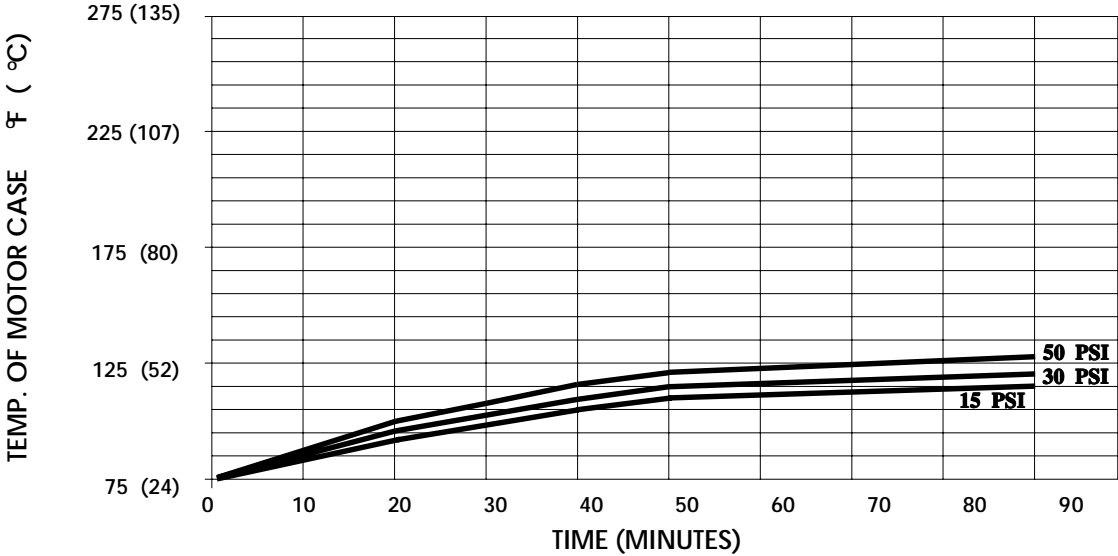
**TYPICAL APPLICATIONS:** Agricultural Spraying

**BYPASS:** 45 PSI

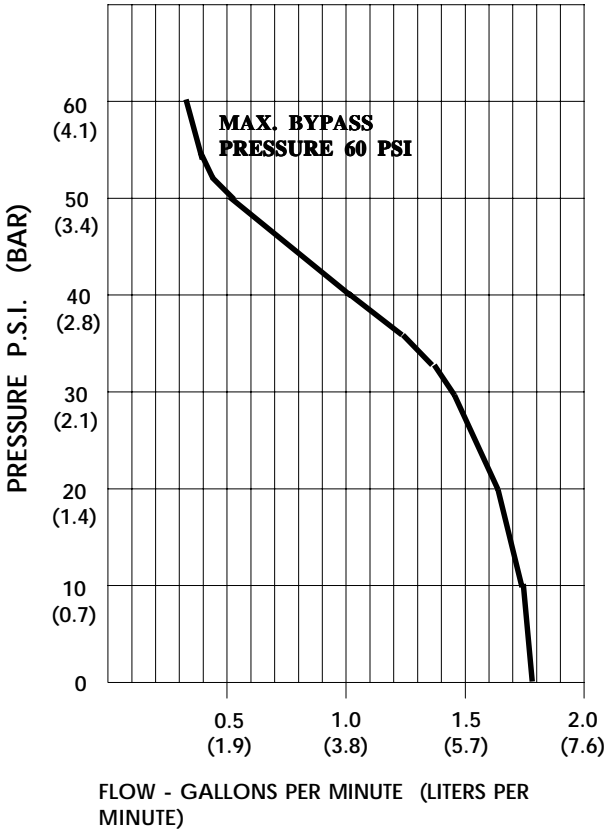
## DIMENSIONS:



**TEMPERATURE RISE**



**TYPICAL PERFORMANCE**



PRESSURE (PSI)	FLOW (GPM/LIT)	RPM MIN/MAX	CURRENT (AMPS)	VOLTAGE (VOLTS)
OPEN	<b>1.80/8.6</b>	<b>2290/2345</b>	<b>3.0</b>	<b>12 VDC</b>
10	<b>1.40/5.3</b>	<b>2275/2335</b>	<b>3.4</b>	"
20	<b>1.30/4.9</b>	<b>2230/2300</b>	<b>4.0</b>	"
30	<b>1.11/4.2</b>	<b>2190/2255</b>	<b>4.7</b>	"
40	<b>0.69/2.6</b>	<b>2165/2230</b>	<b>5.2</b>	"
50	<b>0.18/0.7</b>	<b>2140/2200</b>	<b>5.5</b>	"

-SPECIFICATIONS SUBJECT TO CHANGE WITHOUT NOTICE.  
 -ALL DATA BASED ON TESTING WITH WATER AT AMBIENT TEMPERATURE.