

SPECIFICATIONS:

MODEL NUMBER: 8005-733-954

PUMP DESIGN: Positive Displacement 3 Chamber Diaphragm Pump

CAM: 3.0

MOTOR: 11-150-00 Permanent Magnet

VOLTAGE: 100 VAC Nominal

PRESSURE SWITCH: Adjustable Shut-off (Range 40-60 PSI)

Factory set @ 40 PSI, Turn on 45 ± 5 PSI

LIQUID TEMPERATURE:

PRIME: Self Priming up to 8 ft Vertical

PORTS: 3/8" -18 NPT Female

MATERIAL OF CONSTRUCTION:

PLASTICS- Polypropolyne

VALVES- EPDM

DIAPHRAGM- Santoprene (STD)

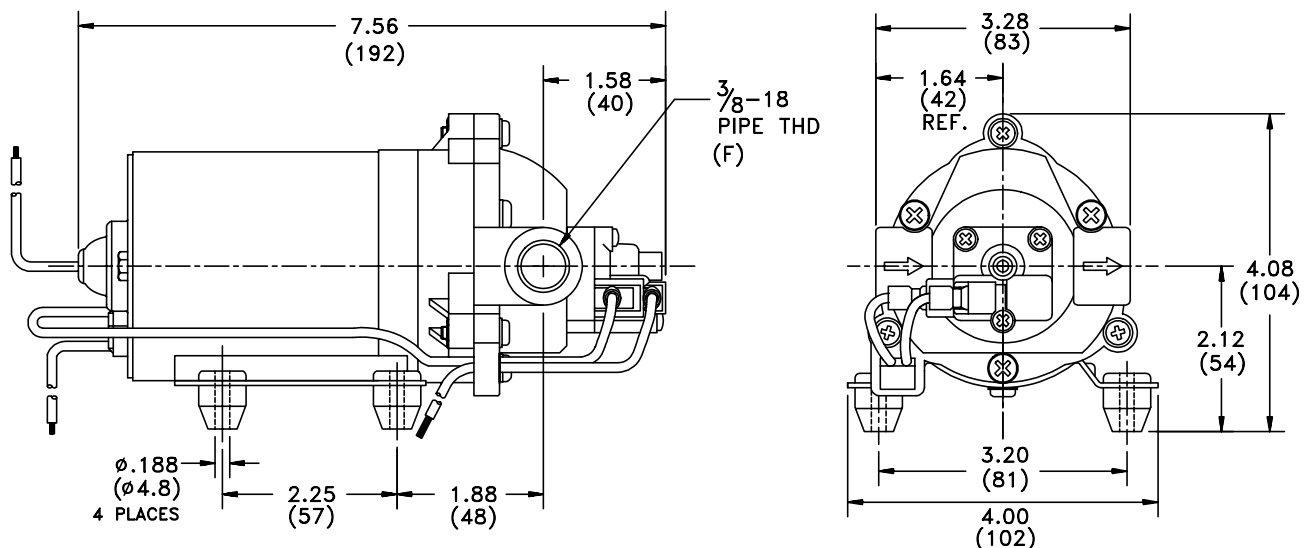
FASTENERS- Zinc Plated Steel

NET WEIGHT: 3.9 Lbs (1.77 Kg)

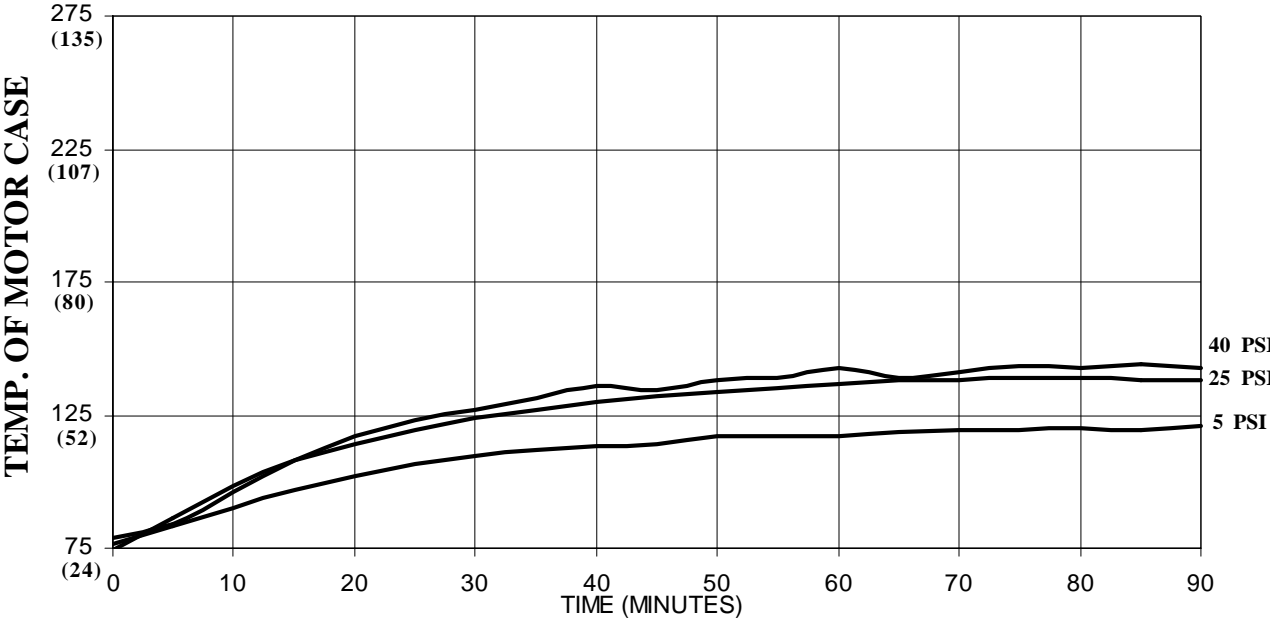
DUTY CYCLE: Intermittent (See Temperature Rise Chart)

BYPASS: 45 Bypass

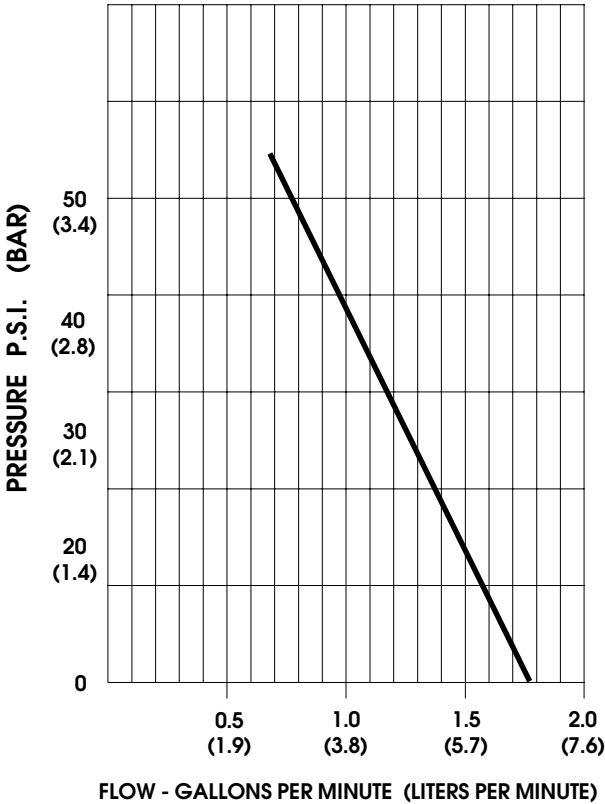
DIMENSIONS:



TEMPERATURE RISE



TYPICAL PERFORMANCE



PRESSURE (PSI)	FLOW (GPM/LIT)	CURRENT (AMPS)	VOLTAGE (VOLTS)
OPEN	1.73/6.5	.32	115 VAC
10	1.54/5.8	.38	
20	1.39/5.3	.45	
30	1.18/4.5	.52	
40	.82/3.1	.58	
50	.45/1.7	.64	

*-SPECIFICATIONS SUBJECT TO CHANGE WITHOUT NOTICE.
 -ALL DATA BASED ON TESTING WITH WATER AT AMBIENT TEMPERATURE.*