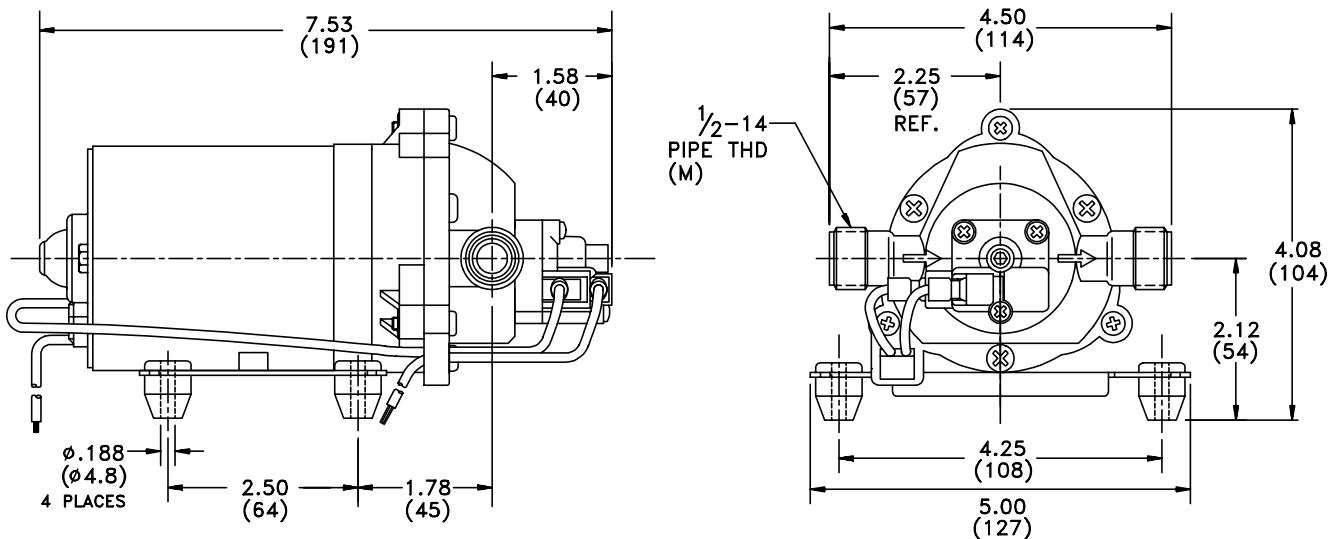


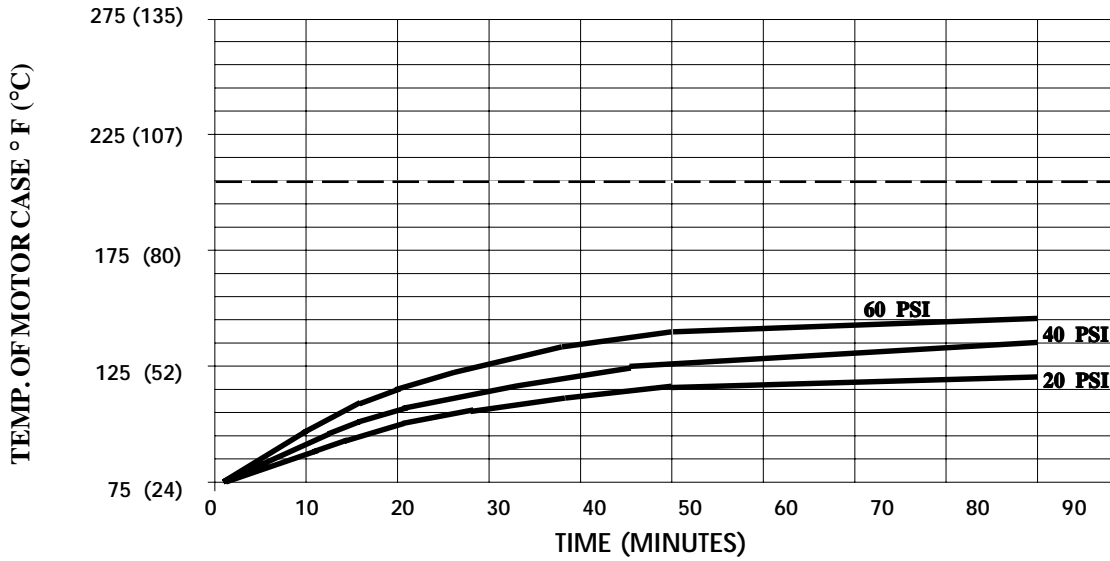
**SPECIFICATIONS:**

- MODEL NUMBER:** 8005-733-155
- PUMP DESIGN:** Positive Displacement 3 Chamber Diaphragm Pump
- CHECK VALVE:** (1-Way Operation) Prevents Reverse Flow
- CAM:** 3.0 Degree
- MOTOR:** Permanent Magnet, P/N 11-150-00, Thermally Protected
- VOLTAGE:** 115 VAC Nominal
- PRESSURE SWITCH:** Adjustable Shut-Off (Range 40-60 PSI)  
 Factory Set @ 60 PSI, Turn On 45 PSI ± 5 PSI
- LIQUID TEMPERATURE:** 170 Degrees Fahrenheit (77 Degrees Centigrade) Max.
- PRIME:** Self-Priming Up To 11 Ft. Vertical,  
 Max. Inlet Pressure 30 PSI (2.1 Bar)
- PORTS:** 1/2"-14 Male Parallel Thread
- MATERIAL OF CONSTRUCTION:**
  - PLASTICS-** Polypropylene
  - VALVES-** EPDM
  - DIAPHRAGM-** Santoprene
  - FASTENERS-** Zinc Plated Steel
- NET WEIGHT:** 3.9 Lbs (1.77 Kg)
- DUTY CYCLE:** Intermittent (See Temperature Rise Chart)
- APPROVALS:** U.L. & C.S.A. Recognized Component, N.S.F. Listed
- TYPICAL APPLICATIONS:** Water Delivery
- BYPASS:** 45 PSI

**DIMENSIONS:**



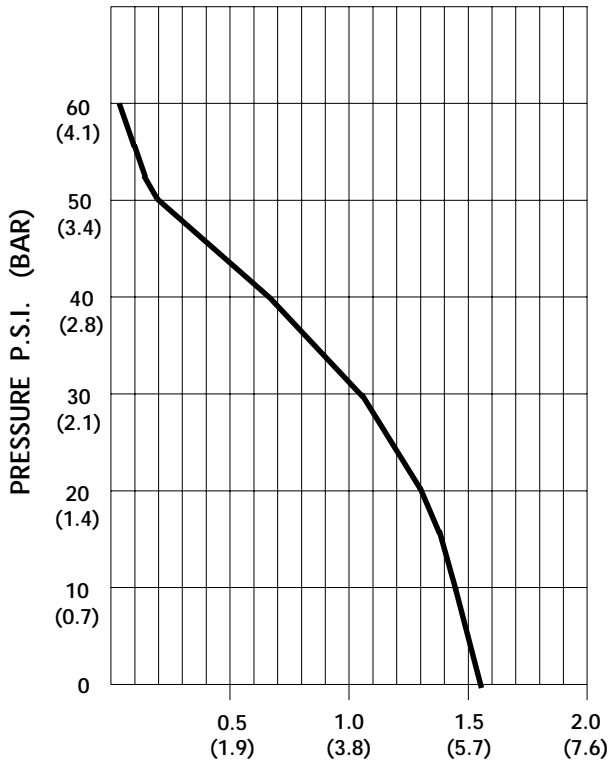
### TEMPERATURE RISE



THIS GRAPH IS FOR USE AS A DESIGN GUIDE. IT IS BASED ON RUNNING CONTINUOUSLY WITH AN AMBIENT TEMPERATURE OF 70° F IN STILL AIR. THE THERMAL BREAKER WILL OPEN WHEN THE CASE TEMPERATURE REACHES 203° F.

[- - - - - TRIP POINT OF THERMAL PROTECTOR]

### TYPICAL PERFORMANCE



PRESSURE (PSI)	FLOW (GPM/LIT)	RPM MIN/MAX	CURRENT (AMPS)	VOLTAGE (VOLTS)
OPEN	<b>1.56/5.9</b>	<b>2276/2290</b>	<b>0.31</b>	<b>115 VAC</b>
10	<b>1.46/5.5</b>	<b>2150/2160</b>	<b>0.34</b>	"
20	<b>1.29/4.9</b>	<b>2015/2035</b>	<b>0.40</b>	"
30	<b>1.05/4.0</b>	<b>1890/1945</b>	<b>0.45</b>	"
40	<b>0.67/2.5</b>	<b>1785/1865</b>	<b>0.49</b>	"
50	<b>0.19/0.7</b>	<b>1720/1790</b>	<b>0.52</b>	"
60	<b>0.05/0.1</b>	<b>1715/1770</b>	<b>0.54</b>	"

FLOW - GALLONS PER MINUTE (LITERS PER MINUTE)

*-SPECIFICATIONS SUBJECT TO CHANGE WITHOUT NOTICE.*

*-ALL DATA BASED ON TESTING WITH WATER.*