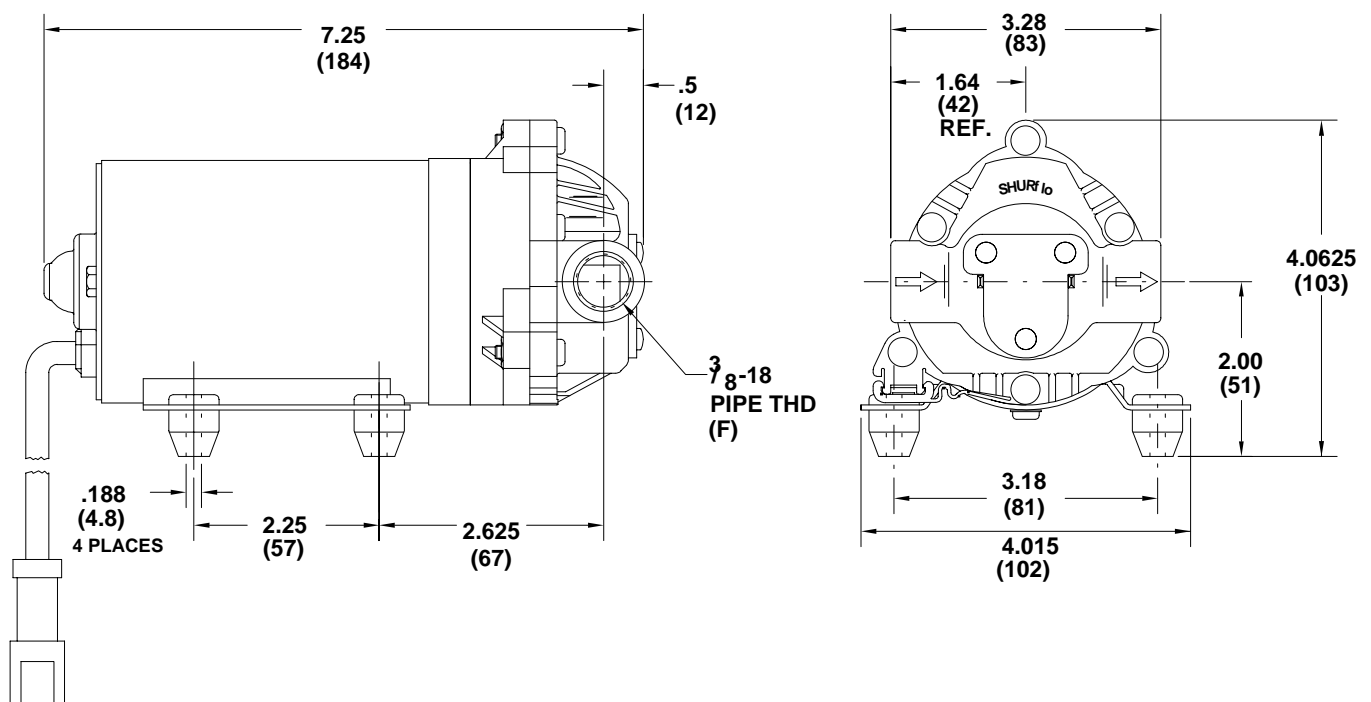


MODEL: 8000-943-210

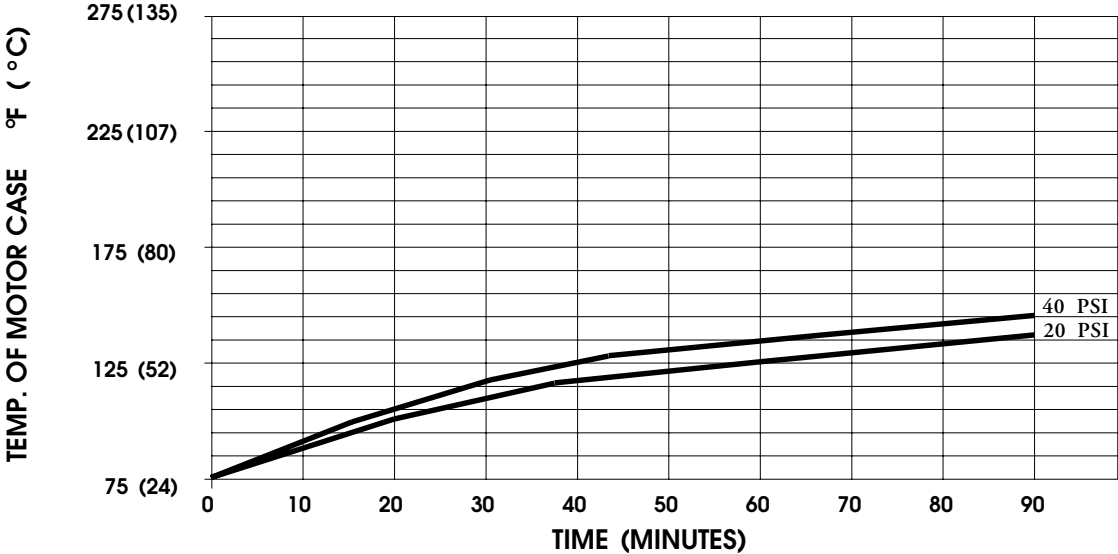
### SPECIFICATIONS:

**MODEL NUMBER:** 8000-943-210  
**PUMP DESIGN:** Positive Displacement 3 Chamber Diaphragm Pump  
**CAM:** 3.0 Degree  
**MOTOR:** Permanent Magnet, P/N 11-173-00  
**VOLTAGE:** 12 VDC Nominal  
**PRESSURE SWITCH:** None  
**LIQUID TEMPERATURE:** 180 Degrees Fahrenheit (82 Degrees Centigrade) Max.  
**PRIME:** Self-Priming Up To 8 Ft. Vertical,  
 Max. Inlet Pressure 30 PSI (2.1 Bar)  
**PORTS:** 3/8"-18 NPT Female  
**MATERIAL OF CONSTRUCTION:**  
     **PLASTICS-** Nylon  
     **VALVES-** EPDM  
     **DIAPHRAGM-** Santoprene  
     **FASTENERS-** Zinc Plated Steel  
**NET WEIGHT:** 4.65 Lbs (2.1 Kg)  
**DUTY CYCLE:** Continuous (See Temperature Rise Chart)  
**TYPICAL APPLICATIONS:** Road Roller Equipment  
**BYPASS:** 35 PSI

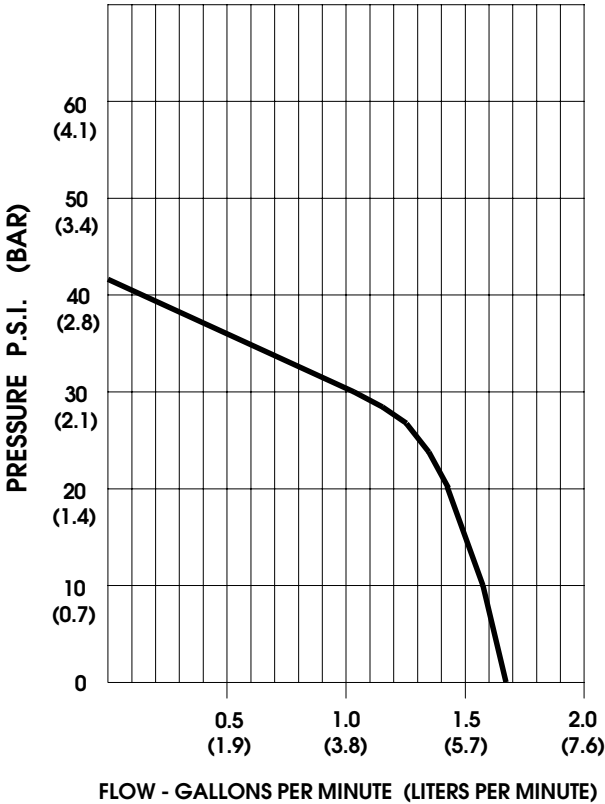
### DIMENSIONS:



TEMPERATURE RISE



TYPICAL PERFORMANCE



PRESSURE (PSI)	FLOW (GPM/LIT)	RPM MIN/MAX	CURRENT (AMPS)	VOLTAGE (VOLTS)
OPEN	1.67/6.3	2180/2210	3.7	12 VDC
10	1.57/5.9	2140/2160	4.2	"
20	1.42/5.4	2080/2090	4.9	"
30	1.03/4.0	2035/2045	5.4	"
40	0.14/0.5	2015/2025	5.7	"

*-SPECIFICATIONS SUBJECT TO CHANGE WITHOUT NOTICE.  
 -ALL DATA BASED ON TESTING WITH WATER AT AMBIENT TEMPERATURE.*