

**SPECIFICATIONS:**

**MODEL NUMBER:** 8000-883-238

**PUMP DESIGN:** Positive Displacement 3 Chamber Diaphragm Pump

**CHECK VALVE:** (1-Way Operation) Prevents Reverse Flow

**CAM:** 3.0 Degree

**MOTOR:** Permanent Magnet, P/N 11-179-00

**VOLTAGE:** 36 VDC Nominal

**PRESSURE SWITCH:** Adjustable Shut-Off (Range 80-100 PSI)

Factory Set @ 100 PSI, Turn On 75 PSI ± 5 PSI

**LIQUID TEMPERATURE:** 180 Degrees Fahrenheit (82 Degrees Centigrade) Max.

**PRIME:** Self-Priming Up To 10 Ft. Vertical,  
 Max. Inlet Pressure 30 PSI (2.1 Bar)

**PORTS:** 3/8"-18 NPT, Female

**MATERIAL OF CONSTRUCTION:**

**PLASTICS-** Nylon

**VALVES-** Viton

**DIAPHRAGM-** Santoprene

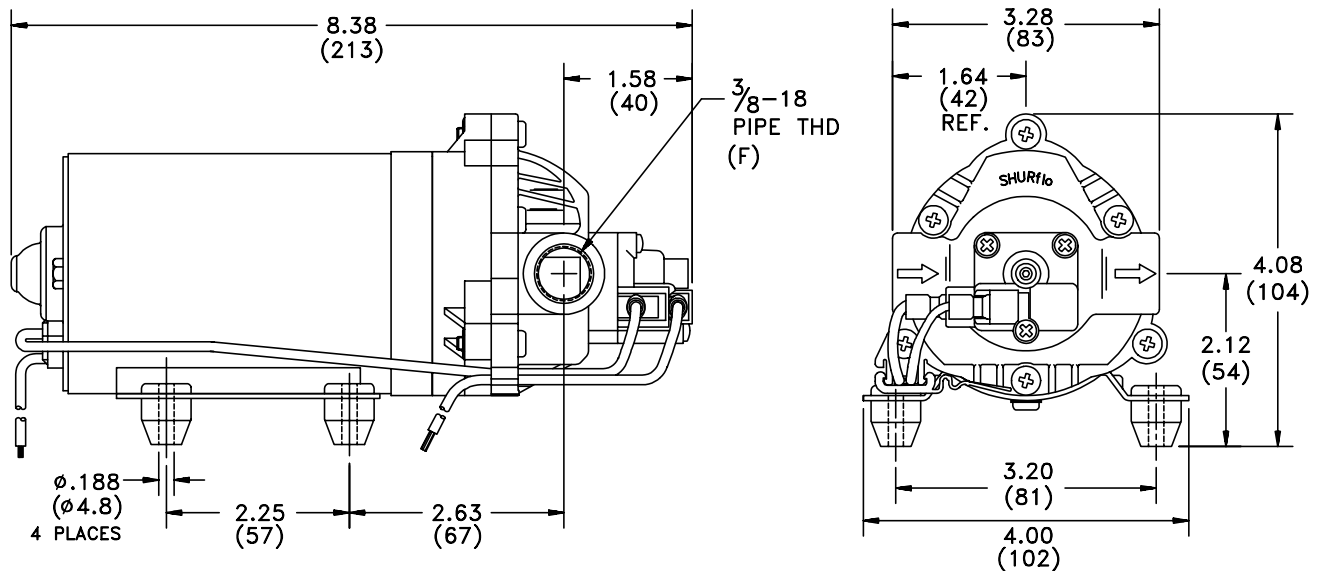
**FASTENERS-** Zinc Plated Steel

**NET WEIGHT:** 4.85 Lbs (2.2 Kg)

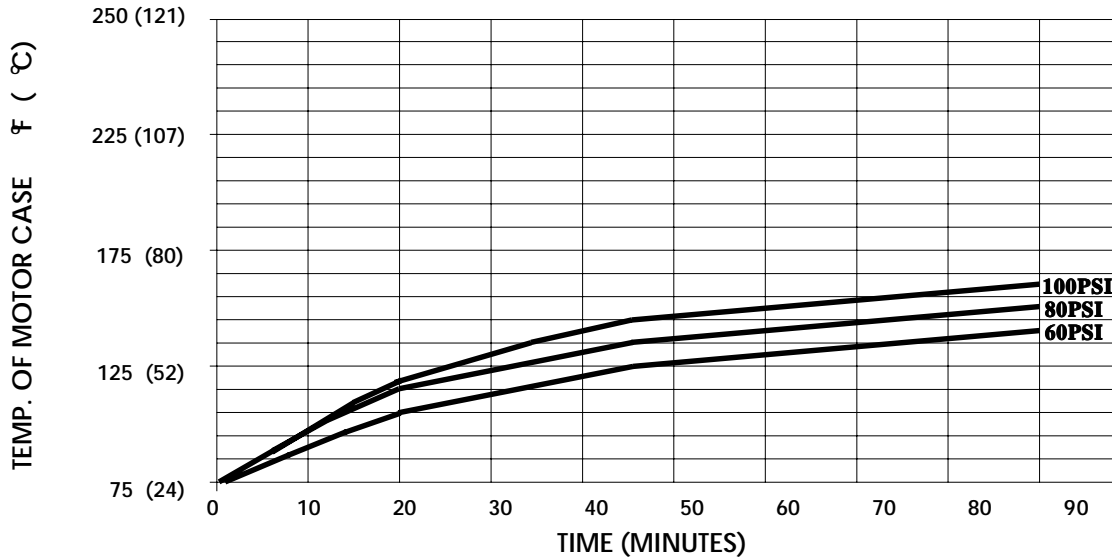
**DUTY CYCLE:** Intermittent (See Temperature Rise Chart)

**TYPICAL APPLICATIONS:** Soil Extraction

**DIMENSIONS:**

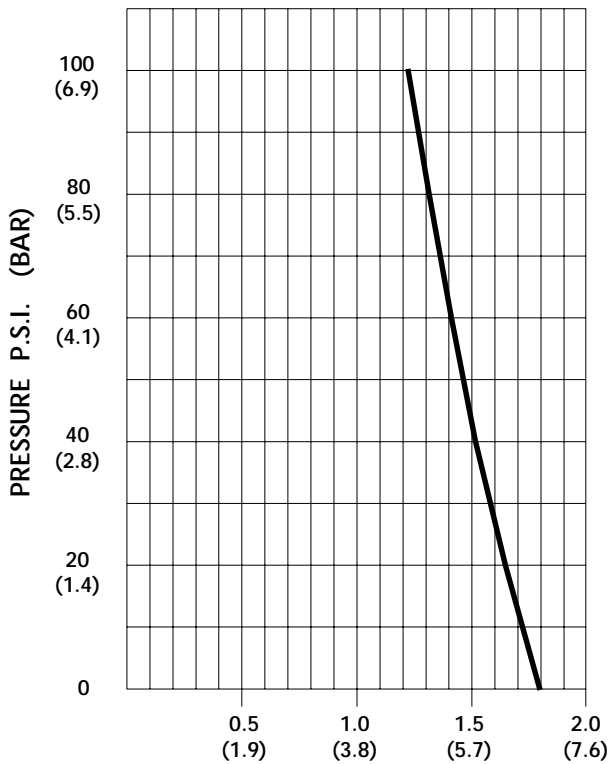


**TEMPERATURE RISE**



THIS GRAPH IS FOR USE AS A DESIGN GUIDE. IT IS BASED ON RUNNING CONTINUOUSLY WITH AN AMBIENT TEMPERATURE OF 75° F IN STILL AIR.

**TYPICAL PERFORMANCE**



PRESSURE (PSI)	FLOW (GPM/LIT)	RPM MIN/MAX	CURRENT (AMPS)	VOLTAGE (VOLTS)
OPEN	<b>1.80/6.8</b>	<b>2400/2435</b>	<b>1.25</b>	<b>36 VDC</b>
10	<b>1.73/6.5</b>	<b>2370/2415</b>	<b>1.50</b>	"
20	<b>1.65/6.2</b>	<b>2345/2390</b>	<b>1.70</b>	"
30	<b>1.58/6.0</b>	<b>2330/2365</b>	<b>1.95</b>	"
40	<b>1.52/5.8</b>	<b>2300/2345</b>	<b>2.20</b>	"
50	<b>1.46/5.5</b>	<b>2280/2330</b>	<b>2.40</b>	"
60	<b>1.41/5.3</b>	<b>2260/2310</b>	<b>2.55</b>	"
70	<b>1.35/5.1</b>	<b>2240/2290</b>	<b>2.75</b>	"
80	<b>1.31/5.0</b>	<b>2220/2275</b>	<b>2.85</b>	"
90	<b>1.26/4.8</b>	<b>2195/2250</b>	<b>3.10</b>	"
100	<b>1.22/4.6</b>	<b>2180/2230</b>	<b>3.30</b>	"

*-SPECIFICATIONS SUBJECT TO CHANGE WITHOUT NOTICE.*

*-ALL DATA BASED ON TESTING WITH WATER AT AMBIENT TEMPERATURE.*