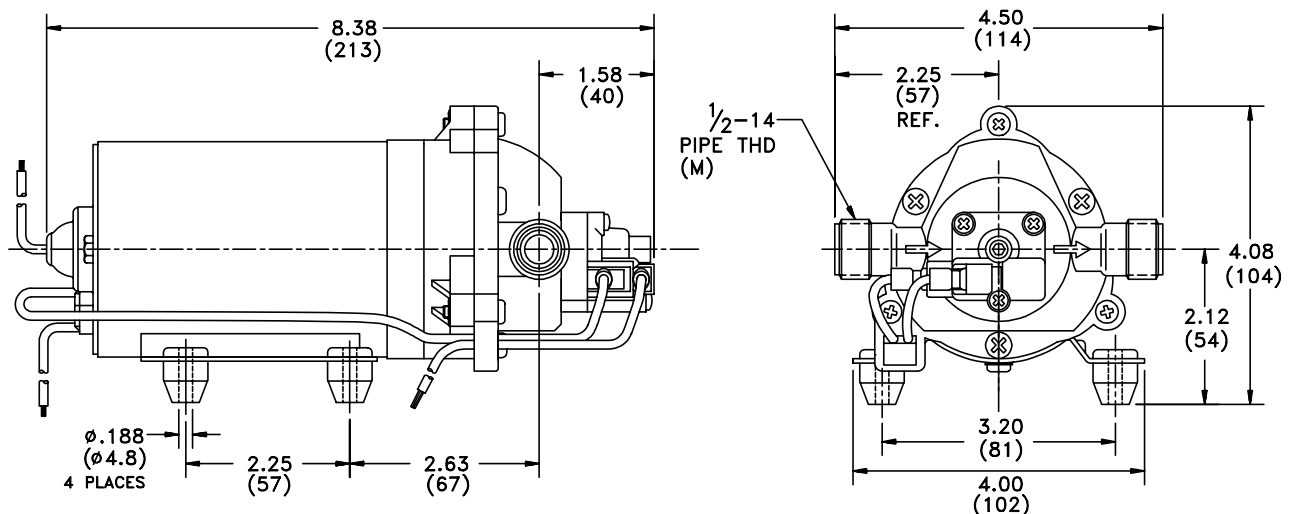


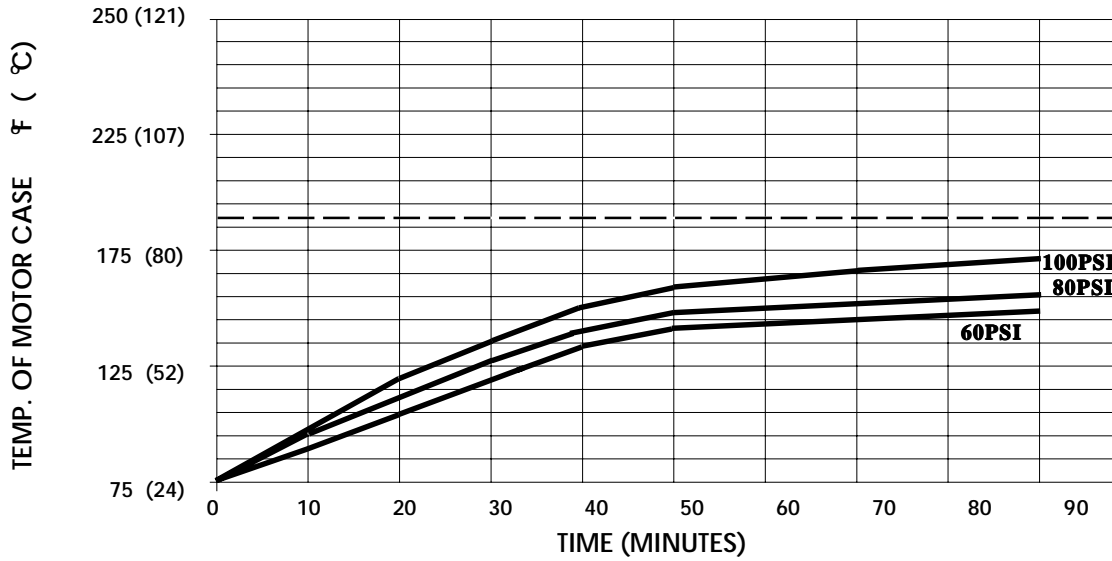
**SPECIFICATIONS:**

**MODEL NUMBER:** 8000-813-138  
**PUMP DESIGN:** Positive Displacement 3 Chamber Diaphragm Pump  
**CHECK VALVE:** (2-Way Op.) Prevents Reverse Flow & 6 Ft. Head Forward Flow  
**CAM:** 3.0 Degree  
**MOTOR:** Permanent Magnet, P/N 11-150-10, Thermally Protected  
**VOLTAGE:** 115 VAC Nominal  
**PRESSURE SWITCH:** Adjustable Shut-Off (Range 80-100 PSI)  
 Factory Set @100 PSI, Turn On 85 PSI  $\pm$  5 PSI  
**LIQUID TEMPERATURE:** 180 Degrees Fahrenheit (82 Degrees Centigrade) Max.  
**PRIME:** Self-Priming Up To 8.0 Ft. Vertical,  
 Max. Inlet Pressure 30 PSI (2.1 Bar)  
**PORTS:** 1/2"-14 Male Parallel Thread  
**MATERIAL OF CONSTRUCTION:**  
**PLASTICS-** Nylon  
**VALVES-** Viton  
**DIAPHRAGM-** Santoprene  
**FASTENERS-** Zinc or Cad Plated Steel  
**NET WEIGHT:** 4.8 Lbs (2.18 Kg)  
**DUTY CYCLE:** Intermittent (See Temperature Rise Chart)  
**APPROVALS:** UL/CSA Recognized Component  
**TYPICAL APPLICATIONS:** Soil Extraction

**DIMENSIONS:**



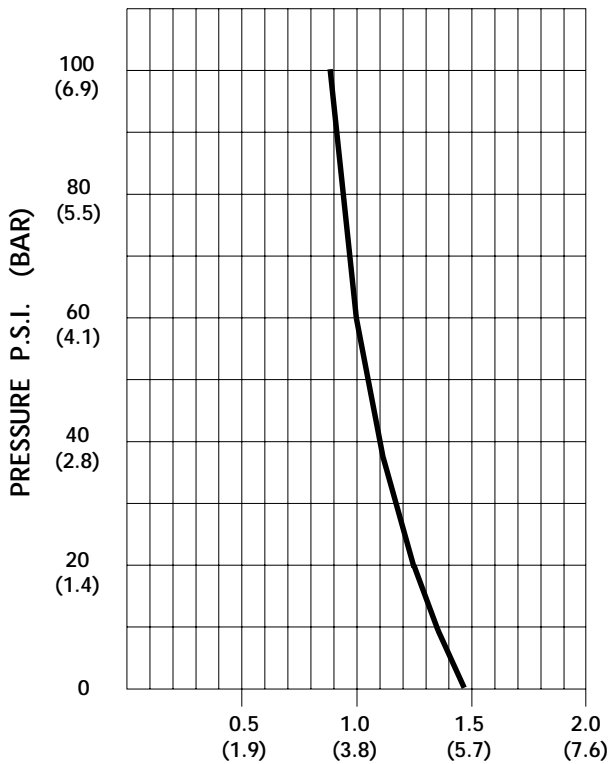
**TEMPERATURE RISE**



THIS GRAPH IS FOR USE AS A DESIGN GUIDE. IT IS BASED ON RUNNING CONTINUOUSLY WITH AN AMBIENT TEMPERATURE OF 75° F IN STILL AIR. THE THERMAL BREAKER WILL OPEN WHEN THE CASE TEMPERATURE REACHES 190° F.

[----- TRIP POINT OF THERMAL PROTECTOR]

**TYPICAL PERFORMANCE**



PRESSURE (PSI)	FLOW (GPM/LIT)	RPM MIN/MAX	CURRENT (AMPS)	VOLTAGE (VOLTS)
OPEN	1.47/5.6	2260/2275	0.40	115VAC
10	1.35/5.1	2160/2180	0.46	"
20	1.26/4.8	2095/2110	0.51	"
30	1.17/4.4	2025/2040	0.56	"
40	1.10/4.2	1965/1980	0.61	"
50	1.05/4.0	1905/1915	0.65	"
60	1.00/3.8	1860/1870	0.70	"
70	0.96/3.6	1810/1820	0.74	"
80	0.93/3.5	1760/1770	0.78	"
90	0.89/3.4	1715/1720	0.82	"
100	0.85/3.2	1670/1675	0.85	"

FLOW - GALLONS PER MINUTE (LITERS PER MINUTE)

*-SPECIFICATIONS SUBJECT TO CHANGE WITHOUT NOTICE.*

*-ALL DATA BASED ON TESTING WITH WATER.*