

SPECIFICATIONS:

MODEL NUMBER: 8000-544-250

PUMP DESIGN: Positive Displacement 3 Chamber Diaphragm Pump

CHECK VALVE: (2-Way Op.) Prevents Reverse Flow 6 FT Head Forward Flow

CAM: 3.5 Degree

MOTOR: Permanent Magnet, P/N 11-111-00

VOLTAGE: 12 VDC Nominal

PRESSURE SWITCH: None

LIQUID TEMPERATURE: 170 Degrees Fahrenheit (77 Degrees Centigrade) Max.

PRIME: Self-Priming Up To 11 Ft. Vertical,
Max. Inlet Pressure 30 PSI (2.1 Bar)

PORTS: 3/8"-18 NPT Female

MATERIAL OF CONSTRUCTION:

PLASTICS- Polypropylene

VALVES- Viton

DIAPHRAGM- Santoprene (STD)

FASTENERS- Cad or Zinc Plated Steel

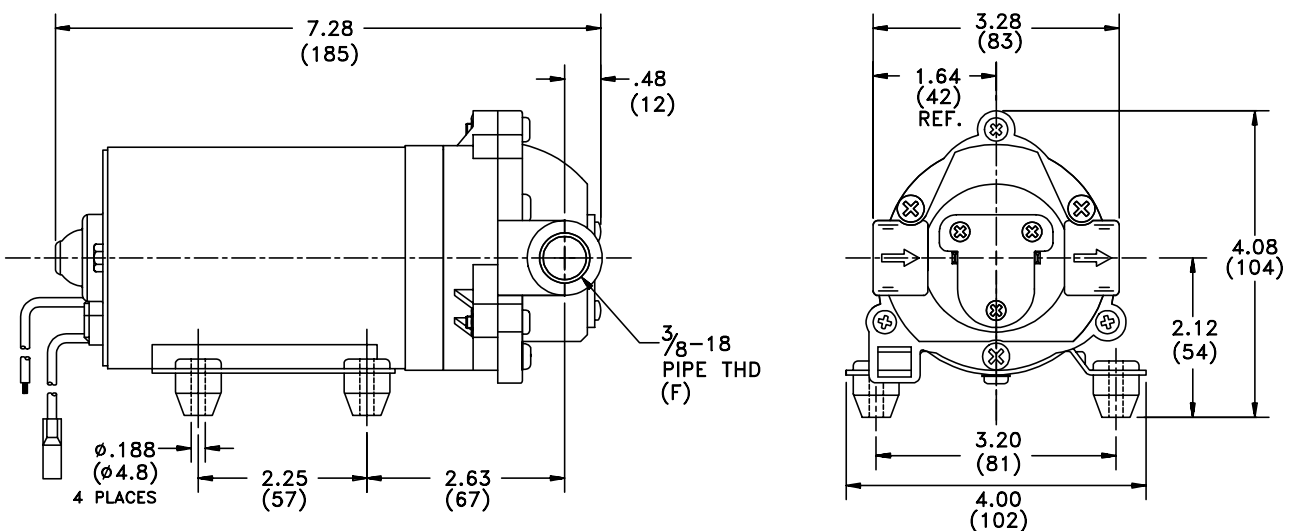
NET WEIGHT: 4.0 Lbs (1.8 Kg)

DUTY CYCLE: Continuous (See Temperature Rise Chart)

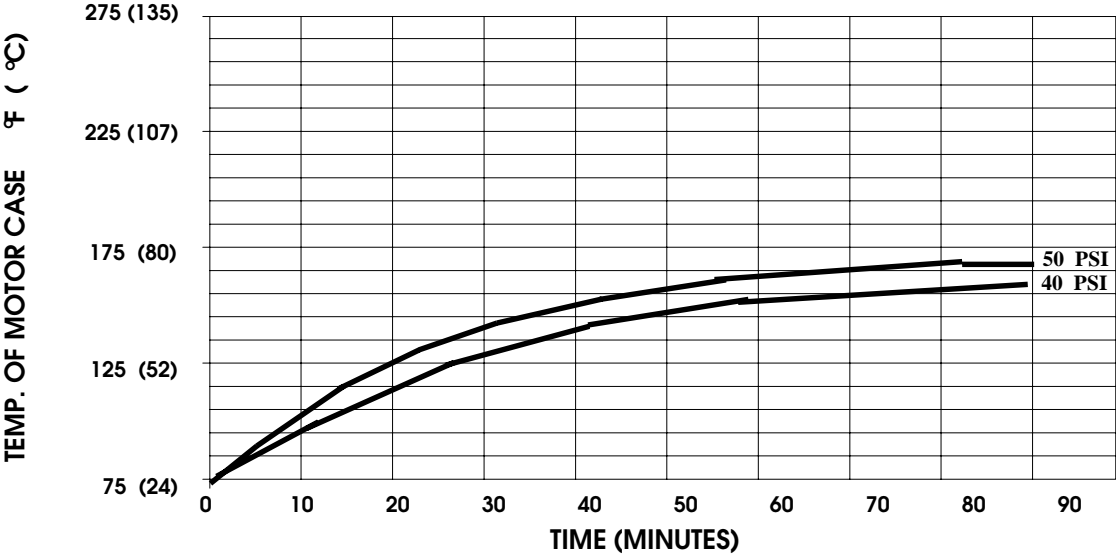
TYPICAL APPLICATIONS: Agricultural Spraying

BYPASS: 45 PSI

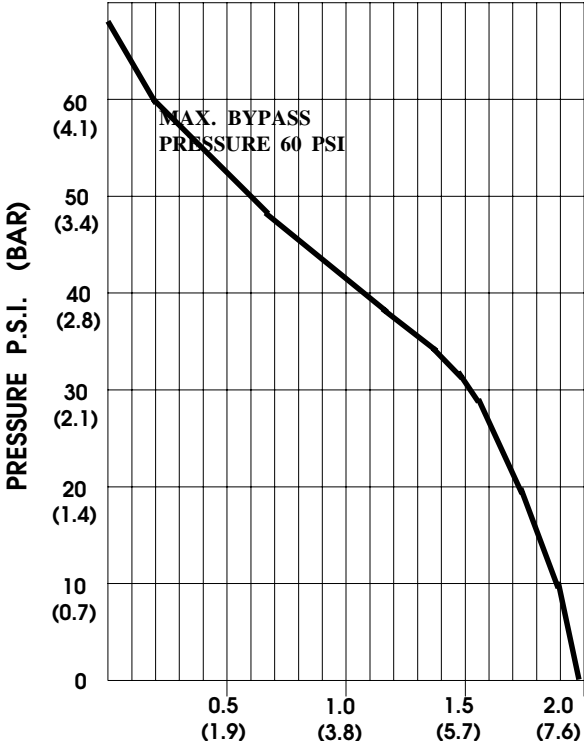
DIMENSIONS:



TEMPERATURE RISE



TYPICAL PERFORMANCE



PRESSURE (PSI)	FLOW (GPM/LIT)	RPM MIN/MAX	CURRENT (AMPS)	VOLTAGE (VOLTS)
OPEN	2.1/7.9	2290/2345	5.0	12 VDC
10	1.95/7.4	2275/2335	5.5	"
20	1.75/6.2	2230/2300	6.3	"
30	1.45/5.4	2190/2255	7.0	"
40	.75/2.8	2165/2230	7.5	"
50	0.16/0.6	2140/2200	7.9	"

FLOW - GALLONS PER MINUTE (LITERS PER MINUTE)

*-SPECIFICATIONS SUBJECT TO CHANGE WITHOUT NOTICE.
 -ALL DATA BASED ON TESTING WITH WATER AT AMBIENT TEMPERATURE.*